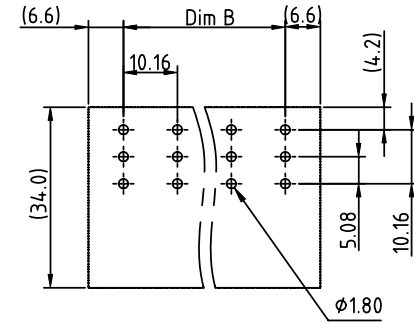
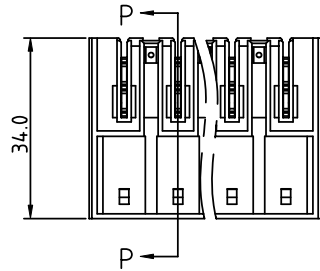
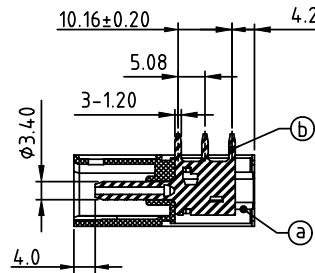
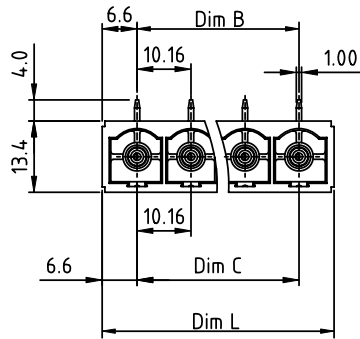


PRODUCT NUMBER	PITCH
EWxx61x200J0G	10.16 mm



RECOMMENDED P.C.B LAYOUT
TOP VIEW



SECTION P-P

Material:

- Item Ⓐ Terminal(housing): Thermoplastic(UL 94 - V0)
- Item Ⓒ Male contact pin: Copper Gold plated

Electrical: cULus

- Voltage rating: 300V
- Current rating: 55A
- Withstanding Voltage: 1.6 KV
- Operating temperature: -40°C to +115°C
- Soldering temperature: 260°C±5°C/5 Sec
- Safety Approval: us

DIMENSION

Dim L	N×10.16+3.04
Dim B	(N-1)×10.16
Dim C	(N-1)×10.16

N=Number of contacts

Poles	Tolerance
2p-5p	±0.25
6p-8p	±0.35
9p-12p	±0.45

PART NO.: EW xx 61 x 2 00J0 G

↓	Color	↓	RoHS compliant
Solid block	0 Black (RAL9005)	1	(lead<4%)
No. of poles	2 Red (RAL3001/D)	2	In copper Alloy
02 2 poles	3 Orange(RAL2011/P)		
03 3 poles	4 Yellow(RAL1018/A)		
...	5 Green(RAL6018/T)		
12 12poles	6 Blue (RAL5015/A)		
	8 Grey(RAL7035/D)		
	9 White(RAL1102)		
	C Green(RAL6018/U)		

mat'l. code		surface ASME Y14.5	tolerance ASME Y14.5	projection 	product family TERMINAL BLOCK
ltr	ecn no	dr	date	tolerances unless otherwise specified	title TERMINAL BLOCK
				angles 	PLUGGABLE SOCKET,PCB UP,CLOSE RIGHT ANGLE
				X±1°	scale
				dr EVIN ZHONG 042314	dwg no
				enr EVIN ZHONG 042314	sheet 1 of 1
				chr HANKE FENG 042314	size A4
				appd SHI JUN 042314	type CUSTOMER Drawing
sheet index	revision sheet	A	1		