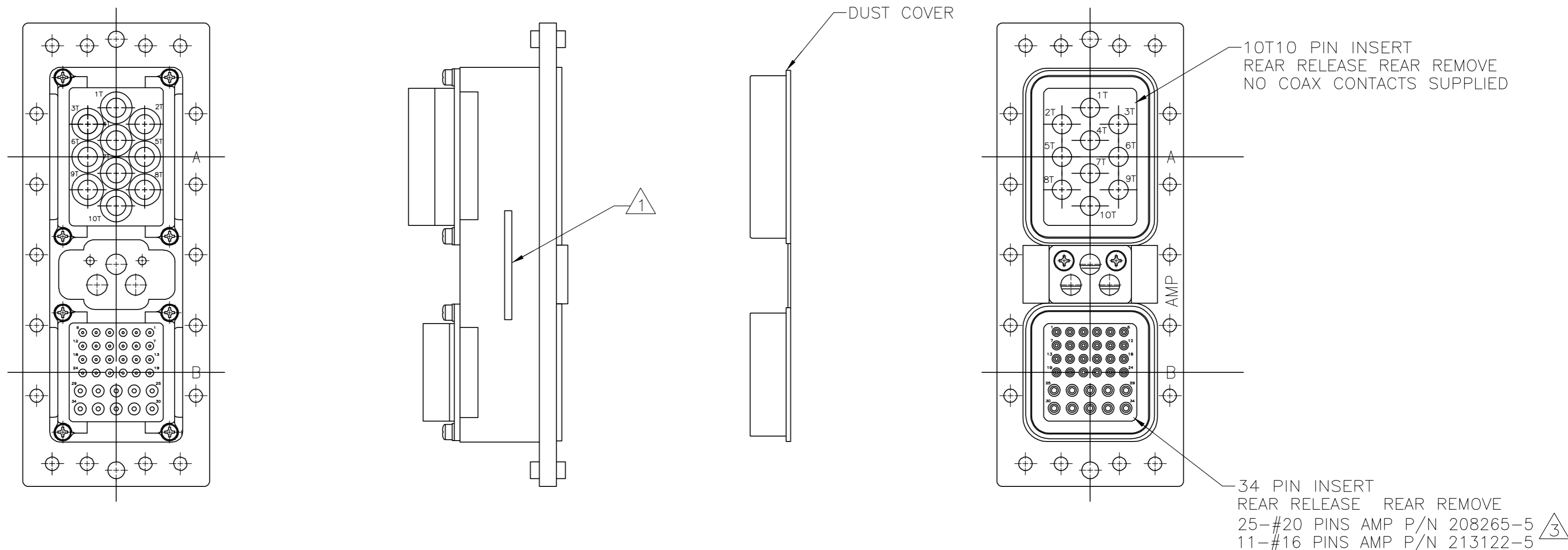


THIS DRAWING IS UNPUBLISHED. RELEASED FOR PUBLICATION  
 © COPYRIGHT BY TYCO ELECTRONICS CORPORATION. ALL RIGHTS RESERVED.

LOC	DIST	REVISIONS			
P	LTR	DESCRIPTION	DATE	DWN	APVD
DF	A0	B	REV PER ECO-06-007200	31MAR06	PY KH



- 1 AMP, AMP PART NUMBER AND DATE CODE MARKED IN AREA SHOWN.
- 2 KEYED IN "01" POSITION.
- 3 PIN CONTACTS SIZES 16 & 20 ARE NOT LOADED IN CONNECTOR. THEY ARE PACKAGED IN SEPARATE CONTAINERS.
- 4 EACH CONNECTOR ASSEMBLY INCLUDES 10 PIECES OF SIZE 8 SEALING PLUGS. THE PLUGS ARE PACKAGED IN SEPARATE CONTAINERS.

WARNING: THIS DOCUMENT CONTAINS TECHNICAL DATA WHOSE EXPORT IS RESTRICTED BY THE ARMS EXPORT CONTROL ACT (TITLE 22, U.S.C. SECTION 2751, ET SEQ.) OR THE EXPORT ADMINISTRATION ACT OF 1979, AS AMENDED (TITLE 50, U.S.C., APP. 2401 ET SEQ.) VIOLATIONS OF THESE EXPORT LAWS ARE SUBJECT TO SEVERE PENALTIES.

1218043-1  
PART NO.

THIS DRAWING IS A CONTROLLED DOCUMENT.		DWN C.C.THOMAS 8-26-97	Tyco Electronics Corporation Harrisburg, Pa 17105-3608																						
DIMENSIONS: INCHES		CHK A.SHARPE 8-26-97																							
TOLERANCES UNLESS OTHERWISE SPECIFIED:		APVD A.SHARPE 8-26-97	NAME RECEPTACLE ASSY,M600,SIZE 2A, M6E2R10T10P34P0001A																						
<table border="0"> <tr><td>0 PLC</td><td>±</td><td>-</td></tr> <tr><td>1 PLC</td><td>±</td><td>-</td></tr> <tr><td>2 PLC</td><td>±</td><td>-</td></tr> <tr><td>3 PLC</td><td>±</td><td>-</td></tr> <tr><td>4 PLC</td><td>±</td><td>-</td></tr> <tr><td>ANGLES</td><td>±</td><td>-</td></tr> <tr><td>FINISH</td><td></td><td></td></tr> </table>		0 PLC	±	-	1 PLC	±	-	2 PLC	±	-	3 PLC	±	-	4 PLC	±	-	ANGLES	±	-	FINISH			PRODUCT SPEC APPLICATION SPEC	SIZE A2	CAGE CODE 00779
0 PLC	±	-																							
1 PLC	±	-																							
2 PLC	±	-																							
3 PLC	±	-																							
4 PLC	±	-																							
ANGLES	±	-																							
FINISH																									
MATERIAL		WEIGHT	DRAWING NO 1218043																						
		CUSTOMER DRAWING	SCALE 1:1	SHEET 1 OF 1																					
			RESTRICTED TO	REV B																					