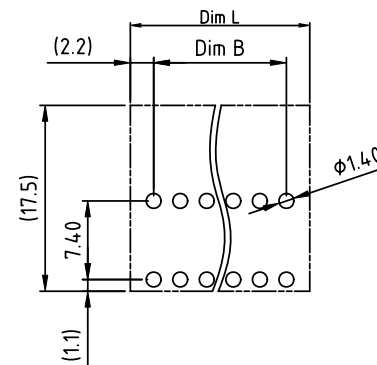
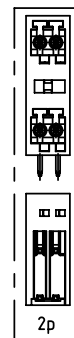
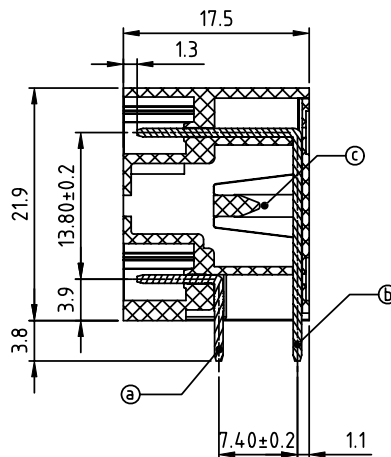
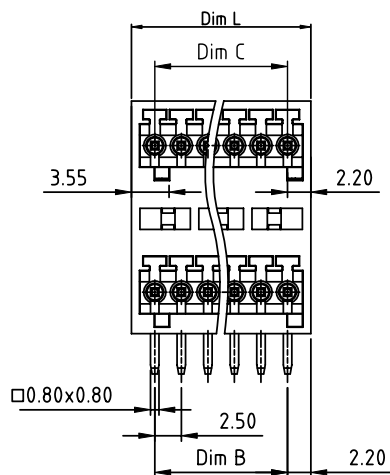


PRODUCT NUMBER	PITCH
VLxxB1x100J0G	2.50 mm



RECOMMENDED P.C.B LAYOUT  
TOP VIEW

Material:

- Item① Short pin: Copper With Tin plated
- Item② Long pin: Copper With Tin plated
- Item③ Terminal (housing): Thermoplastic (UL94V-0)

Electrical cULus

- Voltage rating: 125V
- Current rating: 4A
- Withstanding Voltage: 1.25KV
- Operating temperature: -40°C to +115°C
- Soldering temperature: 260°C±5°C/5 Sec
- Safety Approval:

N=Number of poles

DIM L	$N/2 \times 2.5 + 1.9$
DIM B	$(N/2 - 1) \times 2.5$
DIM C	$(N/2 - 1) \times 2.5$

Poles	Tolerance
2x2p-2x5p	±0.10
2x6p-2x10p	±0.15
2x11p-2x15p	±0.20
2x16p-2x20p	±0.25
2x21p-2x24p	±0.30

PART NO.: VL xx B 1 x 1 00J0 G

Solid block	0	Black (RAL9005)	RoHS compliant
No. of poles	2	Red (RAL3001/D)	(lead<4%)
04 2x2poles	3	Orange(RAL2011/P)	In copper Alloy
06 2x3poles	4	Yellow(RAL1018/A)	
... ..	5	Green(RAL6018/T)	
48 2x24poles	6	Blue (RAL5015/A)	
	8	Grey(RAL7035/D)	
	9	White(RAL1102)	
	C	Green(RAL6018/U)	

mat'l. code		surface ASME Y14.5	tolerance ASME Y14.5	projection 	product family TERMINAL BLOCK
ltr	ecn no	dr	date		title TERMINAL BLOCK
				MM	PLUGGABLE SOCKET, RIGHT ANGLE
				scale	sheet 1 of 1
		dr	EVIN ZHONG	042514	size A4
		enr	EVIN ZHONG	042514	VLxxB1x100J0G
		chr	HANKE FENG	042514	type CUSTOMER Drawing
		appd	SHI JUN	042514	
sheet index	revision sheet	A	1		