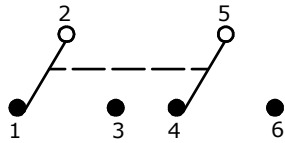


\* DIMENSION TO BE 15.75 - 15.88 FOR PANEL THICKNESS BETWEEN 2.31 - 3.18 mm

RECOMMENDED MOUNTING

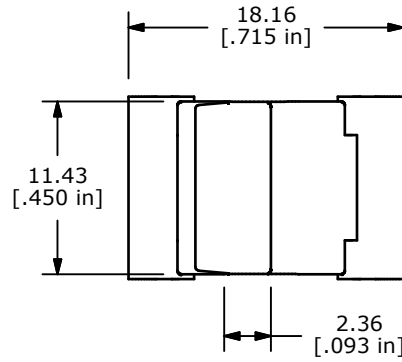
SWITCH FUNCTION		
POS. 1	POS. 2	POS. 3
(ON)	OFF	(ON)
2-3, 5-6	OPEN	2-1, 5-4



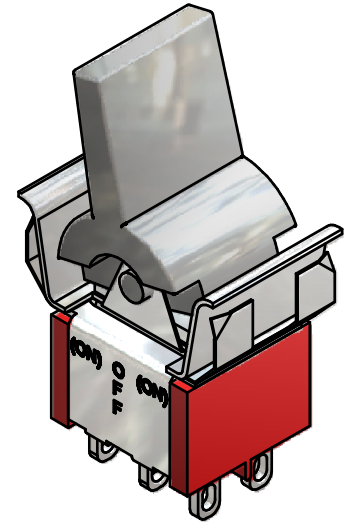
CIRCUIT: DPDT

NOTE:

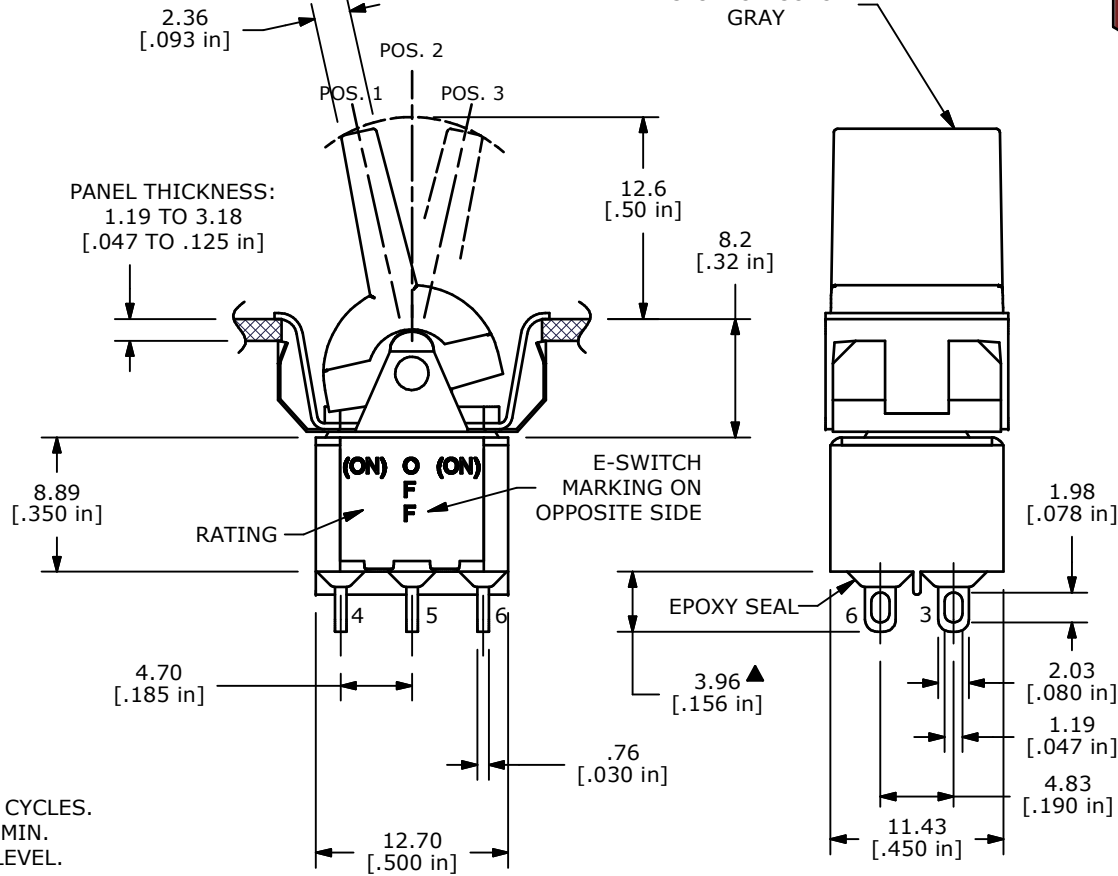
1. ALL DIMENSIONS IN MM [INCH]
2. GENERAL TOLERANCE: X.X=±0.4  
X.XX=±0.25
3. TERMINAL NUMBERS FOR REF ONLY
- ▲ 4. PLATING MATERIAL: SILVER
5. RATING: 5 AMPS @120VAC (OR 28VDC)  
2 AMPS @250VAC
6. CONTACT RESISTANCE: 10 MILLI-OHMS MAX.
7. MECHANICAL LIFE: 40,000 MAKE-AND-BREAK CYCLES.
8. INSULATION RESISTANCE: 1,000 MEGA-OHM MIN.
9. DIELECTRIC STRENGTH: 1,000 V RMS @SEA LEVEL.
10. OPERATING TEMP.: -30°C to 85°C
11. ▲ DENOTES CRITICAL PARAMETER.



ISOMETRIC



▲ ACTUATOR COLOR: GRAY



TITLE 300DP4R8GRYM1QE

A	18655	RELEASED FOR PRODUCTION	9/18/09	BLR
REV	PCR NO	DESCRIPTION	DATE	BY

SCALE	DATE	DR	DWG	REV
2:1	9/18/2009	BLR	T324076	A

THE INFORMATION CONTAINED IN THIS DOCUMENT IS PROPRIETARY TO E-SWITCH AND IS NOT TO BE COPIED OR TRANSFERRED