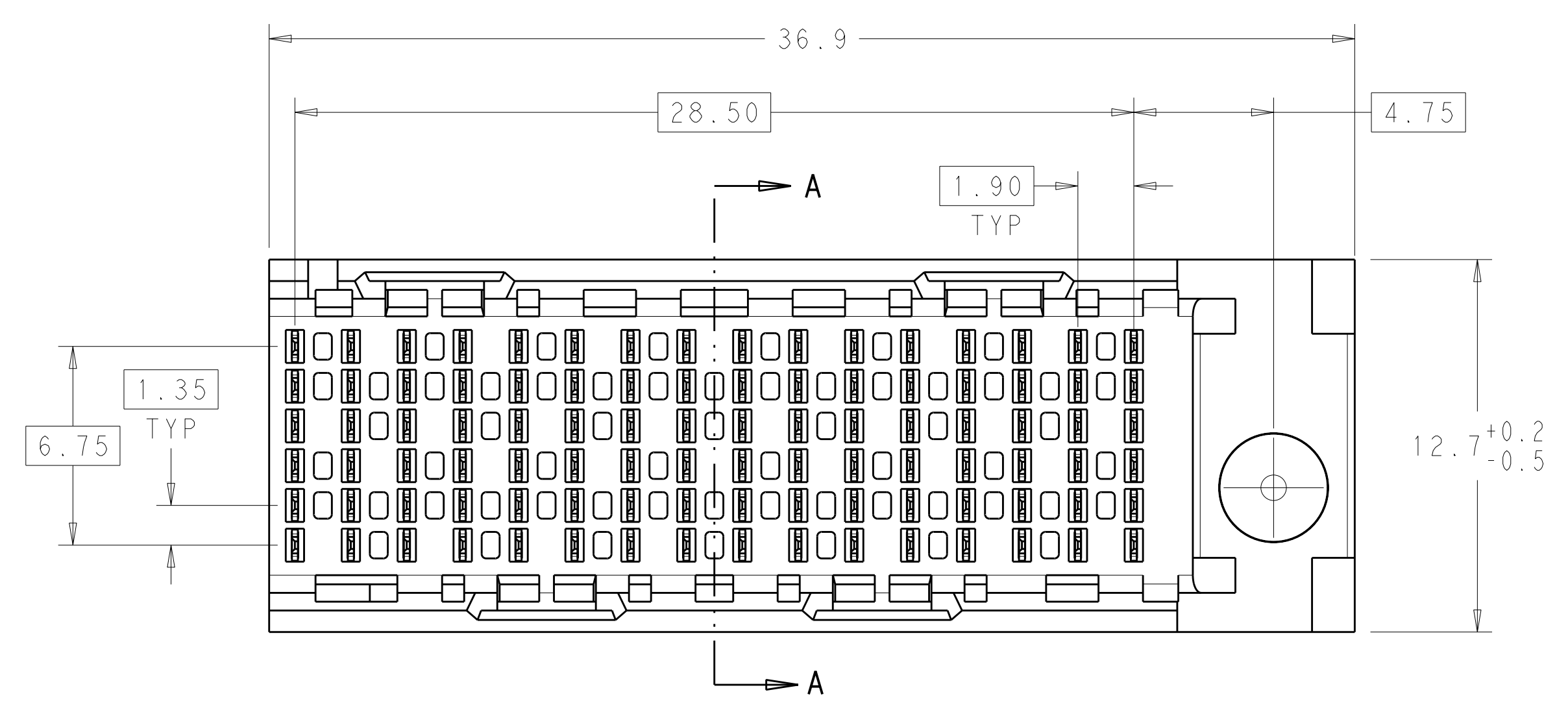
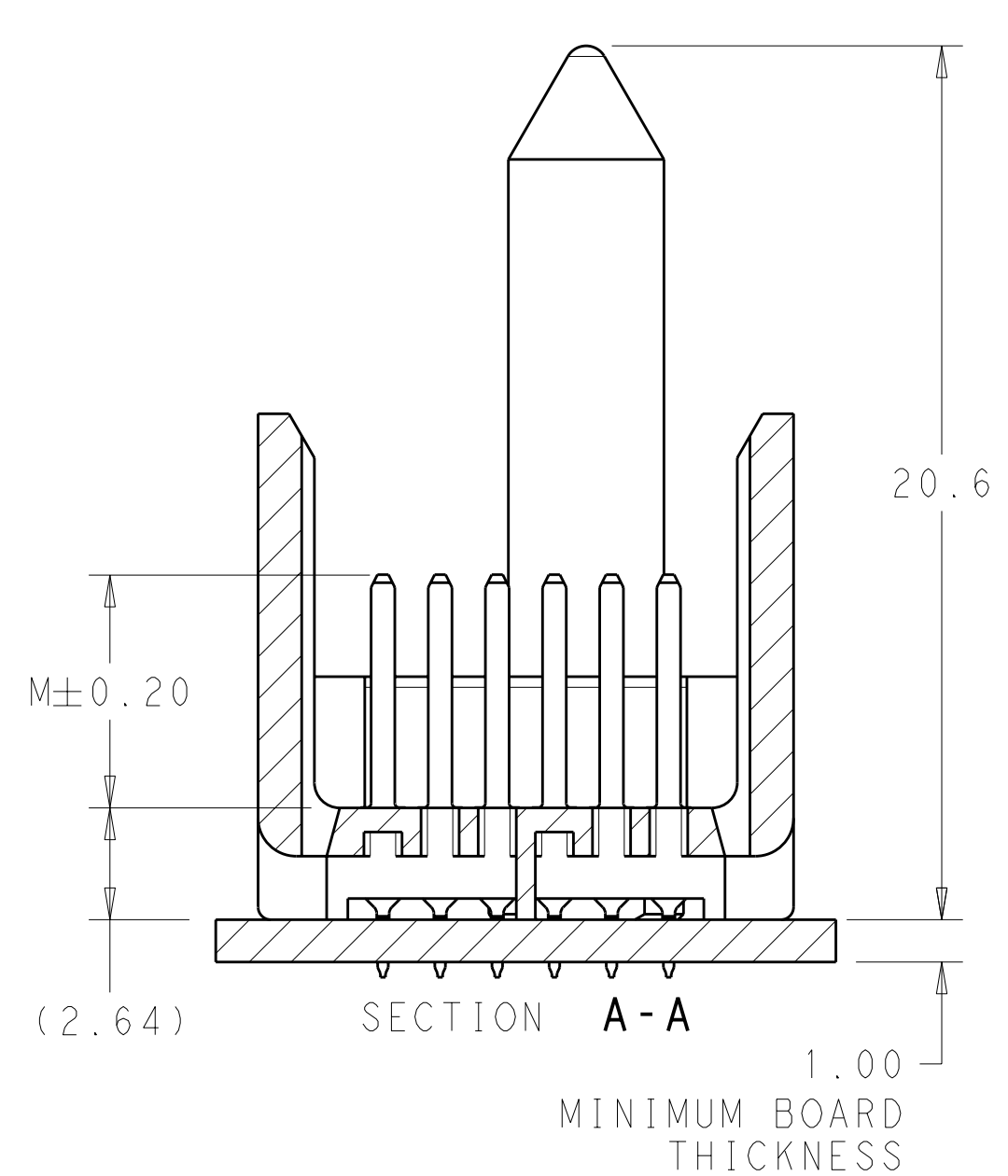
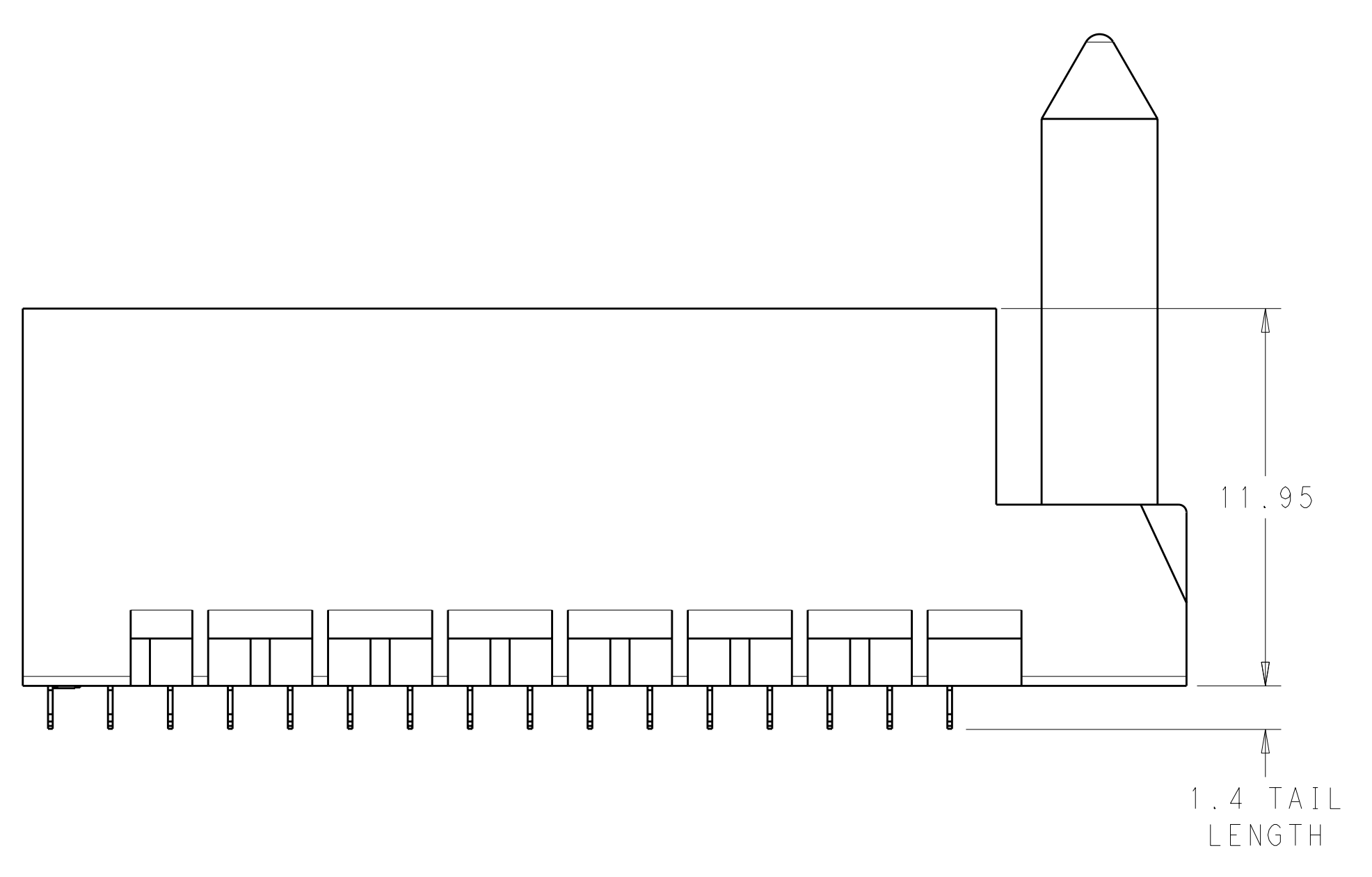
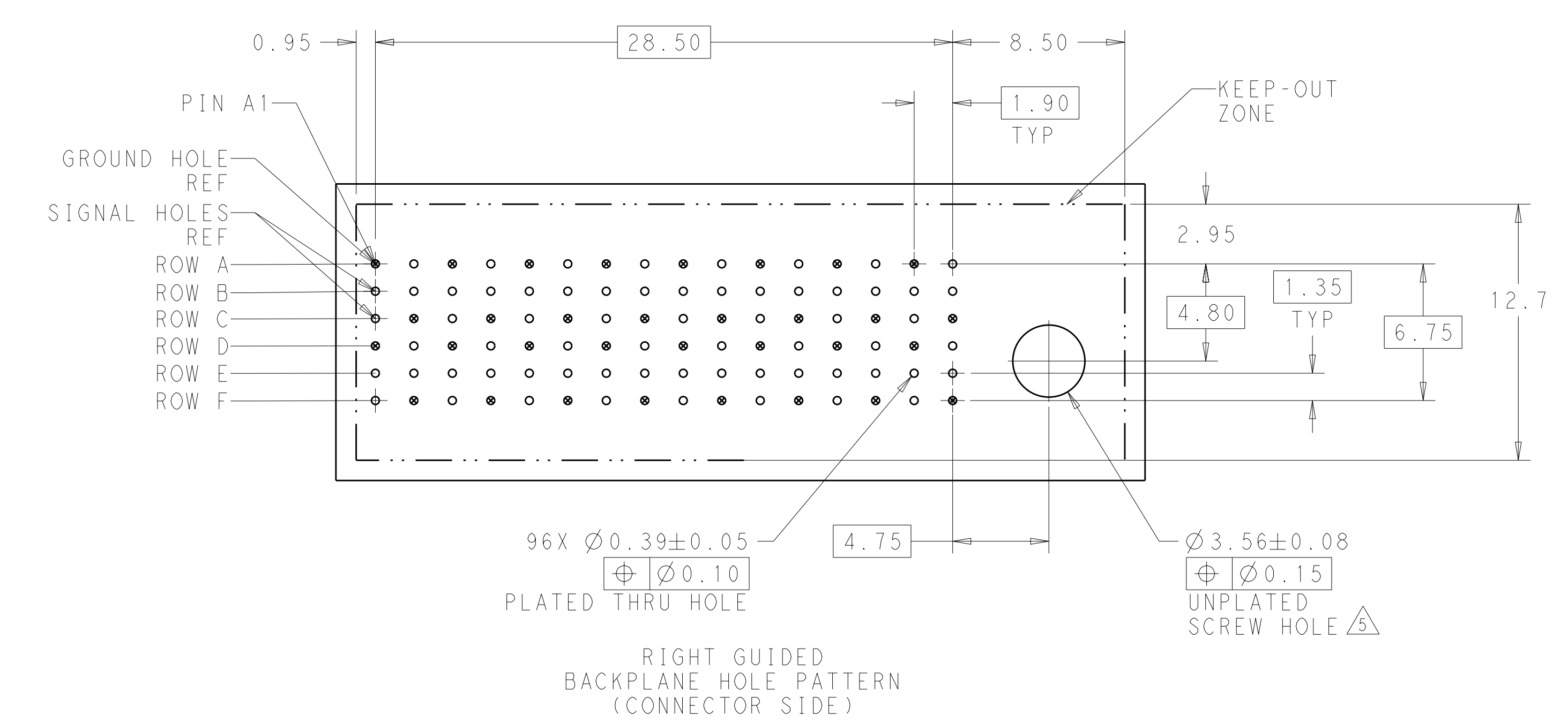
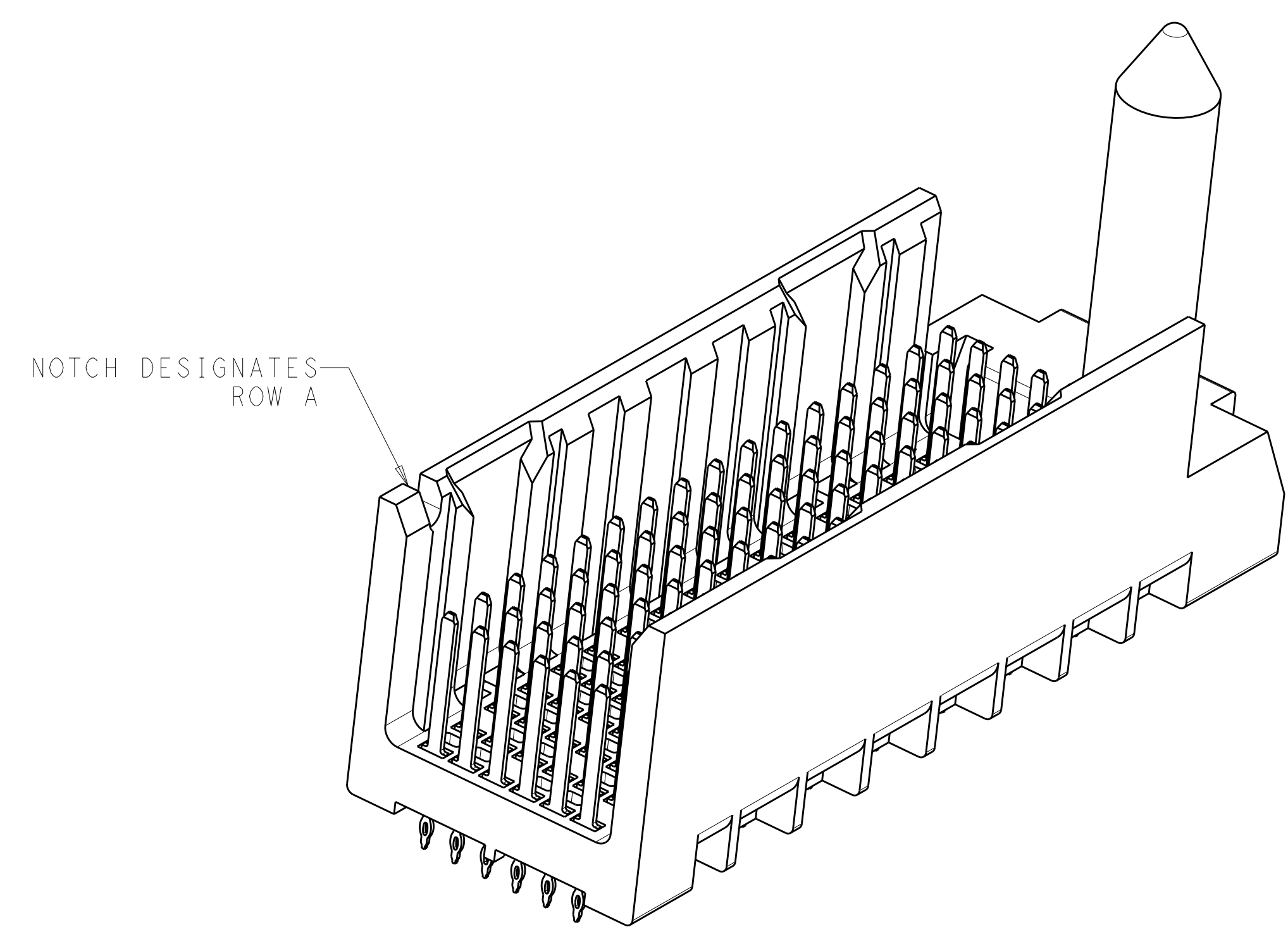


LOC	DIST	REV	DATE	BY	APPD
AD	00	B	05JAN2012	KH	DY
REVISIONS			DESCRIPTION	DATE	DWN
			REVISD PER ECO-11-025276		



- 1 MATERIAL:  
HOUSING: LCP, GLASS FILLED, UL94V-0.  
TERMINALS: HIGH PERFORMANCE COPPER ALLOY.
- 2 FINISH:  
30μ" MIN GOLD IN CONTACT AREA. SELECTIVE TIN  
ON PCB TAILS, NICKEL OVERALL.
- 3 FINISH:  
30μ" MIN GOLD IN CONTACT AREA. SELECTIVE TIN-LEAD  
ON PCB TAILS, NICKEL OVERALL.
- 4. SCREWS PACKAGED IN END OF PACKAGING TUBE.
- 5 FOR GROUNDED GUIDE PIN USE Ø3.56±0.08 PTH,  
Ø3.66 DRILL, AND Ø6.5 PAD.



THIS DRAWING IS A CONTROLLED DOCUMENT.		DWN J. K. SHOBER 31JAN2011	TE Connectivity
DIMENSIONS: mm		CHK J. EBY 31JAN2011	
TOLERANCES UNLESS OTHERWISE SPECIFIED:		APVD J. EBY 31JAN2011	NAME IMPACT, 2 PAIR, 16 COLUMN, HEADER
9 PLC ±	0.25	PRODUCT SPEC	RIGHT GUIDED, OPEN END WALL
5 PLC ±	0.13	APPLICATION SPEC	SIGNAL MODULE, 0.39 PTH
4 PLC ±		SIZE CAGE CODE DRAWING NO	A100779C=2057741
ANGLES ±		WEIGHT	RESTRICTED TO
FINISH SEE TABLE		CUSTOMER DRAWING	SCALE 6:1 SHEET 1 OF 2 REV B

THIS DRAWING IS UNPUBLISHED. RELEASED FOR PUBLICATION 20  
 © COPYRIGHT 20 . . . ALL RIGHTS RESERVED.

LOC	DIST	REVISIONS					
AD	00	P	LTG	DESCRIPTION	DATE	DWN	APVD
		-	-	SEE SHEET 1	-	-	-

	5.5	2057741-6
	4.9	2057741-5
	4.5	2057741-4
	5.5	2057741-3
	4.9	2057741-2
	4.5	2057741-1
FINISH	DIM M	PART NUMBER

REFER TO WWW.TE.COM  
FOR PRODUCT AVAILABILITY

THIS DRAWING IS A CONTROLLED DOCUMENT.		DWN J. K. SHOBER 31 JAN 2011		TE Connectivity
DIMENSIONS: mm		CHK J. EARY 31 JAN 2011		NAME IMPACT, 2 PAIR, 16 COLUMN, HEADER RIGHT GUIDED, OPEN END WALL SIGNAL MODULE, 0.39 PTH
TOLERANCES UNLESS OTHERWISE SPECIFIED: 9 PLC ± 7 PLC ±0.25 5 PLC ±0.13 4 PLC ± ANGLES ± FINISH SEE TABLE		APVD J. EARY 31 JAN 2011	PRODUCT SPEC	RESTRICTED TO
MATERIAL		APPLICATION SPEC	SIZE CAGE CODE DRAWING NO A100779C=2057741	WEIGHT
		WEIGHT	CUSTOMER DRAWING	SCALE 5:1 SHEET 2 OF 2 REV B