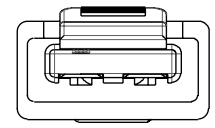
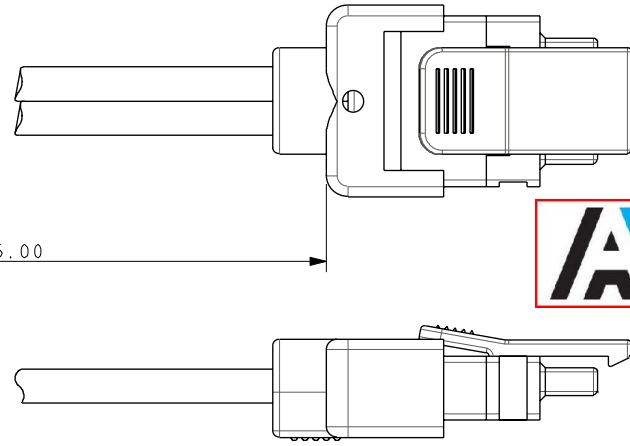
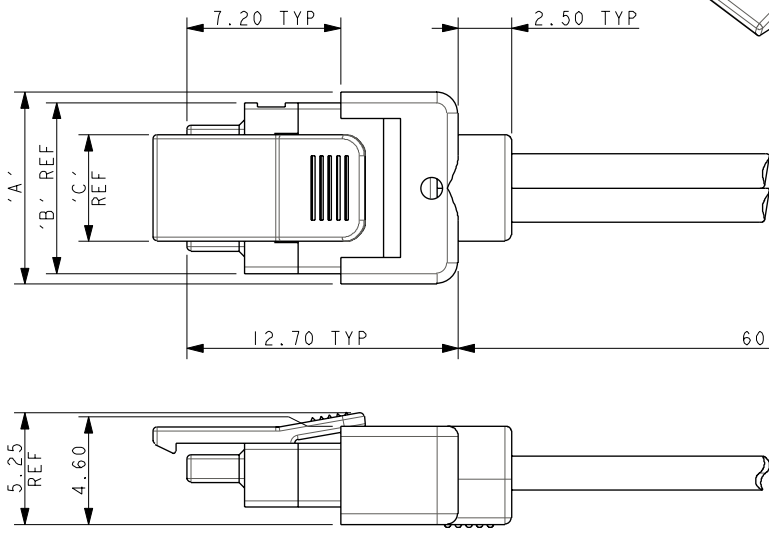
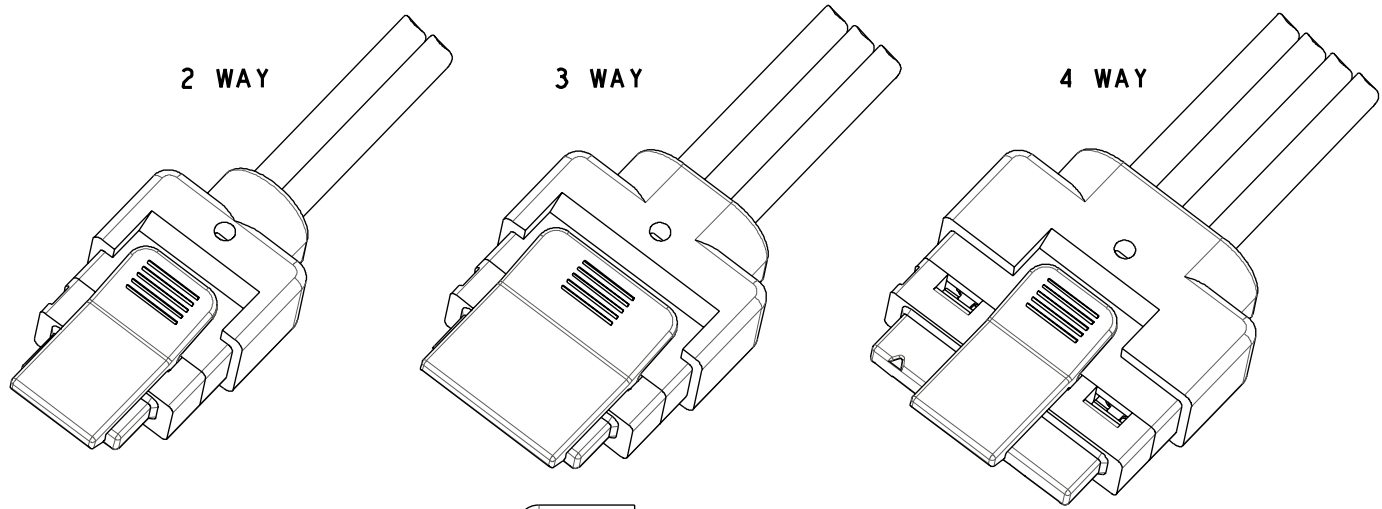




Elco Europe (A Division of AVX Ltd) CONFIDENTIAL PROPRIETY
 The document on this print and information therewith are PROPRIETY
 to Elco Europe (A Division of AVX Ltd) and shall not be copied
 or disclosed in whole or in part without Elco Europe's written consent.



AVX CONTROLLED RELEASE

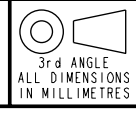
CABLE ASSEMBLY	No OF WAYS	'A'	'B'	'C'
58-9159-002-060-020	2	9.00	8.00	5.00
58-9159-003-060-020	3	12.00	11.00	8.00
58-9159-004-060-020	4	15.00	14.00	5.00

- NOTES :-
1. 9159 CABLE ASSEMBLY WITH LATCHES, LENGTH 600mm, COLOUR WHITE.
 2. WIRE 22AWG, STRANDED, WHITE PVC INSULATION.
 3. CONNECTOR INCLUDING LATCH FOR SECURE MOUNTING.
 4. CABLE ASSEMBLY SUPPLIED COILED IN A SEALED BAG.
 5. REFER TO ELCO SPECIFICATION 201-01-119 FOR FURTHER INFORMATION ON CONNECTORS.
 7. GENERAL TOLERANCE ± 0.50 UNLESS SPECIFIED.

FORM-106-01-056-2 ISS-7

Release No.
 History
 102777
 20.07.2011

ELCO EUROPE (A DIVISION OF AVX LTD.) CONFIDENTIAL PROPRIETARY
 THE DRAWING ON THIS PRINT AND INFORMATION THEREWITH ARE
 PROPRIETARY TO ELCO EUROPE (A DIVISION OF AVX LTD.) AND
 SHALL NOT BE USED OR DISCUSSED IN WHOLE OR IN PART
 WITHOUT ELCO EUROPE'S WRITTEN CONSENT.



ELCO
 © COPYRIGHT ELCO EUROPE
 NOT TO BE DISCLOSED OR COPIED
 WITHOUT WRITTEN PERMISSION

Drawn
 N.C.H.
 Size
BV

Description
 9159 CABLE ASSY - OVERMOULDED - 600mm
 Part Number
 58-9159-00X-060-020S

DATE
 20-Jul-11
 Issue
A