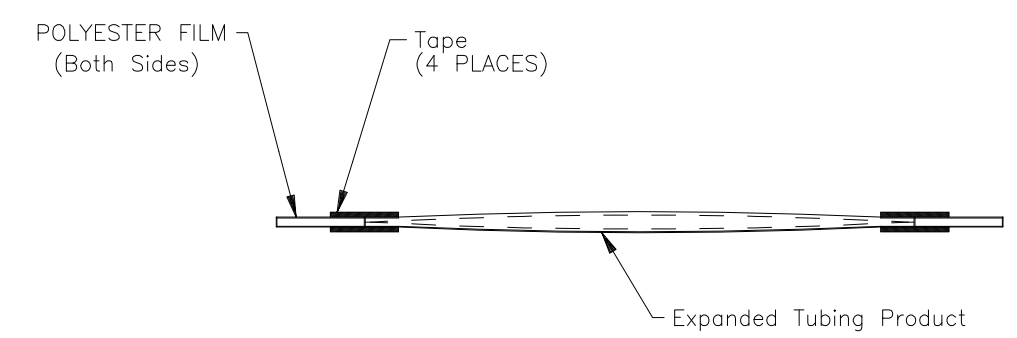
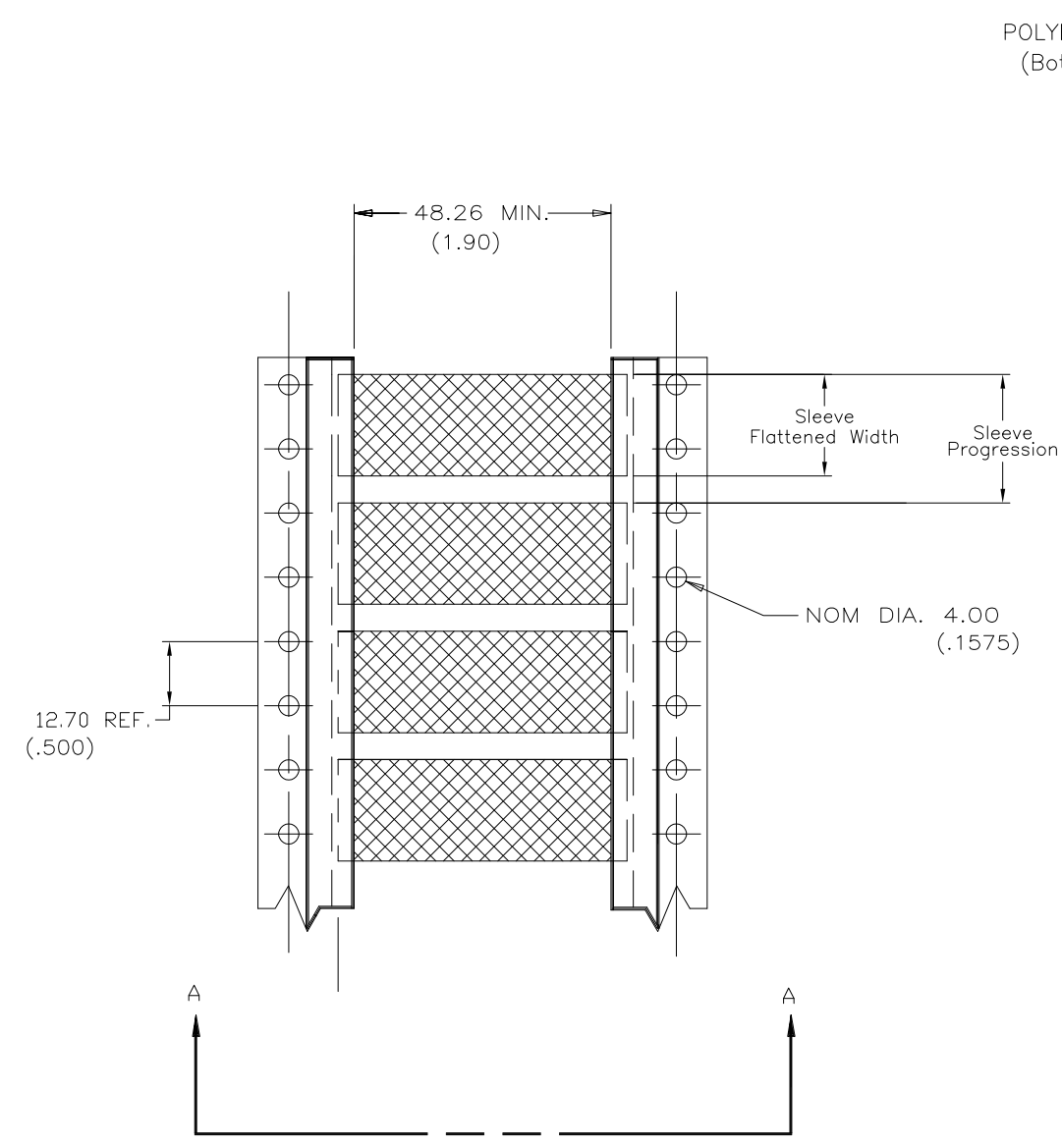
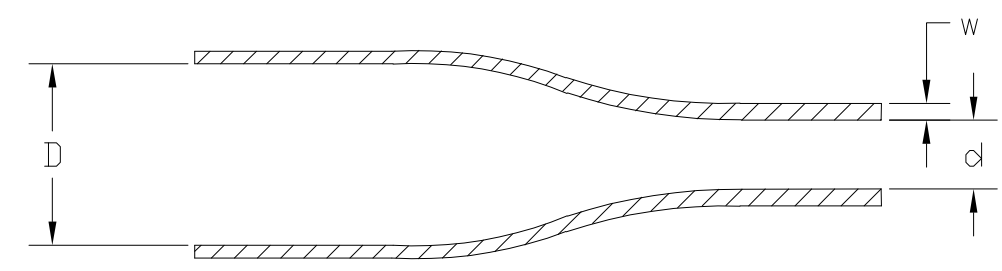



THIS DRAWING IS UNPUBLISHED. RELEASED FOR PUBLICATION  
 © COPYRIGHT - By - ALL RIGHTS RESERVED.

LOC	DIST	REVISIONS			
P	LTR	DESCRIPTION	DATE	DWN	APVD
	D	MODIFIED REF. ECR-14-012590	18FEB2015	AFK	SR



Product Size	3/32	1/8	3/16	1/4	3/8	1/2	3/4	1
Nominal Sleeve Flattened Width	4.32 (.170)	5.84 (.230)	8.00 (.315)	10.67 (.420)	15.49 (.610)	20.45 (.805)	30.78 (1.20)	40.39 (1.59)
Nominal Sleeve Progression	12.70 (.500)	12.70 (.500)	12.70 (.500)	16.94 (.667)	25.40 (1.00)	29.64 (1.17)	42.34 (1.67)	50.8 (2.00)
"D" Minimum Supplied I.D.	2.36 (.093)	3.18 (.125)	4.75 (.187)	6.35 (.250)	9.53 (.375)	12.70 (.500)	19.05 (.750)	25.4 (1.00)
"d" Maximum Recovered I.D.	1.17 (.046)	1.57 (.062)	2.36 (.093)	3.18 (.125)	4.75 (.187)	6.35 (.250)	9.53 (.375)	12.7 (.500)
"w" Recovered wall ±0.08 (±.003)	0.51 (.020)	0.51 (.020)	0.51 (.020)	0.64 (.025)	0.64 (.025)	0.64 (.025)	0.76 (.030)	0.89 (.035)



THIS DRAWING IS A CONTROLLED DOCUMENT.		DWN AFK 08NOV2013	 TE Connectivity	
DIMENSIONS: mm		CHK -		
TOLERANCES UNLESS OTHERWISE SPECIFIED:		APVD -	TMS-SCE-2X	
0 PLC ± -		PRODUCT SPEC -	-	
1 PLC ± -		APPLICATION SPEC -	-	
2 PLC ± -		SIZE	CAGE CODE	DRAWING NO
3 PLC ± -		A3 06090		©-MCD160008
4 PLC ± -		CUSTOMER DRAWING		RESTRICTED TO
ANGLES ± -		SCALE 1:1		SHEET 1 OF 1
MATERIAL CROSSLINKED POLYOLEFIN		FINISH -		REV D