

6

5

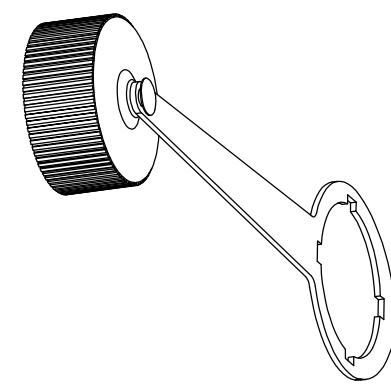
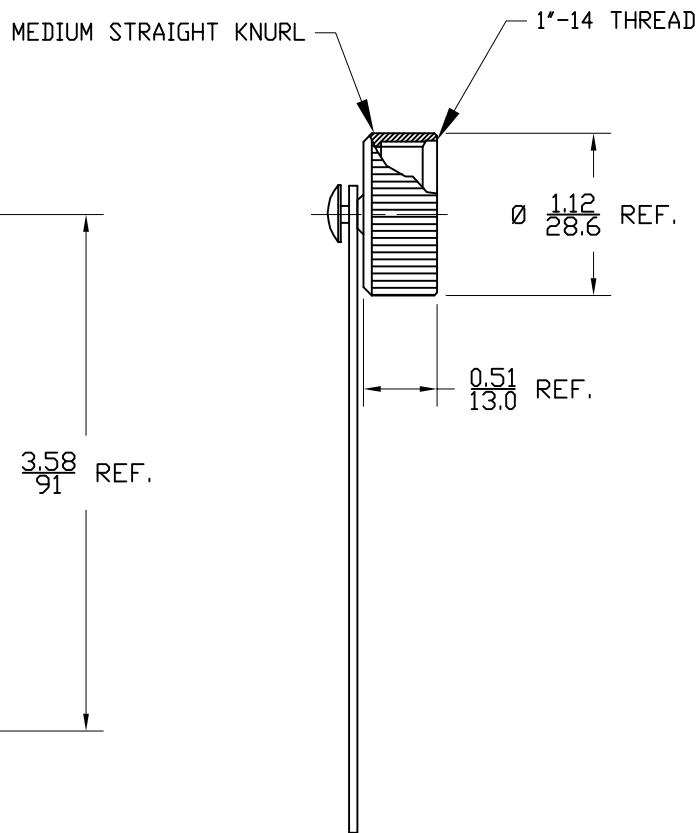
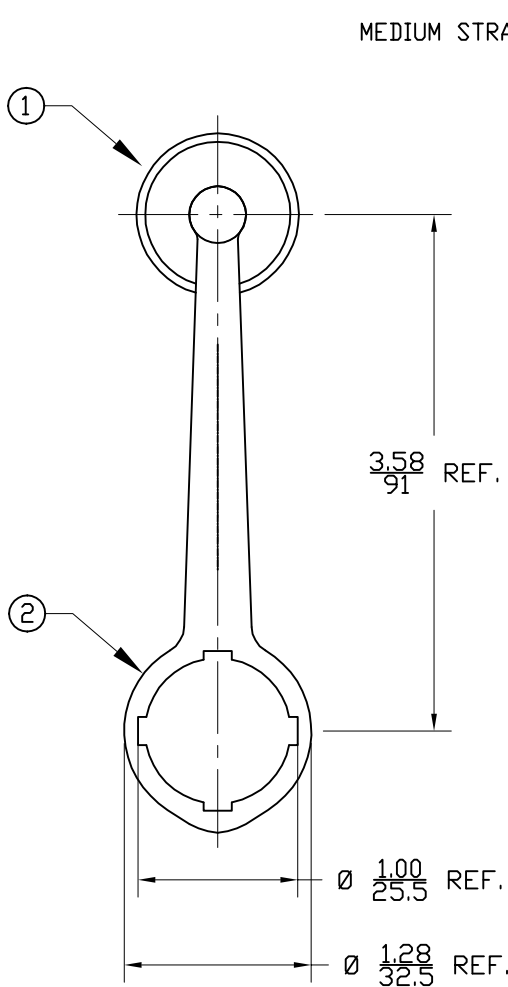
4

3

2

1

SAP P/N#	ENGINEERING NO.
1300580035	67-0300



- NOTES:
- 1) MATERIAL: SEE TABLE
 - 2) FINISHES: SEE TABLE
 - 3) ENVIRONMENTAL PROTECTION: IP67 U/V STABLE
 - 4) ASSEMBLY IS RoHS COMPLIANT.

ITEM	QTY.	DESCRIPTION	MATERIAL	FINISH
2	1	LANYARD	RUBBER	BLACK
1	1	CLOSURE CAP	NYLON	BLACK

SD RELEASE
 EC NO: WNA2010-0167
 DRWN: BWOODMAN
 CHKD: JFJ
 APPR: JFMURPHY 2009/09/11

QUALITY SYMBOLS
 ▽=0
 ▽C=0

GENERAL TOLERANCES (UNLESS SPECIFIED)

	mm	INCH
4 PLACES	±---	±---
3 PLACES	±---	±.005
2 PLACES	±---	±.010
1 PLACE	±---	±.020

ANGULAR ±1°
 DRAFT WHERE APPLICABLE
 MUST REMAIN
 WITHIN DIMENSIONS

DIMENSION STYLE
 INCH/MM

DRAWN BY: VOU DATE: 2009/08/27
 CHECKED BY: BWOODMAN DATE: 2009/08/31
 APPROVED BY: JFMURPHY DATE: 2009/09/11

MATERIAL NO.
 SEE CHART

SIZE
 A

SCALE: 3:4
 DESIGN UNITS: INCH
 THIRD ANGLE PROJECTION

TITLE: FEM RJLNXX CAP W/ LNYRD

MOLEX INCORPORATED
 DOCUMENT NO. SD-130058-003
 SHEET NO. 1 OF 1

THIS DRAWING CONTAINS INFORMATION THAT IS PROPRIETARY TO MOLEX INCORPORATED AND SHOULD NOT BE USED WITHOUT WRITTEN PERMISSION

6

5

4

3

2

1