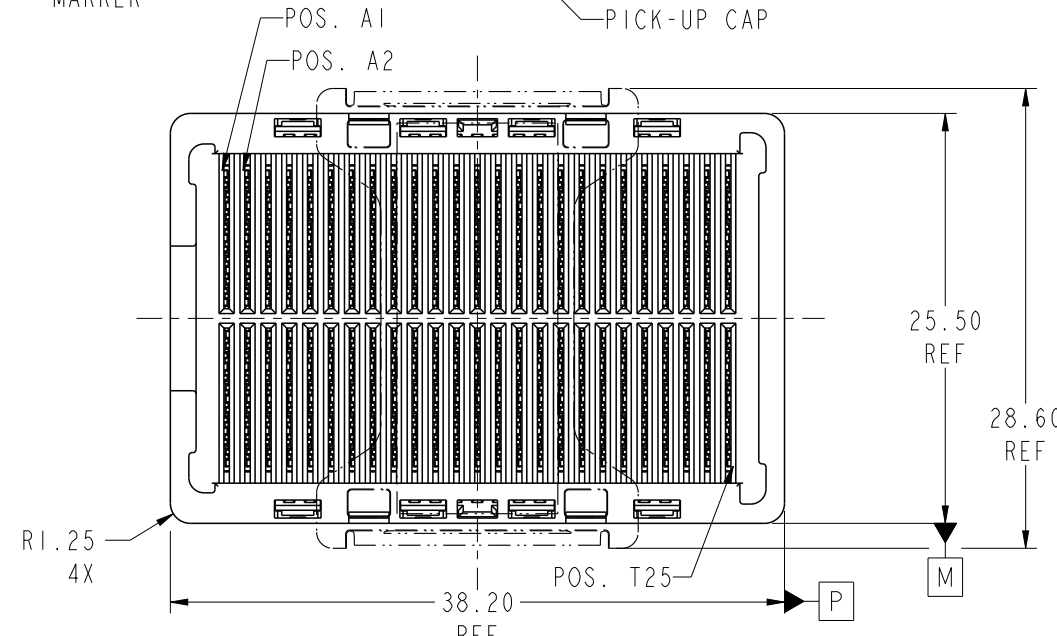
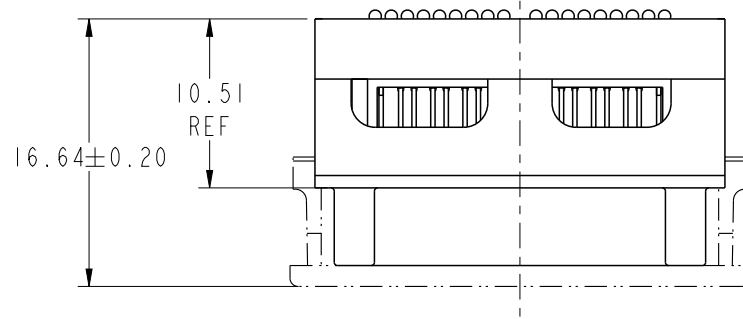
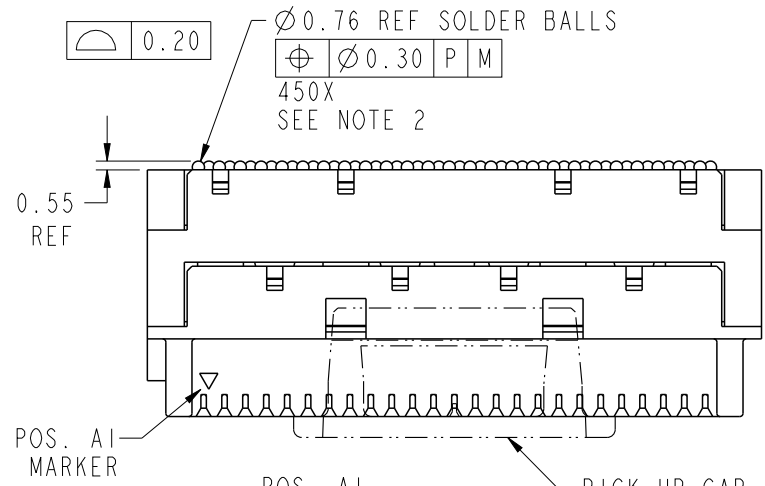


rev	ecn no	dr	date
A	V07-0606	LP	2007/09/19

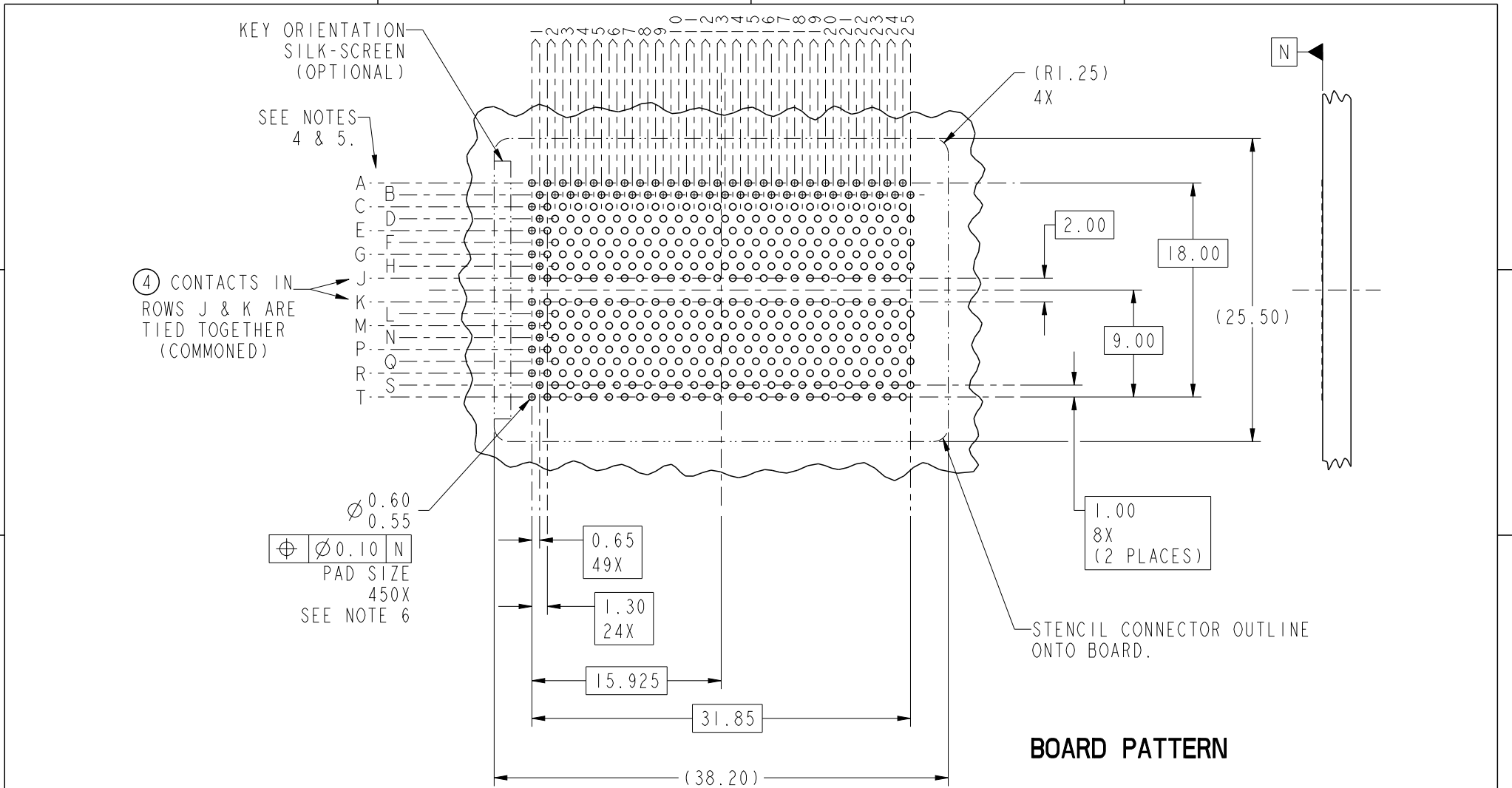


spec ref	-	dr	Bill Lin	2010/02/02	projection	mm	size	A4	scale	21:10												
tolerance std	ASME Y14.5	eng	Nickor Zuo	2011/06/20			ecn no		ELX-DG-003943-1													
	TOLERANCES UNLESS OTHERWISE SPECIFIED	chr	Alex Cao	2011/06/24			rel level		Released													
surface	<table border="1"> <tr> <td>linear</td> <td>0.X</td> <td>±0.30</td> </tr> <tr> <td></td> <td>0.XX</td> <td>±0.10</td> </tr> <tr> <td></td> <td>0.XXX</td> <td>±0.05</td> </tr> <tr> <td>angular</td> <td>0°</td> <td>±2°</td> </tr> </table>	linear	0.X	±0.30		0.XX	±0.10		0.XXX	±0.05	angular	0°	±2°	appr	Pei-Ming Zheng	2011/06/27	product family		GIG-Array		rev	B
linear	0.X	±0.30																				
	0.XX	±0.10																				
	0.XXX	±0.05																				
angular	0°	±2°																				
				title GIG-Array 11mm RECP. ASSY. 200 SIG. POS.		dwg no 10081496		Product - Customer Drw		sheet 1 of 5												
		www.fci.com		cat. no.		Product - Customer Drw		sheet 1 of 5														

ProjE File - REV C - 2009-06-09



Copyright FCI.



spec ref	-	dr	Bill Lin	2010/02/02	projection	mm	size	A4	scale	21:10												
tolerance std	ASME Y14.5	eng	Nickor Zuo	2011/06/20			ecn no		ELX-DG-003943-1													
TOLERANCES UNLESS OTHERWISE SPECIFIED		chr	Alex Cao	2011/06/24			rel level		Released													
surface	<table border="1"> <tr><td>linear</td><td>0.X</td><td>±0.30</td></tr> <tr><td></td><td>0.XX</td><td>±0.10</td></tr> <tr><td></td><td>0.XXX</td><td>±0.05</td></tr> <tr><td>angular</td><td>0°</td><td>±2°</td></tr> </table>	linear	0.X	±0.30		0.XX	±0.10		0.XXX	±0.05	angular	0°	±2°	appr	Pei-Ming Zheng	2011/06/27	product family		GIG-Array		rev	B
linear	0.X	±0.30																				
	0.XX	±0.10																				
	0.XXX	±0.05																				
angular	0°	±2°																				
				title		GIG-Array		dwg no		10081496												
		www.fci.com		cat. no.		Product - Customer Drw		sheet 2 of 5														

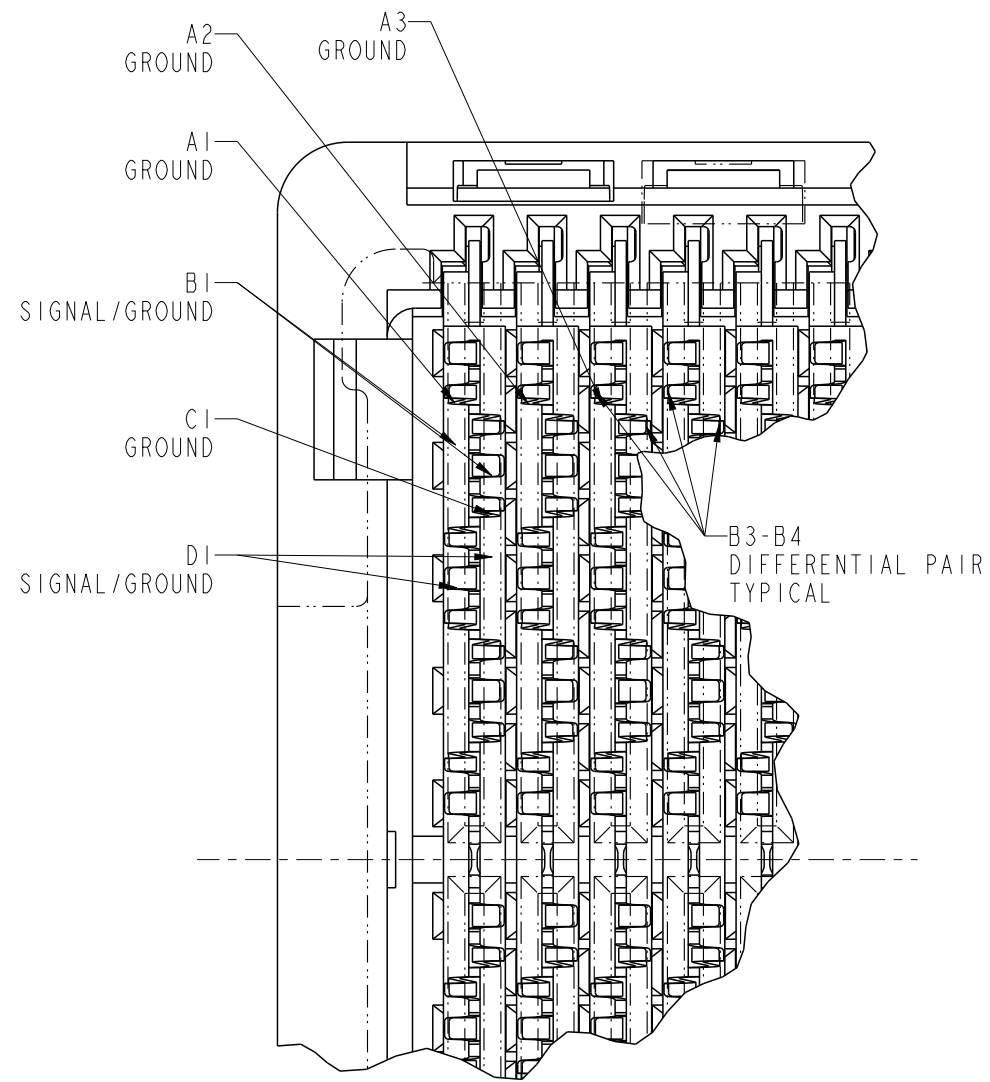
PrdE File - REV C - 2009-06-09

A

B

C

D



RECEPTACLE INTERFACE DESCRIPTION

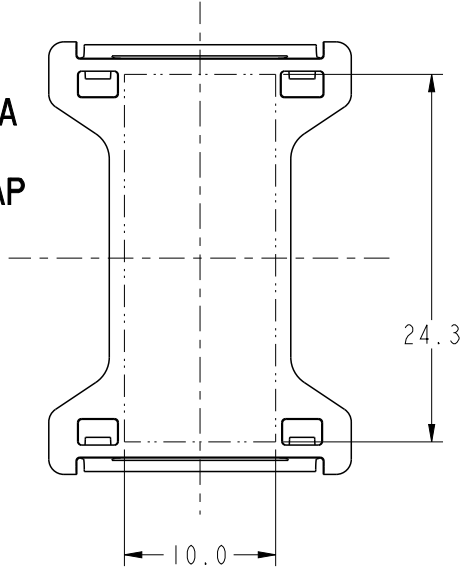


Copyright FCI.

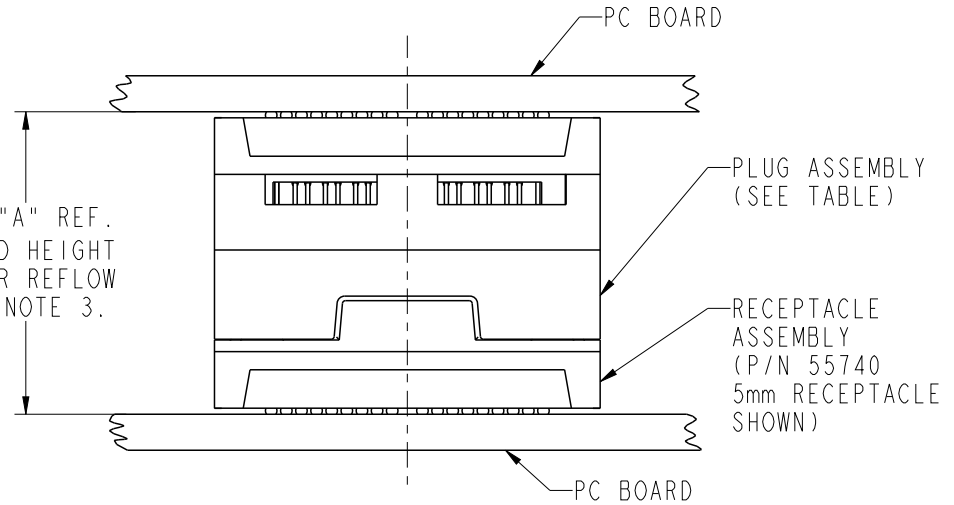
spec ref		-		dr	Bill Lin	2010/02/02	projection 	mm 	size	A4	scale	21:10
tolerance std		ASME Y14.5		eng	Nickor Zuo	2011/06/20			ecn no	ELX-DG-003943-1		
-		TOLERANCES UNLESS OTHERWISE SPECIFIED		chr	Alex Cao	2011/06/24			rel level		Released	
-		-		appr	Pei-Ming Zheng	2011/06/27			product family		GIG-Array	
surface	✓	linear	0.X	±0.30		title GIG-Array 11mm RECP. ASSY. 200 SIG. POS.	dwg no 10081496	rev B	-			
			0.XX	±0.10					www.fci.com			
			0.XXX	±0.05					cat. no.			
-		angular	0°	±2°	Product - Customer Drw		sheet 3 of 5					

PreE File - REV C - 2009-06-09

**FLAT AREA FOR PICK-UP CAP**  
SCALE 2:1



DIM "A" REF.  
MATED HEIGHT  
AFTER REFLOW  
SEE NOTE 3.



**END VIEW OF MATED CONNECTORS**  
SCALE 2:1

DIM. "A"	PLUG ASSEMBLY P/N
21	55737
23	10026802
24	10055142
26	55738
31	55739
36	10054783



Copyright FCI.

spec ref		-		dr	Bill Lin	2010/02/02	projection 	mm 	size	A4	scale	1:10	
tolerance std	ASME Y14.5	TOLERANCES UNLESS OTHERWISE SPECIFIED				eng			Nickor Zuo	2011/06/20	ecn no	ELX-DG-003943-1	
						chr			Alex Cao	2011/06/24		rel level	Released
surface	✓	linear	0.X	±0.30	FCI 	title			GIG-Array		dwg no		10081496
			0.XX	±0.10									
			0.XXX	±0.05									
		angular	0°	±2°	www.fci.com	cat. no.	Product - Customer Drw			sheet 4 of 5			

PRODUCT NUMBER	SOLDER BALL COMPOSITION	CONTACT PLATING PERFORMANCE LEVEL
10081496-001	STANDARD (EUTECTIC)	PERFORMANCE-BASED PLATING, QUALIFIED TO MEET THE REQUIREMENTS OF FCI PRODUCT SPECIFICATION GS-12-192, INCLUDING TELCORDIA CENTRAL OFFICE  Au over Ni
10081496-001LF	LEADFREE	
10081496-201	STANDARD (EUTECTIC)	
10081496-201LF	LEADFREE	

NOTES:

- ①. MATERIAL:  
HOUSING: LCP  
CONTACT: COPPER ALLOY  
PLATING (CONTACT): Au OVER Ni.  
UL RATING: 94 V-0  
SOLDER BALL: (SEE TABLE) EUTECTIC SnPb OR LEAD FREE 95.5 Sn/4Ag/0.5Cu.
- ②. SOLDER BALLS WILL NOT BE PERFECT SPHERICAL SHAPE DUE TO REFLOW ATTACHMENT.
- ③. MATED HEIGHT EFFECTED BY CUSTOMERS' PCB PAD SIZE, PLATING, SOLDER REFLOW PROFILE & SOLDER PASTE.
- ④. CONTACTS IN ROWS A, C, E, G, J, K, M, P, R AND T ARE SINGLE BEAM CONTACTS, USED AS GROUND PINS.  
(NOTE: CONTACTS IN ROWS J & K ARE TIED TOGETHER [COMMONED])
- ⑤. CONTACTS IN ROWS B, D, F, H, L, N, Q AND S ARE DUAL BEAM CONTACTS, TYPICALLY USED AS SIGNAL PINS.

NOTES:

- ⑥. SPECIFIED POSITIONAL TOLERANCE DEFINES PAD TO PAD LOCATION WITHIN LAND PATTERN. POSITIONAL TOLERANCE OF LAND PATTERN TO FUDICIAL MARKS OR PCB DATUMS SHALL BE DEFINED BY CUSTOMER. FOR RECOMMENDED PRODUCT APPLICATION AND PCB DESIGN DETAILS, SEE DOC. NO. GS-20-016.
- ⑦. FOR PROPER APPLICATION FOLLOW FCI APPLICATION SPECIFICATION GS-20-033. LEAD FREE SOLDER BALLS WILL NOT SOLDER PROPERLY IN A LEADED SOLDER PROCESS DUE TO A HIGHER REFLOW TEMPERATURE. LEADFREE PRODUCT IS THEREFORE NOT BACKWARDS COMPATIBLE WITH LEADED OR SOME SOLDERING APPLICATIONS. REFERENCE FCI APPLICATION SPECIFICATION.
- ⑧. THIS PRODUCT MEETS THE EUROPEAN UNION DIRECTIVES AND OTHER COUNTRY REGULATIONS AS DESCRIBED IN GS-22-008. PRODUCT MEETING THIS DIRECTIVE IS IDENTIFIED IN THE CODE NUMBER MARKED ON EACH PART BY HAVING AN "X" IN THE SEVENTH CHARACTER POSTION.

spec ref	-	dr	Bill Lin	2010/02/02	projection 	mm 	size	A4	scale	21:10											
tolerance std	TOLERANCES UNLESS OTHERWISE SPECIFIED	eng	Nickor Zuo	2011/06/20			ecn no	ELX-DG-003943-1													
ASME Y14.5		chr	Alex Cao	2011/06/24				rel level	Released												
surface	<table border="1"> <tr> <td>linear</td> <td>0.X</td> <td>±0.30</td> </tr> <tr> <td></td> <td>0.XX</td> <td>±0.10</td> </tr> <tr> <td></td> <td>0.XXX</td> <td>±0.05</td> </tr> <tr> <td>angular</td> <td>0°</td> <td>±2°</td> </tr> </table>	linear	0.X	±0.30		0.XX	±0.10		0.XXX	±0.05	angular	0°	±2°	appr	Pei-Ming Zheng	2011/06/27	product family	GIG-Array		rev	
linear		0.X	±0.30																		
	0.XX	±0.10																			
	0.XXX	±0.05																			
angular	0°	±2°																			
-				title	GIG-Array		dwg no	10081496													
		www.fci.com	cat. no.	Product - Customer Drw			sheet 5 of 5														