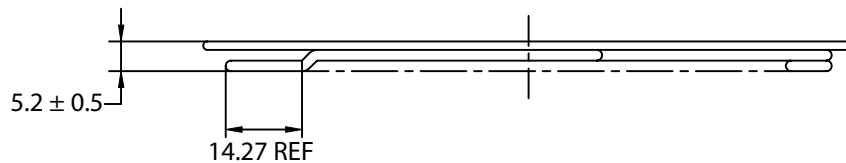
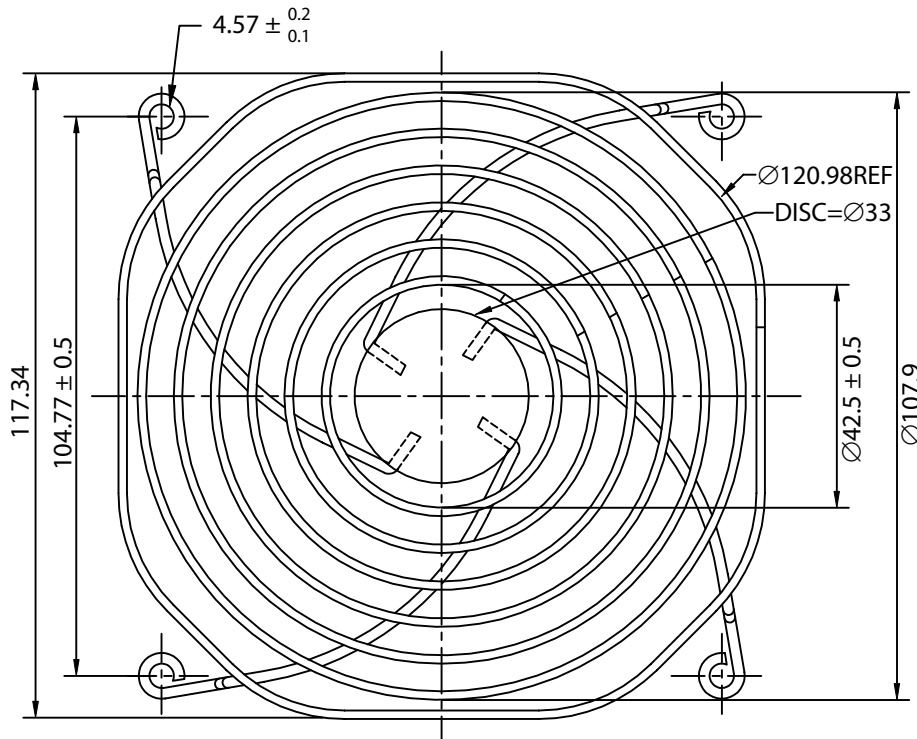


THESE DRAWINGS ARE THE PROPERTY OF QUALTEK ELECTRONICS AND NOT TO BE REPRODUCED FOR OR COMMUNICATED TO A THIRD PARTY WITHOUT THE EXPRESS WRITTEN PERMISSION OF AN OFFICER OF QUALTEK ELECTRONICS.

| REVISION |                        |          |          |
|----------|------------------------|----------|----------|
| REV.     | DESCRIPTION            | DATE     | APPROVED |
| B        | RoHS Compliancy        | 06-01-06 | DP       |
| C        | Updated Specifications | 06-09-09 | LY       |



NOTES:

1. MATERIAL: C1008 BRIGHT BASIC WIRE
2. FINISH: BRIGHT NICKEL CHROME PLATING
3. 0.35 ± 0.05 DEPTH OF SERRATIONS ON WIRE
4. RING: Ø1.6 ± 0.1mm  
RIB: Ø2.0 ± 0.1mm  
DISC: = Ø33 T=0.8mm
5. GENERAL TOLERANCE UNLESS NOTED IS ± 0.7mm
6. RoHS COMPLIANT

**CONTROLLED**

| Dim range (mm) | Tolerance +/- (mm) | Qualtek Electronics Corp.<br>FAN-S DIVISION |                |                 |
|----------------|--------------------|---|----------------|-----------------|
|                |                    | Part Number:                                | 808141         |                 |
| 0-5            | 0.1                | Description: WIRE FORM FAN GUARD (120mm)    |                |                 |
| 5-16           | 0.15               |   | UNIT: mm       | REV: C          |
| 16-64          | 0.2                |   |                |                 |
| 64-250         | 0.4                | Drawn / Date                                | Checked / Date | Approved / Date |
| 250-1000       | 0.5                | B. ZHANG<br>03-09-05                        | 03-09-05       | JJH / 03-09-05  |
| 1000-1500      | 1.0                |   |                |                 |