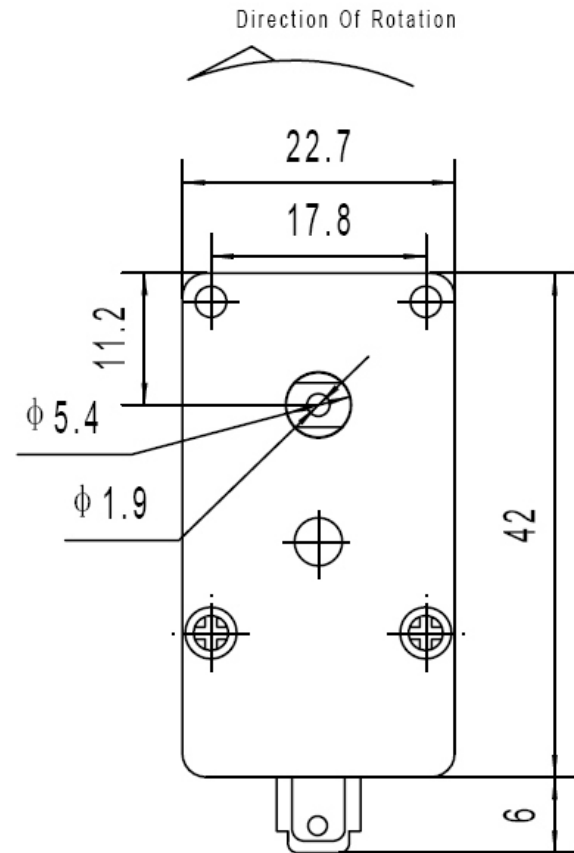
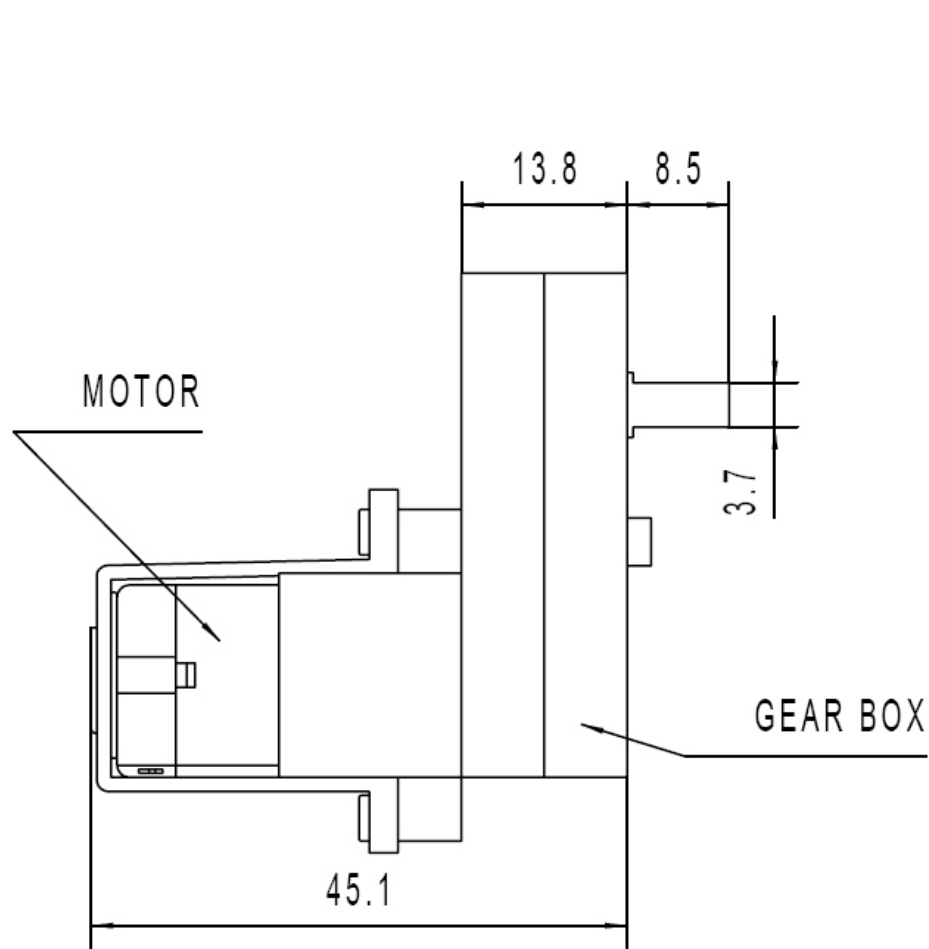


DG02S-A130GEARMOTOR



Suggested Voltage: 3V DC

- 1、 No Load Speed: 65 ± 10 rpm
- 2、 No Load Current: 125mA (170mA MAX)
- 3、 Allowable max. Torque: 800gf.cm min

DAGU Hi-Tech Electronic Co., LTD

Web sites: www.arexx.com.cn