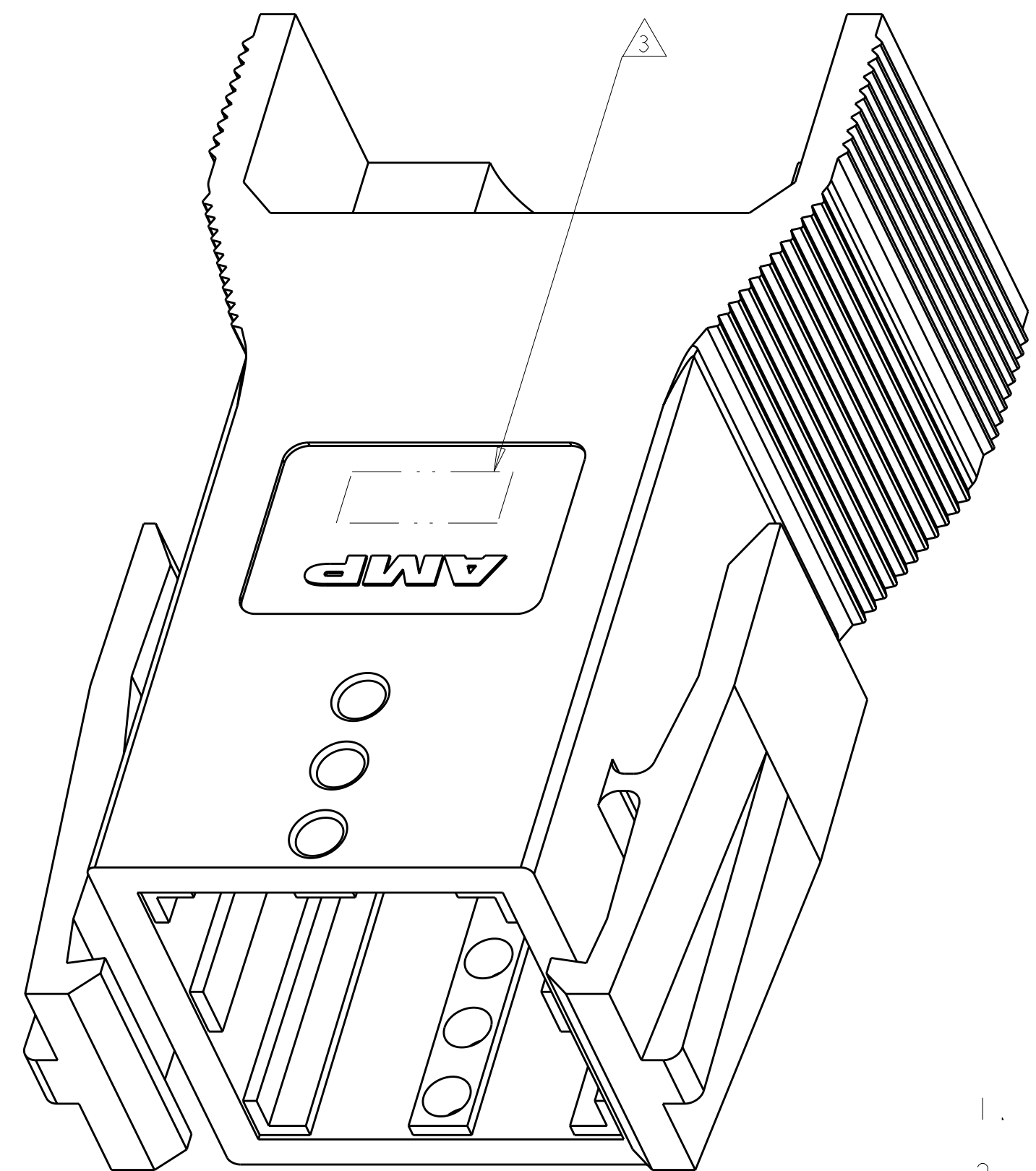
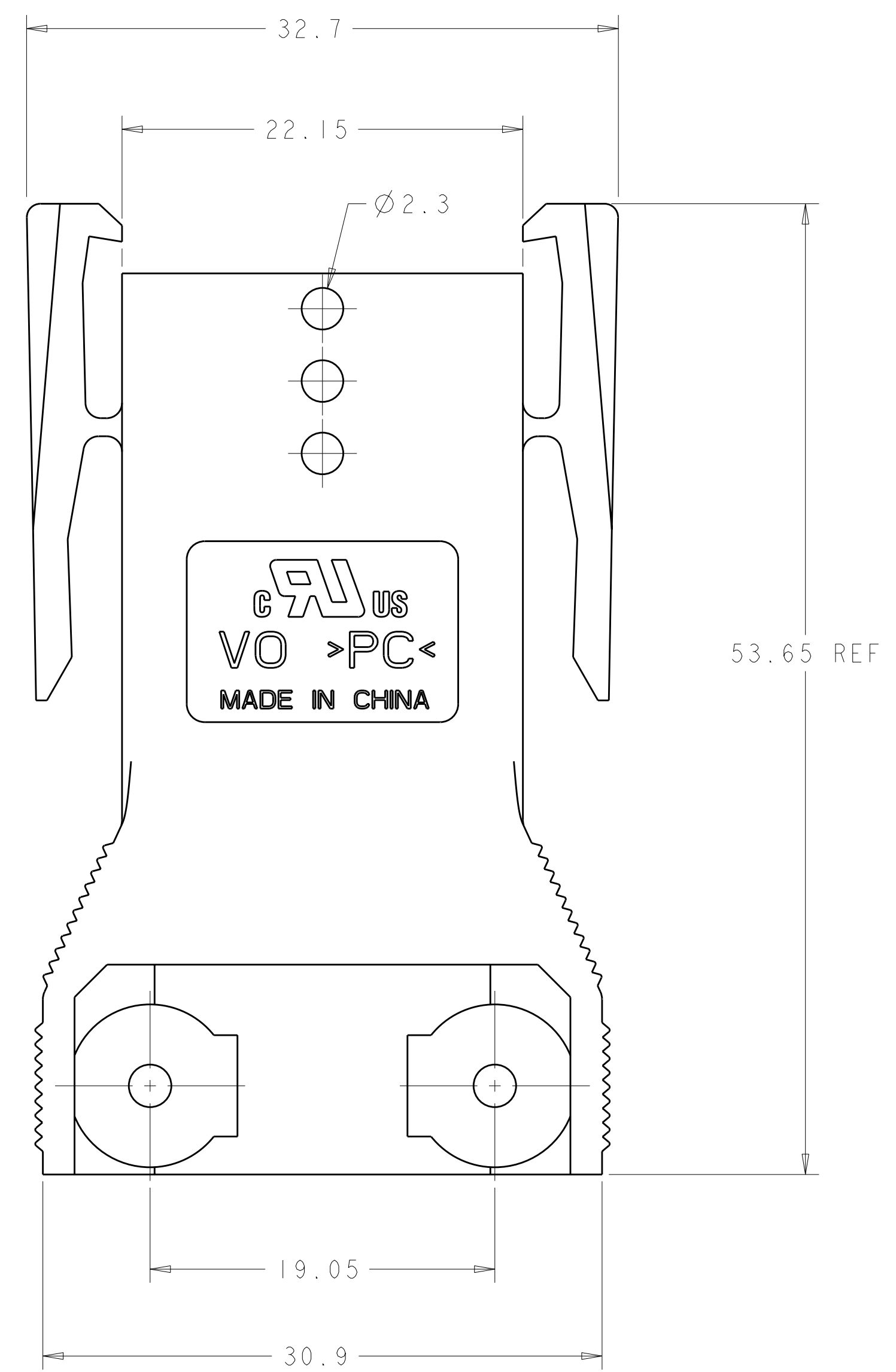
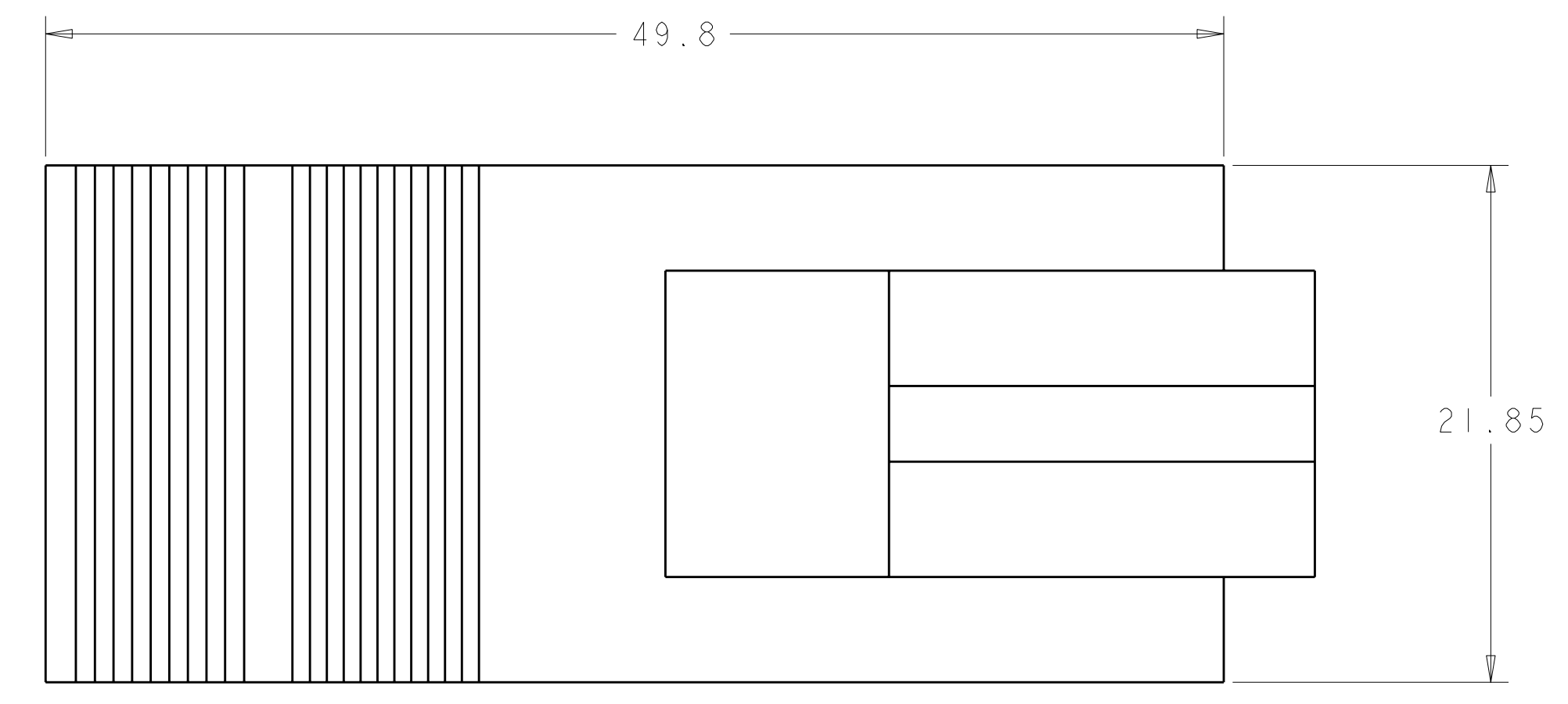
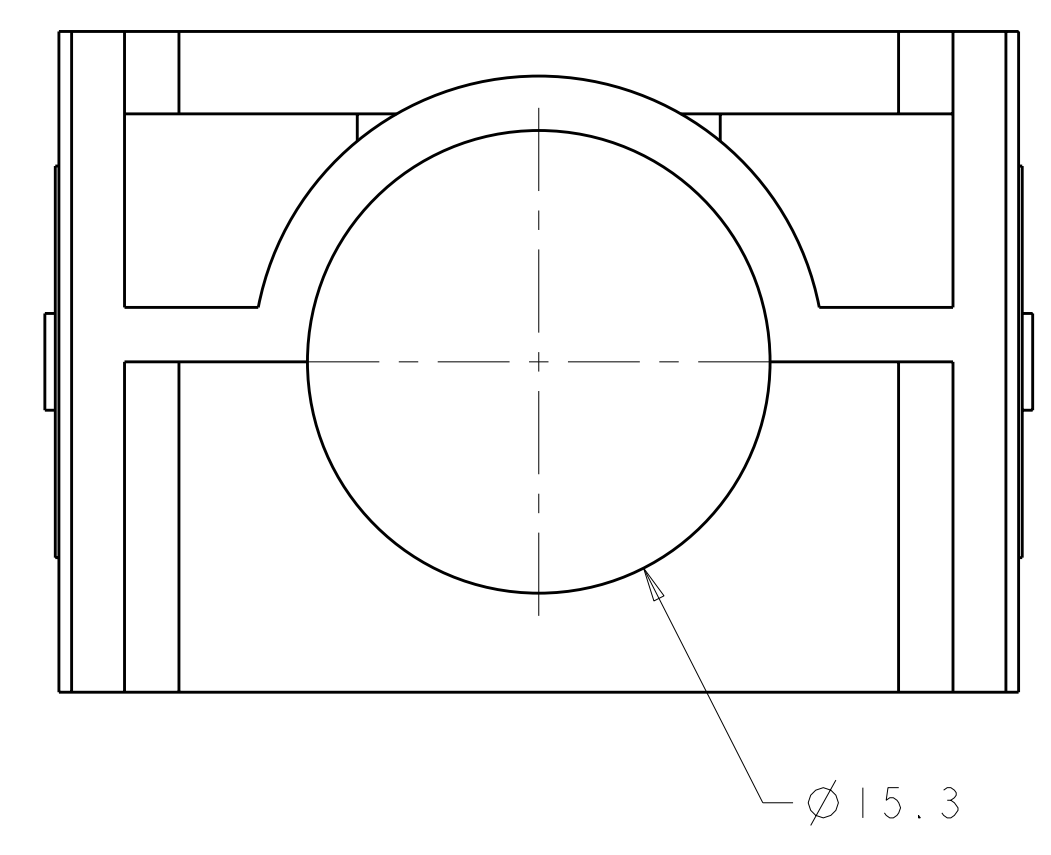


LOC	DIST	REVISIONS			
FT	0	REV	DATE	DWN	APVD
		B	REVISED PER ECO-11-005167	03JUN2011	HMR DY



- 1. MATERIAL: POLYCARBONATE 94-V0
- 2. COLOR: BLACK
- △ 3. TE OR TE CONNECTIVITY LOGO LOCATED APPROX IN THIS AREA.



1604083-1
PART NUMBER

THIS DRAWING IS A CONTROLLED DOCUMENT.		DWN: B. HAYMAKER 09JAN2002	TE Connectivity
DIMENSIONS: mm		CHK: K. KETELSLEGER 14MAR02	
TOLERANCES UNLESS OTHERWISE SPECIFIED: 0 PLC ±0.13 1 PLC ±0.13 2 PLC ±0.13 3 PLC ±0.13 4 PLC ±0.13 ANGLES ±° FINISH ±0.3°		APVD: K. KETELSLEGER 14MAR02	NAME: HOUSING, 2X2 POWER SERIES PLUG WITH LATCH
MATERIAL: -		PRODUCT SPEC: -	SIZE: A100779 C=1604083
CUSTOMER DRAWING		APPLICATION SPEC: -	RESTRICTED TO: -
		WEIGHT: -	SCALE: 4:1 SHEET 1 OF 1 REV B