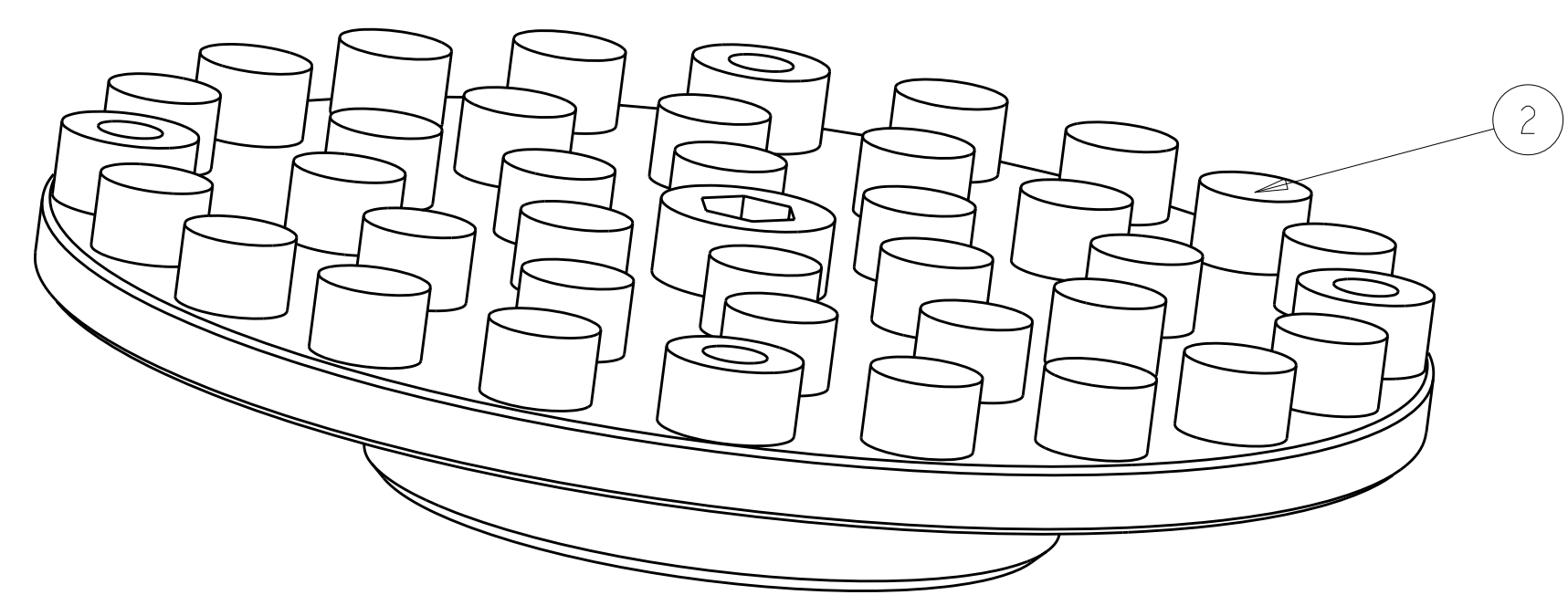
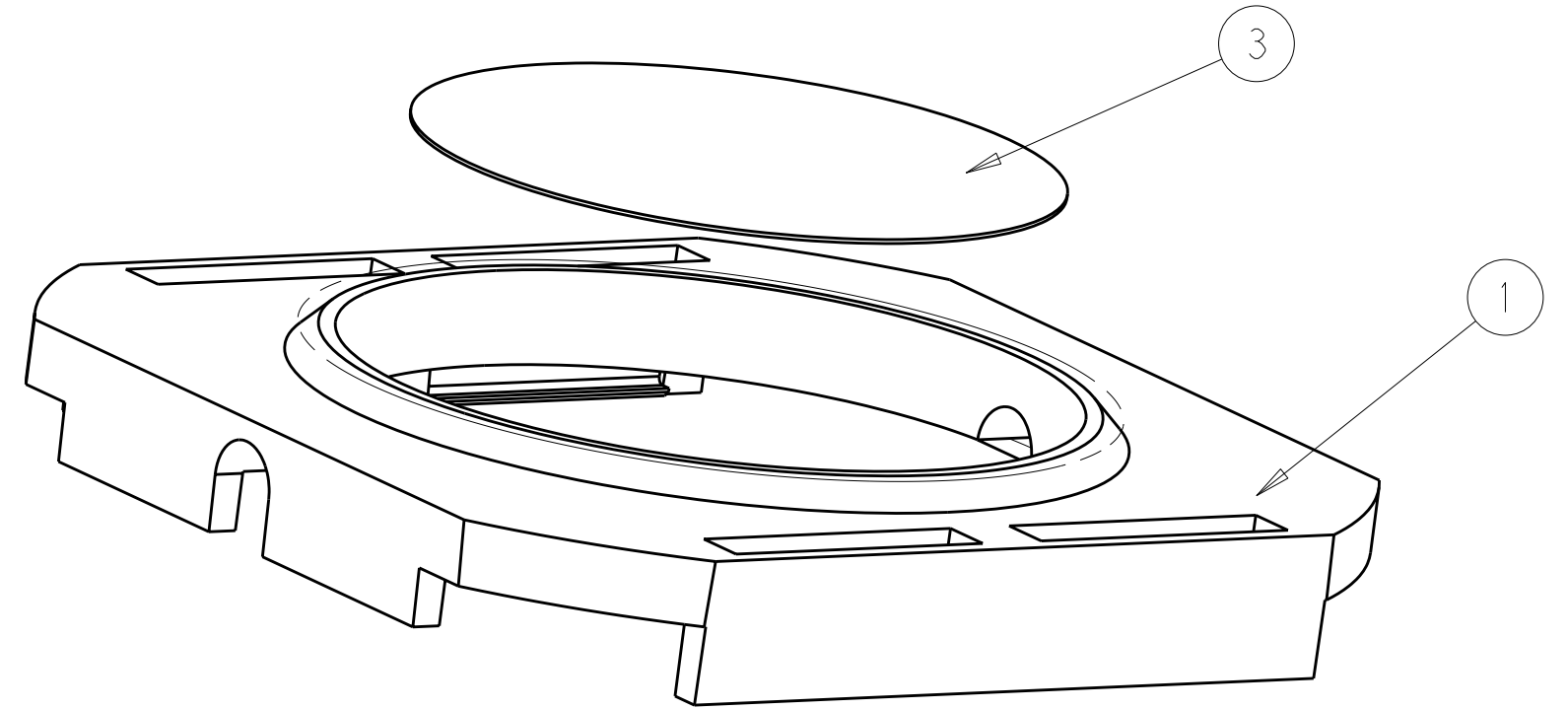


LOC	DIST	REVISIONS					
AD	00	P	LTB	DESCRIPTION	DATE	DWN	APVD
		1		PROPOSED	27AUG2009	DH	JE
		A		RELEASED	31AUG2009	DH	JE

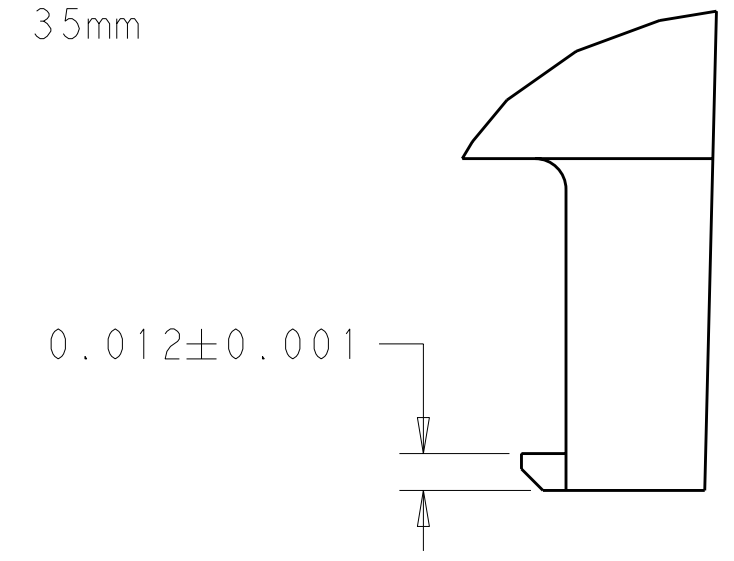


PIN FIN HEATSINK: 2.000 DIA.
0.433 HT.



4-LEG CLIP SIZE: 35mm

SCALE 4:1



DETAIL A
SCALE 16:1

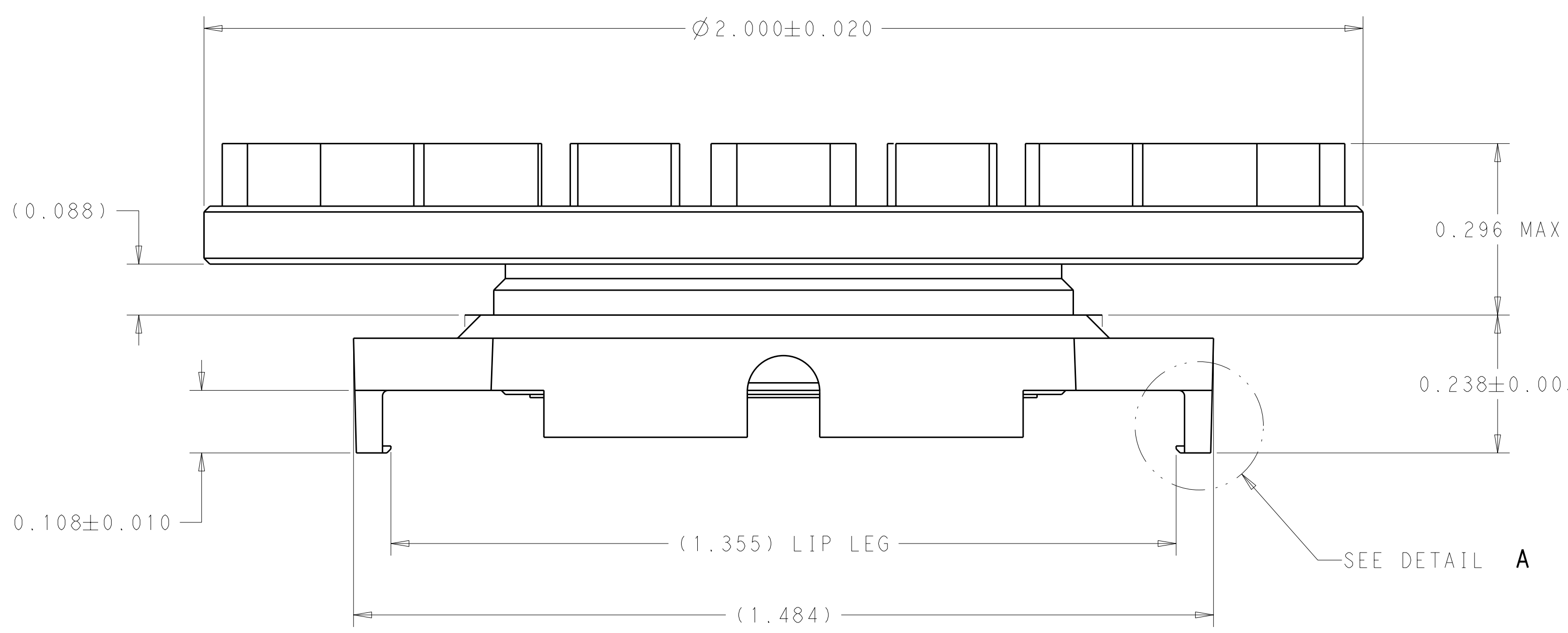
NOTES:

- MATERIAL:
HEAT SINK: ALUM. (BLACK ANODIZE)
CLIP: BLACK PEI(UL94-V0)
- BEFORE THE HEATSINK APPLICATION, THE USER SHOULD IDENTIFY THE SPECIFICATION OF MAXIMUM LOAD ON THE BGA PACKAGE

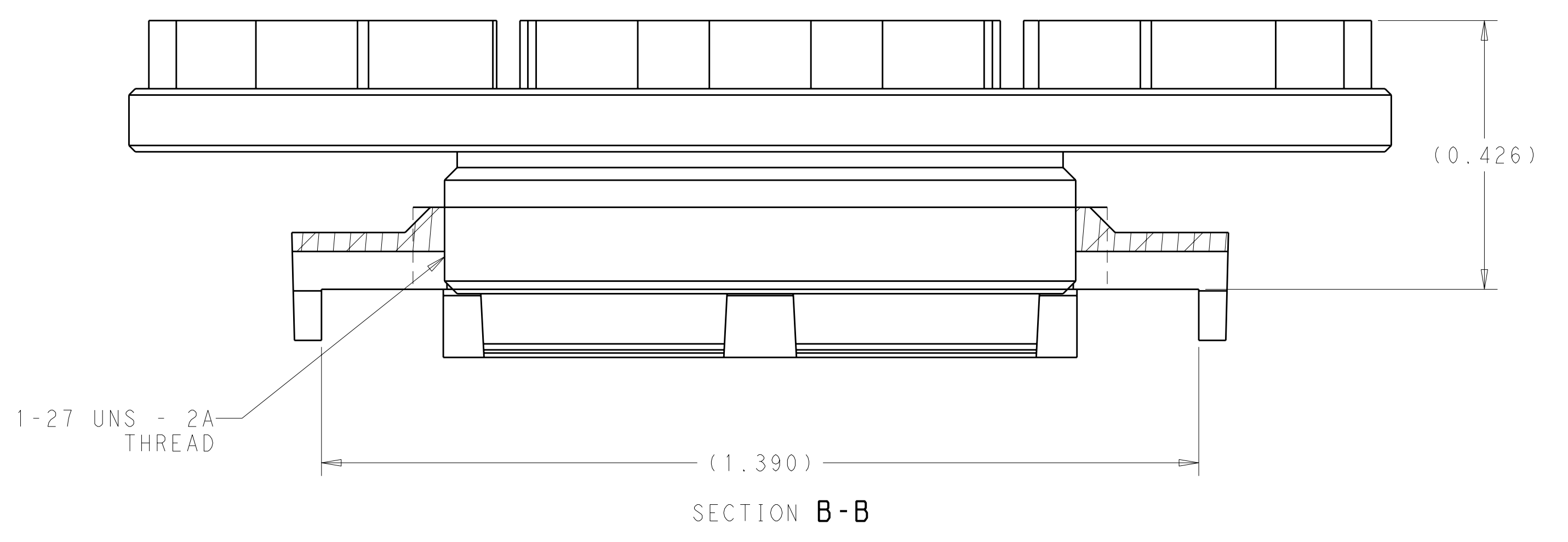
HEATSINK TORQUE SPECIFICATIONS CONVERTED TO FORCE.

BARE DIE PACKAGE:
2.0 INCH - LB TORQUE = 8.1 LBS FORCE
2.5 INCH - LB TORQUE = 10.1 LBS FORCE

FULL SIZE LID PACKAGE:
2.0 INCH - LB TORQUE = 6.9 LBS FORCE
2.5 INCH - LB TORQUE = 8.7 LBS FORCE
- REMOVE CLIP WITH REMOVAL TOOL P/N: 1542616-1
- RoHS COMPLIANT AND CERTIFIED.



SEE DETAIL A



SECTION B-B

QTY.	DESCRIPTION	ITEM
1	INTERFACE	3
1	HEAT SINK	2
1	MOUNTING CLIP	1

DIMENSIONS: INCHES 		TOLERANCES UNLESS OTHERWISE SPECIFIED: 9 PLC ±. 1 PLC ±0.1 3 PLC ±0.02 5 PLC ±0.005 4 PLC ±0.0005 ANGLES ±.		DWN D. HUMBERT 27AUG2009 CHK J. EARY 27AUG2009 APVD J. EARY 27AUG2009		Tyco Electronics Harrisburg, PA 17105-3608	
MATERIAL SEE NOTE FINISH SEE NOTE		WEIGHT - CUSTOMER DRAWING		NAME PRODUCT SPEC - APPLICATION SPEC - SIZE CAGE CODE DRAWING NO A100779C=2110926		RESTRICTED TO SCALE 6:1 SHEET 1 OF 1 REV A	