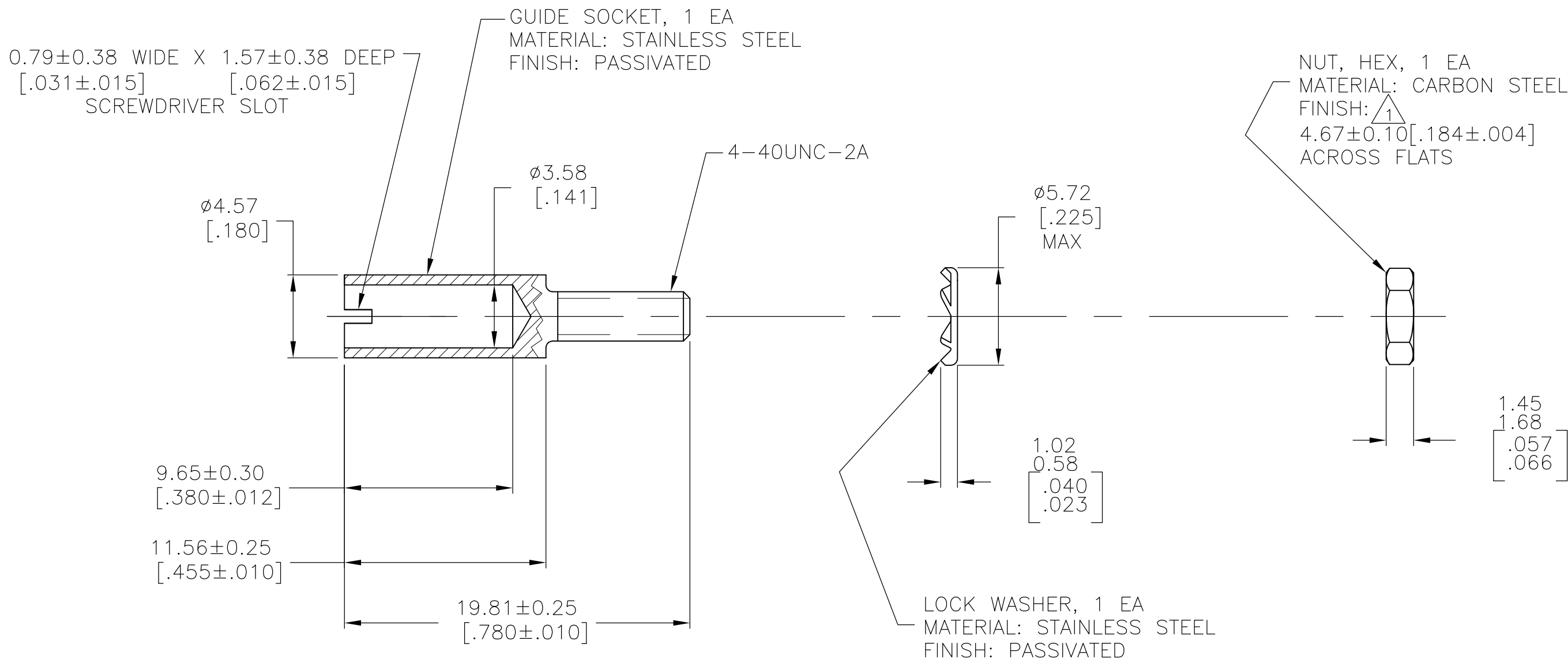


THIS DRAWING IS UNPUBLISHED. RELEASED FOR PUBLICATION
 © COPYRIGHT BY TYCO ELECTRONICS CORPORATION. ALL INTERNATIONAL RIGHTS RESERVED.

LOC	DIST	REVISIONS			
P	LTR	DESCRIPTION	DATE	DWN	APVD
FT	0	Y	REVISED PER ECO-10-021995	12JAN11	HMR MG



- ¹ ZINC PLATE.
- ³ SPECIAL PACKAGING - ONE UNASSEMBLED UNIT PER BAG

³	1-200390-0
	200390-9
	200390-2
	PART NUMBER

SUPERSEDED BY 200390-9

THIS DRAWING IS A CONTROLLED DOCUMENT.		DWN W.G.LENKER 1-20-95	Tyco Electronics Corporation Harrisburg, PA 17105-3608														
DIMENSIONS: mm [INCHES]		CHK R.STONE 1-24-95															
TOLERANCES UNLESS OTHERWISE SPECIFIED:		APVD -	NAME CENTER GUIDE SOCKET KIT, UNASSEMBLED, M SERIES														
<table border="0"> <tr><td>0 PLC</td><td>± -</td></tr> <tr><td>1 PLC</td><td>± -</td></tr> <tr><td>2 PLC</td><td>± 0.13 [.005]</td></tr> <tr><td>3 PLC</td><td>± -</td></tr> <tr><td>4 PLC</td><td>± -</td></tr> <tr><td>ANGLES</td><td>± -</td></tr> </table>		0 PLC	± -	1 PLC	± -	2 PLC	± 0.13 [.005]	3 PLC	± -	4 PLC	± -	ANGLES	± -	PRODUCT SPEC -	SIZE A3		
0 PLC	± -																
1 PLC	± -																
2 PLC	± 0.13 [.005]																
3 PLC	± -																
4 PLC	± -																
ANGLES	± -																
MATERIAL SEE CALLOUT		FINISH SEE CALLOUT	APPLICATION SPEC -	CAGE CODE 00779	DRAWING NO C-200390												
CUSTOMER DRAWING			WEIGHT -	RESTRICTED TO -	SCALE 4:1												
			SHEET 1 OF 1		REV Y												