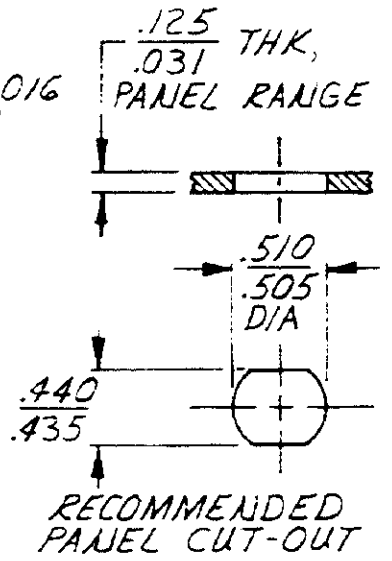
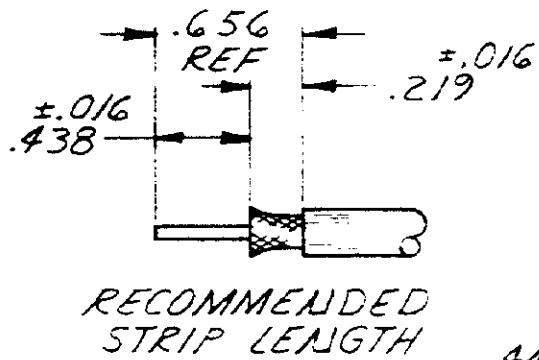
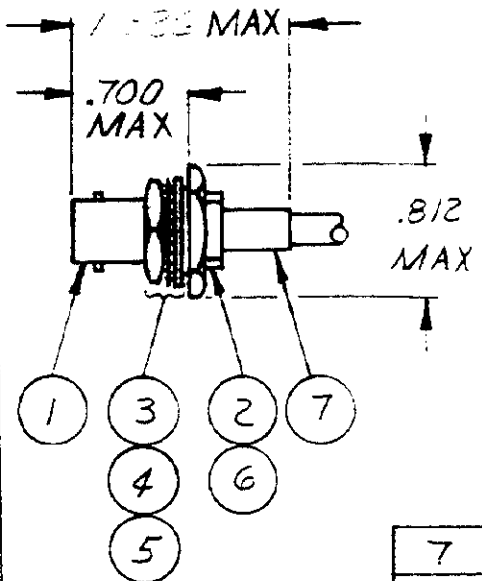


THIS DRAWING IS UNPUBLISHED. RELEASED FOR PUBLICATION BY AMP INCORPORATED, HARRISBURG, PA. ALL INTERNATIONAL RIGHTS RESERVED. AMP PRODUCTS MAY BE COVERED BY U.S. AND FOREIGN PATENTS AND/OR PATENTS PENDING.

REVISIONS					
P	F	LTR	DESCRIPTION	DATE	APPROVED
✓		F	REV-REDWN	CB2-515	MS/SH

- FOR USE WITH: *1-12 / 1799-3* CABLE.
- CRIMPING TOOL: *602-1*
- SEE I.S. 1799-3.



ITEM	QTY	DESCRIPTION	PART NO
7	1	FERRULE	328666
6	1	GASKET	2-329106-1
5	1	LOCK WASHER	329632
4	1	JAM NUT	329631
3	1	GASKET	329633
2	1	CRIMP END ASSY	50793-4
1	1	JACK ASSY, BHD	329803

UNLESS OTHERWISE SPECIFIED DIMENSIONS ARE IN INCHES. TOLERANCES ON: DECIMALS ± .005 ANGLES ± .015

MATERIAL \_\_\_\_\_

FINISH \_\_\_\_\_

CONTRACT NO \_\_\_\_\_

DR *M. E. Smith* 5-3-53

CHK *D. S. Heide* 9/3/53

APPD *M. L. Harris* 12/2/53

DSGN APPD \_\_\_\_\_

OTHER APPD \_\_\_\_\_

**AMP** | AMP INCORPORATED  
Harrisburg, Pa. 17105

NAME **CONNECTOR, COAXIAL, RF JACK, BHD, SERIES BNC**

SIZE **A** FSCM NO **00779** DRAWING NO **2-329092-1**

SCALE **NTS** SHEET \_\_\_\_\_