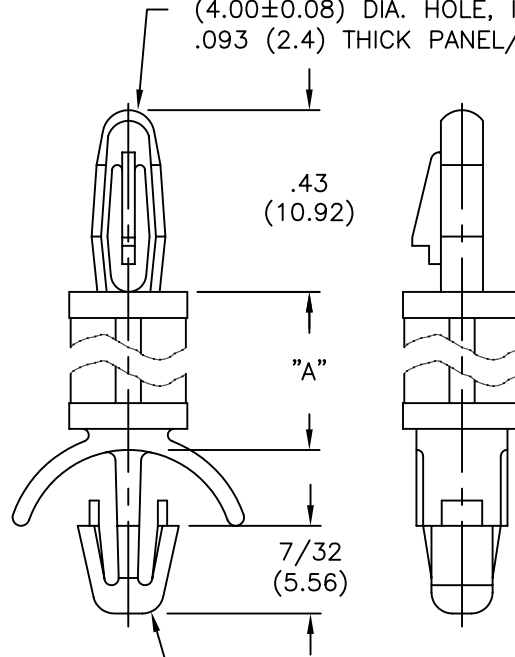


TO SNAP-LOCK IN A  $.156 \pm .003$   
(4.00 ± 0.08) DIA. HOLE, IN A  
.093 (2.4) THICK PANEL/BOARD.



TO SNAP-LOCK IN A  $.187 \pm .003$   
(4.75 ± 0.08) DIA. HOLE, IN A  
.08-.14 (2.0-3.6) THK.  
PANEL/CHASSIS.

PART NO.	DIM. "A" ±.015 (±0.4)
LCBS-6-3-01	3/16 (4.8)
LCBS-6-4-01	1/4 (6.4)
LCBS-6-5-01	5/16 (7.9)
LCBS-6-6-01	3/8 (9.5)
LCBS-6-7-01	7/16 (11.1)
LCBS-6-8-01	1/2 (12.7)
LCBS-6-10-01	5/8 (15.9)
LCBS-6-12-01	3/4 (19.1)
LCBS-6-14-01	7/8 (22.2)
LCBS-6-16-01	1.0 (25.4)
LCBS-6-18-01	1-1/8 (28.6)
LCBS-6-20-01	1-1/4 (31.7)
LCBS-6-22-01	1-3/8 (34.9)

NOTES:

- MATERIAL: NYLON 6/6.  
FLAME RETARDANT NYLON UL94 V-0,  
AVAILABLE BY SPECIAL ORDER ONLY.
- COLOR: NATURAL.

TITLE: LOCKING CKT. BD. SUPPORT 6 SERIES						DWG IN IN (MM)	
TOLERANCES UNLESS NOTED .XX=±.010 .XXX=±.005 FRAC=±1/64 ANG=±1'	FILE # LCBS-6	DWN: JL	APP:	FINAL			
	MAT'L: SEE NOTES	DT: 01/11/99	DT:	PART #		PRINT	
	RE: RICHCO, INC.	RICHCO INC. PO BOX 804238, CHICAGO, 60680 (773) 539-4060		LCBS-6 SERIES		TYPE CA	

B	UPDATED PRINT AND CHANGED FILE NO.	SM 10.12.01
A	DIM'S ON ARROW HEAD CHANGED	JL 4.22.99
REV	DESCRIPTION	ENGR DATE