

THIS DRAWING IS UNPUBLISHED. RELEASED FOR PUBLICATION
 © COPYRIGHT - By - ALL RIGHTS RESERVED.

LOC	DIST	REVISIONS					
FT	0	P	LTR	DESCRIPTION	DATE	DWN	APVD
				D1 REVISED PER ECO-11-005027	11MAR11	RK	HMR


SPECIFICATIONS:

D-SUB CONNECTOR:

MATERIALS:
 HOUSING: THERMOPLASTIC POLYESTER, 94V-0.
 CONTACTS: COPPER ALLOY, GOLD OVER NICKEL
MECHANICAL:
 WIRE RANGE: 26-30 AWG SOLID, 28 AWG STRANDED

TERMINAL BLOCK:

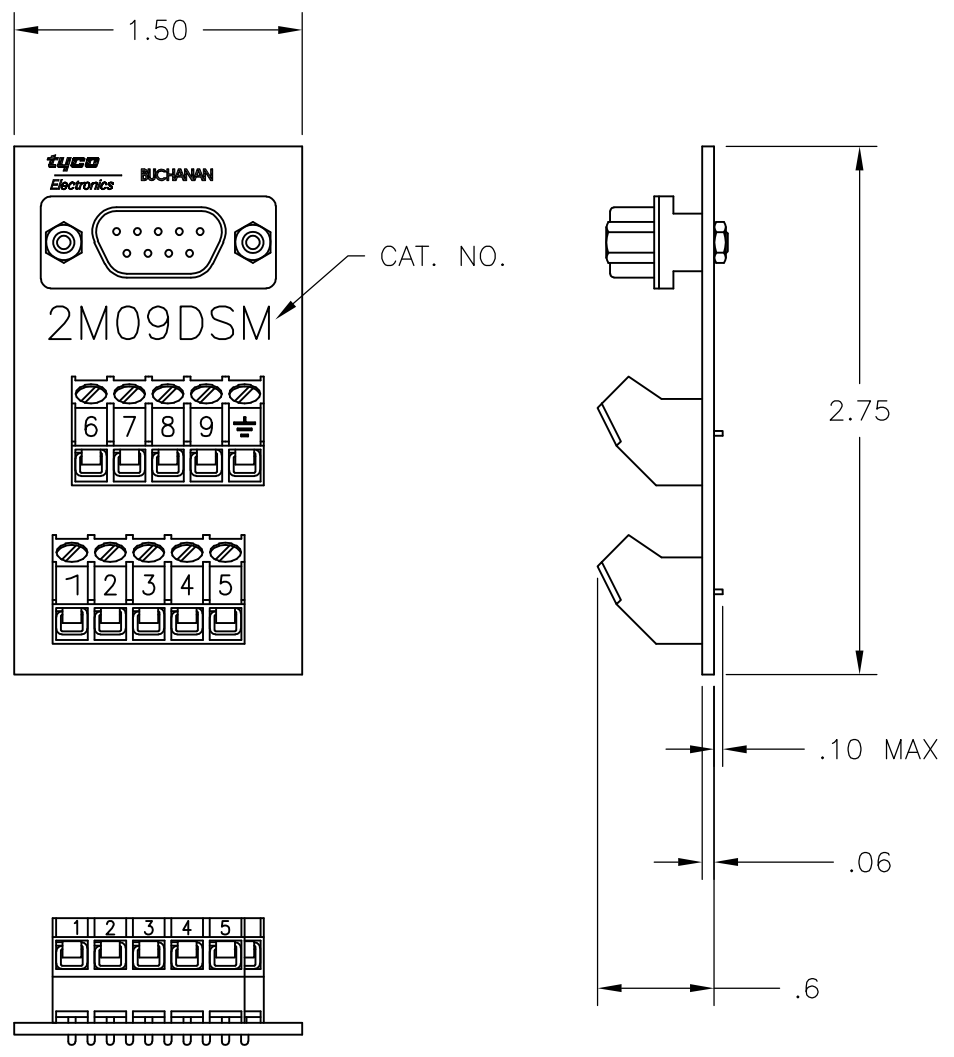
MATERIALS:
 HOUSING: THERMOPLASTIC NYLON, BLACK, 94V-0.
 TERMINALS: COPPER ALLOY, BRIGHT ACID-TIN OVER COPPER PLATED.
 SCREWS: 3M, BRASS, NICKEL PLATED.

ELECTRICAL:
 RATING: 10A, 300V, 
MECHANICAL:
 WIRE RANGE: 14-22 AWG.


MOUNTING:

MATERIALS: RIGID PVC, GRAY.
MOUNTING: 2TK2 AND 2TK2D SERIES SNAPTRACK, (SOLD SEPARATELY).

 CONTAINS NO TIN-LEAD PLATING.



	2M09DSML	1546693-1
	2M09DSM	1437684-3
	CATALOG NO.	PART NUMBER

THIS DRAWING IS A CONTROLLED DOCUMENT.		DWN	S SCHLEGEL	08JUL02	 TE Connectivity		
DIMENSIONS: INCHES		CHK	H. WAKEEM	7/8/02			
TOLERANCES UNLESS OTHERWISE SPECIFIED:		APVD	H. WAKEEM	7/8/02	NAME		
0 PLC ± -		PRODUCT SPEC		2M09DSM ASSEMBLY			
1 PLC ± .1		APPLICATION SPEC		-			
2 PLC ± .01		SIZE	A3	CAGE CODE	00779	DRAWING NO	C-1437684-3
3 PLC ± -		RESTRICTED TO		-			
4 PLC ± -		MATERIAL		-			
ANGLES ± -		FINISH		-			
MATERIAL		WEIGHT		-			
-		-		CUSTOMER DRAWING			
-		-		SCALE	NTS	SHEET	1 OF 1
-		-		REV		D1	