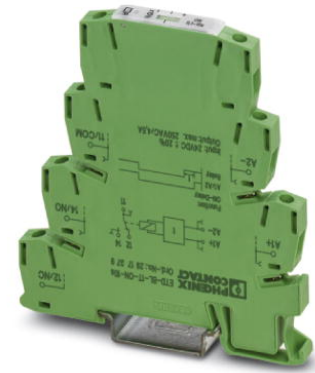


ETD-BL-1T-ON- 30MIN-SP

Order No.: 2917557

The figure shows the ETD-BL-1T-ON- 10S 2917379 version




<http://eshop.phoenixcontact.de/phoenix/treeViewClick.do?UID=2917557>

Timer relay with switch-on delay (voltage-controlled) and an adjustable time range (0.3 min - 30 min), with spring-cage connection



Commercial data

| | |
|--------------------------|--|
| GTIN (EAN) |  4 046356 367479 |
| sales group | H310 |
| Pack | 1 pcs. |
| Customs tariff | 85364900 |
| Catalog page information | Page 660 (IF-2009) |

Product notes

WEEE/RoHS-compliant since:
12/12/2008



<http://www.download.phoenixcontact.com>
Please note that the data given here has been taken from the online catalog. For comprehensive information and data, please refer to the user documentation. The General Terms and Conditions of Use apply to Internet downloads.

Product description

Compact time relay in the 6.2 mm housing in order to control time sequences.

The time is set on the front side using a labeled knurled wheel which is sunk in order to prevent unintentional adjustment. The time can be set using a screwdriver (blade width 2.5 mm).

The compact time relays are available with varied time ranges as well as with screw and spring-cage connections.

Technical data

Coil side

| | |
|---------------------|--------------------------------|
| Input voltage range | 24 V DC (19,2 V DC ...30 V DC) |
| Function | ON: With switch-on delay |
| Time setting range | 0.3 min ... 30 min |

Contact side

| | |
|--------------|-------------------|
| Contact type | 1 floating PDT |
| Output fuse | 6.3 A (fast-blow) |

General data

| | |
|---|--|
| Width | 6.2 mm |
| Height | 80 mm |
| Depth | 86 mm |
| Status display | Green LED (POWER) Yellow LED (relay active) |
| Mechanical service life | Approx. 2×10^7 cycles |
| Ambient temperature (operation) | -20 °C ... 65 °C |
| Ambient temperature (storage/transport) | -25 °C ... 80 °C |
| Mounting position | Any |
| Assembly instructions | on TS 35 profile rail acc. to EN 60715 |
| Color | green |
| Housing insulation material | Polyamide PA, self-extinguishing |
| Permissible humidity (operation) | 15 % ... 85 % |
| Rated insulation voltage | 300 V AC (According to EN 50178) |
| Conformance | CE-compliant |
| ATEX | Ex II 3 G Ex nAC II T4 X |
| UL, USA / Canada | UL/C-UL listed UL 508 |
| GL | GL EMC 1 C |

Connection data

| | |
|--|----------------------|
| Conductor cross section stranded min. | 0.14 mm ² |
| Conductor cross section stranded max. | 2.5 mm ² |
| Conductor cross section solid min. | 0.14 mm ² |
| Conductor cross section solid max. | 2.5 mm ² |
| Conductor cross section AWG/kcmil min. | 26 |

| | |
|---------------------------------------|------------------------|
| Conductor cross section AWG/kcmil max | 14 |
| Stripping length | 8 mm |
| Type of connection | Spring-cage connection |

Control contact

| | |
|----------------------|------------|
| Control pulse length | min. 50 ms |
|----------------------|------------|

Certificates / Approvals

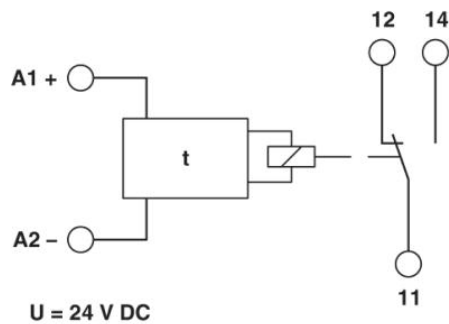


Certification

CUL Listed, GL, UL Listed

Diagrams/Drawings

Block diagram



Address

PHOENIX CONTACT Inc., USA
586 Fulling Mill Road
Middletown, PA 17057, USA
Phone (800) 888-7388
Fax (717) 944-1625
<http://www.phoenixcon.com>



© 2011 Phoenix Contact
Technical modifications reserved;