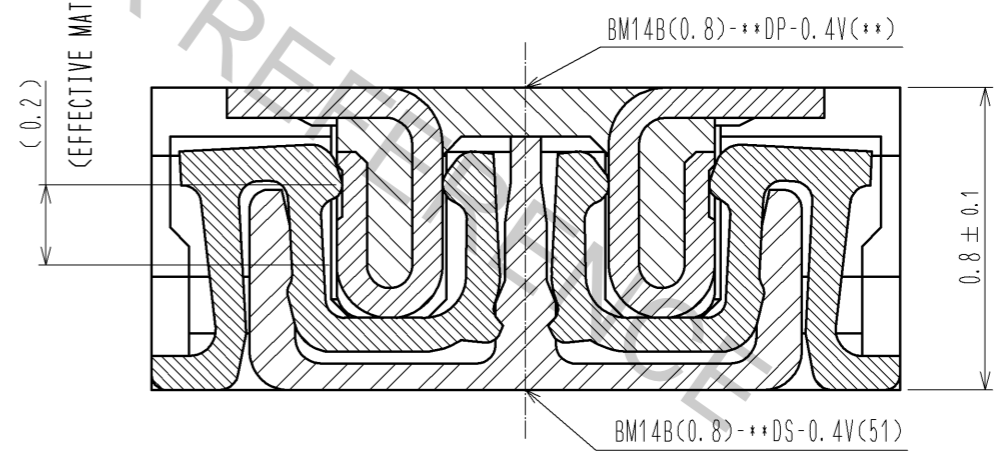


- NOTE) 1. ALL LEAD CO-PLANARITY SHALL BE 0.08mm MAX  
 2. CONTACT PLATING SPECIFICATIONS.  
 CONTACT AREA : GOLD 0.05 μm MIN  
 SMT LEAD : GOLD 0.05 μm MIN  
 UNDERPLATING : NICKEL 1 μm MIN  
 ( SURFACE : SEALING )  
 3. EACH CONTACTS AT 4 CORNERS ARE PROVIDED FOR METAL FITTINGS AND GROUNDING PURPOSE.  
 4. HRS MARK AND CAV NO. ARE INDICATED IN APPROX POSITION SHOWN.  
 5. GATE POSITION IS INDICATED IN APPROX POSITION SHOWN.

ENGAGEMENT FIGURE (50:1)



PART No.	CODE No.	B	C
BM14B(0.8)-10DS-0.4V(51)	CL684-8003-5-51	4.48	2.4
BM14B(0.8)-12DS-0.4V(51)	CL684-8041-4-51	4.88	2.8
BM14B(0.8)-20DS-0.4V(51)	CL684-8004-8-51	6.48	4.4
BM14B(0.8)-22DS-0.4V(51)	CL684-8048-3-51	6.88	4.8
BM14B(0.8)-24DS-0.4V(51)	CL684-8005-0-51	7.28	5.2
BM14B(0.8)-30DS-0.4V(51)	CL684-8006-3-51	8.48	6.4
BM14B(0.8)-34DS-0.4V(51)	CL684-8007-6-51	9.28	7.2
BM14B(0.8)-40DS-0.4V(51)	CL684-8008-9-51	10.48	8.4
BM14B(0.8)-50DS-0.4V(51)	CL684-8009-1-51	12.48	10.4
BM14B(0.8)-60DS-0.4V(51)	CL684-8001-0-51	14.48	12.4

NO.	MATERIAL	FINISH . REMARKS	NO.	MATERIAL	FINISH . REMARKS
3	PS	CLEAR (ENBOSSED CARRIER TAPE)	6	PS	CLEAR (REINFORCEMENT COLLAR)
2	PHOSPHOR BRONZE	2	5	PS	BLACK (PLASTIC REEL)
1	LCP	UL94 V-0. BLACK	4	POLYESTER	CLEAR (COVER TAPE)

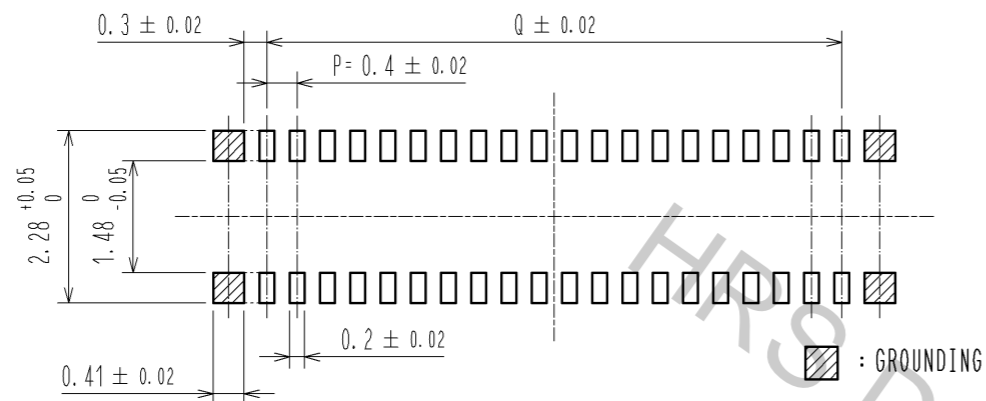
  

UNITS	SCALE	COUNT	DESCRIPTION OF REVISIONS	DESIGNED	CHECKED	DATE
mm	10:1	6	DIS-H-006861	SH. HOSODA	YH. MICHIDA	12.05.10

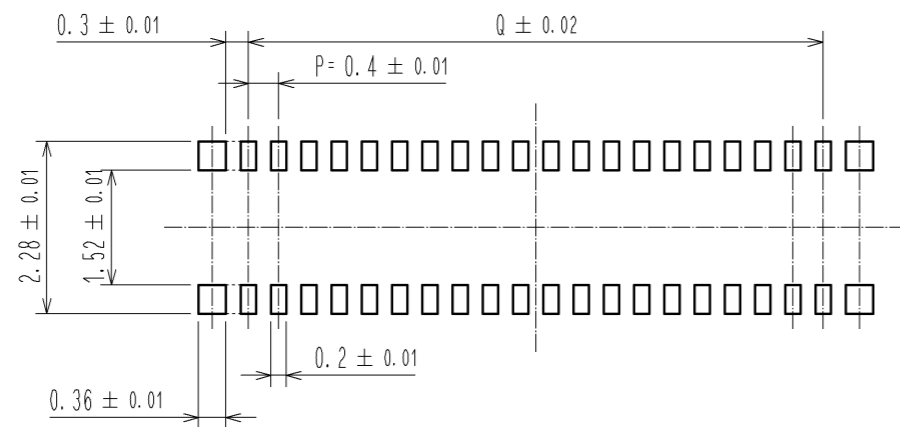
APPROVED	CHECKED	DESIGNED	DRAWN	DRAWING NO.	PART NO.	CODE NO.
KH. IKEDA	WR. FUKUCHI	YH. HASEGAWA	YH. HASEGAWA	EDC3-322327-04	BM14B(0.8)-*DS-0.4V(51)	CL684

### ◆ RECOMMENDED PCB LAYOUT



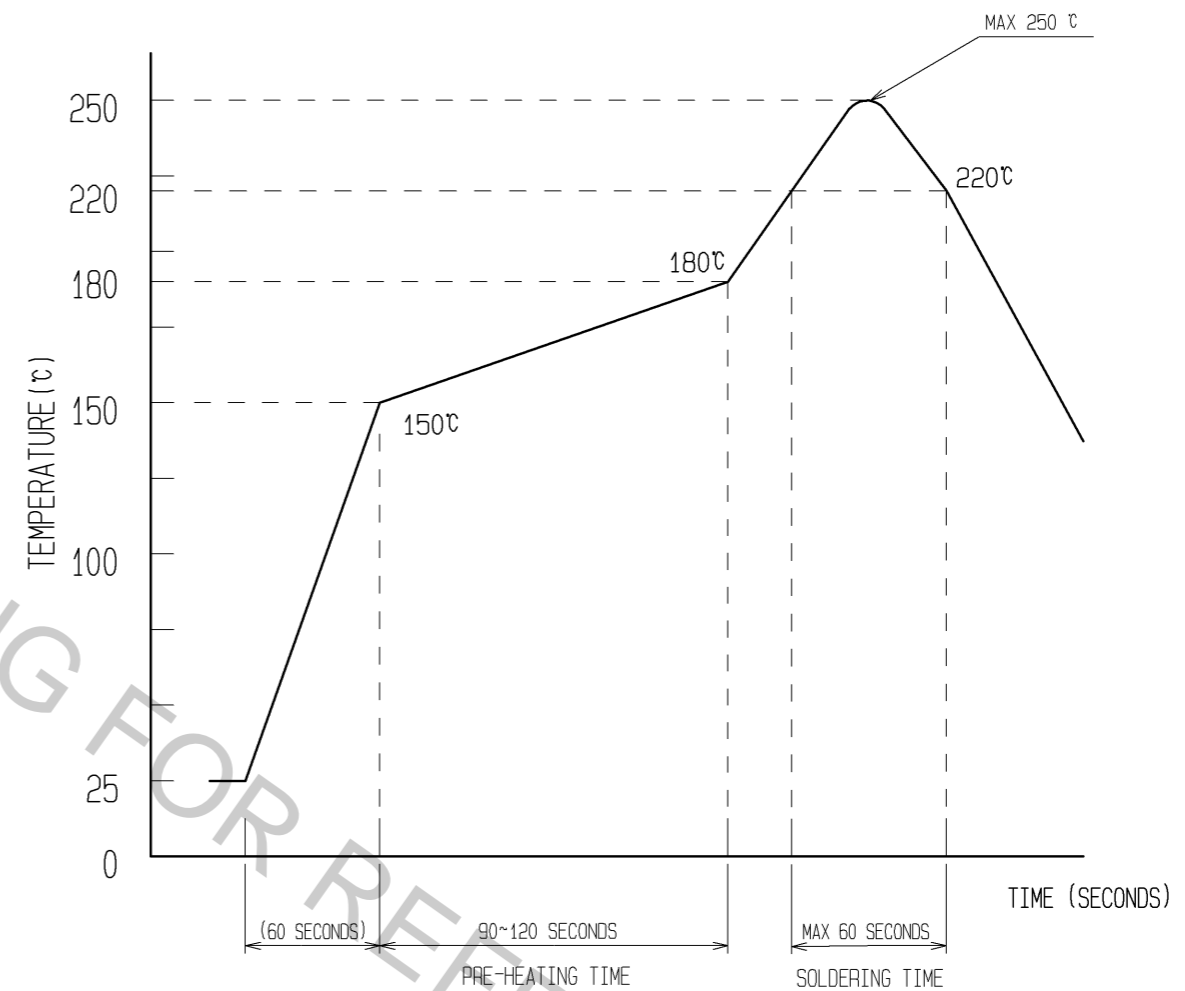
### ◆ RECOMMENDED METAL MASK DIMENSIONS

METAL MASK THICKNESS : 100 μm



PART No.	Q
BM14B(0.8)-10DS-0.4V(51)	1.6
BM14B(0.8)-12DS-0.4V(51)	2.0
BM14B(0.8)-20DS-0.4V(51)	3.6
BM14B(0.8)-22DS-0.4V(51)	4.0
BM14B(0.8)-24DS-0.4V(51)	4.4
BM14B(0.8)-30DS-0.4V(51)	5.6
BM14B(0.8)-34DS-0.4V(51)	6.4
BM14B(0.8)-40DS-0.4V(51)	7.6
BM14B(0.8)-50DS-0.4V(51)	9.6
BM14B(0.8)-60DS-0.4V(51)	11.6

### ⑥ RECOMMENDED REFLOW TEMPERATURE PROFILE USING LEAD-FREE SOLDER PASTE.



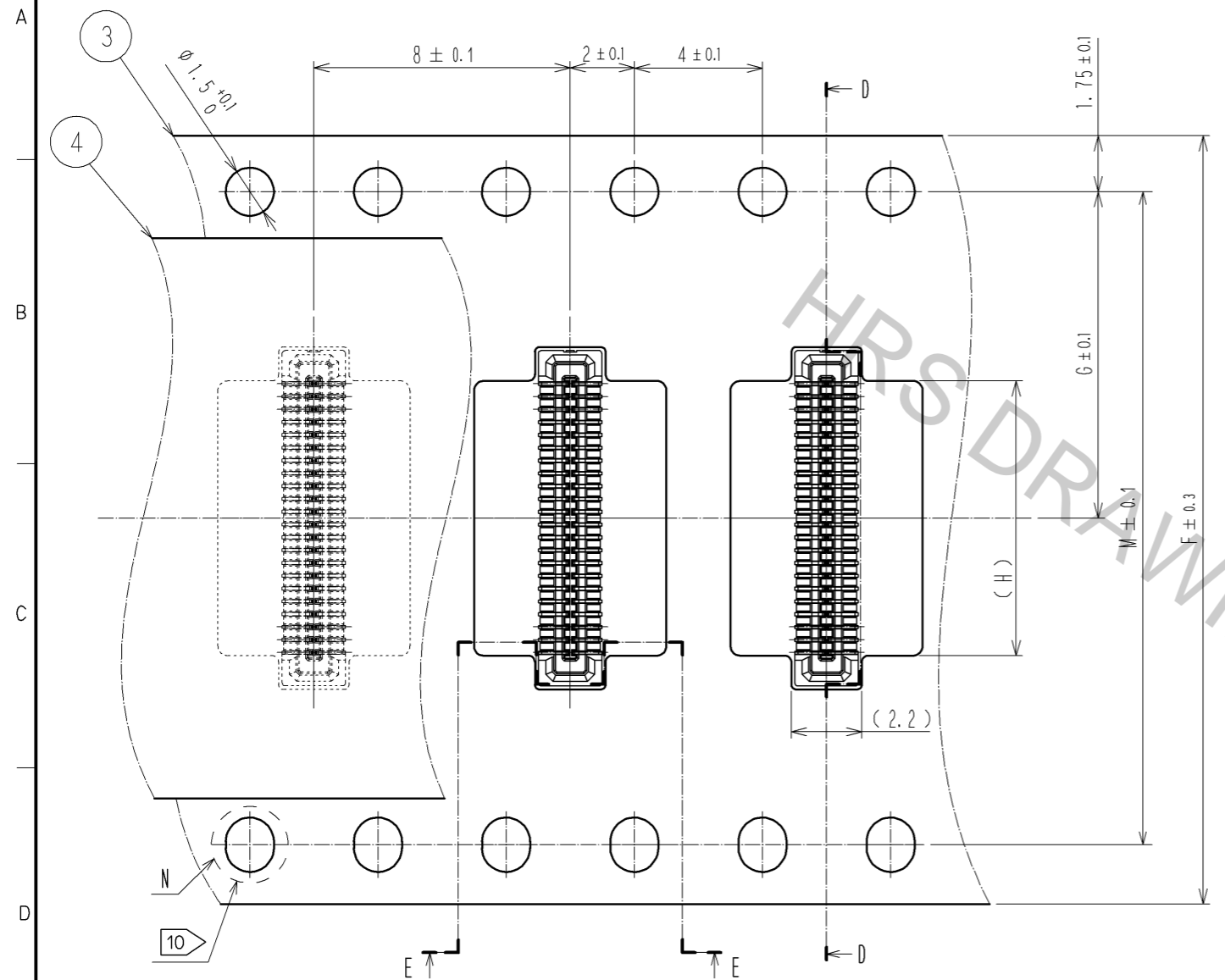
- REFLOW METHOD: IR REFLOW.  
 NUMBER OF REFLOW CYCLES: 2 CYCLES MAX.
- REFLOW TIME  
 DURATION ABOVE 220°C, 60 SEC. MAX.  
 (PEAK TEMPERATURE: 250°C MAX)
  - PRE-HEAT TIME  
 PRE-HEAT TEMPERATURE(MIN): 150°C  
 PRE-HEAT TEMPERATURE(MAX): 180°C  
 PRE-HEAT TIME: 90-120 sec.

⑥ THIS TEMPERATURE PROFILE IS PER THE CONDITIONS SHOWN ABOVE. ADDITIONAL FACTORS, SUCH AS SOLDER PASTE TYPE, PCB SIZE AND OTHER MOUNTED COMPONENTS COULD AFFECT THE PROFILE, THEREFORE, A THOROUGH EVALUATION OF MOUNTING CONDITION IS REQUIRED PRIOR TO PRODUCTION. TEMPERATURE IS MEASURED AT CONTACT LEAD.

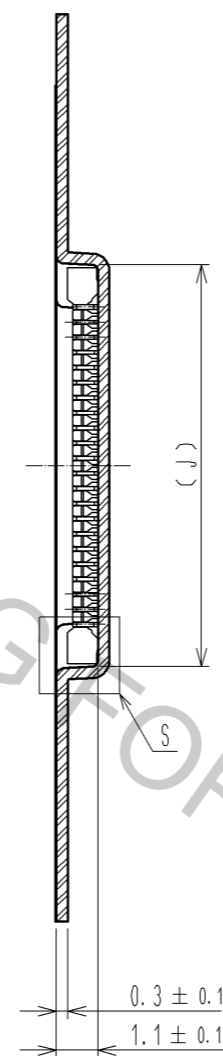
<b>HRS</b>	DRAWING NO.	EDC3-322327-04
	PART NO.	BM14B(0.8)-*DS-0.4V(51)
	CODE NO.	CL684

Apr.1.2017 Copyright 2017 HIROSE ELECTRIC CO., LTD. All Rights Reserved.

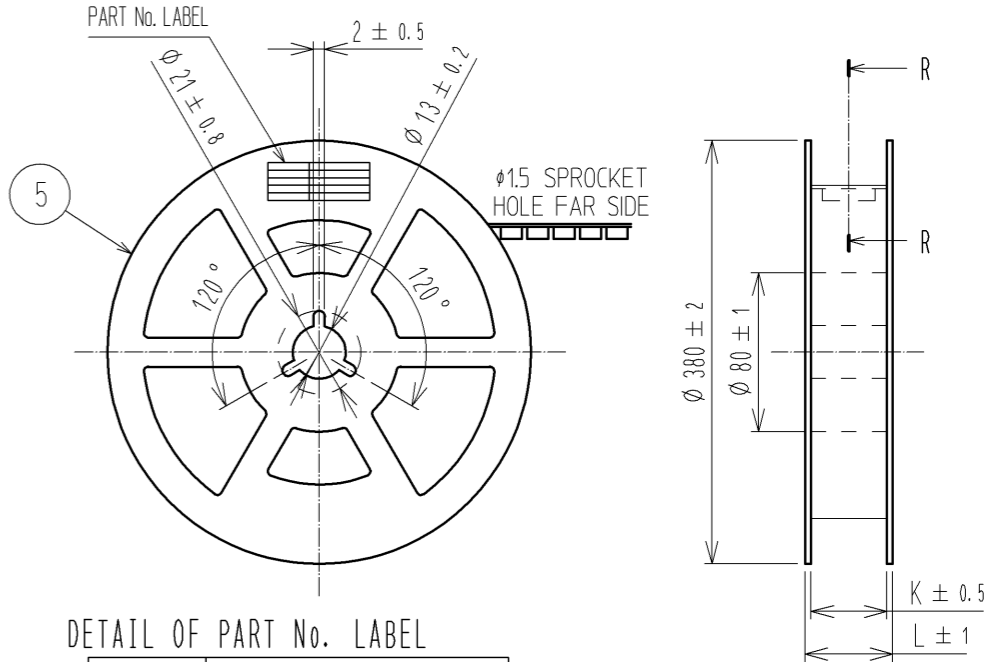
### EMBOSSED CARRIER TAPE PACKAGING (5:1)



### D-D (5:1)



### STYLE AND DIMENTION OF REEL (FREE)



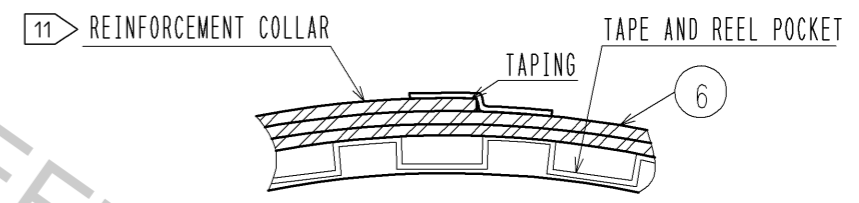
### DETAIL OF PART No. LABEL

製造年月日	** ** *
製品コード	CL684-****-***
製品名	BM14B(0.8)-*DS-0.4V(51)
数量	8,000
納入者	ヒロセ電機(株)

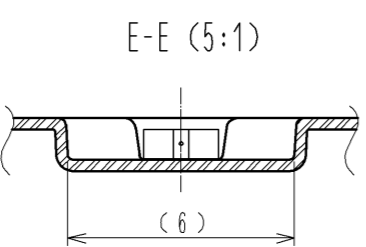
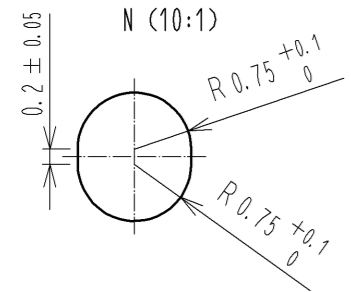
### DATE OF MANUFACTURED

CODE No.  
PART No.  
QUANTITY  
SUPPLIER

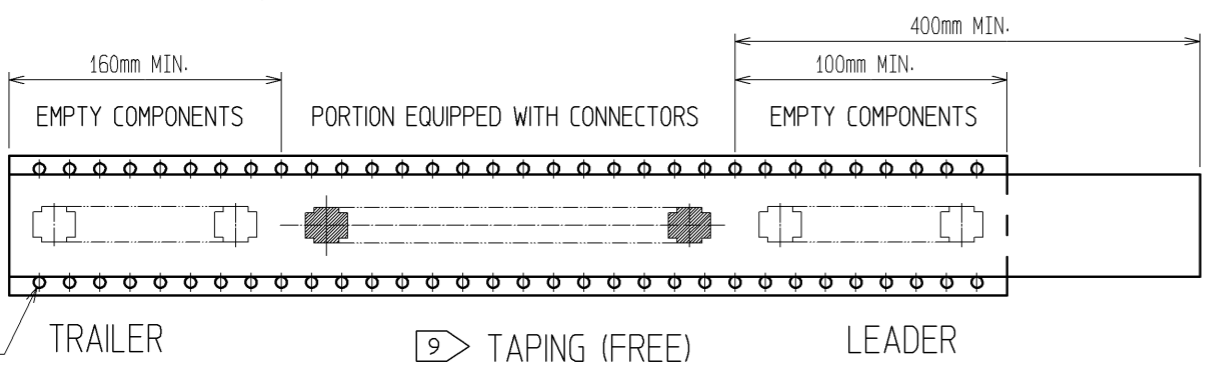
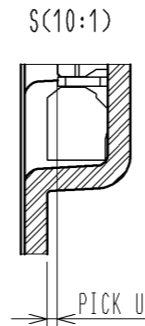
### R-R (FREE)



PART No.	F	G	H	J	K	L	M
BM14B(0.8)-10DS-0.4V(51)	16	7.5	2.58	4.7	17.5	21.5	—
BM14B(0.8)-12DS-0.4V(51)	16	7.5	2.98	5.1	17.5	21.5	—
BM14B(0.8)-20DS-0.4V(51)	16	7.5	4.58	6.7	17.5	21.5	—
BM14B(0.8)-22DS-0.4V(51)	16	7.5	4.98	7.1	17.5	21.5	—
BM14B(0.8)-24DS-0.4V(51)	16	7.5	5.38	7.5	17.5	21.5	—
BM14B(0.8)-30DS-0.4V(51)	24	11.5	6.58	8.7	25.5	29.5	—
BM14B(0.8)-34DS-0.4V(51)	24	11.5	7.38	9.5	25.5	29.5	—
BM14B(0.8)-40DS-0.4V(51)	24	11.5	8.58	10.7	25.5	29.5	—
BM14B(0.8)-50DS-0.4V(51)	24	11.5	10.58	12.7	25.5	29.5	—
BM14B(0.8)-60DS-0.4V(51)	24	11.5	12.58	14.7	25.5	29.5	—



DIRECTION OF UNREELING →



- PER REEL 8000 CONNECTORS.
- THE DIMENSIONS IN PARENTHESES ARE FOR REFERENCE.
- REFER TO JIS C 0806(PACKAGING OF COMPONENTS FOR AUTOMATIC HANDLING)
- EMBOSSED CARRIER TAPE USED ON 10 TO 60 POSITIONS HAS THE SPROCKET HOLE ON ONE SIDE.
- AFTER PACKAGING, ROLL 2 METERS OF THE REINFORCEMENT COLLAR TO OUTER CIRCUMFERENCE OF TAPE AND REEL POCKET, AND TAPE DOWN AT THE END THE COLLAR.

<b>HRS</b>	DRAWING NO.	EDC3-322327-04
	PART NO.	BM14B(0.8)-*DS-0.4V(51)
	CODE NO.	CL684