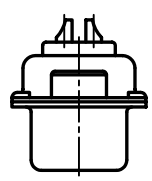
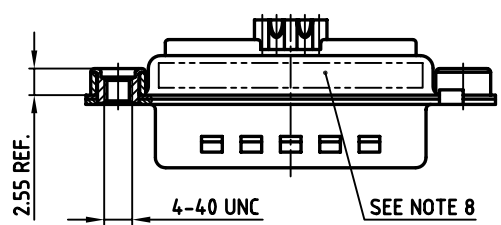
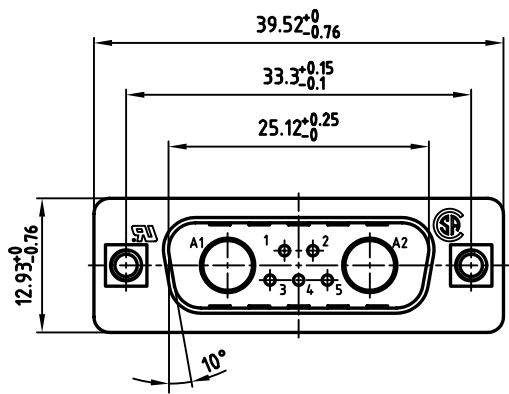
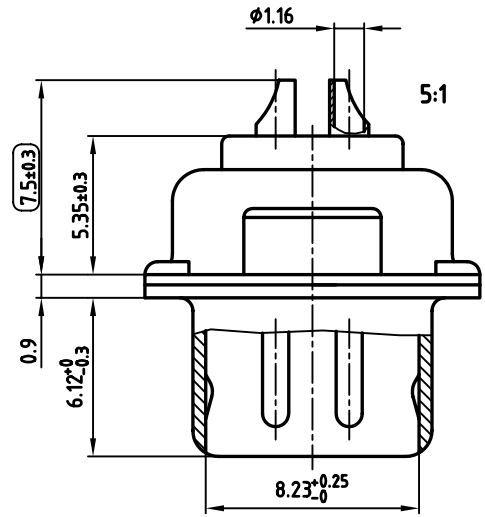


used for: D-SUB COMBINATION



NOTES:

- 1. METALSHELLS: STEEL; min. 320µ" TIN
- 2. INSULATORS: PBT GF UL 94 V-0, GREEN
- 3. SIGNAL CONTACTS: COPPER ALLOY  
PLATING: 30µ" HARD GOLD OVER min. 50µ" NICKEL  
SOLDER CUP ACCEPTS CABLE AWG 20
- 4. NO CONTACTS ON POS. A1 + A2
- 5. THREADED INSERT: COPPER ALLOY; min. 200µ" TIN over 80µ" NICKEL
- 6. COLLAR: COPPER ALLOY; min. 200µ" TIN over 80µ" NICKEL
- 7. MAXIMUM TORQUE VALUE FOR THREAD: 6" LBS
- 8. CONNECTOR IS PART MARKED: 3007W2PCM99A30X CONEC ABC
- 9. = CHECK DIMENSION

Directive 2002/95/EC  
 „RoHS“  
 Compliant

APPROVAL # FREIGABE # DEBLOCAGE # AUTORIZACION # APPROVAL	
CUSTOMER APPROVAL DATE:	
NAME:	TITLE:
COMPANY NAME:	
APPROVAL # FREIGABE # DEBLOCAGE # AUTORIZACION # APPROVAL	

THIS DRAWING MAY NOT BE COPIED OR REPRODUCED IN ANY WAY, AND MAY NOT BE PASSED ON TO A THIRD PARTY, WITHOUT WRITTEN PERMISSION.  
 OWNERSHIP AND COPYRIGHT OF CONEC GmbH  
 DO NOT ALTER CAD DRAWING BY HAND

rev.	description	date	name

tolerance		dim. in mm
2005	date	
drawn	19.08.	name
appd.	19.08.	Mickenbecker
norm		
d-old		

scale:	2:1 (5:1)	
material:	SEE NOTES	
title:	<b>D-SUB COMBINATION MALE</b> 7W2P SOLDER CUP with threaded insert	
dwg no:	AutoCAD 2004	DIN-A
	13K1A1446	3
		sh: 1/1
part no:	3007W2PCM99A30X	

