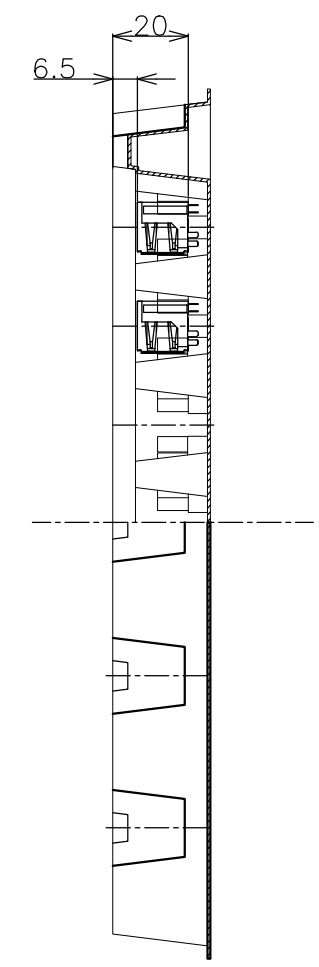
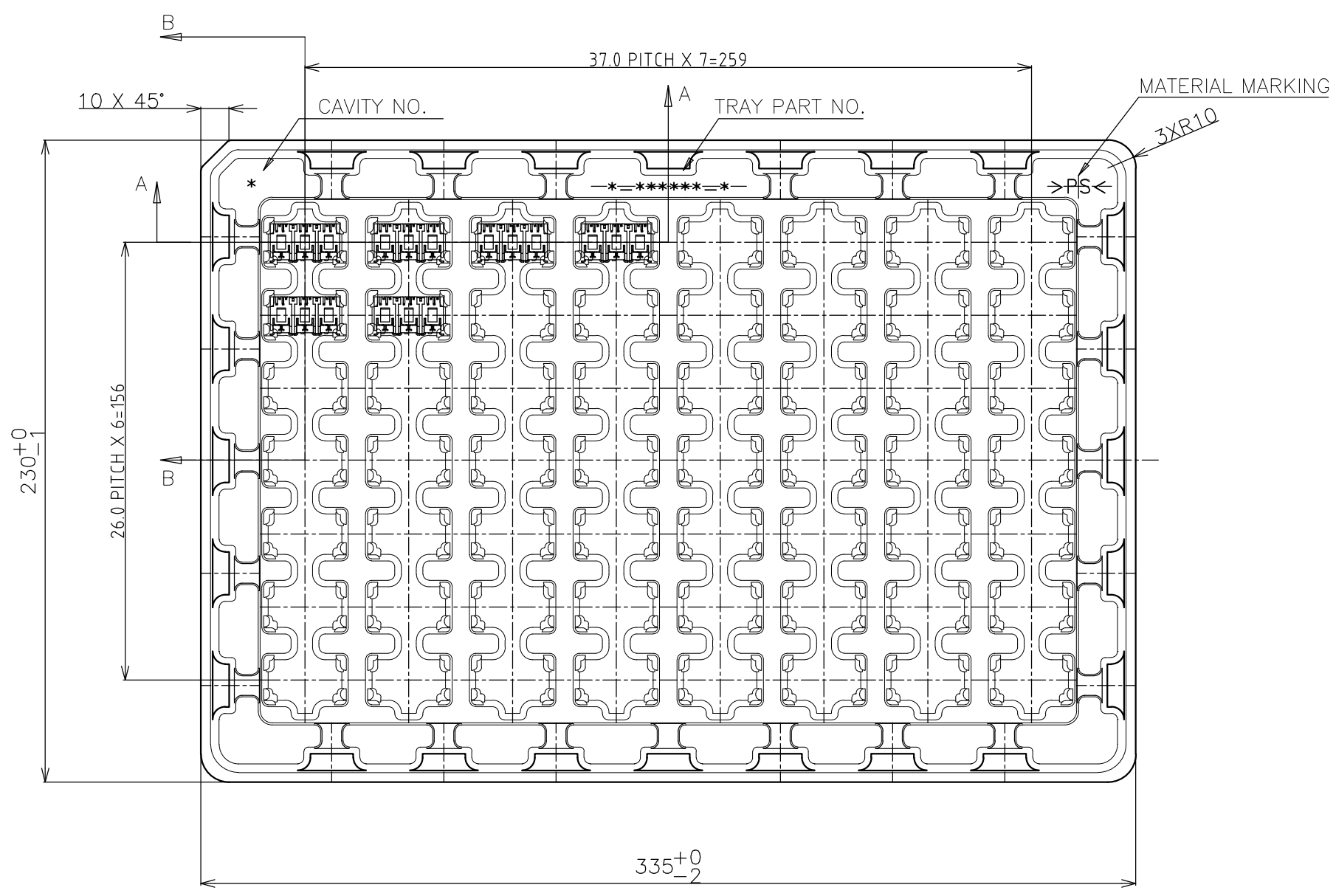
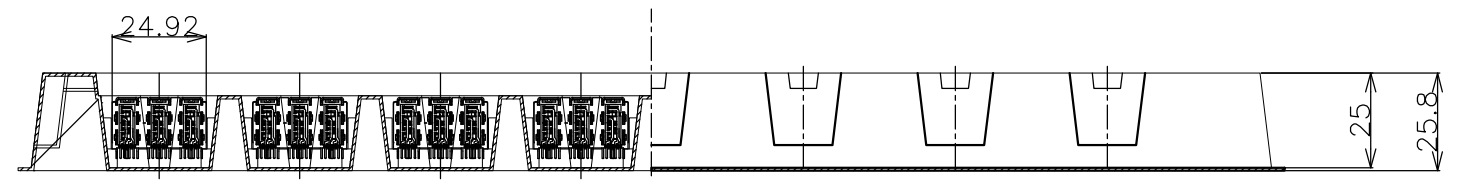


THIS DRAWING IS UNPUBLISHED. RELEASED FOR PUBLICATION
 © COPYRIGHT BY TYCO ELECTRONICS CORPORATION. ALL RIGHTS RESERVED.

LOC ES	DIST /	REVISIONS			
P	LTR	DESCRIPTION	DATE	DWN	APVD
	P	REVISED PER ECR-15-016523	16NOV2015	T.Z	H.W



SECTION B-B



SECTION A-A

Ⓟ OBSOLETE	△	1674456=3
FINISH		PART NO.

THIS DRAWING IS A CONTROLLED DOCUMENT.		DWN B.WONG 30NOV05	tyco Electronics Tyco Electronics Corporation Shanghai, P.R.China, 200233	
DIMENSIONS: MM		CHK G.ZHANG 30NOV05		
TOLERANCES UNLESS OTHERWISE SPECIFIED:		APVD S.YAO 30NOV05	NAME	
0 PLC ± 0.3		PRODUCT SPEC		
1 PLC ± 0.3		APPLICATION SPEC		
2 PLC ± 0.3		SIZE	CAGE CODE	DRAWING NO
3 PLC ± 0.3		A3	00779	C-1674456
4 PLC ± 0.3		RESTRICTED TO		
ANGLES ± 3°		CUSTOMER DRAWING		
FINISH		SCALE	SHEET	REV
△ 1		2:1	1 OF 3	P

THIS DRAWING IS UNPUBLISHED. RELEASED FOR PUBLICATION

© COPYRIGHT BY TYCO ELECTRONICS CORPORATION. ALL RIGHTS RESERVED.

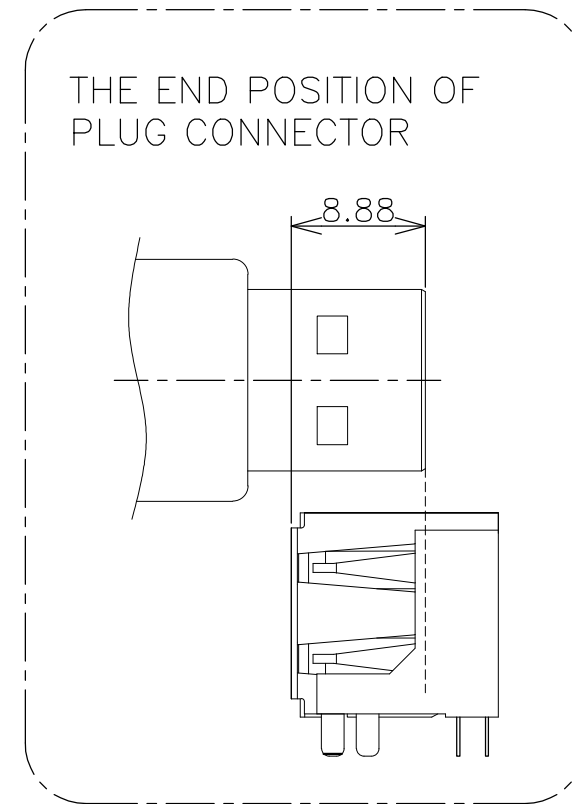
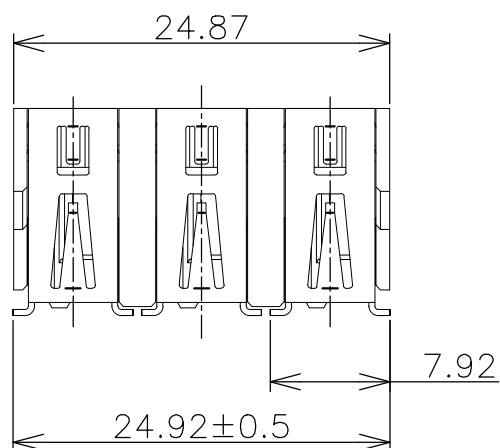
LOC
ES

DIST
/

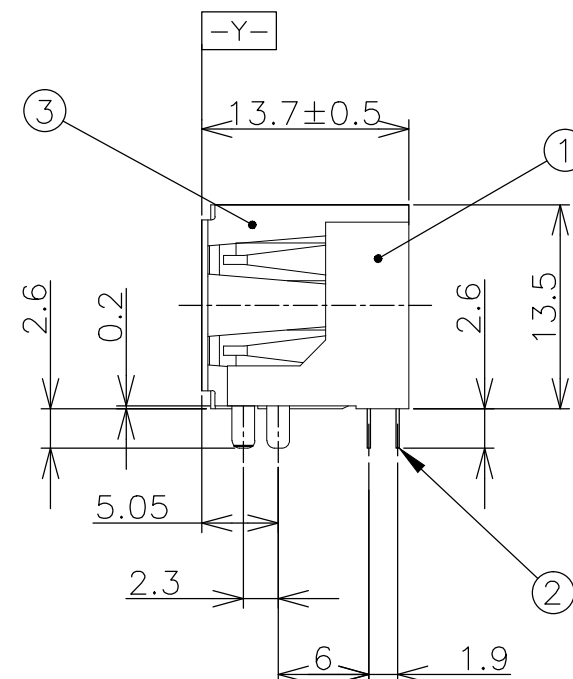
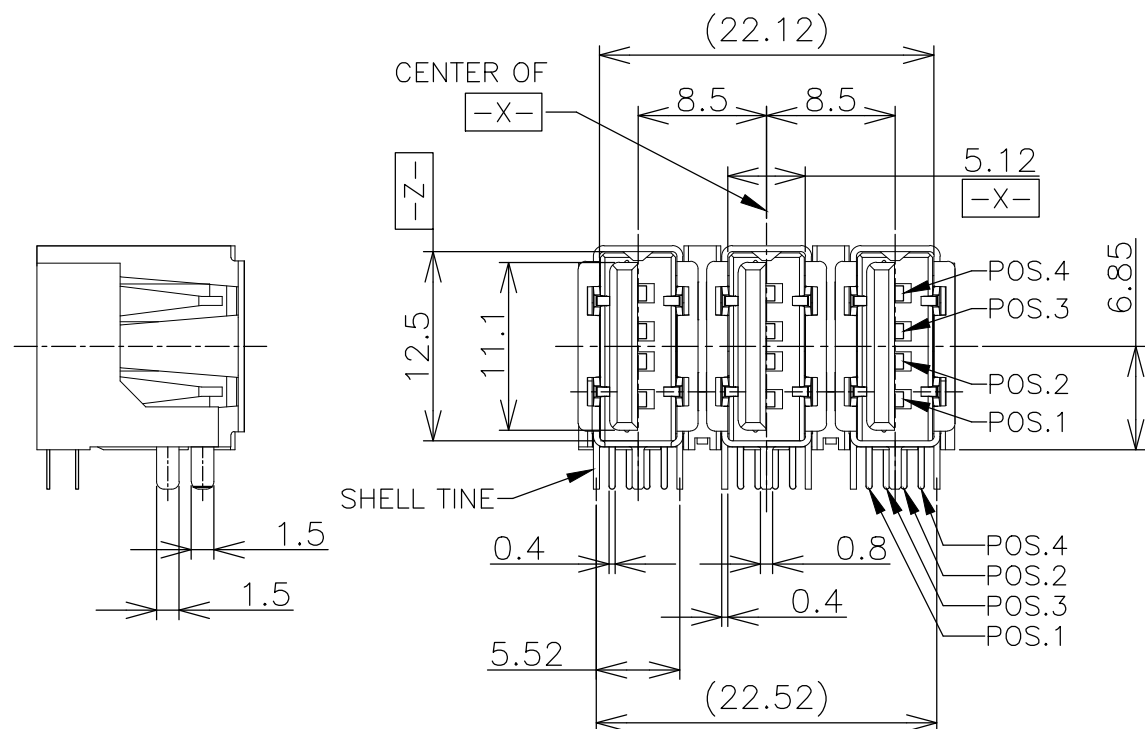
REVISIONS

P	LTR	DESCRIPTION	DATE	DWN	APVD
		SEE SHEET 1			

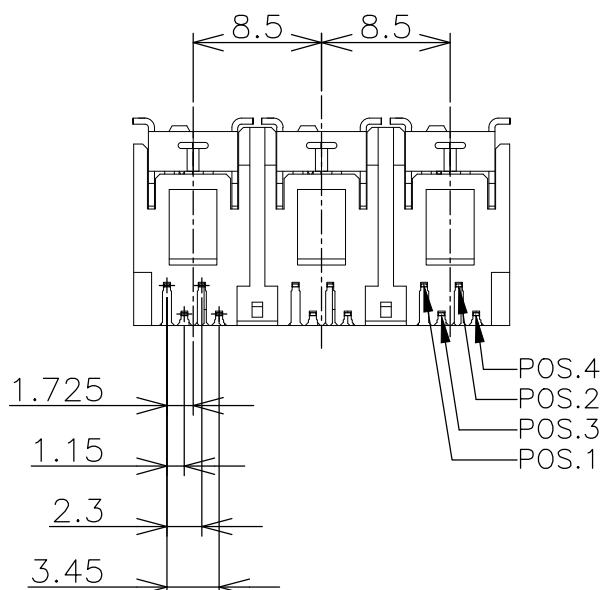
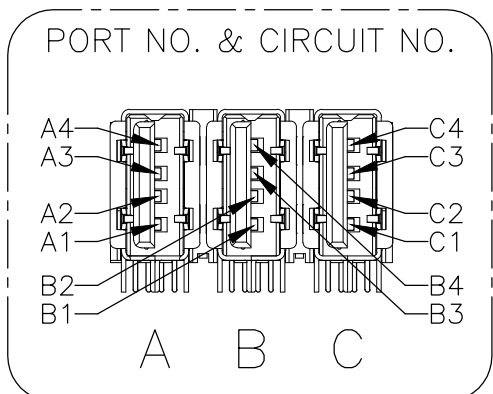
FRONT SHELL	③
CONTACT	②
HOUSING	①
NAME	ITEM No.



THE END POSITION OF PLUG CONNECTOR

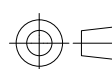


- ① MATERIAL
HOUSING: THERMO-PLASTICS UL94V-0 BLACK
CONTACT: COPPER ALLOY
FRONT SHELL: COPPER ALLOY
- ② FINISH
CONTACT: NICKEL UNDER PLATE ALL OVER.
CONTACT AREA: GOLD PLATE
TINE AREA: TIN PLATING
FRONT SHELL: TIN PLATE



THIS DRAWING IS A CONTROLLED DOCUMENT.

DIMENSIONS:
MM



TOLERANCES UNLESS OTHERWISE SPECIFIED:	
0 PLC	± 0.3
1 PLC	± 0.3
2 PLC	± 0.3
3 PLC	± 0.3
4 PLC	± 0.3
ANGLES	± 3°
FINISH	

MATERIAL

DWN	
CHK	
APVD	
PRODUCT SPEC	
APPLICATION SPEC	
WEIGHT	



Tyco Electronics Corporation
Shanghai, P.R.China, 200233

NAME

HARD TRAY ASSY
USB CONNECTOR
REC 3P

SIZE

CAGE CODE

DRAWING NO

RESTRICTED TO

A3

00779

C-1674456

CUSTOMER DRAWING

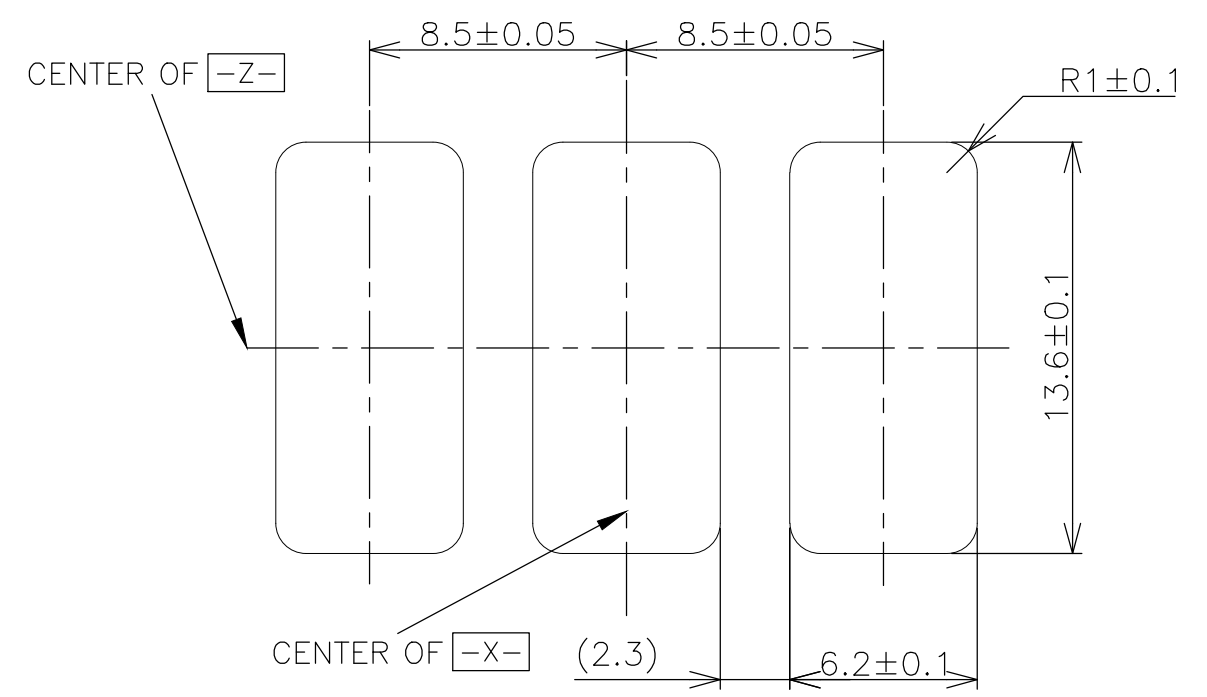
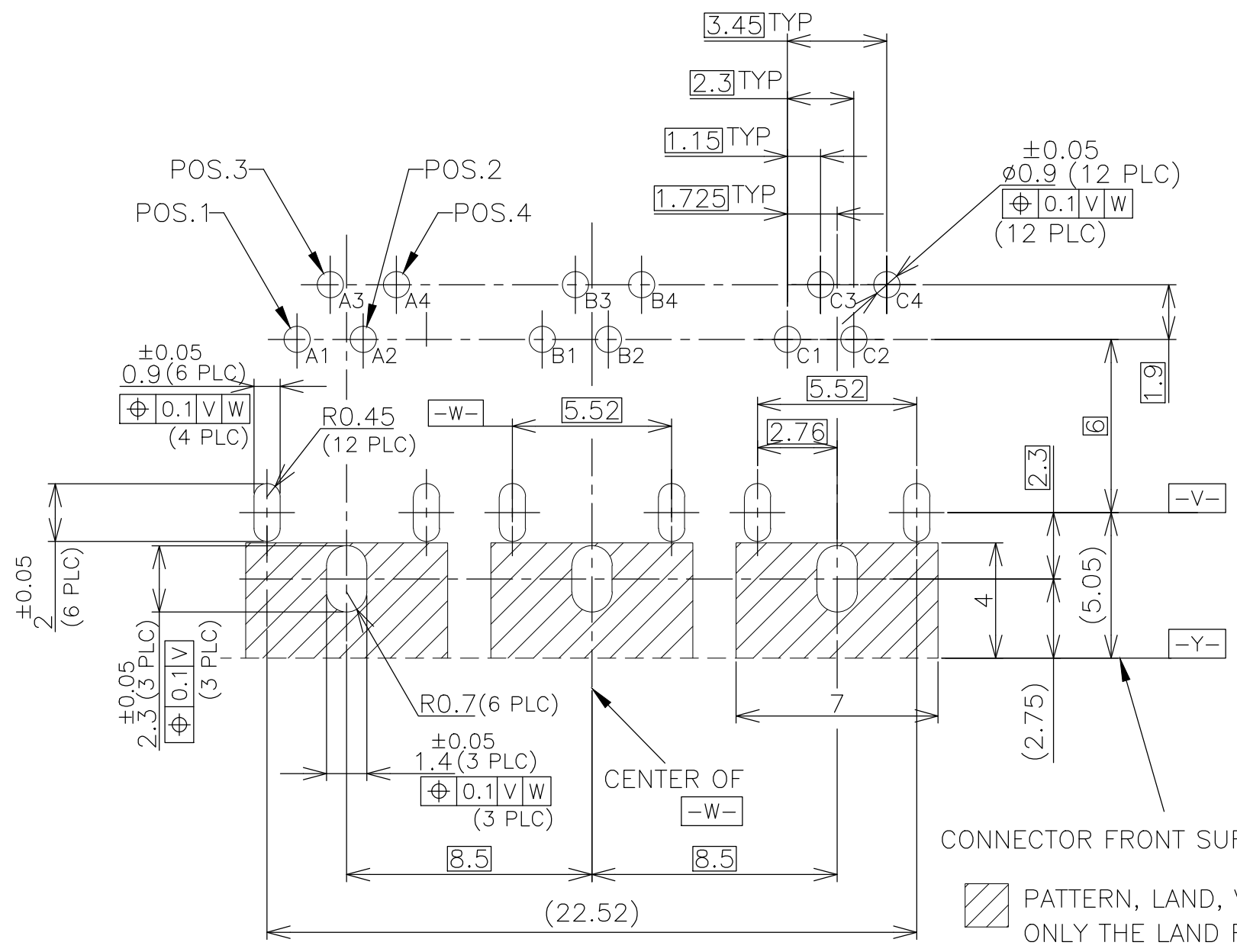
SCALE 2:1

SHEET 2 OF 3

REV P

THIS DRAWING IS UNPUBLISHED. RELEASED FOR PUBLICATION
 © COPYRIGHT - BY TYCO ELECTRONICS CORPORATION. ALL RIGHTS RESERVED.

LOC	DIST	REVISIONS			
P	LTR	DESCRIPTION	DATE	DWN	APVD
ES	/	SEE SHEET 1	-	-	-



* THIS DIMENSIONS ARE NOT CONSIDERATION PANEL TOLERANCE AND PANEL ASSEMBLY TOLERANCE.

RECOMMENDED PANEL DIMENSION (SCALE 4:1)

PATTERN, LAND, VIA HOLE, MOUNT, PROHIBITION AREA.
 ONLY THE LAND FOR SOLDERING OF FRONT SHELL IS OK.

RECOMMENDED LAYOUT OF P.C.B (CONNECTOR MOUNTING SIDE)
 RECOMMENDED THICKNESS: 1.0~1.6mm

THIS DRAWING IS A CONTROLLED DOCUMENT.		DWN		Tyco Electronics Corporation Shanghai, P.R.China, 200233	
DIMENSIONS: MM		CHK		NAME	
		APVD		HARD TRAY ASSY USB CONNECTOR REC 3P	
TOLERANCES UNLESS OTHERWISE SPECIFIED:		PRODUCT SPEC		SIZE	
0 PLC ± 0.3		APPLICATION SPEC		CAGE CODE	
1 PLC ± 0.3		WEIGHT		DRAWING NO	
2 PLC ± 0.3		CUSTOMER DRAWING		RESTRICTED TO	
3 PLC ± 0.3		SCALE 5:1		SHEET 3 OF 3	
4 PLC ± 0.3		REV P			
ANGLES ± 3°					
FINISH					