

Compensated High Inductance Choke, 3-phase



**Description**

- Current compensated choke
- 3-phase choke
- THT-terminals
- Flange for mounting onto printed circuit board
- Fully potted resin

**Standards**

- EN 60938
- UL 1283
- CSA 22.2 no 8

**Applications**

- Placed in front of frequency converter
- Stepper motor drives
- UPS-systems
- Inverter

**Weblinks**

[pdf datasheet](#), [html-datasheet](#), [General Product Information](#), [Approvals](#), [CE declaration of conformity](#), [RoHS](#), [CHINA-RoHS](#), [REACH](#), [Distributor-Stock-Check](#), [Detailed request for product](#)

**Technical Data**

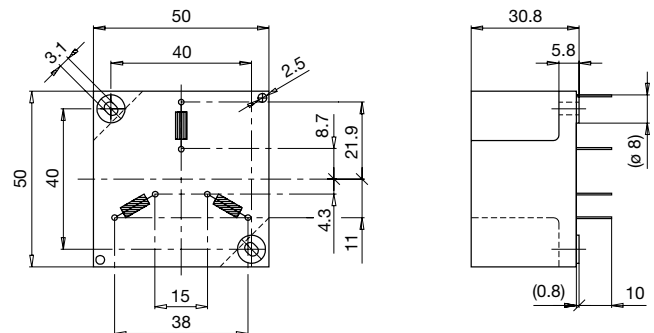
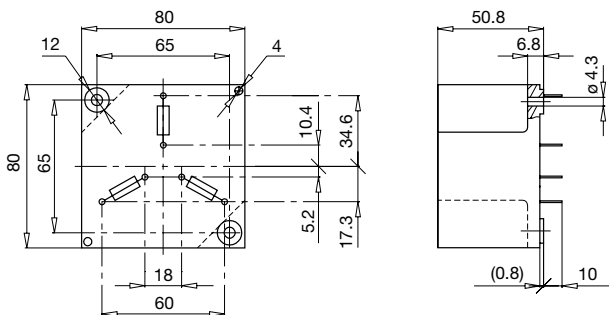
Rated voltage	up to 540 VAC	Test Voltage	2.5kV, 50Hz, 2 sec, winding to winding
	up to 760 VDC	Isolation Voltage	2.5kV eff., 50Hz, 2sec, winding to ambient
Rated Current	3 - 8A @ Ta 40 °C	Climatic Category	25/100/21 acc. to IEC 60068-1
Rated inductance	4.0 - 50mH, Tol. -30% +50%	Allowable Operation Temp.	-25 °C to 100 °C
Power Operating Frequency	50 - 400Hz		
Terminal Type	THT		
Weight	142 - 501 g		
Material: Housing	UL 94V-0		
Sealing Compound	UL 94V-0		

Detailed information on product approvals, code requirements, usage instructions and detailed test conditions can be looked up in [General Product Information](#)

**Dimension**

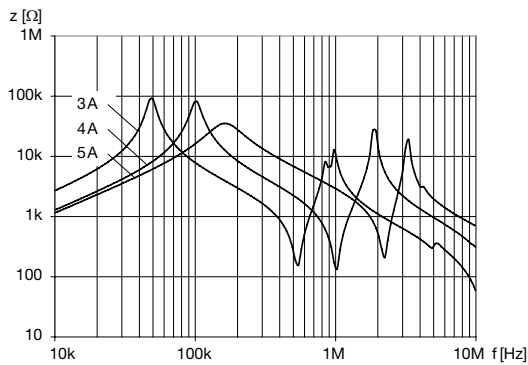
Case 31-3P

Case 46-3P

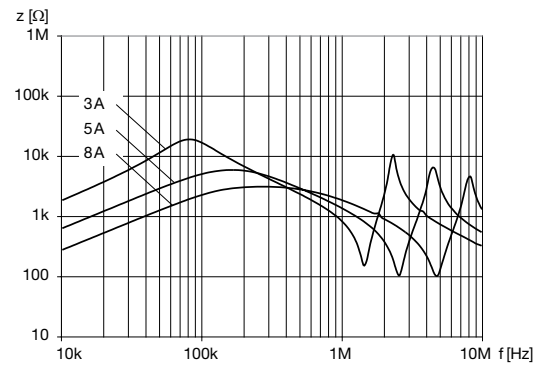


Impedance curves

DKLL-0331-xxxx



DKLL-0346-xxxx



All Variants

$I_n$ [A]	$L_n$ [mH]	$R_{Cu}$ [mΩ]	Power <sub>loss</sub> [W]	$f_{RES}$ [MHz]	Copper $\phi$ [mm]	Weight [g]	Housings	Packing unit [pcs.]	Order Number
3	50	260	7	0.055	0.71	497 g	31-3P	2	DKLL-0331-0350
4	30	155	7.5	0.075	0.8	501 g	31-3P	2	DKLL-0331-0430
5	20	100	7.5	0.145	0.9	500 g	31-3P	2	DKLL-0331-0520
3	30	130	3.5	0.13	0.71	147 g	46-3P	10	DKLL-0346-0330
5	10	48	3.6	0.15	0.9	142 g	46-3P	10	DKLL-0346-0510
8	4	22	4.2	0.4	1.12	147 g	46-3P	10	DKLL-0346-0804

Availability for all products can be searched real-time: <http://www.schurter.com/en/Stock-Check/Stock-Check-SCHURTER>