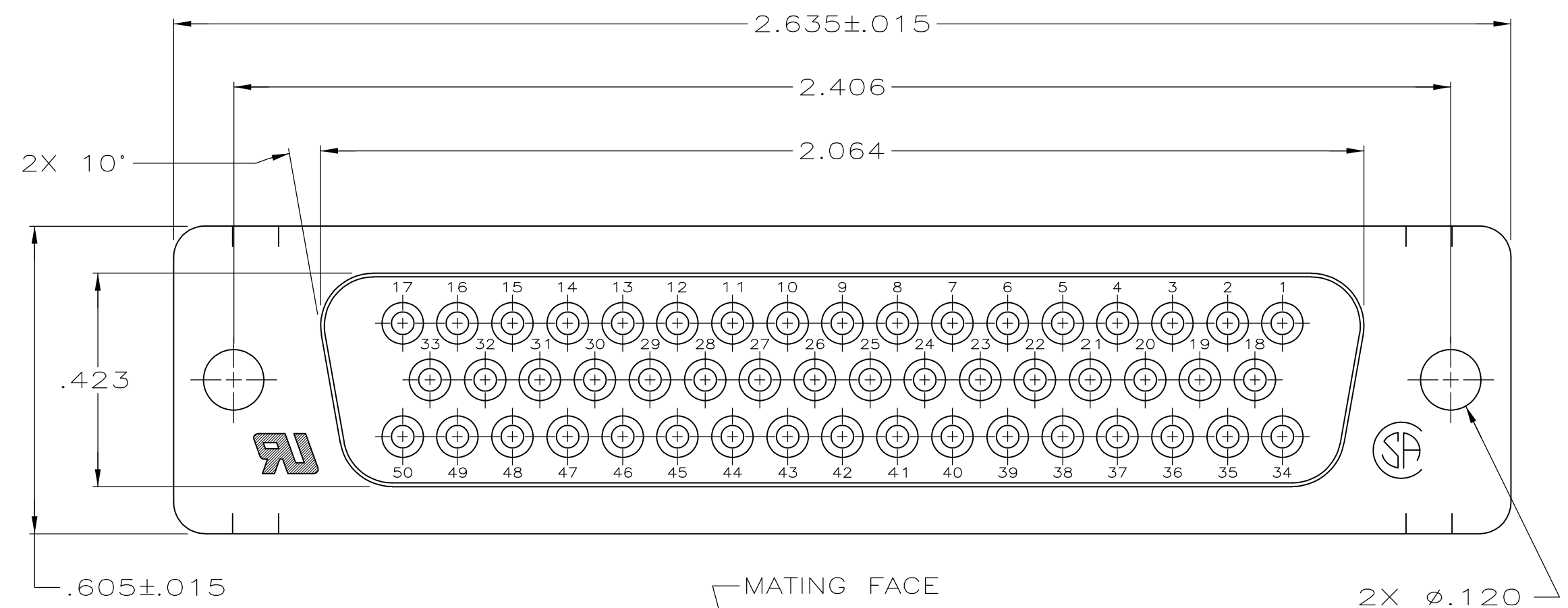
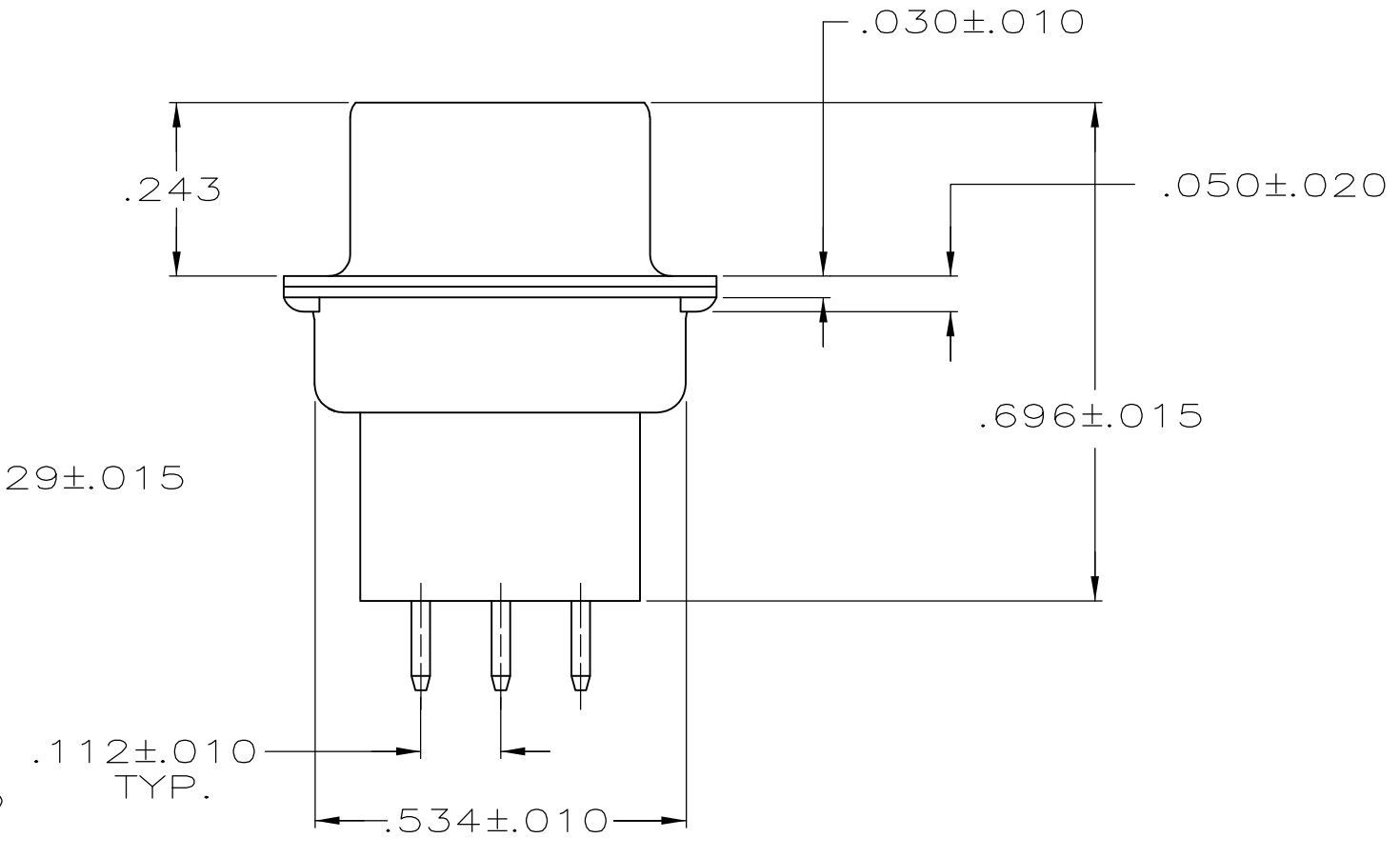
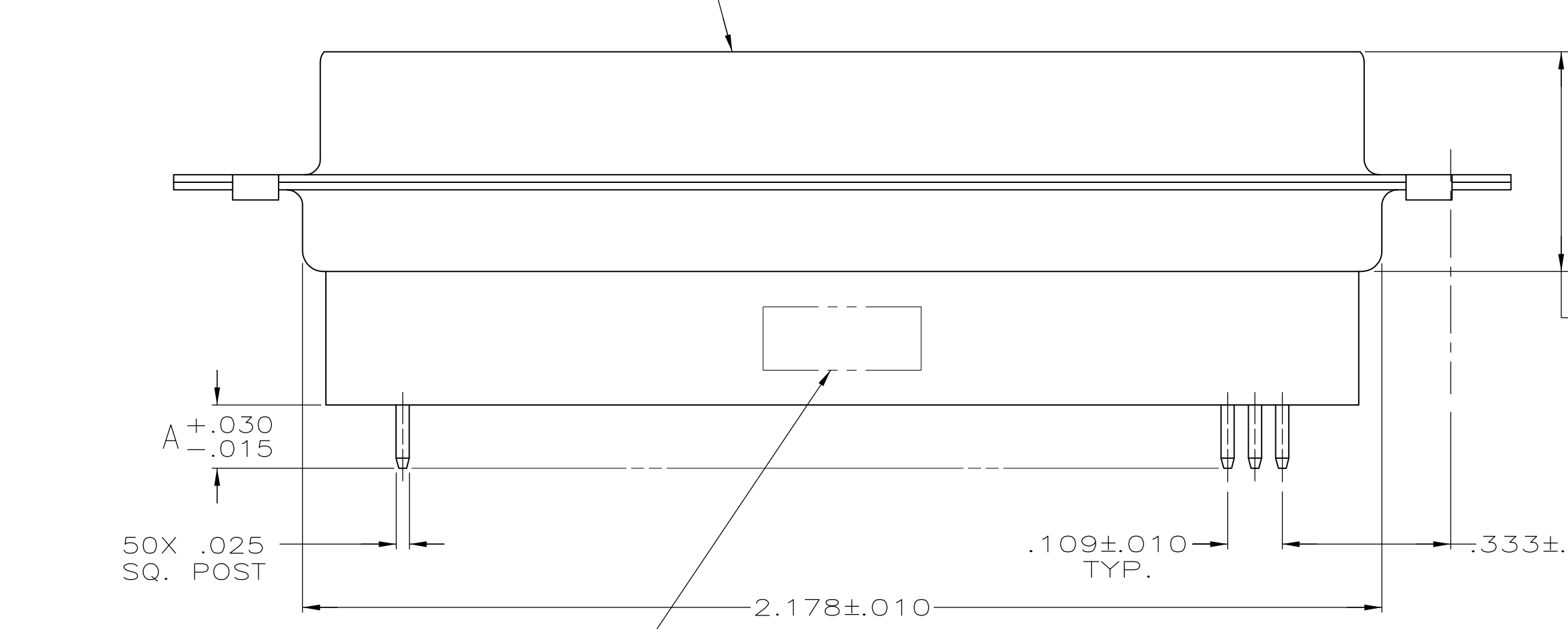


THIS DRAWING IS UNPUBLISHED. RELEASED FOR PUBLICATION
 © COPYRIGHT BY TYCO ELECTRONICS CORPORATION. ALL RIGHTS RESERVED.

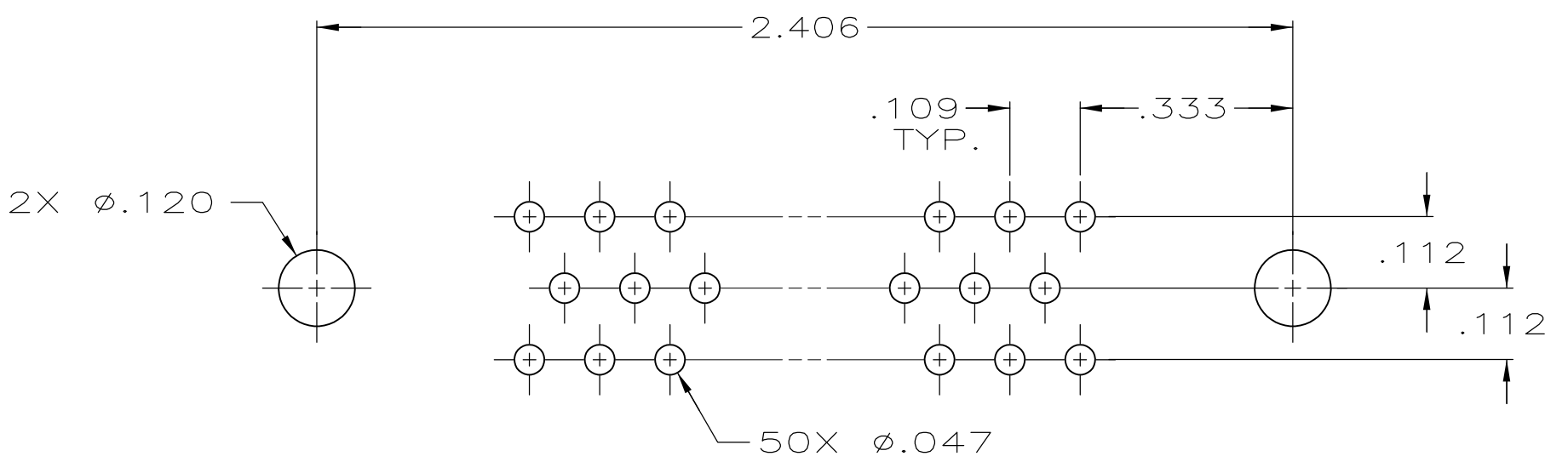
LOC		DIST		REVISIONS			
P	LTR	DESCRIPTION	DATE	DWN	APVD		
GP	00	M	REVISED PER ECO-10-000073	18FEB2010	CJV	SB	



- 1. NOTE DELETED.
- 2. MOLDED PARTS: FLAME RETARDANT 94V-0 RATED THERMOPLASTIC
SHELLS: STEEL
CONTACTS: BRONZE.
- 3. GOLD FLASH ON MATING END, .000100 MIN TIN-LEAD
ON SOLDER END, ALL OVER .000050 MIN NICKEL.
- 4. .000030 MIN GOLD ON MATING END, .000100 MIN TIN-LEAD ON OPPOSITE
END, ALL OVER .000050 MIN NICKEL.
-OR-
GOLD FLASH OVER PALLADIUM-NICKEL .000030 MIN TOTAL ON MATING END,
.000100 MIN TIN-LEAD ON OPPOSITE END, ALL OVER .000050 MIN NICKEL.
- 5. .000200 MIN TIN OVER .000100 MIN COPPER.



"AMP", PART NO. & DATE CODE, STAMPED
IN AREA INDICATED, ON FAR SIDE



P.C. BOARD MOUNTING DIMENSIONS

SUPSD BY	FINISH	DIMENSION A	PART NUMBER
SUPSD BY 745191-7	3	.188	745191-8
	4	.188	745191-7
OBSOLETE	3	.651	745191-6
SUPSD BY 205740-5	4	.651	745191-5
OBSOLETE	3	.427	745191-4
OBSOLETE	4	.427	745191-3
SUPSD BY 745191-1	3	.125	745191-2
	4	.125	745191-1

THIS DRAWING IS A CONTROLLED DOCUMENT.		DWN J.GERACE 10-24-83	Tyco Electronics Corporation Harrisburg, PA 17105-3608	
DIMENSIONS: INCHES		CHK J.GERACE 10-24-83	NAME B. TAYLOR	
TOLERANCES UNLESS OTHERWISE SPECIFIED: 0 PLC ± - 1 PLC ± - 2 PLC ± - 3 PLC ± .005 4 PLC ± - ANGLES ± 2°		APVD B. TAYLOR 1-4-84	PRODUCT SPEC 108-40025	
MATERIAL		FINISH	APPLICATION SPEC 114-40013	SIZE A2
SHELLS: 5		CONTACTS: SEE TABLE	WEIGHT -	CAGE CODE 00779
			CUSTOMER DRAWING	DRAWING NO C=745191
				RESTRICTED TO -
				SCALE NTS
				SHEET 1 of 1
				REV M