

Thermofit[®] Molded Parts Specification Control Drawing

Part Number : 342A3XX
Description : Splice Encapsulator

NOTES

- All dimensions are in $\frac{\text{inches}}{\text{[millimeters]}}$
- Dimensions appearing in table are as follows:
a - As Supplied
b - After Unrestricted Recovery
- Coating is optional. As supplied dimensions appearing in table are for uncoated parts. When coating is added, entry diameters will be reduced by .06 max.

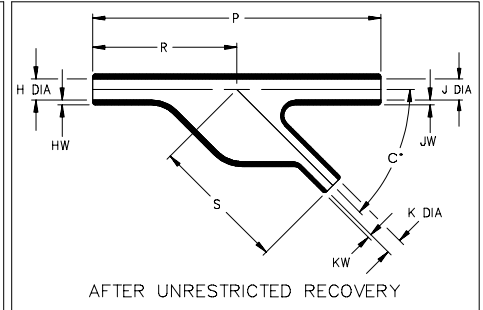
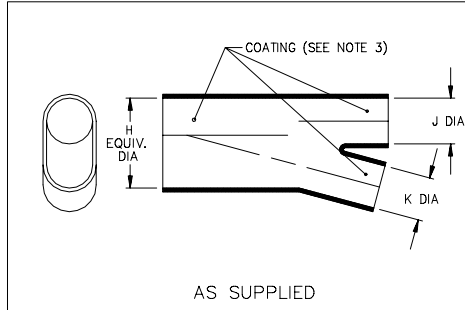


TABLE OF DIMENSIONS

PART NUMBER	H		J		K		P ±10%	R ±10%	S ±10%	HW ±20%	JW ±20%	KW ±20%	C ±5%
	Min a	Max b	Min a	Max b	Min a	Max b							
342A313	1.10 [27,9]	.39 [9,9]	.71 [18,0]	.39 [9,9]	.52 [13,2]	.29 [7,3]	4.50 [114,3]	2.25 [57,1]	2.12 [53,8]	.08 [2,0]	.08 [2,0]	.06 [1,5]	45°
342A323	1.62 [41,1]	.55 [14,0]	.95 [24,1]	.55 [14,0]	.52 [13,2]	.33 [8,4]	5.44 [138,2]	2.97 [75,4]	2.67 [67,8]	.10 [2,5]	.10 [2,5]	.06 [1,5]	45°

If this document is printed it becomes uncontrolled.
Check for the latest revision.

Raychem

RAYCHEM CORPORATION
300 CONSTITUTION DRIVE
MENLO PARK, CALIFORNIA 94025
(415) 361-6055

Revision : J
Date : 8/6/92

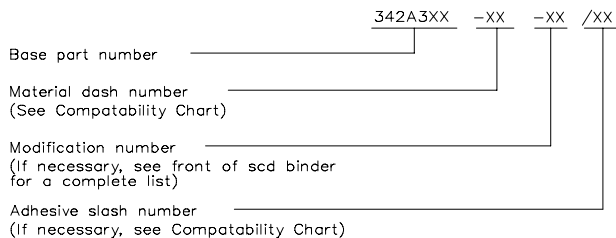
Part Number : 342A3XX
Description : Splice Encapsulator

Thermofit[®] Molded Parts Specification Control Drawing

Part Number : 342A3XX
Description : Splice Encapsulator

COMPATABILITY CHART						
MATERIAL DASH NO.	MATERIAL DESCRIPTION	RT SPEC	COATING SLASH NO.	COATING S NO.	COATING DESCRIPTION	
-3	Polyolefin, Semi-rigid	RT-301	/42, /87	S-1017, S-1052	Adhesive	
-4	Polyolefin, Flexible	RT-1304	/42, /87	S-1017, S-1052	Adhesive	
-25	Elastomer, Fluid Resistant	RT-1325	/42, /87	S-1017, S-1052	Adhesive	

ORDERING INFORMATION



THIS DRAWING IS SUBJECT TO CHANGE WITHOUT NOTICE; CONSULT YOUR NEAREST FIELD REPRESENTATIVE FOR CURRENT REVISION

Raychem

RAYCHEM CORPORATION
300 CONSTITUTION DRIVE
MENLO PARK, CALIFORNIA 94025
(415) 361-6055

Revision : J
Date : 8/6/92

Part Number : 342A3XX
Description : Splice Encapsulator

CAD FILE MP92330