

**NCT5577D**  
**Nuvoton LPC I/O**

Date: April 13<sup>th</sup>, 2011 Revision 1.1

**Table of Contents –**

1.	GENERAL DESCRIPTION .....	1
2.	FEATURES .....	2
3.	BLOCK DIAGRAM .....	5
4.	PIN LAYOUT .....	6
5.	PIN DESCRIPTION.....	7
5.1	LPC Interface .....	8
5.2	Serial Port Interface .....	8
5.3	KBC Interface.....	8
5.4	CIR Interface.....	9
5.5	Hardware Monitor Interface .....	9
5.6	Intel® PECL Interface .....	10
5.7	Advanced Configuration & Power Interface.....	10
5.8	Advanced Sleep State Control.....	10
5.9	SMBus Interface .....	11
5.10	Power Pins.....	11
5.11	AMD Power-On Sequence .....	11
5.12	AMD SB-TSI Interface .....	12
5.13	Dual Voltage Control.....	12
5.14	DSW.....	12
5.15	IR .....	12
5.16	General Purpose I/O Port .....	13
5.16.1	GPIO-2 Interface .....	13
5.16.2	GPIO-3 Interface .....	13
5.16.3	GPIO-4 Interface .....	14
5.16.4	GPIO-5 Interface .....	14
5.16.5	GPIO-7 Interface .....	14
5.16.6	GPIO-8 Interface .....	15
5.16.7	GPIO-9 Interface .....	16
5.16.8	GPIO-A Interface .....	16
5.17	Strapping Pins.....	16
5.18	Internal pull-up, pull-down pins .....	17
6.	GLUE LOGIC .....	18
6.1	ACPI Glue Logic .....	18
6.2	BKFD_CUT & LATCH_BKFD_CUT.....	20
6.3	PSON# Block Diagram .....	21
6.4	PWROK .....	22
6.5	Front Panel LEDs.....	23
6.5.1	Automatic Mode .....	23
6.5.2	Manual Mode .....	24
6.5.3	S0~S5 LED Blink Block Diagram .....	25
6.5.4	LED Pole (LED_POL ) .....	25
6.5.5	Deeper Sleeping State Detect Function .....	26
6.6	Advanced Sleep State Control (ASSC) Function .....	28
6.6.1	When ASSC is disabled .....	28
6.6.2	When ASSC is enabled (Enter into Deeper Sleeping State).....	28
6.6.3	When ASSC is enabled (Exit Deeper Sleeping State) .....	29

6.7	Intel DSW Function .....	30
6.7.1	Enter DSW State timing diagram .....	30
6.7.2	Exit DSW State timing diagram .....	31
6.8	AMD Power-On Sequence .....	32
7.	CONFIGURATION REGISTER ACCESS PROTOCOL .....	35
7.1	Configuration Sequence .....	37
7.1.1	Enter the Extended Function Mode .....	37
7.1.2	Configure the Configuration Registers .....	37
7.1.3	Exit the Extended Function Mode .....	38
7.1.4	Software Programming Example .....	38
8.	HARDWARE MONITOR .....	39
8.1	General Description .....	39
8.2	Access Interfaces .....	39
8.3	LPC Interface .....	39
8.4	I <sup>2</sup> C interface .....	41
8.5	Analog Inputs .....	42
8.5.1	Voltages Over 2.048 V or Less Than 0 V .....	43
8.5.2	Voltage Data Format .....	43
8.5.3	Temperature Data Format .....	44
8.6	PECI .....	47
8.7	Fan Speed Measurement and Control .....	49
8.7.1	Fan Speed Reading .....	49
8.7.2	Fan Speed Calculation by Fan Count Reading .....	49
8.7.3	Fan Speed Calculation by Fan RPM Reading .....	49
8.7.4	Fan Speed Control .....	49
8.7.5	SMART FAN™ Control .....	50
8.7.6	Temperature Source & Reading for Fan Control .....	50
8.8	SMART FAN™ I .....	51
8.8.1	Thermal Cruise Mode .....	51
8.8.2	Speed Cruise Mode .....	52
8.9	SMART FAN™ IV & Close Loop Fan Control Mode .....	54
8.9.1	Step Up Time / Step Down Time .....	57
8.9.2	Fan Output Start-up Value .....	57
8.9.3	Fan Output Stop Value .....	57
8.9.4	Fan Output Stop Time .....	58
8.9.5	Fan Output Step .....	58
8.9.6	Revolution Pulse Selection .....	58
8.9.7	Weight Value Control .....	59
8.10	Alert and Interrupt .....	60
8.10.1	SMI# Interrupt Mode .....	61
8.10.2	Voltage SMI# Mode .....	61
8.10.3	Fan SMI# Mode .....	61
8.10.4	Temperature SMI# Mode .....	61
8.10.5	OVT# Interrupt Mode .....	66
8.11	Power Measurement .....	67
9.	HARDWARE MONITOR REGISTER SET .....	69
9.1	Address Port (Port x5h) .....	69
9.2	Data Port (Port x6h) .....	69

9.3	SYSFANOUT PWM Output Frequency Configuration Register – Index 00h (Bank 0)	69
9.4	SYSFANOUT Output Value Select Register – Index 01h (Bank 0)	70
9.5	CPUFANOUT PWM Output Frequency Configuration Register – Index 02h (Bank 0)	71
9.6	CPUFANOUT Output Value Select Register – Index 03h (Bank 0)	72
9.7	SYSFANOUT Configuration Register I – Index 04h (Bank 0)	72
9.8	Reserved Register – Index 05h ~ 0Fh (Bank 0)	73
9.9	Reserved Register – Index 10h (Bank 0)	73
9.10	Reserved Register – Index 11h (Bank 0)	73
9.11	Reserved Register – Index 12-17h (Bank 0)	73
9.12	OVT# Configuration Register – Index 18h (Bank 0)	73
9.13	Reserved Registers – Index 19h ~ 1Fh (Bank 0)	73
9.14	Value RAM — Index 20h ~ 3Fh (Bank 0)	73
9.15	Configuration Register – Index 40h (Bank 0)	74
9.16	Interrupt Status Register 1 – Index 41h (Bank 0)	75
9.17	Interrupt Status Register 2 – Index 42h (Bank 0)	75
9.18	SMI# Mask Register 1 – Index 43h (Bank 0)	76
9.19	SMI# Mask Register 2 – Index 44h (Bank 0)	76
9.20	Interrupt Status Register 4 – Index 45h (Bank 0)	77
9.21	SMI# Mask Register 3 – Index 46h (Bank 0)	77
9.22	Reserved Register – Index 47h (Bank 0)	78
9.23	Serial Bus Address Register – Index 48h (Bank 0)	78
9.24	Reserved Register – Index 49h ~ 4Ah (Bank 0)	78
9.25	SMI/OVT Control Register1 – Index 4Ch (Bank 0)	78
9.26	FAN IN/OUT Control Register – Index 4Dh (Bank 0)	79
9.27	Bank Select Register – Index 4Eh (Bank 0)	79
9.28	Nuvoton Vendor ID Register – Index 4Fh (Bank 0)	80
9.29	Reserved Register – Index 50h ~ 57h (Bank 0)	80
9.30	Chip ID – Index 58h (Bank 0)	80
9.31	Reserved Register – Index 5Ah ~ 5Ch (Bank 0)	80
9.32	VBAT Monitor Control Register – Index 5Dh (Bank 0)	81
9.33	Current Mode Enable Register – Index 5Eh (Bank 0)	81
9.34	Reserved Register – Index 5F (Bank 0)	82
9.35	PORT 80 DATA INPUT Register – Index 60 (Bank 0)	82
9.36	Reserved Register – Index 61F ~ 62F (Bank 0)	82
9.37	FANOUT MAX RPM Detect Time Register – Index 65 (Bank 0)	82
9.38	MAX RPM Detect Time Configuration Register – Index 66 (Bank 0)	82
9.39	Reserved register – Index 67h ~ 72h (Bank 0)	83
9.40	MONITOR TEMPERATURE 1 Register (Integer Value)- Index 73h (Bank 0)	83
9.41	MONITOR TEMPERATURE 1 Register (Fractional Value)- Index 74h (Bank 0)	83
9.42	MONITOR TEMPERATURE 2 Register (Integer Value)- Index 75h (Bank 0)	83
9.43	MONITOR TEMPERATURE 2 Register (Fractional Value)- Index 76h (Bank 0)	84
9.44	Reserved Register - Index 77h (Bank 0)	84
9.45	Reserved Register - Index 78h (Bank 0)	84
9.46	Reserved Register – Index 79h~ADh (Bank 0)	84
9.47	PECI Temperature Reading Enable for SMIOVT and SMART FAN Control Register – Index AEh (Bank 0)	84
9.48	BEEP Control Register 1 – Index B2h (Bank0)	84

9.49	BEEP Control Register 2 – Index B3h (Bank0) .....	85
9.50	BEEP Control Register 3 – Index B4h (Bank0) .....	86
9.51	BEEP Control Register 4 – Index B5h (Bank0) .....	86
9.52	SYSFAN Monitor Temperature Source Select Register/ STOPDUTY Enable Register – Index 00h (Bank 1) .....	87
9.53	SYSFAN Target Temperature Register / SYSFANIN Target Speed_L Register – Index 01h (Bank 1) .....	88
9.54	SYSFAN MODE Register / SYSFAN TOLLERRANCE Register – Index 02h (Bank 1) .....	88
9.55	SYSFANOUT Step Up Time Register – Index 03h (Bank 1) .....	89
9.56	SYSFANOUT Step Down Time Register – Index 04h (Bank 1) .....	89
9.57	SYSFANOUT Stop Value Register – Index 05h (Bank 1) .....	89
9.58	SYSFANOUT Start-up Value Register – Index 06h (Bank 1) .....	90
9.59	SYSFANOUT Stop Time Register – Index 07h (Bank 1) .....	90
9.60	Reserved Register – Index 08h (Bank 1) .....	90
9.61	SYSFANOUT Output Value Select Register – Index 09h (Bank 1) .....	90
9.62	SYSFANIN Tolerance_H / Target Speed_H Register – Index 0Ch (Bank 1) .....	91
9.63	Reserved Register – Index 0Dh (Bank 1) .....	91
9.64	SMART FAN IV SYSFANOUT STEP Register – Index 20h (Bank 1) .....	91
9.65	SYSFAN (SMART FAN™ IV) Temperature 1 Register(T1) – Index 21h (Bank 1) .....	91
9.66	SYSFAN (SMART FAN™ IV) Temperature 2 Register(T2) – Index 22h (Bank 1) .....	92
9.67	SYSFAN (SMART FAN™ IV) Temperature 3 Register(T3) – Index 23h (Bank 1) .....	92
9.68	SYSFAN (SMART FAN™ IV) Temperature 4 Register(T4) – Index 24h (Bank 1) .....	92
9.69	SYSFAN (SMART FAN™ IV) DC/PWM 1 Register – Index 27h (Bank 1) .....	92
9.70	SYSFAN (SMART FAN™ IV) DC/PWM 2 Register – Index 28h (Bank 1) .....	93
9.71	SYSFAN (SMART FAN™ IV) DC/PWM 3 Register – Index 29h (Bank 1) .....	93
9.72	SYSFAN (SMART FAN™ IV) DC/PWM 4 Register – Index 2Ah (Bank 1) .....	93
9.73	Reserved Register – Index 2Bh~30h (Bank 1) .....	93
9.74	SYSFAN 3-Wire Enable Register – Index 31h (Bank 1) .....	94
9.75	Reserved Register – Index 32h ~ 34h (Bank 1) .....	94
9.76	SYSFAN (SMART FAN™ IV) Temperature Critical Register(TR) – Index 35h (Bank 1) .....	94
9.77	Reserved Register – Index 36h ~ 37h (Bank 1) .....	94
9.78	SYSFANOUT Critical Temperature Tolerance Register – Index 38h (Bank 1) .....	94
9.79	Weight value Configuration Register – Index 39h (Bank 1) .....	95
9.80	SYSFANOUT Temperature Step Register – Index 3Ah (Bank 1) .....	95
9.81	SYSFANOUT Temperature Step Tolerance Register – Index 3Bh (Bank 1) .....	96
9.82	SYSFANOUT Weight Step Register – Index 3Ch (Bank 1) .....	96
9.83	SYSFANOUT Temperature Base Register – Index 3Dh (Bank 1) .....	96
9.84	SYSFANOUT Temperature Fan Duty Base Register – Index 3Eh (Bank 1) .....	96
9.85	Reserved Register – Index 3Fh (Bank 1) .....	97
9.86	Reserved Register – Index 40h (Bank 1) .....	97
9.87	Reserved Register – Index 41h (Bank 1) .....	97
9.88	Reserved Register – Index 42h ~ 44h (Bank 1) .....	97
9.89	SYSFAN Maximum RPM (Low Byte) Register – Index 45h (Bank 1) .....	97
9.90	SYSFAN Maximum RPM (High Byte) Register – Index 46h (Bank 1) .....	97
9.91	Reserved Register – Index 49h ~ 4Fh (Bank1) .....	97
9.92	SMIOVT2 Temperature Source (High Byte) Register – Index 50h (Bank 1) .....	97

9.93	SMIOVT2 Temperature Source (Low Byte) Register – Index 51h (Bank 1).....	98
9.94	SMIOVT2 Temperature Source Configuration Register – Index 52h (Bank 1) .....	98
9.95	SMIOVT2 Temperature Source Hysteresis (High Byte) Register – Index 53h (Bank 1) 98	
9.96	SMIOVT2 Temperature Source Hysteresis (Low Byte) Register – Index 54h (Bank 1).....	99
9.97 (Bank1)	SMIOVT2 Temperature Source Over-temperature (High Byte) Register – Index 55h 99	
9.98 (Bank 1)	SMIOVT2 Temperature Source Over-temperature (Low Byte) Register – Index 56h 99	
9.99	Reserved Register – Index 57h ~ 7Fh (Bank 1).....	100
9.100	CPUFAN Monitor Temperature Source Select Register/ STOPDUTY Enable Register – Index 00h (Bank 2).....	100
9.101	CPUFAN Target Temperature Register / CPUFANIN Target Speed_L Register – Index 01h (Bank 2).....	101
9.102	CPUFAN MODE Register / CPUFAN TOLLERRANCE Register – Index 02h (Bank 2) 101	
9.103	CPUFANOUT Step Up Time Register – Index 03h (Bank 2) .....	101
9.104	CPUFANOUT Step Down Time Register – Index 04h (Bank 2).....	102
9.105	CPUFANOUT Stop Value Register – Index 05h (Bank 2).....	102
9.106	CPUFANOUT Start-up Value Register – Index 06h (Bank 2) .....	102
9.107	CPUFANOUT Stop Time Register – Index 07h (Bank 2).....	103
9.108	Reserved Register – Index 08h (Bank 2) .....	103
9.109	CPUFANOUT Output Value Select Register – Index 09h (Bank 2) .....	103
9.110	CPUFANIN Tolerance_H / Target Speed_H Register – Index 0Ch (Bank 2).....	103
9.111	Reserved Register – Index 0Dh (Bank 2).....	104
9.112	SMART FAN IV CPUFANOUT STEP Register – Index 20h (Bank 2).....	104
9.113	CPUFAN (SMART FAN™ IV) Temperature 1 Register(T1) – Index 21h (Bank 2).....	104
9.114	CPUFAN (SMART FAN™ IV) Temperature 2 Register(T2) – Index 22h (Bank 2).....	104
9.115	CPUFAN (SMART FAN™ IV) Temperature 3 Register(T3) – Index 23h (Bank 2).....	105
9.116	CPUFAN (SMART FAN™ IV) Temperature 4 Register(T4) – Index 24h (Bank 2).....	105
9.117	CPUFAN (SMART FAN™ IV) DC or DUTY_SMF4 PWM1 Register – Index 27h (Bank 2) 105	
9.118	CPUFAN (SMART FAN™ IV) DC or DUTY_SMF4 PWM2 Register – Index 28h (Bank 2) 105	
9.119	CPUFAN (SMART FAN™ IV) DC or DUTY_SMF4 PWM3 Register – Index 29h (Bank 2) 106	
9.120	CPUFAN (SMART FAN™ IV) DC or DUTY_SMF4 PWM4 Register – Index 2Ah (Bank 2) 106	
9.121	Reserved Register – Index 2Dh~ 30h (Bank 2).....	106
9.122	CPUFAN 3-Wire FAN Enable Register – Index 31h (Bank 2).....	106
9.123	Reserved Register – Index 32h ~ 34h(Bank 2) .....	106
9.124	CPUFAN (SMART FAN™ IV) Temperature Critical Register(TR) – Index 35h (Bank 2) 107	
9.125	Reserved Register – Index 36h ~ 37h (Bank 2) .....	107
9.126	CPUFANOUT Critical Temperature Tolerance Register – Index 38h (Bank 2).....	107
9.127	Weight value Configuration Register – Index 39h (Bank 2) .....	107
9.128	CPUFANOUT Temperature Step Register – Index 3Ah (Bank 2).....	108
9.129	CPUFANOUT Temperature Step Tolerance Register – Index 3Bh (Bank 2).....	108
9.130	CPUFANOUT Weight Step Register – Index 3Ch (Bank 2) .....	109

9.131	CPUFANOUT Temperature Base Register – Index 3Dh (Bank 2).....	109
9.132	CPUFANOUT Temperature Fan Duty Base Register – Index 3Eh (Bank 2) .....	109
9.133	Reserved Register – Index 3Fh (Bank 2) .....	109
9.134	Reserved Register – Index 40h (Bank 2) .....	109
9.135	Reserved Register – Index 41h (Bank 2) .....	109
9.136	Reserved Register – Index 42h ~ 44h (Bank 2) .....	109
9.137	CPUFAN Maximum RPM (Low Byte) Register – Index 45h (Bank 2).....	110
9.138	CPUFAN Maximum RPM (High Byte) Register – Index 46h (Bank 2) .....	110
9.139	Reserved Register – Index 49h ~ 4Fh (Bank2) .....	110
9.140	SMIOVT3 Temperature Source (High Byte) Register – Index 50h (Bank 2).....	110
9.141	SMIOVT3 Temperature Source (Low Byte) Register – Index 51h (Bank 2).....	110
9.142	SMIOVT3 Temperature Source Configuration Register – Index 52h (Bank 2) .....	111
9.143	SMIOVT3 Temperature Source Hysteresis (High Byte) Register – Index 53h (Bank 2) 111	
9.144	SMIOVT3 Temperature Source Hysteresis (Low Byte) Register – Index 54h (Bank 2) 111	
9.145	SMIOVT3 Temperature Source Over-temperature (High Byte) Register – Index 55h (Bank 2)	112
9.146	SMIOVT3 Temperature Source Over-temperature (Low Byte) Register – Index 56h (Bank 2)	112
9.147	Reserved Register – Index 57h ~ 7Fh (Bank 2) .....	112
9.148	Reserved Register – Index 00h (Bank 3) .....	112
9.149	Reserved Register – Index 01h (Bank 3) .....	112
9.150	Reserved Register – Index 02h (Bank 3) .....	112
9.151	Reserved Register – Index 03h (Bank 3) .....	112
9.152	Reserved Register – Index 04h (Bank 3) .....	112
9.153	Reserved Register – Index 05h (Bank 3) .....	112
9.154	Reserved Register – Index 06h (Bank 3) .....	113
9.155	Reserved Register – Index 07h (Bank 3) .....	113
9.156	Reserved Register – Index 08h (Bank 3) .....	113
9.157	Reserved Register – Index 09h (Bank 3) .....	113
9.158	Reserved Register – Index 0Ch (Bank 3).....	113
9.159	Reserved Register – Index 0Dh (Bank 3).....	113
9.160	Reserved Register – Index 20h (Bank 3) .....	113
9.161	Reserved Register – Index 21h (Bank 3) .....	113
9.162	Reserved Register – Index 22h (Bank 3) .....	113
9.163	Reserved Register – Index 23h (Bank 3) .....	113
9.164	Reserved Register – Index 24h (Bank 3) .....	113
9.165	Reserved Register – Index 27h (Bank 3) .....	113
9.166	Reserved Register – Index 28h (Bank 3) .....	113
9.167	Reserved Register – Index 29h (Bank 3) .....	113
9.168	Reserved Register – Index 2Ah (Bank 3).....	113
9.169	Reserved Register – Index Index 2Dh~ 30h (Bank 3).....	113
9.170	Reserved Register – Index 31h (Bank 3) .....	113
9.171	Reserved Register – Index 32h ~ 34h(Bank 3) .....	113
9.172	Reserved Register – Index 35h (Bank 3) .....	113
9.173	Reserved Register – Index 36h ~ 37h (Bank 3) .....	113

9.174	Reserved Register – Index 38h (Bank 3) .....	113
9.175	Reserved Register – Index 39h (Bank 3) .....	114
9.176	Reserved Register – Index 3Ah (Bank 3) .....	114
9.177	Reserved Register – Index 3Bh (Bank 3) .....	114
9.178	Reserved Register – Index 3Ch (Bank 3) .....	114
9.179	Reserved Register – Index 3Dh (Bank 3) .....	114
9.180	Reserved Register – Index 3Eh (Bank 3) .....	114
9.181	Reserved Register – Index 3Fh (Bank 3) .....	114
9.182	Reserved Register – Index 40h (Bank 3) .....	114
9.183	Reserved Register – Index 41h (Bank 3) .....	114
9.184	Reserved Register – Index 42h ~ 44h (Bank 3) .....	114
9.185	Reserved Register – Index 45h (Bank 3) .....	114
9.186	Reserved Register – Index 46h (Bank 3) .....	114
9.187	Reserved Register – Index 49h ~ 7Fh (Bank3) .....	114
9.188	PCH_CHIP_CPU_MAX_TEMP Register – Index 00h (Bank 4) .....	114
9.189	PCH_CHIP_TEMP Register – Index 01h (Bank 4) .....	114
9.190	PCH_CPU_TEMP_H Register – Index 02h (Bank 4) .....	115
9.191	PCH_CPU_TEMP_L Register – Index 03h (Bank 4) .....	115
9.192	PCH_MCH_TEMP Register – Index 04h (Bank 4) .....	115
9.193	PCH_DIM0_TEMP Register – Index 05h (Bank 4) .....	116
9.194	PCH_DIM1_TEMP Register – Index 06h (Bank 4) .....	116
9.195	PCH_DIM2_TEMP Register – Index 07h (Bank 4) .....	116
9.196	PCH_DIM3_TEMP Register – Index 08h (Bank 4) .....	116
9.197	PCH_TSI0_TEMP_H Register – Index 09h (Bank 4) .....	117
9.198	PCH_TSI0_TEMP_L Register – Index 0Ah (Bank 4) .....	117
9.199	PCH_TSI1_TEMP_H Register – Index 0Bh (Bank 4) .....	117
9.200	PCH_TSI1_TEMP_L Register – Index 0Ch (Bank 4) .....	117
9.201	PCH_TSI2_TEMP_H Register – Index 0Dh (Bank 4) .....	118
9.202	PCH_TSI2_TEMP_L Register – Index 0Eh (Bank 4) .....	118
9.203	PCH_TSI3_TEMP_H Register – Index 0Fh (Bank 4) .....	118
9.204	PCH_TSI3_TEMP_L Register – Index 10h (Bank 4) .....	118
9.205	PCH_TSI4_TEMP_H Register – Index 11h (Bank 4) .....	119
9.206	PCH_TSI4_TEMP_L Register – Index 12h (Bank 4) .....	119
9.207	PCH_TSI5_TEMP_H Register – Index 13h (Bank 4) .....	119
9.208	PCH_TSI5_TEMP_L Register – Index 14h (Bank 4) .....	120
9.209	PCH_TSI6_TEMP_H Register – Index 15h (Bank 4) .....	120
9.210	PCH_TSI6_TEMP_L Register – Index 16h (Bank 4) .....	120
9.211	PCH_TSI7_TEMP_H Register – Index 17h (Bank 4) .....	120
9.212	PCH_TSI7_TEMP_L Register – Index 18h (Bank 4) .....	121
9.213	ByteTemp_H Register – Index 19h (Bank 4) .....	121
9.214	ByteTemp_L Register – Index 1Ah (Bank 4) .....	121
9.215	Reserved Register – Index 1Bh ~ 22h (Bank 4) .....	121
9.216	VIN0 High Limit Compared Voltage Register – Index 23h (Bank 4) .....	122
9.217	VIN0 Low Limit Compared Voltage Register – Index 24h (Bank 4) .....	122
9.218	VIN1 High Limit Compared Voltage Register – Index 25h (Bank 4) .....	122
9.219	VIN1 Low Limit Compared Voltage Register – Index 26h (Bank 4) .....	122
9.220	AVCC High Limit Compared Voltage Register – Index 27h (Bank 4) .....	123



9.221	AVCC Low Limit Compared Voltage Register – Index 28h (Bank 4) .....	123
9.222	Reserved Register – Index 2Ah ~ 3Fh (Bank 4).....	123
9.223	SMI_TEMP4-6 SMI# Mask Register - Index 40h (Bank 4).....	123
9.224	SMI_TEMP4-6 Interrupt Status Register - Index 41h (Bank 4) .....	124
9.225	Voltage Comparison Interrupt Status Register - Index 42h (Bank 4).....	124
9.226	Interrupt Status Register 3 – Index 50h (Bank 4) .....	125
9.227	SMI# Mask Register 4 – Index 51h (Bank 4).....	125
9.228	Reserved Register – Index 52h ~ 53h (Bank 4) .....	125
9.229	Reserved Register – Index 54h (Bank 4) .....	125
9.230	CPUTIN Temperature Sensor Offset Register – Index 55h (Bank 4).....	125
9.231	AUXTIN Temperature Sensor Offset Register – Index 56h (Bank 4).....	126
9.232	Reserved Register – Index 57h-58h (Bank 4) .....	126
9.233	Real Time Hardware Status Register I – Index 59h (Bank 4) .....	126
9.234	Real Time Hardware Status Register II – Index 5Ah (Bank 4) .....	127
9.235	Real Time Hardware Status Register III – Index 5Bh (Bank 4).....	127
9.236	Reserved Register – Index 5Ch ~ 5Fh (Bank 4) .....	128
9.237	Is<8:1> Current Register – Index 60h (Bank 4).....	128
9.238	Is<0> Current Register – Index 61h (Bank 4).....	128
9.239	POWER <9:2> Register – Index 62h (Bank 4) .....	128
9.240	POWER<1:0> Register – Index 63h (Bank 4).....	129
9.241	VIN Register – Index 64h (Bank 4).....	129
9.242	Rreg Setting Register – Index 65h (Bank 4).....	129
9.243	Reg_Ratio_K and POWER_Voltage Enable Register – Index 66h (Bank 4) .....	129
9.244	POWER_V Register – Index 67h (Bank 4).....	130
9.245	Reserved Register – Index 68h ~ 7Fh (Bank 4) .....	130
9.246	Reserved Register – Index 00h ~ 4Fh (Bank 5).....	130
9.247	Value RAM 2 — Index 50h-5Fh (Bank 5).....	130
9.248	Reserved Register – Index 60h ~ 7Fh (Bank 5).....	130
9.249	Close-Loop Fan Control RPM mode Register – Index 00 (Bank 6) .....	131
9.250	Close-Loop Fan Control RPM Mode Tolerance Register – Index 01 (Bank 6) .....	131
9.251	SMIOVT1 Temperature Source Select Register – Index 21 (Bank 6).....	131
9.252	SMIOVT2 Temperature Source Select Register – Index 22 (Bank 6).....	132
9.253	SMIOVT3 Temperature Source Select Register – Index 23 (Bank 6).....	133
9.254	SMIOVT4 Temperature Source Select Register – Index 24 (Bank 6).....	133
9.255	SMIOVT5 Temperature Source Select Register – Index 25 (Bank 6).....	134
9.256	SMIOVT6 Temperature Source Select Register – Index 26 (Bank 6).....	135
9.257	Reserved Register – Index 27h (Bank 6) .....	136
9.258	SMIOVT4 Temperature Source Configuration Register – Index 28h (Bank 6) .....	136
9.259	SMIOVT5 Temperature Source Configuration Register – Index 29h (Bank 6) .....	136
9.260	SMIOVT6 Temperature Source Configuration Register – Index 2Ah (Bank 6).....	137
9.261	SMIOVT4 Temperature Source (High Byte) Register – Index 2Bh (Bank 6) .....	137
9.262	SMIOVT5 Temperature Source (High Byte) Register – Index 2Ch (Bank 6) .....	137
9.263	SMIOVT6 Temperature Source (High Byte) Register – Index 2Dh (Bank 6) .....	138
9.264	SMIOVT4/SMIOVT5/SMIOVT6 Temperature Source (Low Byte) Register – Index 2Eh (Bank 6)	138
9.265	Reserved Register – Index 2Fh (Bank 6).....	138
9.266	(SYSFANIN) FANIN1 COUNT High-byte Register – Index 30h (Bank 6).....	138

9.267	(SYSFANIN) FANIN1 COUNT Low-byte Register – Index 31h (Bank 6).....	139
9.268	(CPUFANIN) FANIN2 COUNT High-byte Register – Index 32h (Bank 6).....	139
9.269	(CPUFANIN) FANIN2 COUNT Low-byte Register – Index 33h (Bank 6).....	139
9.270	Reserved Register – Index 34h (Bank 6) .....	139
9.271	Reserved Register – Index 35h (Bank 6) .....	139
9.272	Reserved Register – Index 36h (Bank 6) .....	139
9.273	Reserved Register – Index 37h (Bank 6) .....	139
9.274	Reserved Register – Index 38h (Bank 6) .....	140
9.275	Reserved Register – Index 39h (Bank 6) .....	140
9.276	(SYSFANIN) Fan Count Limit High-byte Register – Index 3Ah (Bank 6).....	140
9.277	(SYSFANIN) Fan Count Limit Low-byte Register – Index 3Bh (Bank 6).....	140
9.278	(CPUFANIN) Fan Count Limit High-byte Register – Index 3Ch (Bank 6) .....	140
9.279	(CPUFANIN) Fan Count Limit Low-byte Register – Index 3Dh (Bank 6) .....	140
9.280	Reserved Register – Index 3Eh (Bank 6) .....	141
9.281	Reserved Register – Index 3Fh (Bank 6) .....	141
9.282	Reserved Register – Index 40h (Bank 6) .....	141
9.283	Reserved Register – Index 41h (Bank 6) .....	141
9.284	Reserved Register – Index 42h (Bank 6) .....	141
9.285	Reserved Register – Index 43h (Bank 6) .....	141
9.286	SYSFANIN Revolution Pulses Selection Register – Index 44h (Bank 6).....	141
9.287	CPUFANIN Revolution Pulses Selection Register – Index 45h (Bank 6).....	141
9.288	Reserved Register – Index 46h (Bank 6) .....	142
9.289	SMIOVT1 SMI# Shut-down mode High Limit Temperature Register – Index 50h (Bank 6)	142
9.290	SMIOVT1 SMI# Shut-down mode Low Limit Temperature Register – Index 51h (Bank 6)	142
9.291	SMIOVT2 SMI# Shut-down mode High Limit Temperature Register – Index 52h (Bank 6)	142
9.292	SMIOVT2 SMI# Shut-down mode Low Limit Temperature Register – Index 53h (Bank 6)	143
9.293	SMIOVT3 SMI# Shut-down mode High Limit Temperature Register – Index 54h (Bank 6)	143
9.294	SMIOVT3 SMI# Shut-down mode Low Limit Temperature Register – Index 55h (Bank 6)	143
9.295	SYSFANIN SPEED HIGH-BYTE VALUE (RPM) - Index 56h (Bank 6).....	143
9.296	SYSFANIN SPEED LOW-BYTE VALUE (RPM) - Index 57h (Bank 6).....	144
9.297	CPUFANIN SPEED HIGH-BYTE VALUE (RPM) – Index 58h (Bank 6).....	144
9.298	CPUFANIN SPEED LOW-BYTE VALUE (RPM) – Index 59h (Bank 6) .....	144
9.299	Reserved Register – Index 5Ah (Bank 6) .....	144
9.300	Reserved Register – Index 5Bh (Bank 6) .....	144
9.301	Reserved Register – Index 5Ch (Bank 6).....	145
9.302	Reserved Register – Index 5Dh (Bank 6).....	145
9.303	Reserved Register – Index 5Eh (Bank 6).....	145
9.304	Reserved Register – Index 5Fh (Bank 6) .....	145
9.305	SMIOVT4 SMI# Shut-down mode High Limit Temperature Register – Index 70h (Bank 6)	145
9.306	SMIOVT4 SMI# Shut-down mode Low Limit Temperature Register – Index 71h (Bank 6)	145

9.307	SMIOVT4 Temperature Source Over-temperature (High Byte) Register – Index 72h (Bank 6)	145
9.308	SMIOVT4 Temperature Source Hysteresis (High Byte) Register – Index 73h (Bank 6)	146
9.309	SMIOVT4 Over-temperature and Hysteresis LSB Temperature and DIS_OVT and EN_WS Register – Index 74h (Bank 6).....	146
9.310	SMIOVT5 SMI# Shut-down mode High Limit Temperature Register – Index 75h (Bank 6)	146
9.311	SMIOVT5 SMI# Shut-down mode Low Limit Temperature Register – Index 76h (Bank 6)	147
9.312	SMIOVT5 Temperature Source Over-temperature (High Byte) Register – Index 77h (Bank 6)	147
9.313	SMIOVT5 Temperature Source Hysteresis (High Byte) Register – Index 78h (Bank 6)	147
9.314	SMIOVT5 Over-temperature and Hysteresis LSB Temperature and DIS_OVT and EN_WS Register – Index 79h (Bank 6).....	147
9.315	SMIOVT6 SMI# Shut-down mode High Limit Temperature Register – Index 7Ah (Bank 6)	148
9.316	SMIOVT6 SMI# Shut-down mode Low Limit Temperature Register – Index 7Bh (Bank 6)	148
9.317	SMIOVT6 Temperature Source Over-temperature (High Byte) Register – Index 7Ch (Bank 6)	148
9.318	SMIOVT6 Temperature Source Hysteresis (High Byte) Register – Index 7Dh (Bank 6)	149
9.319	SMIOVT6 Over-temperature and Hysteresis LSB Temperature and DIS_OVT and EN_WS Register – Index 7Eh (Bank 6).....	149
9.320	Reserved Register – Index 7Fh (Bank 6).....	149
9.321	PECI Function Control Registers – Index 01 ~ 04h (Bank 7).....	150
9.322	PECI Enable Function Register – Index 01h (Bank 7).....	150
9.323	PECI Timing Config Register – Index 02h (Bank 7).....	150
9.324	PECI Agent Config Register – Index 03h (Bank 7).....	151
9.325	PECI Temperature Config Register – Index 04h (Bank 7).....	151
9.326	PECI Command Write Data Registers – Index 05 ~ 1Eh (Bank 7).....	152
9.327	PECI Command Address Register – Index 05h (Bank 7).....	152
9.328	PECI Command Write Length Register – Index 06h (Bank 7).....	152
9.329	PECI Command Read Length Register – Index 07h (Bank 7).....	152
9.330	PECI Command Code Register – Index 08h (Bank 7).....	153
9.331	PECI Command Tbase0 Register – Index 09h (Bank 7).....	153
9.332	PECI Command Tbase1 Register – Index 0Ah (Bank 7).....	153
9.333	PECI Command Write Data 1 Register – Index 0Bh (Bank 7).....	153
9.334	PECI Command Write Data 2 Register – Index 0Ch (Bank 7).....	154
9.335	PECI Command Write Data 3 Register – Index 0Dh (Bank 7).....	154
9.336	PECI Command Write Data 4 Register – Index 0Eh (Bank 7).....	154
9.337	PECI Command Write Data 5 Register – Index 0Fh (Bank 7).....	154
9.338	PECI Command Write Data 6 Register – Index 10h (Bank 7).....	155
9.339	PECI Command Write Data 7 Register – Index 11h (Bank 7).....	155
9.340	PECI Command Write Data 8 Register – Index 12h (Bank 7).....	155
9.341	PECI Command Write Data 9 Register – Index 13h (Bank 7).....	156
9.342	PECI Command Write Data 10 Register – Index 14h (Bank 7).....	156

9.343	PECI Command Write Data 11 Register – Index 15h (Bank 7).....	156
9.344	PECI Command Write Data 12 Register – Index 16h (Bank 7).....	156
9.345	PECI Agent Relative Temperature Register – Index 17h-1Eh (Bank 7).....	157
9.346	PECI Command Read Data Registers – Index 1F ~ 32h (Bank 7) .....	158
9.347	PECI Alive Agent Register – Index 1Fh (Bank 7) .....	158
9.348	PECI Temperature Reading Register (Integer) – Index 20h (Bank 7).....	159
9.349	PECI Temperature Reading Register (Fraction) – Index 21h (Bank 7).....	159
9.350	PECI Command TN Count Value Register – Index 22h (Bank 7) .....	159
9.351	PECI Command TN Count Value Register – Index 23h (Bank 7) .....	160
9.352	PECI Command Warning Flag Register – Index 24h (Bank 7) .....	160
9.353	PECI Command FCS Data Register – Index 25h (Bank 7).....	160
9.354	PECI Command WFCS Data Register – Index 26h (Bank 7) .....	161
9.355	PECI RFCS Data Register – Index 27h (Bank 7).....	161
9.356	PECI AWFCS Data Register – Index 28h (Bank 7).....	161
9.357	PECI CRC OUT WFCS Data Register – Index 29h (Bank 7).....	161
9.358	PECI Command Read Data 1 Register – Index 2Ah (Bank 7) .....	162
9.359	PECI Command Read Data 2 Register – Index 2Bh (Bank 7) .....	162
9.360	PECI Command Read Data 3 Register – Index 2Ch (Bank 7).....	162
9.361	PECI Command Read Data 4 Register – Index 2Dh (Bank 7).....	163
9.362	PECI Command Read Data 5 Register – Index 2Eh (Bank 7) .....	163
9.363	PECI Command Read Data 6 Register – Index 2Fh (Bank 7) .....	163
9.364	PECI Command Read Data 7 Register – Index 30h (Bank 7) .....	163
9.365	PECI Command Read Data 8 Register – Index 31h (Bank 7) .....	164
9.366	PECI Command Read Data 9 Register – Index 32h (Bank 7) .....	164
10.	UART PORT .....	168
10.1	UART Control Register (UCR) (Read/Write) .....	168
10.2	UART Status Register (USR) (Read/Write).....	170
10.3	Handshake Control Register (HCR) (Read/Write).....	170
10.4	Handshake Status Register (HSR) (Read/Write) .....	171
10.5	UART FIFO Control Register (UFR) (Write only) .....	172
10.6	Interrupt Status Register (ISR) (Read only).....	172
10.7	Interrupt Control Register (ICR) (Read/Write) .....	173
10.8	Programmable Baud Generator (BLL/BHL) (Read/Write) .....	174
10.9	User-defined Register (UDR) (Read/Write).....	174
10.10	UART RS485 Auto Flow Control .....	175
11.	KEYBOARD CONTROLLER.....	176
11.1	Output Buffer.....	176
11.2	Input Buffer .....	176
11.3	Status Register .....	177
11.4	Commands.....	178
11.5	Hardware GATEA20/Keyboard Reset Control Logic.....	180
11.5.1	KB Control Register (Logic Device 5, CR-F0).....	180
11.5.2	Port 92 Control Register (Default Value = 0x24).....	181
12.	CONSUMER INFRARED REMOTE (CIR).....	182
12.1	CIR Register Table .....	182
12.1.1	IR Configuration Register – Base Address + 0 .....	182
12.1.2	IR Status Register – Base Address + 1 .....	183

12.1.3	IR Interrupt Configuration Register – Base Address + 2.....	183
12.1.4	RX FIFO Count– Base Address + 5.....	184
12.1.5	IR TX Carrier Prescaler Configuration Register (CP) – Base Address + 4 .....	184
12.1.6	IR TX Carrier Period Configuration Register (CC) – Base Address + 5.....	185
12.1.7	IR RX Sample Limited Count High Byte Register (RCLCH) – Base Address + 6 .....	185
12.1.8	IR RX Sample Limited Count Low Byte Register (RCLCL) – Base Address + 7 .....	185
12.1.9	IR FIFO Configuration Register (FIFOCON) – Base Address + 8 .....	185
12.1.10	IR Sample RX FIFO Status Register – Base Address + 9 .....	186
12.1.11	IR Sample RX FIFO Register – Base Address + A.....	187
12.1.12	TX FIFO Count– Base Address + 5 .....	187
12.1.13	IR Sample TX FIFO Register – Base Address + C .....	187
12.1.14	IR Carrier Count High Byte Register – Base Address + D .....	188
12.1.15	IR Carrier Count Low Byte Register – Base Address + E .....	188
12.1.16	IR FSM Status Register (IRFSM) – Base Address + F .....	188
12.1.17	IR Minimum Length Register – Base Address + F .....	189
13.	CONSUMER INFRARED REMOTE (CIR) WAKE-UP.....	190
13.1	CIR WAKE-UP Register Table .....	190
13.1.1	IR Configuration Register – Base Address + 0 .....	190
13.1.2	IR Status Register – Base Address + 1 .....	191
13.1.3	IR Interrupt Configuration Register – Base Address + 2.....	191
13.1.4	IR TX Configuration Register – Base Address + 3.....	192
13.1.5	IR FIFO Compare Tolerance Configuration Register – Base Address + 4 .....	192
13.1.6	RX FIFO Count– Base Address + 5.....	192
13.1.7	IR RX Sample Limited Count High Byte Register (RCLCH) – Base Address + 6.....	193
13.1.8	IR RX Sample Limited Count Low Byte Register (RCLCL) – Base Address + 7 .....	193
13.1.9	IR FIFO Configuration Register (FIFOCON) – Base Address + 8 .....	193
13.1.10	IR Sample RX FIFO Status Register – Base Address + 9 .....	194
13.1.11	IR Sample RX FIFO Register – Base Address + A.....	194
13.1.12	Write FIFO – Base Address + B.....	194
13.1.13	Read FIFO Only – Base Address + C.....	195
13.1.14	Read FIFO Index – Base Address + D .....	195
13.1.15	Reserved – Base Address + E.....	195
13.1.16	IR FSM Status Register (IRFSM) – Base Address + F .....	195
13.1.17	IR Minimum Length Register – Base Address + F.....	195
14.	POWER MANAGEMENT EVENT.....	197
14.1	Power Control Logic .....	197
14.1.1	PSON# Logic.....	197
14.1.2	AC Power Failure Resume .....	198
14.2	Wake Up the System by Keyboard and Mouse.....	199
14.2.1	Waken up by Keyboard events.....	200
14.2.2	Waken up by Mouse events .....	200
14.3	Resume Reset Logic .....	201
15.	SERIALIZED IRQ.....	202
15.1	Start Frame .....	202
15.2	IRQ/Data Frame.....	203
15.3	Stop Frame .....	203
16.	WATCHDOG TIMER.....	205
17.	GENERAL PURPOSE I/O.....	206

17.1	GPIO ARCHITECTURE.....	206
17.2	ACCESS CHANNELS .....	207
18.	SMBUS MASTER INTERFACE.....	208
18.1	General Description .....	208
18.2	Introduction to the SMBus Master .....	208
18.2.1	Data Transfer Format .....	208
18.2.2	Arbitration .....	208
18.2.3	Clock Synchronization .....	209
18.3	SB-TSI .....	210
18.3.1	SB-TSI Address.....	210
18.4	PCH .....	210
18.4.1	Command Summary.....	210
18.5	SMBus Master .....	211
18.5.1	Block Diagram .....	211
18.5.2	Programming Flow .....	212
18.5.3	TSI Routine.....	213
18.5.4	PCH Routine.....	213
18.5.5	BYTE Routine.....	214
18.5.6	Manual Mode interface .....	214
18.6	Register Type Abbreviations.....	215
18.6.1	Enter the Extended Function Mode .....	215
18.6.2	Configure the Configuration Registers.....	216
18.7	SMBus Master Register Set .....	216
18.7.1	SMBus Register Map.....	216
18.7.2	SMBus Data (SMDATA) – Bank 0 .....	217
18.7.3	SMBus Write Data Size (SMWRSIZE) – Bank 0 .....	217
18.7.4	SMBus Command (SMCMD) – Bank 0.....	217
18.7.5	SMBus INDEX (SMIDX) – Bank 0 .....	218
18.7.6	SMBus Control (SMCTL) – Bank 0 .....	218
18.7.7	SMBus Address (SMADDR) – Bank 0.....	219
18.7.8	ACB Control 2 (ACBCTRL2) – Bank 0 .....	219
18.7.9	PCH Address (PCHADDR) – Bank 0.....	220
18.7.10	SMBus Error Status (Error_status) – Bank 0 .....	220
18.7.11	PCH Command (PCHCMD) – Bank 0.....	221
18.7.12	TSI Agent Enable Register (TSI_AGENT) – Bank .....	221
18.7.13	SMBus Control 3 Register (SMCTL3) – Bank 0 .....	222
18.7.14	SMBus Control 2 Register (SMCTL2) – Bank 0 .....	222
18.7.15	BYTE ADDRESS (BYTE_ADDR) – Bank 0 .....	223
18.7.16	BYTE INDEX_H (BYTE_IDX_H) – Bank 0.....	223
18.7.17	BYTE INDEX_L (BYTE_IDX_L) – Bank 0.....	224
19.	CONFIGURATION REGISTER.....	225
19.1	Chip (Global) Control Register.....	225
19.2	Logical Device 2 (UART A).....	237
19.3	Logical Device 3 (IR) .....	239
19.4	Logical Device 5 (Keyboard Controller).....	242
19.5	Logical Device 6 (CIR).....	244
19.6	Logical Device 7 (GPIO7, GPIO8, GPIO9).....	247
19.7	Logical Device 8 (WDT1 GPIOA) .....	253

19.8	Logical Device 9 (GPIO2, GPIO3, GPIO4, GPIO5, GPIO7).....	256
19.9	Logical Device A (ACPI) .....	264
19.10	Logical Device B (Hardware Monitor, Front Panel LED) .....	274
19.11	Logical Device E (CIR WAKE-UP).....	280
19.12	Logical Device F ((GPIO Push-pull or Open-drain selection).....	281
19.13	Logical Device 16 (Deep Sleep) .....	284
19.14	Logical Device 17 (GPIOA).....	286
20.	SPECIFICATIONS .....	288
20.1	Absolute Maximum Ratings .....	288
20.2	DC CHARACTERISTICS .....	288
21.	AC CHARACTERISTICS .....	291
21.1	Power On / Off Timing .....	291
21.2	AC Power Failure Resume Timing .....	292
21.3	Clock Input Timing .....	295
21.4	PECI Timing.....	296
21.5	SMBus Timing.....	296
21.6	UART .....	297
21.7	Modem Control Timing .....	298
21.8	KBC Timing Parameters .....	299
21.8.1	Writing Cycle Timing.....	299
21.8.2	Read Cycle Timing .....	301
21.8.3	Send Data to K/B.....	301
21.8.4	Receive Data from K/B .....	301
21.8.5	Input Clock.....	302
21.8.6	Send Data to Mouse .....	302
21.8.7	Receive Data from Mouse .....	302
21.9	GPIO Timing Parameters .....	303
21.9.1	GPIO Write Timing .....	303
22.	TOP MARKING SPECIFICATIONS.....	304
23.	ORDERING INFORMATION.....	305
24.	PACKAGE SPECIFICATION .....	306
25.	REVISION HISTORY .....	308

**LIST OF FIGURE**

Figure 3-1 NCT5577D Block Diagram ..... 5

Figure 4-1 NCT5577D Pin Layout..... 6

Figure 6-1 RSMRST#..... 18

Figure 6-2 PWROK ..... 19

Figure 6-3 RSTOUT# and LRESET# ..... 19

Figure 6-4 BKFD\_CUT and LATCH\_BKFD\_CUT ..... 20

Figure 6-5 PSON#..... 21

Figure 6-6 PWROK Block Diagram..... 22

Figure 6-7 Illustration of Dual Color LED application ..... 23

Figure 6-8 Illustration of LED polarity ..... 26

Figure 6-9 ASSC Application Diagram..... 28

Figure 7-1 Structure of the Configuration Register ..... 35

Figure 7-2 Configuration Register ..... 37

Figure 8-1 LPC Bus' Reads from / Write to Internal Registers ..... 40

Figure 8-2 Serial Bus Write to Internal Address Register Followed by the Data Byte ..... 41

Figure 8-3 Serial Bus Read from Internal Address Register..... 41

Figure 8-4 Analog Inputs and Application Circuit of the NCT5577D..... 42

Figure 8-5 Monitoring Temperature from Thermistor ..... 44

Figure 8-6 Monitoring Temperature from Thermal Diode (Voltage Mode)..... 45

Figure 8-7 Monitoring Temperature from Thermal Diode (Current Mode)..... 45

Figure 8-8 PECl Temperature ..... 47

Figure 8-9 Temperature and Fan Speed Relation after Tbase Offsets ..... 48

Figure 8-10 Mechanism of Thermal Cruise™ Mode (PWM Duty Cycle) ..... 52

Figure 8-11 Mechanism of Thermal Cruise™ Mode (DC Output Voltage) ..... 52

Figure 8-12 Mechanism of Fan Speed Cruise™ Mode ..... 53

Figure 8-13 SMART FAN™ IV & Close Loop Fan Control Mechanism ..... 55

Figure 8-14 Fan Control Duty Mode Programming Flow ..... 56

Figure 8-15 Close-Loop Fan Control RPM mode Programming Flow ..... 57

Figure 8-16 SYS TEMP and Weight Value Relations ..... 59

Figure 8-17 Fan Control Weighting Duty Mode Programming Flow ..... 60

Figure 8-18 SMI Mode of Voltage and Fan Inputs ..... 61

Figure 8-19 Shut-down Interrupt Mode ..... 62

Figure 8-20 SMI Mode of SYSTIN I ..... 63

Figure 8-21 SMI Mode of SYSTIN II ..... 63

Figure 8-22 Shut-down Interrupt Mode ..... 64

Figure 8-23 SMI Mode of CPUTIN ..... 64

Figure 8-24 OVT# Modes of Temperature Inputs ..... 67

Figure 8-25 Power measurement architecture..... 68

Figure 11-1 Keyboard and Mouse Interface..... 176

Figure 14-1 Power Control Mechanism..... 197

Figure 14-2 Power Sequence from S5 to S0, then Back to S5..... 198

Figure 14-3 The previous state is “on” ..... 199

Figure 14-4 The previous state is “off” ..... 199



Figure 14-5 Mechanism of Resume Reset Logic..... 201

Figure 15-1 Start Frame Timing with Source Sampled A Low Pulse on IRQ1 ..... 202

Figure 15-2 Stop Frame Timing with Host Using 17 SERIRQ Sampling Period..... 204

Figure 18-1 Data Transfer Format ..... 208

Figure 18-2 SMBus Arbitration..... 209

Figure 18-3 Clock synchronization..... 209

Figure 18-4 SMBus Master Block Diagram..... 211

Figure 18-5 Programming Flow..... 212

Figure 18-6 TSI Routine..... 213

Figure 18-7 PCH Routine..... 213

Figure 18-8 PCH Routine..... 214

Figure 18-9 Manual Mode Programming Flow..... 215

**LIST OF TABLE**

Table 6-1 Pin Description ..... 18

Table 7-1 Devices of I/O Base Address ..... 36

Table 8-1 Temperature Data Format ..... 44

Table 8-2 Display Registers – at SMART FAN™ I Mode..... 53

Table 8-3 Relative Registers – at Thermal Cruise™ Mode..... 53

Table 8-4 Relative Registers – at Speed Cruise™ Mode ..... 54

Table 8-5 Relative Register-at SMART FAN™ IV Control Mode ..... 55

Table 8-6 Relative Register-at Weight Value Control ..... 59

Table 8-7 Relative Register of SMI functions..... 65

Table 8-8 Relative Register of OVT functions..... 66

Table 10-1 Register Summary for UART ..... 169

Table 11-1 Bit Map of Status Register ..... 177

Table 11-2 KBC Command Sets..... 178

Table 12-1 CIR Register Table ..... 182

Table 14-1 Bit Map of Logical Device A, CR[E4h], Bits[6:5] ..... 198

Table 14-2 Definitions of Mouse Wake-Up Events ..... 200

Table 14-3 Timing and Voltage Parameters of RSMRST# ..... 201

Table 15-1 SERIRQ Sampling Periods ..... 203

Table 17-1 Relative Control Registers of GPIO 41 that Support Wake-Up Function ..... 206

Table 17-2 GPIO Register Addresses..... 207

Table 18-1 SB-TSI Address Encoding ..... 210

Table 18-2 PCH Command Summary ..... 210

Table 18-3 SMBus Master Bank 0 Registers ..... 216

新唐科技 NUVOTON  
INTELLECTUAL PROPERTY

## 1. GENERAL DESCRIPTION

The NCT5577D is a member of Nuvoton's Super I/O product line. The NCT5577D monitors several critical parameters in PC hardware, including power supply voltages, fan speeds and temperatures. In terms of temperature monitoring, the NCT5577D adopts the Current Mode (dual current source) and thermistor sensor approach. The NCT5577D also supports the Smart Fan control system, including "SMART FAN™ I and SMART FAN™ IV, which makes the system more stable and user-friendly.

The NCT5577D provides one high-speed serial communication port (UART), which includes a 16-byte send/receive FIFO, a programmable baud rate generator, complete modem-control capability and a processor interrupt system. The UART supports legacy speeds up to 115.2K bps as well as even higher baud rates of 230K, 460K, or 921K bps to support higher speed modems.

The NCT5577D provides flexible I/O control functions through a set of general purpose I/O (GPIO) ports. These GPIO ports may serve as simple I/O ports or may be individually configured to provide alternative functions.

The NCT5577D supports the Intel® PECEI (Platform Environment Control Interface) and AMD® SB-TSI interface. It also supports AMD® CPU power on sequence and Intel® Deep Sleep Well glue logic to help customers to reduce the external circuits needed while using Deep Sleep Well function.

NCT5577D supports two-color LED control via GPIO outputs to indicate system power states. The NCT5577D supports Consumer IR function for remote control purpose. It also supports Advanced Power Saving function to further reduce the power consumption while the system is at S5 state.

The configuration registers inside the NCT5577D support mode selection, function enable and disable, and power-down selection. Furthermore, the configurable PnP features are compatible with the plug-and-play feature in Windows, making the allocation of the system resources more efficient than ever.

## 2. FEATURES

### General

- Meet LPC Spec. 1.1
- Support AMD power on sequence
- Support SERIRQ (Serialized IRQ)
- Integrated hardware monitor functions
- Support DPM (Device Power Management), ACPI (Advanced Configuration and Power Interface)
- Programmable configuration settings
- Single 24-MHz or 48-MHz clock input
- Support selective pins of 5 V tolerance

### UART

- One high-speed, 16550-compatible UART with 16-byte send / receive FIFO
- Support RS485

  - Supports auto flow control

- Fully programmable serial-interface characteristics:

  - 5, 6, 7 or 8-bit characters
  - Even, odd or no parity bit generation / detection
  - 1, 1.5 or 2 stop-bit generation

- Internal diagnostic capabilities:

  - Loop-back controls for communications link fault isolation
  - Break, parity, overrun, framing error simulation

- Programmable baud rate generator allows division of clock source by any value from 1 to  $(2^{16} - 1)$

- Maximum baud rate for clock source 14.769 MHz is up to 921K bps. The baud rate at 24 MHz is 1.5 M bps.

### Keyboard Controller

- 8042-based keyboard controller

- Asynchronous access to two data registers and one status register

- Software-compatible with 8042

- Support PS/2 mouse

- Support Port 92

- Support both interrupt and polling modes

- Fast Gate A20 and Hardware Keyboard Reset

- 12MHz operating frequency

### Hardware Monitor Functions

- Smart Fan control system

- Programmable threshold temperature to speed fan fully while current temperature exceeds this threshold in the Thermal Cruise™ mode

- Support Current Mode (dual current source) temperature sensing method

- Eight voltage inputs (CPUVCORE, VIN0, VIN1, VIN3, 3VCC, AVCC, 3VSB and VBAT)

- Two fan-speed monitoring inputs

Two fan-speed controls  
Dual mode for fan control (PWM and DC) for SYSFANOUT  
Programmable hysteresis and setting points for all monitored items  
Issue SMI# to activate system protection  
Nuvoton Health Manager support  
Provide I<sup>2</sup>C master / slave interface to read / write registers

### **CIR and IR (Infrared)**

- Support IrDA version 1.0 SIR protocol with maximum baud rate up to 115.2K bps
- Support SHARP ASK-IR protocol with maximum baud rate up to 57,600 bps
- Support Consumer IR, including CIRTX, CIRRX.

### **General Purpose I/O Ports**

Programmable general purpose I/O ports  
Two access channels, indirect (via 2E/2F or 4E/4F) and direct (Base Address) access.

### **ACPI Configuration**

Support Glue Logic functions  
Support general purpose Watch Dog Timer functions (via GPIO pins)

### **OnNow Functions**

Keyboard Wake-Up by programmable keys  
Mouse Wake-Up by programmable buttons  
OnNow Wake-Up from all of the ACPI sleeping states (S1-S5)

### **PECI Interface**

Support PECI 1.1, 2.0 and 3.0 specification  
Support 2 CPU addresses and 2 domains per CPU address

### **AMD SB-TSI Interface**

Support AMD<sup>®</sup> SB-TSI specification

### **SMBus Interface**

Support SMBus Slave interface to report Hardware Monitor device data  
Support SMBus Master interface to get thermal data from PCH  
Support SMBus Master interface to get thermal data from MXM module

### **Power Measurement**

Support Power Consumption measurement

Fading LED driver control for power status and diagnostic indications

### AMD® CPU Power on Sequence

Support AMD® CPU power on sequence

### Advanced Power Saving

Advanced Sleep State Control to save motherboard Stand-by power consumption

### Operation voltage

- 3.3 voltage

### Characteristic

- Operation Temperature: 0°C ~ 70°C
- Operation Voltage: 3.0V ~ 3.6V
- Voltage Detection Accuracy: +/-16mV
- Temperature Detection Accuracy: +/- 1°C
- Fan Speed Detection Accuracy: +/- 1 Fan Count
- Fan Speed DC Mode Output
  - Range: 0~2.048V
  - Resolution: 8mV / LSB
  - Accuracy: +/- 4mV

### Package

64-pin LQFP  
Green

3. BLOCK DIAGRAM

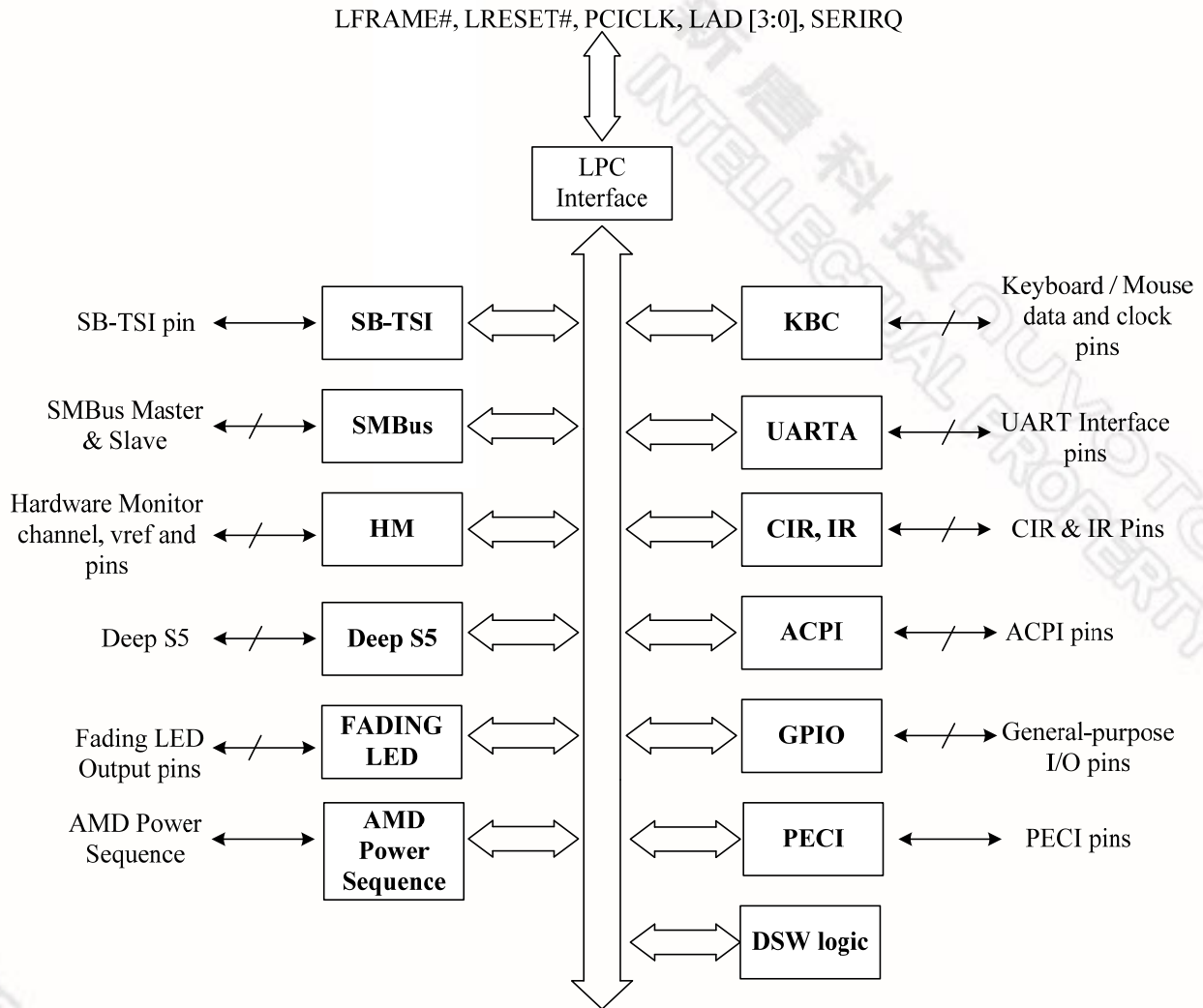


Figure 3-1 NCT5577D Block Diagram

4. PIN LAYOUT

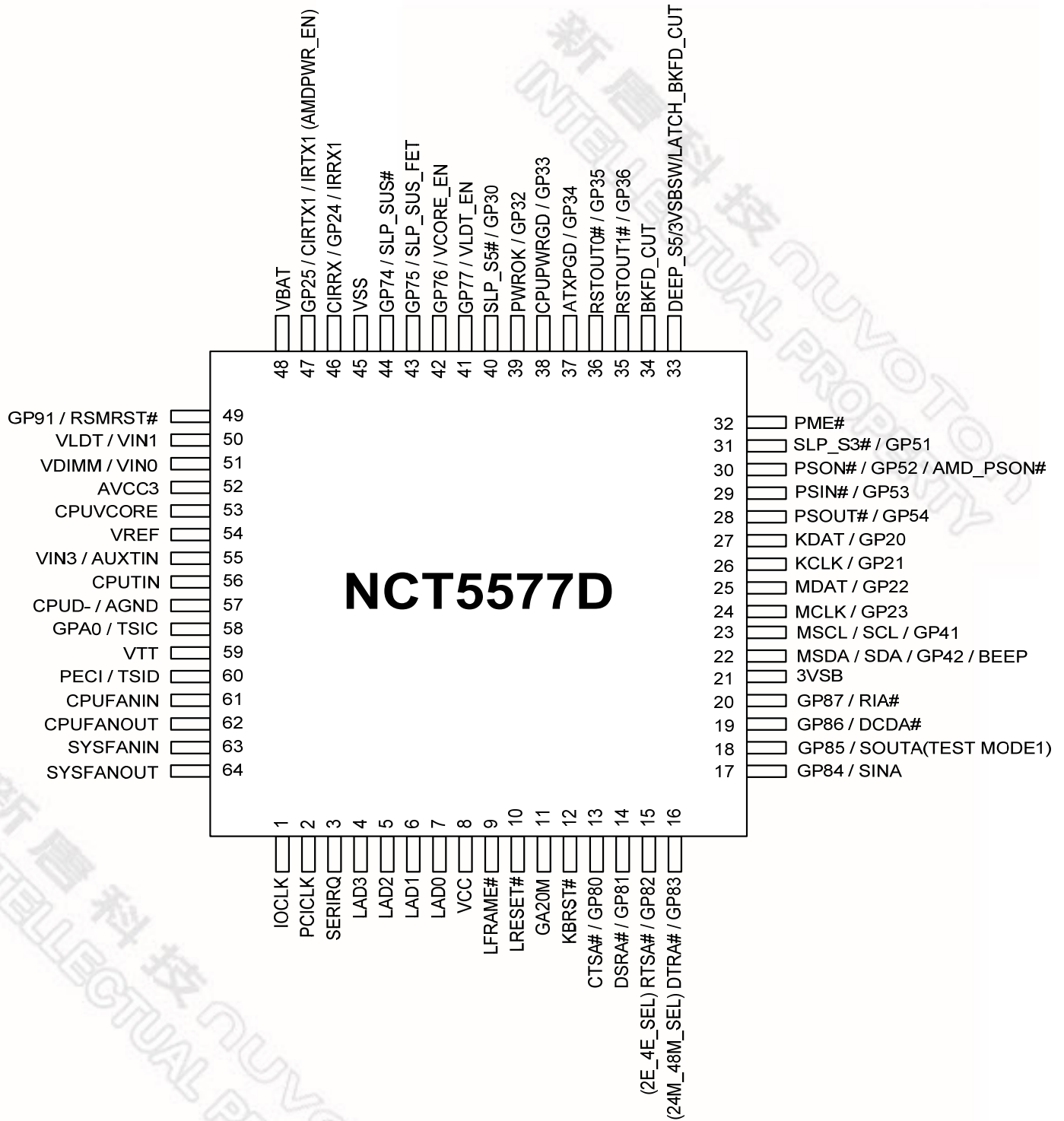


Figure 4-1 NCT5577D Pin Layout



## 5. PIN DESCRIPTION

**Note:** Please refer to 20.2 DC CHARACTERISTICS for details.

AOUT	- Analog output pin
AIN	- Analog input pin
IN <sub>tp3</sub>	- 3.3V TTL-level input pin
IN <sub>tsp3</sub>	- 3.3V TTL-level, Schmitt-trigger input pin
IN <sub>gp5</sub>	- 5V GTL-level input pin
IN <sub>tp5</sub>	- 5V TTL-level input pin
IN <sub>tscup5</sub>	- 5V TTL-level, Schmitt-trigger, input buffer with controllable pull-up
IN <sub>tsp5</sub>	- 5V TTL-level, Schmitt-trigger input pin
IN <sub>tdp5</sub>	- 5V TTL-level input pin with internal pull-down resistor
O <sub>8</sub>	- output pin with 8-mA source-sink capability
OD <sub>8</sub>	- open-drain output pin with 8-mA sink capability
O <sub>12</sub>	- output pin with 12-mA source-sink capability
OD <sub>12</sub>	- open-drain output pin with 12-mA sink capability
O <sub>24</sub>	- output pin with 24-mA source-sink capability
OD <sub>24</sub>	- open-drain output pin with 24-mA sink capability
O <sub>48</sub>	- output pin with 48-mA source-sink capability
OD <sub>48</sub>	- open-drain output pin with 48-mA sink capability
I/O <sub>v3</sub>	- Bi-direction pin with source capability of 6 mA and sink capability of 1 mA
I/O <sub>v4</sub>	- Bi-direction pin with source capability of 6 mA
O <sub>12cu</sub>	- output pin 12-mA source-sink capability with controllable pull-up
OD <sub>12cu</sub>	- open-drain 12-mA sink capability output pin with controllable pull-up

### 5.1 LPC Interface

PIN	SYMBOL	I/O	BUFFER TYPE	POWER WELL	DESCRIPTION
1	IOCLK	I	IN <sub>tp3</sub>	VCC	System clock input, either 24MHz or 48MHz. The actual frequency must be specified in the register. The default value is 48MHz.
32	PME#	O	OD <sub>12</sub>	VSB	Generated PME event.
2	PCICLK	I	IN <sub>tsp3</sub>	VCC	PCI-clock 33-MHz input.
3	SERIRQ	I/O	I/O <sub>12tp3</sub>	VCC	Serialized IRQ input / output.
4-7	LAD[3:0]	I/O	I/O <sub>12tp3</sub>	VCC	These signal lines communicate address, control, and data information over the LPC bus between a host and a peripheral.
9	LFRAME#	I	IN <sub>tsp3</sub>	VCC	Indicates the start of a new cycle or the termination of a broken cycle.
10	LRESET#	I	IN <sub>tsp3</sub>	VCC	Reset signal. It can be connected to the PCIRST# signal on the host.

### 5.2 Serial Port Interface

PIN	SYMBOL	I/O	BUFFER TYPE	POWER WELL	DESCRIPTION
20	RIA#	I	IN <sub>t</sub>	VCC	Ring Indicator. An active-low signal indicates that a ring signal is being received from the modem or the data set.
19	DCDA#	I	Int	VCC	Data Carrier Detection. An active-low signal indicates the modem or data set has detected a data carrier.
18	SOUTA	O	O <sub>8</sub>	VCC	UART A Serial Output. This pin is used to transmit serial data out to the communication link.
17	SINA	I	IN <sub>t</sub>	VCC	Serial Input. This pin is used to receive serial data through the communication link.
16	DTRA#	O	O <sub>8</sub>	VCC	UART A Data Terminal Ready. An active-low signal informs the modem or data set that the controller is ready to communicate.
15	RTSA#	O	O <sub>8</sub>	VCC	UART A Request To Send. An active-low signal informs the modem or data set that the controller is ready to send data.
14	DSRA#	I	IN <sub>t</sub>	VCC	Data Set Ready. An active-low signal indicates the modem or data set is ready to establish a communication link and transfer data to the UART.
13	CTSA#	I	IN <sub>t</sub>	VCC	Clear To Send. This is the modem-control input. The function of these pins can be tested by reading bit 4 of the handshake status register.

### 5.3 KBC Interface

PIN	SYMBOL	I/O	BUFFER TYPE	POWER WELL	DESCRIPTION
11	GA20M	O	O <sub>12</sub>	VCC	Gate A20 output. This pin is high after system reset. (KBC P21)
12	KBRST#	O	O <sub>12</sub>	VCC	Keyboard reset. This pin is high after system reset. (KBC P20)
26	KCLK	I/O	IN <sub>tsp5</sub> OD <sub>12</sub>	VSB	Keyboard Clock.
27	KDAT	I/O	IN <sub>tsp5</sub> OD <sub>12</sub>	VSB	Keyboard Data.
24	MCLK	I/O	IN <sub>tsp5</sub> OD <sub>12</sub>	VSB	PS2 Mouse Clock.
25	MDAT	I/O	IN <sub>tsp5</sub> OD <sub>12</sub>	VSB	PS2 Mouse Data.

#### 5.4 CIR Interface

PIN	SYMBOL	I/O	BUFFER TYPE	POWER WELL	DESCRIPTION
46	CIRRX	I	IN <sub>tsp5</sub>	VSB	CIR input for long length
47	CIRTX1	O	O <sub>12</sub>	VSB	CIR transmission output

#### 5.5 Hardware Monitor Interface

PIN	SYMBOL	I/O	BUFFER TYPE	POWER WELL	DESCRIPTION
50	VIN1	I	AIN	AVCC3	Analog input for voltage measurement (Range: 0 to 2.048 V)
51	VIN0	I	AIN	AVCC3	Analog input for voltage measurement (Range: 0 to 2.048 V)
53	CPUVCORE	I	AIN	AVCC3	Analog input for voltage measurement (Range: 0 to 2.048 V)
54	VREF	O	AOUT	AVCC3	Reference Voltage (around 2.048 V).
55	VIN3 / AUX TIN	I	AIN	AVCC3	Analog input for voltage measurement (Range: 0 to 2.048V)
56	CPUTIN	I	AIN	AVCC3	The input of temperature sensor 2. It is used for CPU temperature sensing.
61	CPUFANIN	I	IN <sub>tsp5</sub>	VCC	0 to +5 V amplitude fan tachometer input.
62	CPUFANOUT	O	O <sub>12</sub> OD <sub>12</sub>	VCC	PWM duty-cycle signal for fan speed control.
63	SYSFANIN	I	IN <sub>tsp5</sub>	VCC	0 to +5 V amplitude fan tachometer input.

PIN	SYMBOL	I/O	BUFFER TYPE	POWER WELL	DESCRIPTION
64	SYSFANOUT	O	AOUT O <sub>12</sub> OD <sub>12</sub>	VCC	PWM duty-cycle signal for fan speed control. DC voltage output for fan speed control.
22	BEEP	O	OD <sub>12</sub>	VSB	Beep function for hardware monitor.

### 5.6 Intel® PECI Interface

PIN	SYMBOL	I/O	BUFFER TYPE	POWER WELL	DESCRIPTION
60	PECI	I/O	I/O <sub>V3</sub>	Vtt	INTEL® CPU PECI interface. Connect to CPU.
59	VTT	I	Power	Vtt	INTEL® CPU Vtt Power.

### 5.7 Advanced Configuration & Power Interface

PIN	SYMBOL	I/O	BUFFER TYPE	POWER WELL	DESCRIPTION
29	PSIN#	I	IN <sub>tp5</sub>	VSB	Panel Switch Input. This pin is active-low with an internal pulled-up resistor.
28	PSOUT#	O	OD <sub>12</sub>	VSB	Panel Switch Output. This signal is used to wake-up the system from S3/S5 state.
49	RSMRST#	O	OD <sub>12</sub>	VRTC	Resume reset signal output.
31	SLP_S3#	I	IN <sub>tp5</sub>	VSB	SLP_S3# input.
40	SLP_S5#	I	IN <sub>tp5</sub>	VSB	SLP_S5# input.
37	ATXPGD	I	IN <sub>tp5</sub>	VSB	ATX power good signal.
30	PSON#	O	OD <sub>12</sub>	VSB	Power supply on-off output.
39	PWROK	O	OD <sub>12</sub>	VRTC	3VCC PWROK signal.
38	CPUPWRGD	O	OD <sub>12</sub>	VRTC	3VCC PWROK signal.
33	3VSBSW	O	OD <sub>24</sub>	VRTC	Switch 3VSB power to memory when in S3 state.
36	RSTOUT0#	O	OD <sub>24</sub>	VSB	PCI Reset Buffer 0. (from pin10)
35	RSTOUT1#	O	O <sub>24</sub> OD <sub>24</sub>	VSB	PCI Reset Buffer 1. (from pin10) This pin default is push-pull output and could be programmed to open-drain output by register Logic Device A CRF7 bit6.

### 5.8 Advanced Sleep State Control

PIN	SYMBOL	I/O	BUFFER TYPE	POWER WELL	DESCRIPTION
-----	--------	-----	-------------	------------	-------------

PIN	SYMBOL	I/O	BUFFER TYPE	POWER WELL	DESCRIPTION
33	DEEP_S5	O	OD <sub>24</sub>	VSB	This pin is to control system power for entering "more power saving mode".

### 5.9 SMBus Interface

PIN	SYMBOL	I/O	BUFFER TYPE	POWER WELL	DESCRIPTION
23	SCL	I/O	IN <sub>tsp5</sub> OD <sub>12</sub>	VSB	SMBus slave clock.
22	SDA	I/O	IN <sub>tsp5</sub> OD <sub>12</sub>	VSB	SMBus slave bi-directional Data.
23	MSCL	I/O	IN <sub>tsp5</sub> OD <sub>12</sub>	VSB	SMBus master clock.
22	MSDA	I/O	IN <sub>tsp5</sub> OD <sub>12</sub>	VSB	SMBus master bi-directional Data.

### 5.10 Power Pins

PIN	SYMBOL	I/O	BUFFER TYPE	POWER WELL	DESCRIPTION
21	3VSB	I		3VSB	+3.3 V stand-by power supply for the digital circuits.
48	VBAT	I		VBAT	+3 V on-board battery for the digital circuits.
8	VCC	I		VCC	+3.3 V power supply for driving 3 V on host interface.
52	AVCC3	I		AVCC3	Analog +3.3 V power input. Internally supply power to all analog circuits.
57	CPUD- / AGND	I		CPUD- / AGND	Analog ground. The ground reference for all analog input. Internally connected to all analog circuits. This pin should be connected to ground.
45	VSS	I		VSS	Ground.

### 5.11 AMD Power-On Sequence

PIN	SYMBOL	I/O	BUFFER TYPE	POWER WELL	DESCRIPTION
53	CPUVCOR E	I	AIN	AVCC3	Power sequence group B signal
50	VLDT	I	AIN	AVCC3	Power sequence group C signal
51	VDIMM	I	AIN	AVCC3	Memory power enable
42	VCORE_E N	O	OD <sub>12</sub>	VSB	CPU Vcore power enable
41	VLDT_EN	O	OD <sub>12</sub>	VSB	Hyper transport I/O power enable

PIN	SYMBOL	I/O	BUFFER TYPE	POWER WELL	DESCRIPTION
38	CPUPWRGD	O	OD <sub>12</sub>	VSB	AMD power on sequence ok signal
30	AMD_PSON#	O	OD <sub>12</sub>	VSB	Power supply on/off output to enable ATX

### 5.12 AMD SB-TSI Interface

PIN	SYMBOL	I/O	BUFFER TYPE	POWER WELL	DESCRIPTION
58	TSIC	O	OD <sub>12</sub>	VCC	AMD SB-TSI clock output.
60	TSID	I/O	IN <sub>tsp3</sub> OD <sub>12</sub>	VCC	AMD SB-TSI data input / output.

### 5.13 Dual Voltage Control

PIN	SYMBOL	I/O	BUFFER TYPE	POWER WELL	DESCRIPTION
34	BKFD_CUT	O	OD <sub>12</sub>	VSB	Power distribution control (When switching between main and standby regulators) for system transition into and out of the S3 sleep state.
33	LATCH_BKFD_CUT	O	O <sub>24</sub>	VRTC	Power distribution control (When switching between main and standby regulators) for system transition into and out of the S5 sleep state.

### 5.14 DSW

PIN	SYMBOL	I/O	BUFFER TYPE	POWER WELL	DESCRIPTION
34	BKFD_CUT	O	OD <sub>12</sub>	VSB	Power distribution control (When switching between main and standby regulators) for system transition into and out of the S3 sleep state.
33	LATCH_BKFD_CUT	O	O <sub>24</sub>	VRTC	Power distribution control (When switching between main and standby regulators) for system transition into and out of the S5 sleep state.
44	SLP_SUS#	I	IN <sub>tp5</sub>	VSB	This pin connects to SLP_SUS# in CPT PCH
43	SLP_SUS_FET	O	OD <sub>12</sub>	VSB	This pin connects to VSB power switch

### 5.15 IR

PIN	SYMBOL	I/O	BUFFER TYPE	POWER WELL	DESCRIPTION
46	IRRX1	I	IN <sub>tsp5</sub>	VSB	IR Receiver input.
47	IRTX1	O	O <sub>12</sub>	VSB	IR Transmitter output.

## 5.16 General Purpose I/O Port

### 5.16.1 GPIO-2 Interface

PIN	SYMBOL	I/O	BUFFER TYPE	POWER WELL	DESCRIPTION
27	GP20	I/O	IN <sub>tp5</sub> O <sub>12</sub> OD <sub>12</sub>	VSB	General-purpose I/O port 2 bit 0.
26	GP21	I/O	IN <sub>tp5</sub> O <sub>12</sub> OD <sub>12</sub>	VSB	General-purpose I/O port 2 bit 1.
25	GP22	I/O	IN <sub>tp5</sub> O <sub>12</sub> OD <sub>12</sub>	VSB	General-purpose I/O port 2 bit 2.
24	GP23	I/O	IN <sub>tp5</sub> O <sub>12</sub> OD <sub>12</sub>	VSB	General-purpose I/O port 2 bit 3.
46	GP24	I/O	IN <sub>tp5</sub> O <sub>12</sub> OD <sub>12</sub>	VSB	General-purpose I/O port 2 bit 4.
47	GP25	I/O	IN <sub>tp5</sub> O <sub>12</sub> OD <sub>12</sub>	VSB	General-purpose I/O port 2 bit 5.

### 5.16.2 GPIO-3 Interface

PIN	SYMBOL	I/O	BUFFER TYPE	POWER WELL	DESCRIPTION
40	GP30	I/O	IN <sub>tp5</sub> O <sub>12</sub> OD <sub>12</sub>	VSB	General-purpose I/O port 3 bit 0.
39	GP32	I/O	IN <sub>tp5</sub> O <sub>12</sub> OD <sub>12</sub>	VSB	General-purpose I/O port 3 bit 2.
38	GP33	I/O	IN <sub>tp5</sub> O <sub>12</sub> OD <sub>12</sub>	VRTC	General-purpose I/O port 3 bit 3.
37	GP34	I/O	IN <sub>tp5</sub> O <sub>12</sub> OD <sub>12</sub>	VSB	General-purpose I/O port 3 bit 4.

PIN	SYMBOL	I/O	BUFFER TYPE	POWER WELL	DESCRIPTION
36	GP35	I/O	IN <sub>tp5</sub> O <sub>24</sub> OD <sub>24</sub>	VSB	General-purpose I/O port 3 bit 5.
35	GP36	I/O	IN <sub>tp5</sub> O <sub>24</sub> OD <sub>24</sub>	VSB	General-purpose I/O port 3 bit 6.

5.16.3 GPIO-4 Interface

PIN	SYMBOL	I/O	BUFFER TYPE	POWER WELL	DESCRIPTION
23	GP41	I/O	IN <sub>tsp5</sub> O <sub>12</sub> OD <sub>12</sub>	VSB	General-purpose I/O port 4 bit 1.
22	GP42	I/O	IN <sub>tsp5</sub> O <sub>12</sub> OD <sub>12</sub>	VSB	General-purpose I/O port 4 bit 2.

5.16.4 GPIO-5 Interface

PIN	SYMBOL	I/O	BUFFER TYPE	POWER WELL	DESCRIPTION
31	GP51	I/O	IN <sub>tp5</sub> O <sub>12</sub> OD <sub>12</sub>	VSB	General-purpose I/O port 5 bit 1.
30	GP52	I/O	IN <sub>tp5</sub> O <sub>8</sub> OD <sub>8</sub>	VSB	General-purpose I/O port 5 bit 2.
29	GP53	I/O	IN <sub>tp5</sub> O <sub>8</sub> OD <sub>8</sub>	VSB	General-purpose I/O port 5 bit 3.
28	GP54	I/O	IN <sub>tp5</sub> O <sub>12</sub> OD <sub>12</sub>	VSB	General-purpose I/O port 5 bit 4.

5.16.5 GPIO-7 Interface

PIN	SYMBOL	I/O	BUFFER TYPE	POWER WELL	DESCRIPTION
-----	--------	-----	-------------	------------	-------------



PIN	SYMBOL	I/O	BUFFER TYPE	POWER WELL	DESCRIPTION
44	GP74	I/O	IN <sub>tp5</sub> O <sub>12</sub> OD <sub>12</sub>	VSB	General-purpose I/O port 7 bit 4.
43	GP75	I/O	IN <sub>tp5</sub> O <sub>12</sub> OD <sub>12</sub>	VSB	General-purpose I/O port 7 bit 5.
42	GP76	I/O	IN <sub>tp5</sub> O <sub>12</sub> OD <sub>12</sub>	VSB	General-purpose I/O port 7 bit 6.
41	GP77	I/O	IN <sub>tp5</sub> O <sub>12</sub> OD <sub>12</sub>	VSB	General-purpose I/O port 7 bit 7.

#### 5.16.6 GPIO-8 Interface

PIN	SYMBOL	I/O	BUFFER TYPE	POWER WELL	DESCRIPTION
13	GP80	I/O	IN <sub>tp5</sub> O <sub>12</sub> OD <sub>12</sub>	VSB	General-purpose I/O port 8 bit 0.
14	GP81	I/O	IN <sub>tp5</sub> O <sub>12</sub> OD <sub>12</sub>	VSB	General-purpose I/O port 8 bit 1.
15	GP82	I/O	IN <sub>tp5</sub> O <sub>12</sub> OD <sub>12</sub>	VSB	General-purpose I/O port 8 bit 2.
16	GP83	I/O	IN <sub>tp5</sub> O <sub>12</sub> OD <sub>12</sub>	VSB	General-purpose I/O port 8 bit 3.
17	GP84	I/O	IN <sub>tp5</sub> O <sub>12</sub> OD <sub>12</sub>	VSB	General-purpose I/O port 8 bit 4.
18	GP85	I/O	IN <sub>tp5</sub> O <sub>12</sub> OD <sub>12</sub>	VSB	General-purpose I/O port 8 bit 5.

PIN	SYMBOL	I/O	BUFFER TYPE	POWER WELL	DESCRIPTION
19	GP86	I/O	IN <sub>tp5</sub> O <sub>12</sub> OD <sub>12</sub>	VSB	General-purpose I/O port 8 bit 6.
20	GP87	I/O	IN <sub>tp5</sub> O <sub>12</sub> OD <sub>12</sub>	VSB	General-purpose I/O port 8 bit 7.

### 5.16.7 GPIO-9 Interface

PIN	SYMBOL	I/O	BUFFER TYPE	POWER WELL	DESCRIPTION
49	GP91	I/O	IN <sub>tp5</sub> O <sub>12</sub> OD <sub>12</sub>	VRTC	General-purpose I/O port 9 bit 1.

### 5.16.8 GPIO-A Interface

PIN	SYMBOL	I/O	BUFFER TYPE	POWER WELL	DESCRIPTION
58	GPA0	I/O	IN <sub>tp5</sub> O <sub>12</sub> OD <sub>12</sub>	VSB	General-purpose I/O port A bit 0.

### 5.17 Strapping Pins

PIN	SYMBOL	I/O	BUFFER TYPE	POWER WELL	DESCRIPTION
15	2E_4E_SEL	I	IN <sub>tdp5</sub>	VSB	SIO I/O address selection. (Strapped by LRESET#)  Strapped to high: SIO I/O address is 4Eh/4Fh. Strapped to low: SIO I/O address is 2Eh/2Fh.
16	24M_48M_SEL	I	IN <sub>tdp5</sub>	VSB	Input clock rate selection (Strapped by VCC [internal Power OK signal without any delay])  Strapped to high: The clock input on pin 15 is 48MHz. Strapped to low: The clock input on pin 15 is 24MHz.
18	TEST MODE1	I	IN <sub>tdp5</sub>	VSB	TEST MODE (Strapped by VCC [internal Power OK signal without any delay])  Please strapped to low

PIN	SYMBOL	I/O	BUFFER TYPE	POWER WELL	DESCRIPTION
47	AMDPWR_EN	I	IN <sub>tdp5</sub>	VSB	Enable AMD power sequence function. (Strapped by VSB power [internal RSMRST# signal])  Strapped to high: Enable AMD power sequence Strapped to low: Disable AMD power sequence

Note . All Strapping results can be programming by LPC Interface. There are three conditions below:

- 1) VSB Strapping result can be programming by LPC, and reset by RSMRST#.
- 2) VCC Strapping result can be programming by LPC, and reset by PWROK.
- 3) LRESET# Strapping (2E\_4E\_SEL) can be programming by LPC, and reset by LRESET#.

### 5.18 Internal pull-up, pull-down pins

Signal	Pin	Power well	Type	Resistor	Note
<b>Strapping Pins</b>					
2E_4E_SEL	15	3VSB	Pull-down	47.4K	2
24M_48M_SEL	16	3VSB	Pull-down	47.4K	2
TEST MODE1	18	3VSB	Pull-down	47.4K	2
AMDPWR_EN	47	3VSB	Pull-down	47.4K	3
<b>Advanced Configuration &amp; Power Interface</b>					
PSIN#	29	3VSB	Pull-up	47.03K	

Note1. FDC internal pull-up resistors could be controlled by Logic Device 0, CRF0 bit7. (=1, has pull-up (default); =0, no pull-up)

Note2. Active only during VCC Power-up reset

Note3. Active only during VSB Power-up reset

## 6. GLUE LOGIC

### 6.1 ACPI Glue Logic

Table 6-1 Pin Description

SYMBOL	PIN	DESCRIPTION
SLP_S5#	40	SLP_S5# input.
PWROK	39	This pin generates the PWROK signals while 3VCC is present.
RSMRST#	49	The RSMRST# signal is a reset output and is used as the VSB power on reset signal for the South Bridge. When the NCT5577D detects the 3VSB voltage rises to "V1", it then starts a delay – "t1" before the rising edge of RSMRST# asserting. If the 3VSB voltage falls below "V2", the RSMRST# de-asserts immediately.

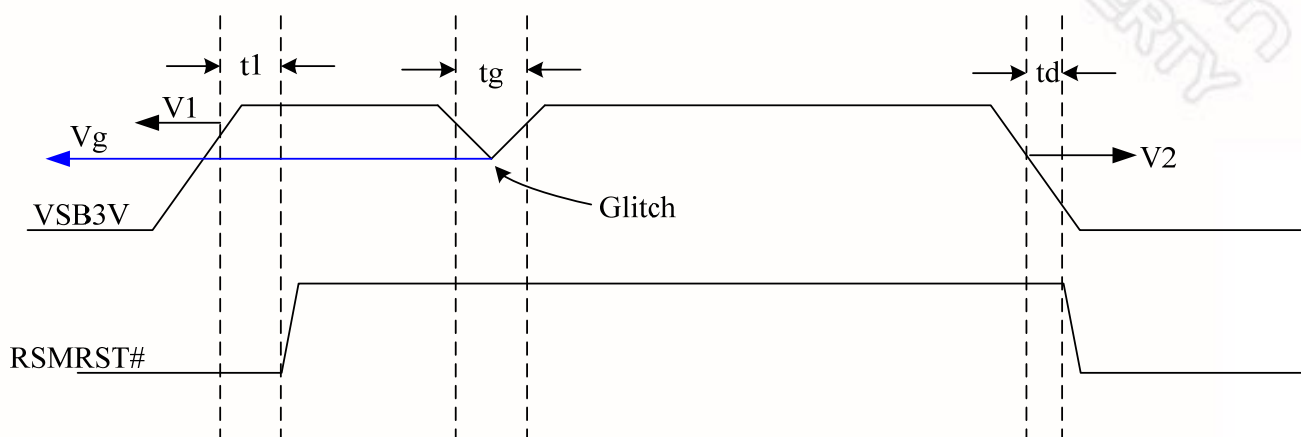


Figure 6-1 RSMRST#

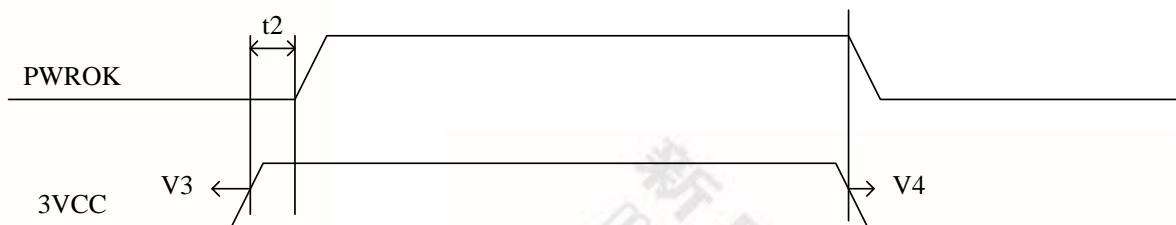


Figure 6-2 PWROK

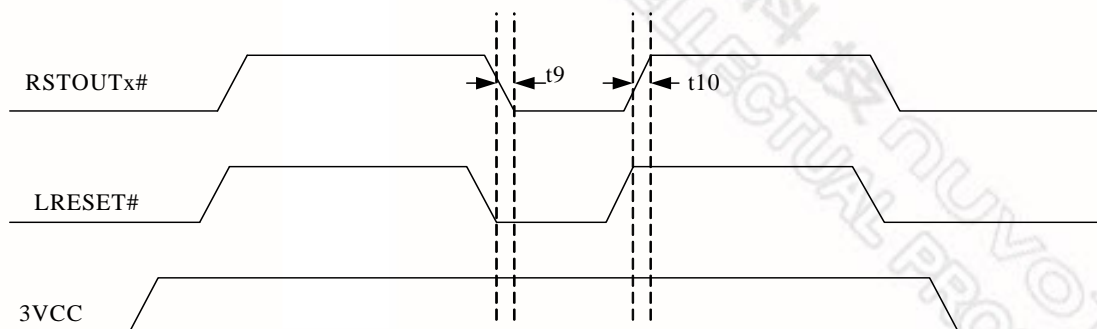


Figure 6-3 RSTOUT# and LRESET#

TIMING	PARAMETER	MIN	MAX	UNIT
t1	Valid 3VSB to RSMRST# inactive	200	300	mS
t2	Valid 3VCC to PWROK active	300	500	mS
t9	LRESET# active to RSTOUTx# active	0	80	nS
t10	LRESET# inactive to RSTOUTx# inactive	0	80	nS
tg	3VSB Glitch allowance		1	uS
td	Falling 3VSB supply Delay		1	uS

DC	PARAMETER	MIN	MAX	UNIT
V1	3VSB Valid Voltage	-	3.033	Volt
V2	3VSB Ineffective Voltage	2.882	-	Volt
Vg	3VSB drops by Power noise	2	-	Volt
V3	3VCC Valid Voltage	-	2.83	Volt
V4	3VCC Ineffective Voltage	2.68	-	Volt

- Note :
1. The values above are the worst-case results of R&D simulation.
  2. About Resume Reset Logic please refer to section 6.3 for more information.

### 6.2 BKFD\_CUT & LATCH\_BKFD\_CUT

NCT5577D supports BKFD\_CUT & LATCH\_BKFD\_CUT functions, please refer the timing diagram below:

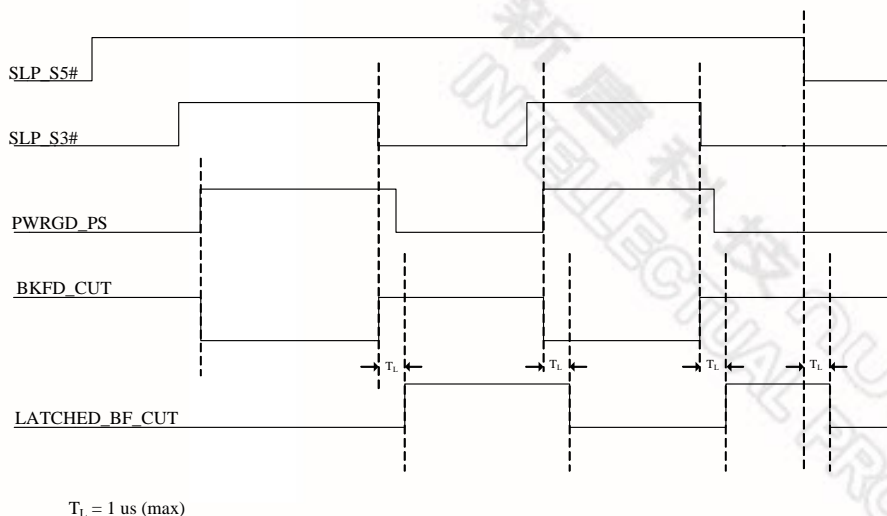


Figure 6-4 BKFD\_CUT and LATCH\_BKFD\_CUT

**BKFD\_CUT** (Backfeed\_Cut) – When high, switches dual rails to standby power.

**LATCH\_BKFD\_CUT** (Latched\_Backfeed\_Cut) – When high, switches dual rails to standby power.

### 6.3 PSIN# Block Diagram

The PSIN# function controls the main power on/off. The main power is turned on when PSIN# is low. Please refer to the figure below.

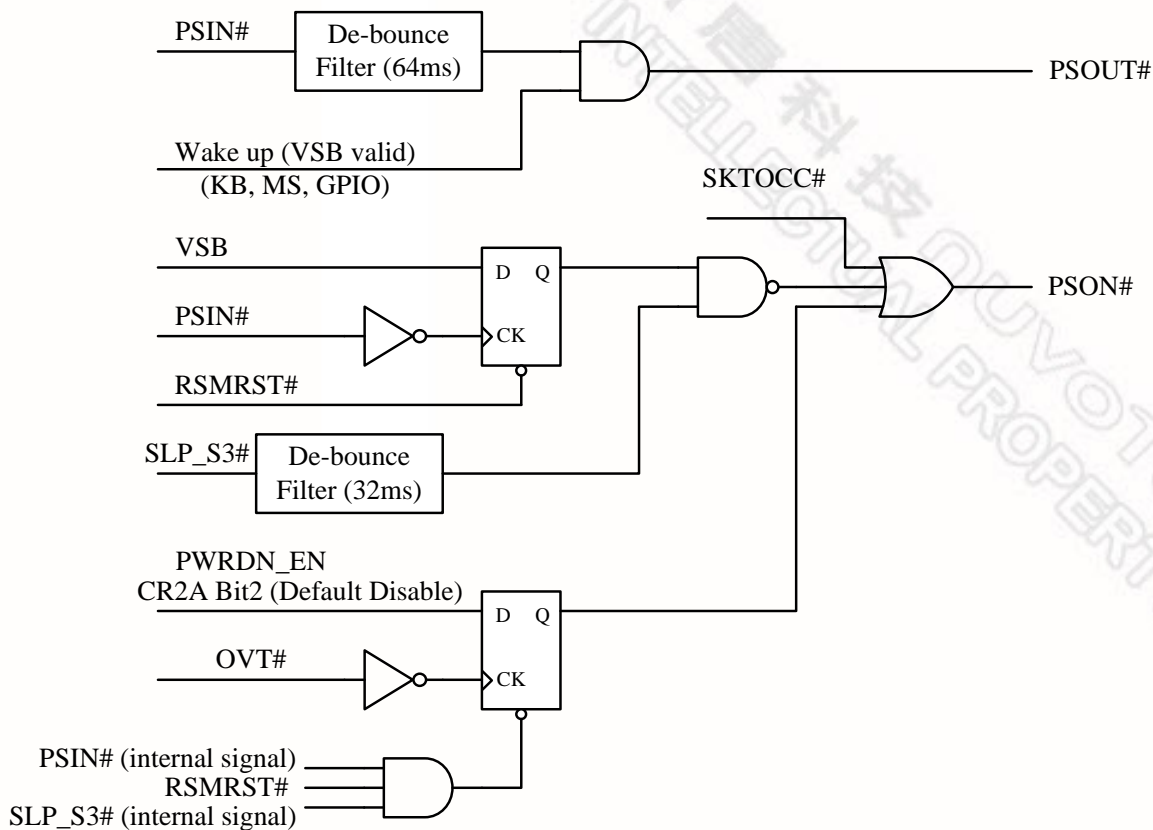


Figure 6-5 PSIN#

### 6.4 PWROK

PWROK Signal indicates the main power (VCC Power) is valid. Besides, valid PWROK signal also requires the following conditions, as shown in the figure below.

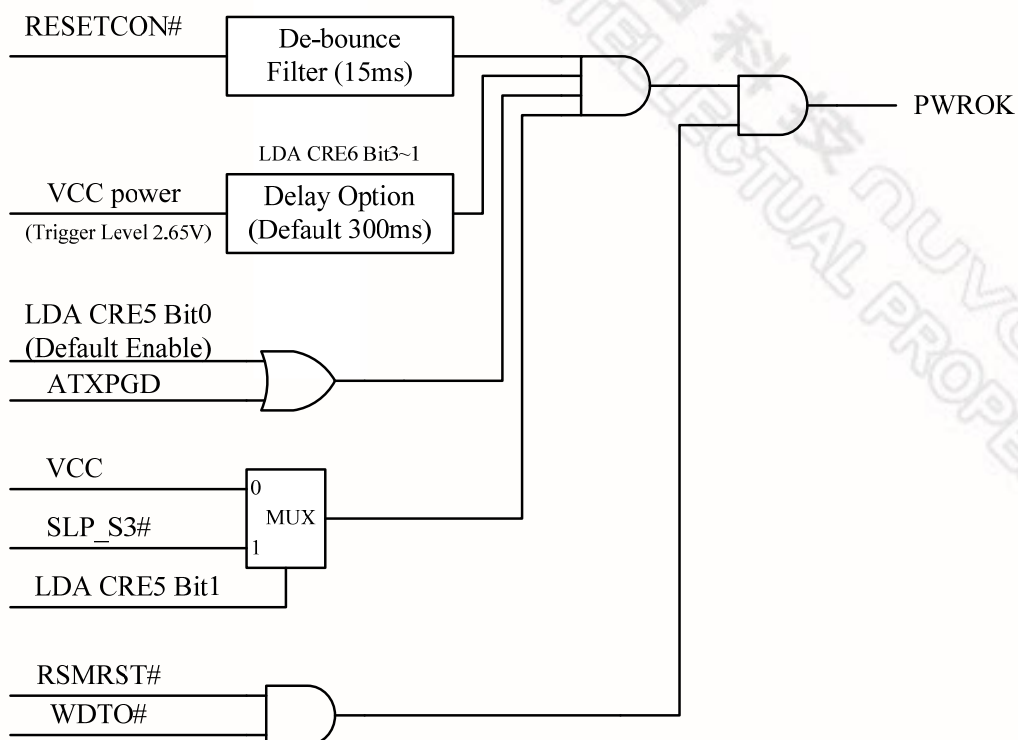


Figure 6-6 PWROK Block Diagram



### 6.5 Front Panel LEDs

NCT5577D supports two LED control pins – GRN\_LED and YLW\_LED via GPIO pins.

For dual-color LED application:

- (1) GRN\_LED pin is connected to a 470ohm resistor to 5VSB, and the cathode of the green LED and the anode of the yellow LED.
- (2) YLW\_LED pin is connected to a 470ohm resistor to 5VSB, and the cathode of the yellow LED and the anode of the green LED.

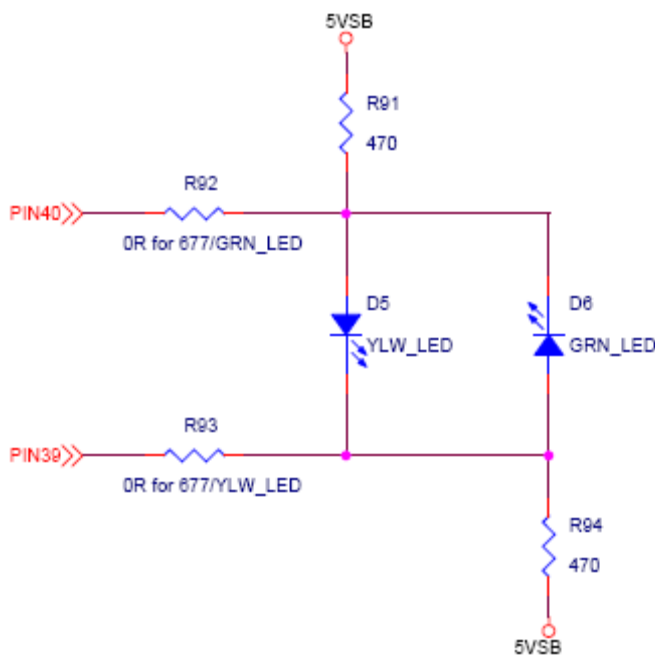


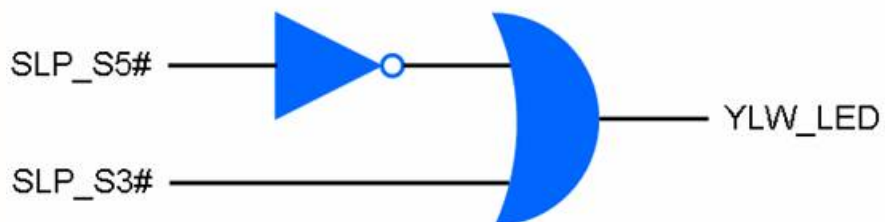
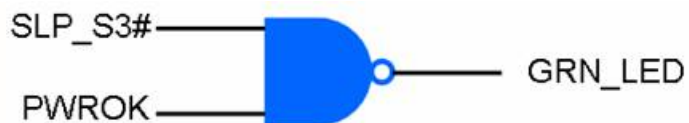
Figure 6-7 Illustration of Dual Color LED application

GRN\_LED and YLW\_LED pins are designed to show currently power states. There are Manual Mode and Automatic Mode:

#### 6.5.1 Automatic Mode

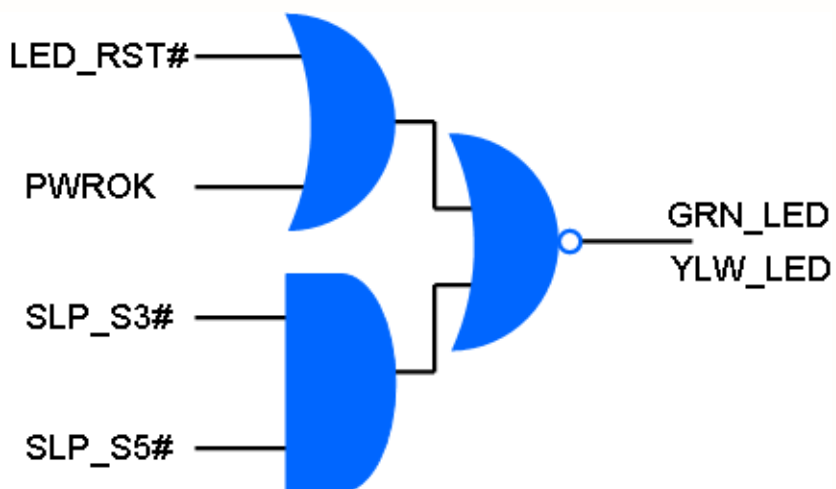
- Power state is S0 or S1: GRN\_LED will be asserted by default.
- Power state is S3: YLW\_LED will be asserted by default.
- Power states is S4 or S5: Both GRN\_LED and YLW\_LED will be de-asserted by default.

AUTO_EN	GRN_LED_RST (YLW_LED_RST)	Pwr State	SLP_S3#	SLP_S5#	GRN_LED	YLW_LED
1	X	S0,S1	1	1	GRN_BLK_FREQ	HIGH-Z
1	X	S3	0	1	HIGH-Z	YLW_BLK_FREQ
1	X	S4,S5	X	0	HIGH-Z	HIGH-Z



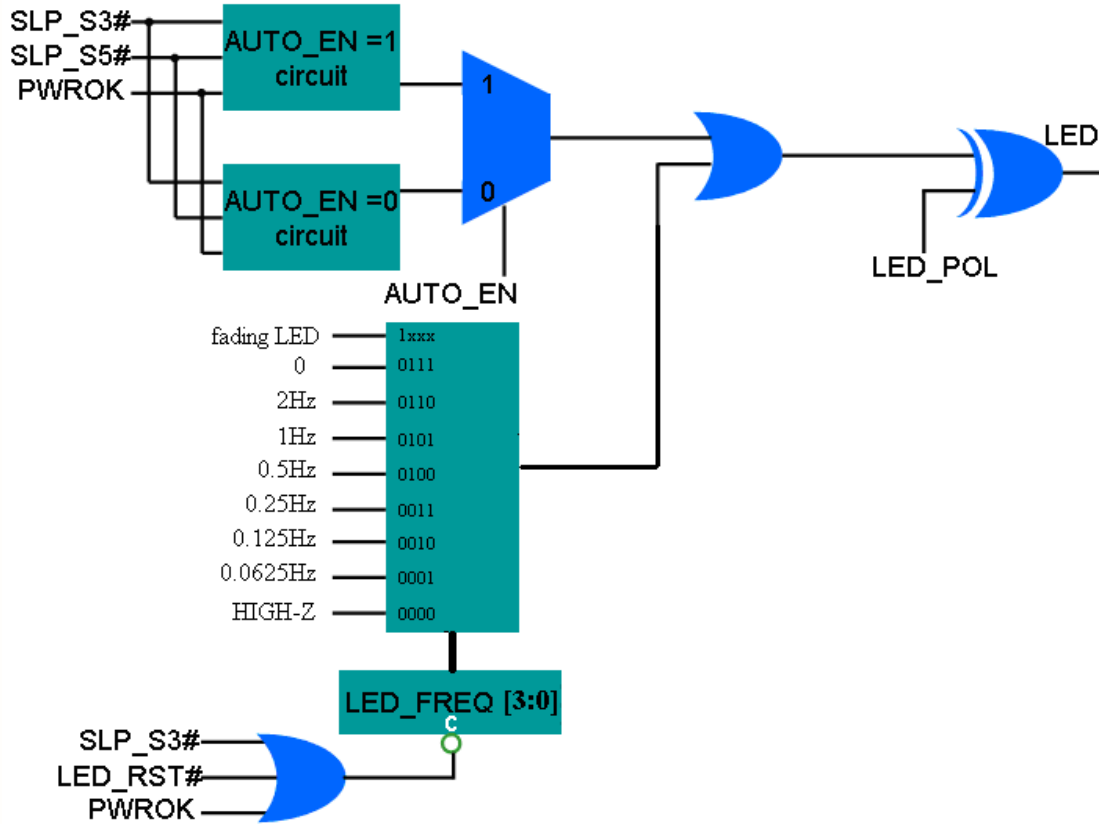
6.5.2 Manual Mode

AUTO_EN	GRN_LED_RST#	Pwr State	SLP_S3#	SLP_S5#	GRN_LED	YLW_LED
0	0	S0,S1	1	1	GRN_BLK_FREQ	YLW_BLK_FREQ
0	0	S3	0	1	HIGH-Z	HIGH-Z
0	0	S4,S5	X	0	HIGH-Z	HIGH-Z
0	1	S0,S1	1	1	GRN_BLK_FREQ	YLW_BLK_FREQ
0	1	S3	0	1	GRN_BLK_FREQ	YLW_BLK_FREQ
0	1	S4,S5	X	0	GRN_BLK_FREQ	YLW_BLK_FREQ



6.5.3 S0~S5 LED Blink Block Diagram

# S0~S5 Block



6.5.4 LED Pole (LED\_POL )

Set to 0b, GRN\_LED output is active low, as the following Figure(a)  
 Set to 1b, GRN\_LED output is active high, as the following Figure(b)

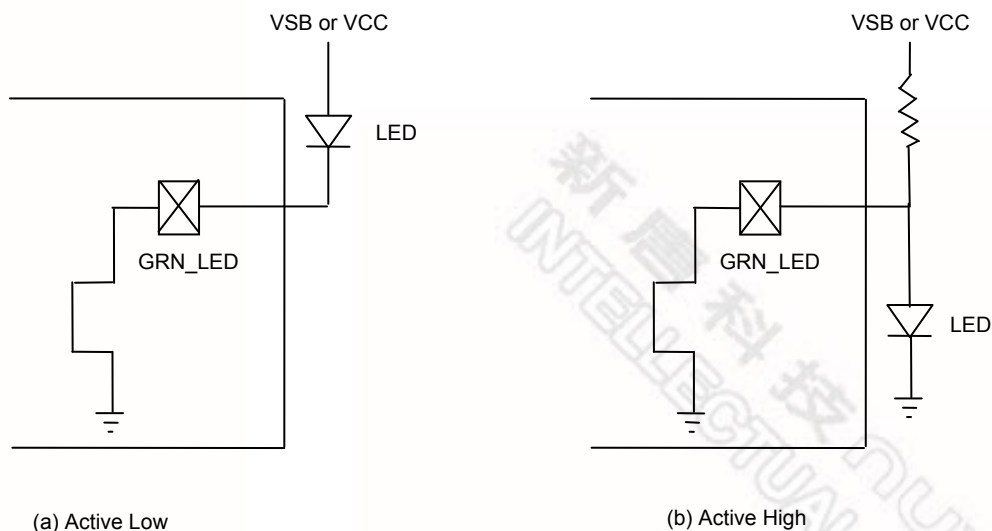


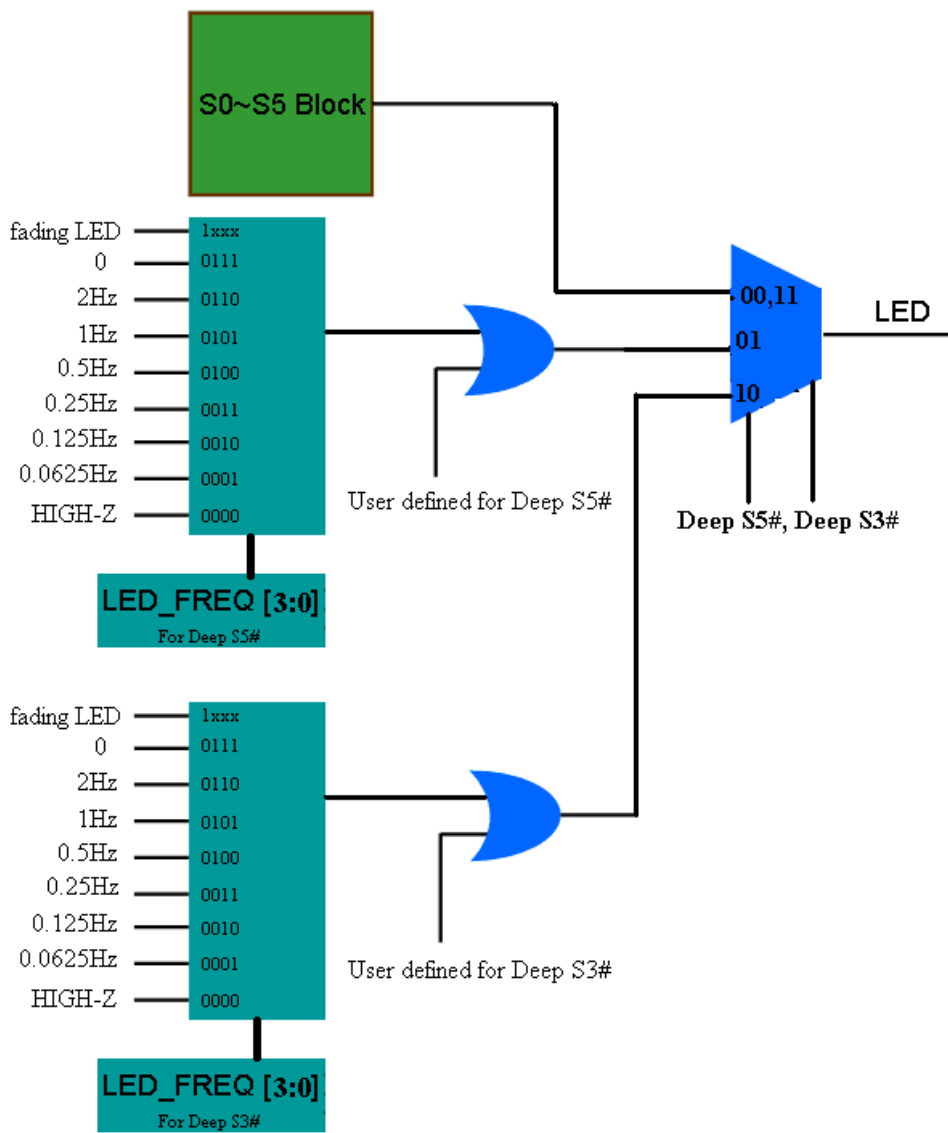
Figure 6-8 Illustration of LED polarity

### 6.5.5 Deeper Sleeping State Detect Function

These two LED pins could also be used to indicate if the system is in Deeper Sleeping State. For more detail, please refer to the section of Advanced Sleep State Control Function.

Enable_DEEP_S5	GRN_DEEPS#_Disable (YLV_DEEPS#_Disable)	Pwr State	GRN_LED	YLV_LED
1	0	DEEP_S5	DeepS5_GRN_BLK_FREQ	DeepS5_YLV_BLK_FREQ
1	1	DEEP_S5	HIGH-Z	HIGH-Z
0	X	S0~S5	S0~S5 behavior	S0~S5 behavior

Enable_DEEP_S3	GRN_DEEPS#_Disable (YLV_DEEPS#_Disable)	Pwr State	GRN_LED	YLV_LED
1	0	DEEP_S3	DeepS3_GRN_BLK_FREQ	DeepS3_YLV_BLK_FREQ
1	1	DEEP_S3	HIGH-Z	HIGH-Z
0	X	S0~S5	S0~S5 behavior	S0~S5 behavior



新唐科技 NUVOTON  
INTELLECTUAL PROPERTY

### 6.6 Advanced Sleep State Control (ASSC) Function

Advanced Sleep State Control (ASSC) Function is used to control the system power at S3 or S5 state. The purpose of this function is to provide a method to reduce power consumption at S3 or S5 state. This function is disabled by default. When VCC power is first supplied, BIOS can program the register to enable ASSC Function. The register is powered by 3VSB\_IO and some is powered by VBAT. The related registers are located at Logic Device 16 CRE0h ~ CRE3h.

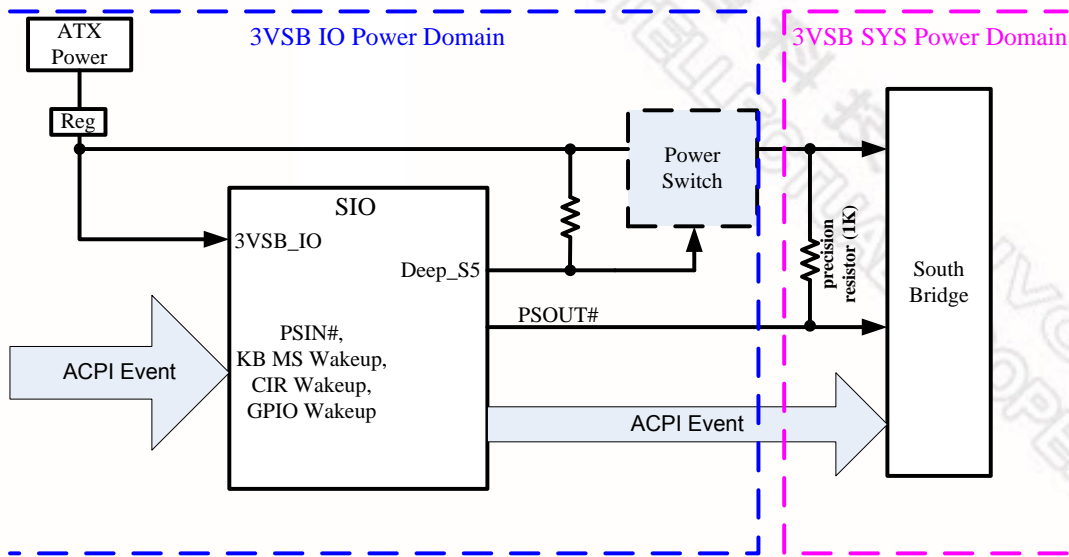
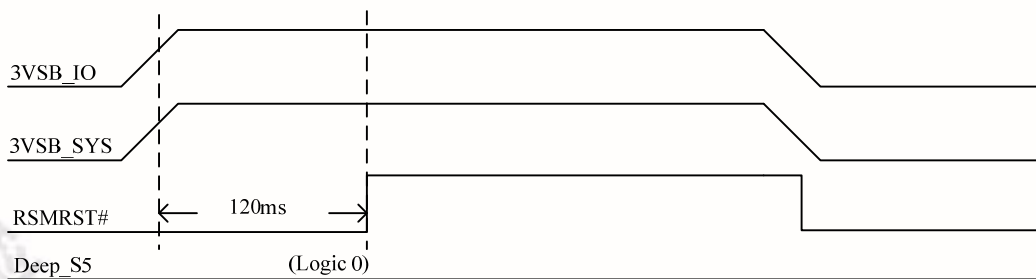


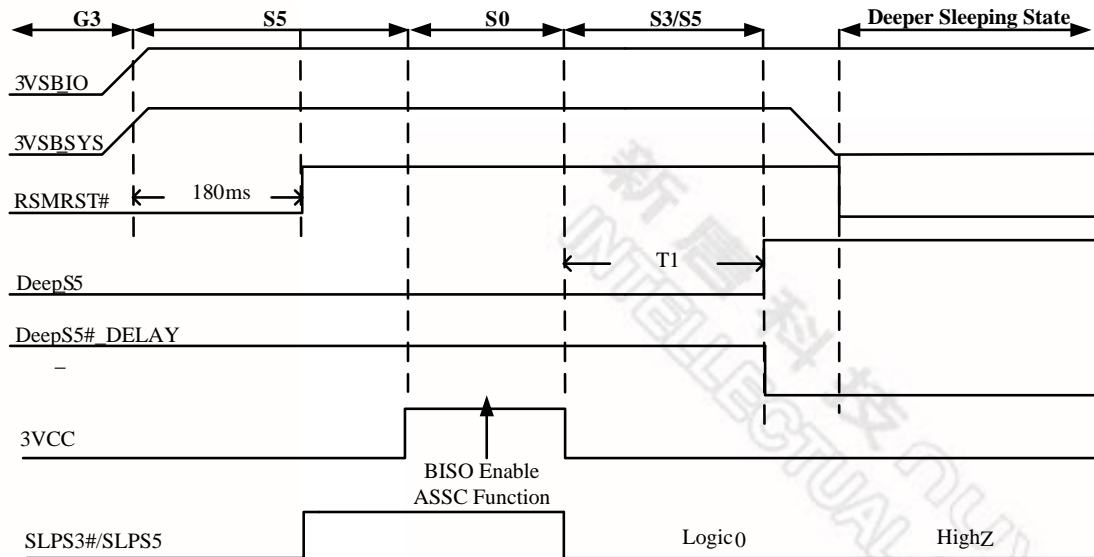
Figure 6-9 ASSC Application Diagram

#### 6.6.1 When ASSC is disabled



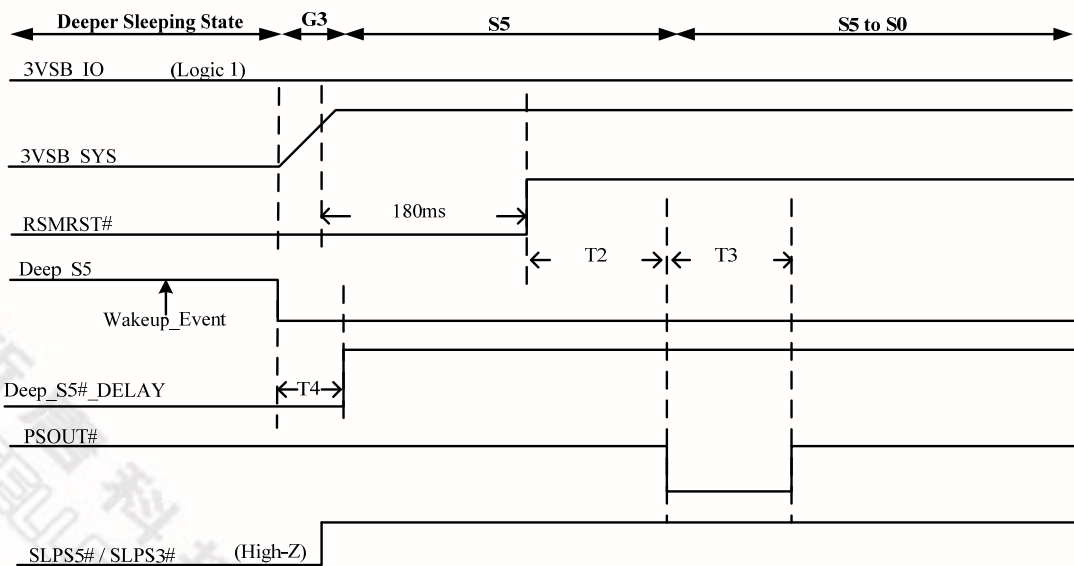
When ASSC is disabled, ACPI function is as same as the normal ACPI behavior.

#### 6.6.2 When ASSC is enabled (Enter into Deeper Sleeping State)



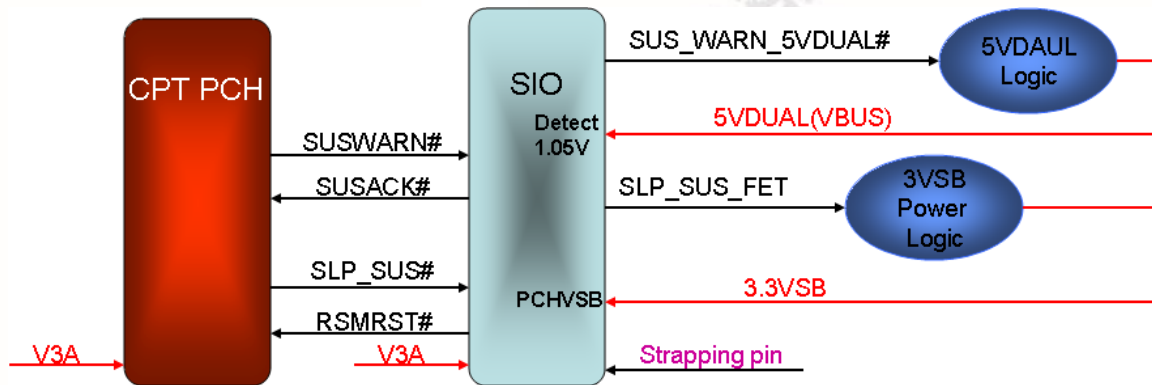
When the first time AC plug in and enter into S0 State, BIOS can enable ASSC Function (DeepS3 or DeepS5), when the system enters S3/S5 state, the pin DEEP\_S5 will be asserted after pre configuration delay time (power\_off\_dly\_time, LD16 CRE2) to make the system entering the “Deeper Sleeping State (DSS)” where system’s VSB power is cut off. When pin DEEP\_S5 asserts, the pin RSMRST# will de-assert by detecting PSOUT# signal (monitor 3VSB SYS Power).

### 6.6.3 When ASSC is enabled (Exit Deeper Sleeping State)

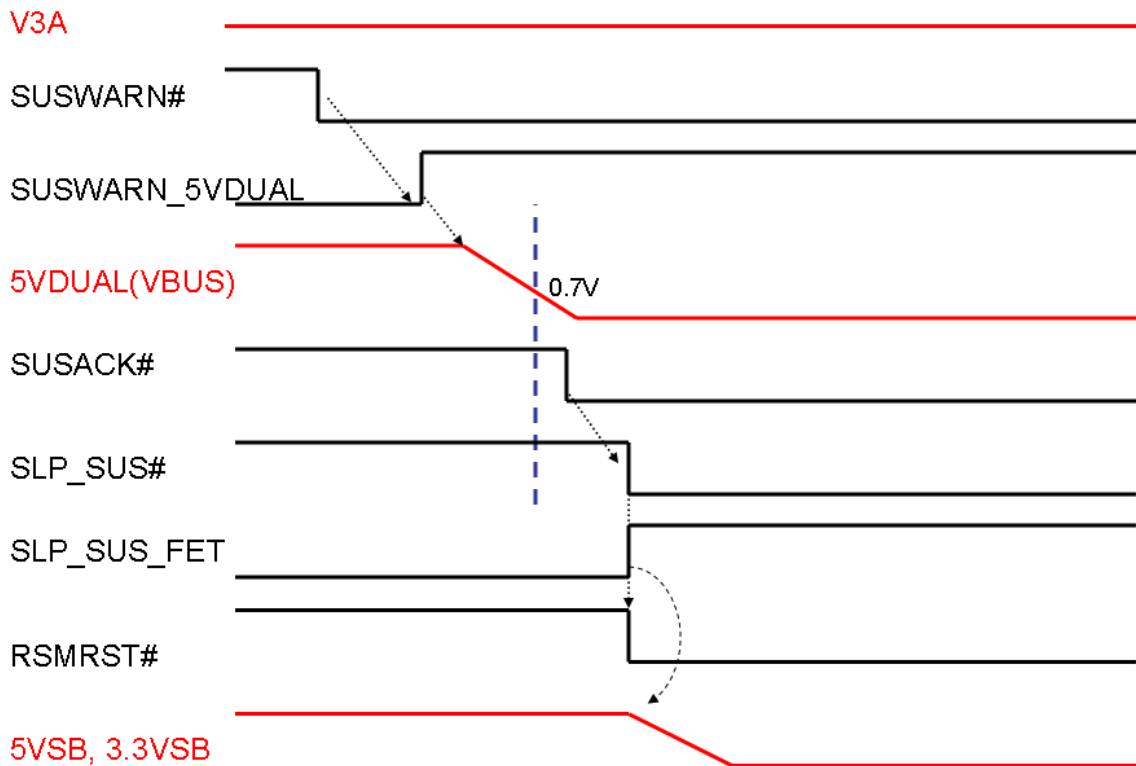


When any Wakeup Event (PSIN#, KB MS Wakeup, CIR wakeup, GPIO Wakeup) happened, pin DEEP\_S5 will be de-asserted to turn on the VSB power to the system. The pin RSMRST# will de-assert when 3VSB\_SYS power reach valid voltage. And then the pin PSOUT# will issue a low pulse (T3) turn on the system after T2 time (wakeup delay time, LD16 CRE0). The PSOUT# low pulse is also programmable (LD16 CRE1).

6.7 Intel DSW Function

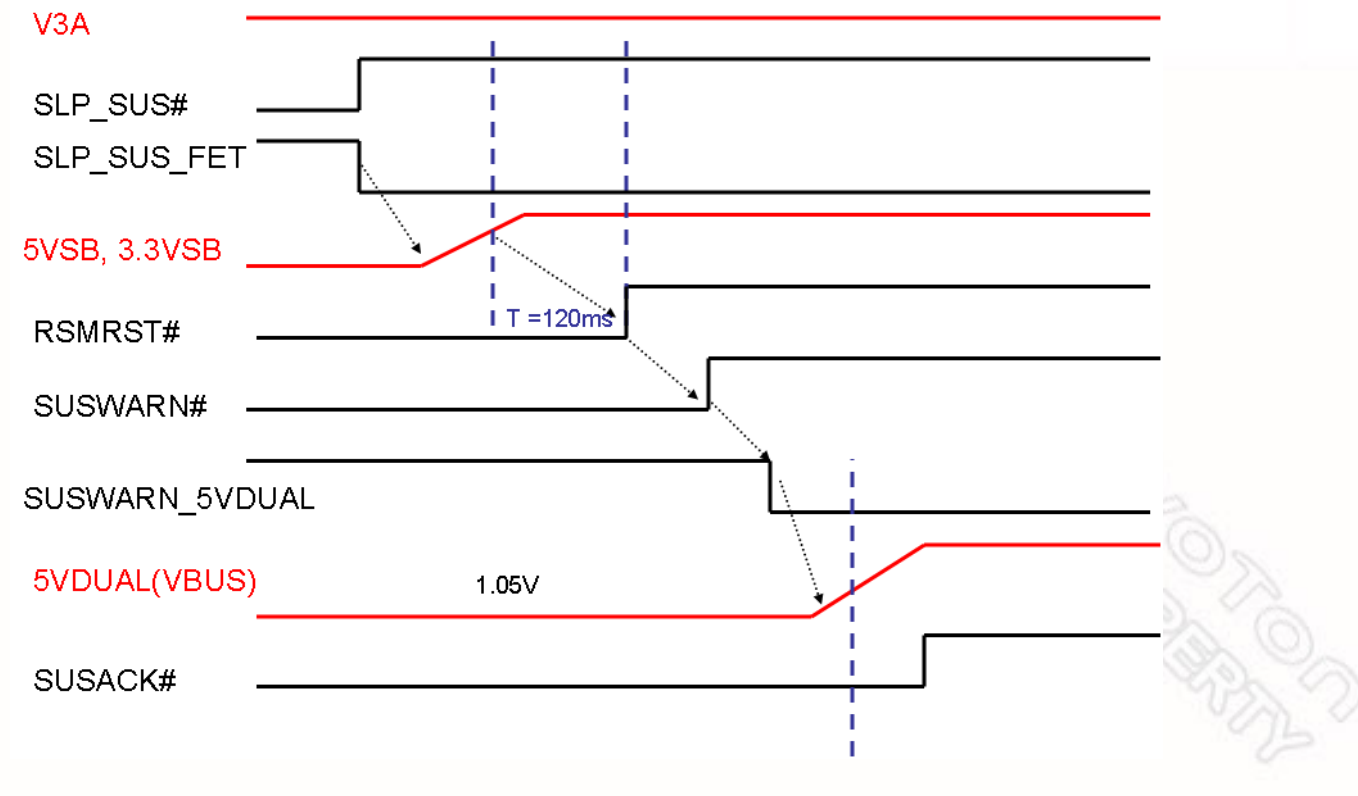


6.7.1 Enter DSW State timing diagram



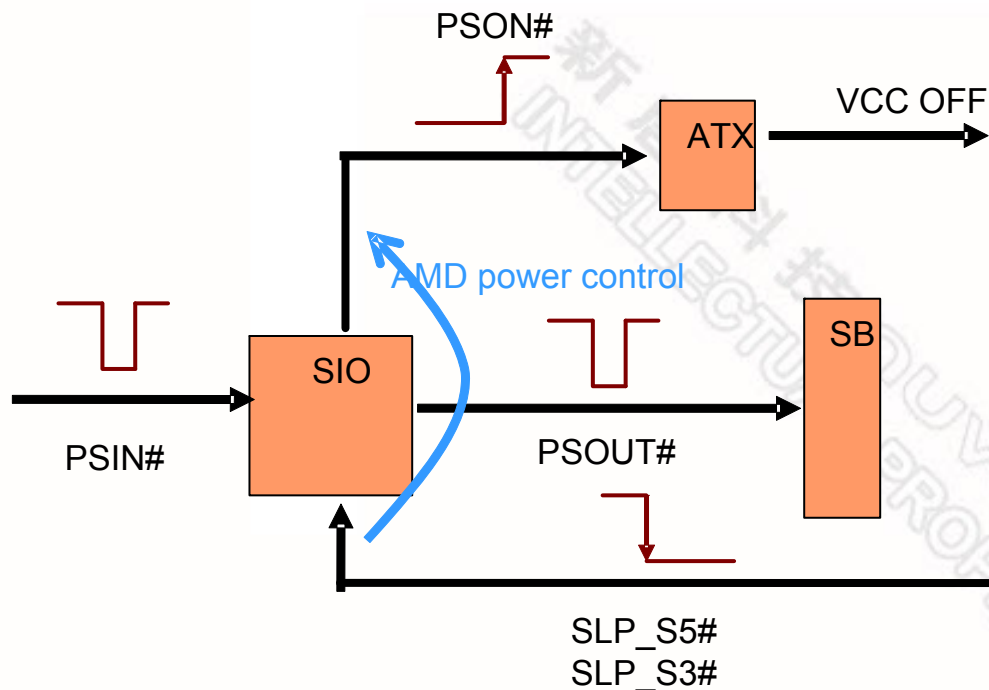


6.7.2 Exit DSW State timing diagram



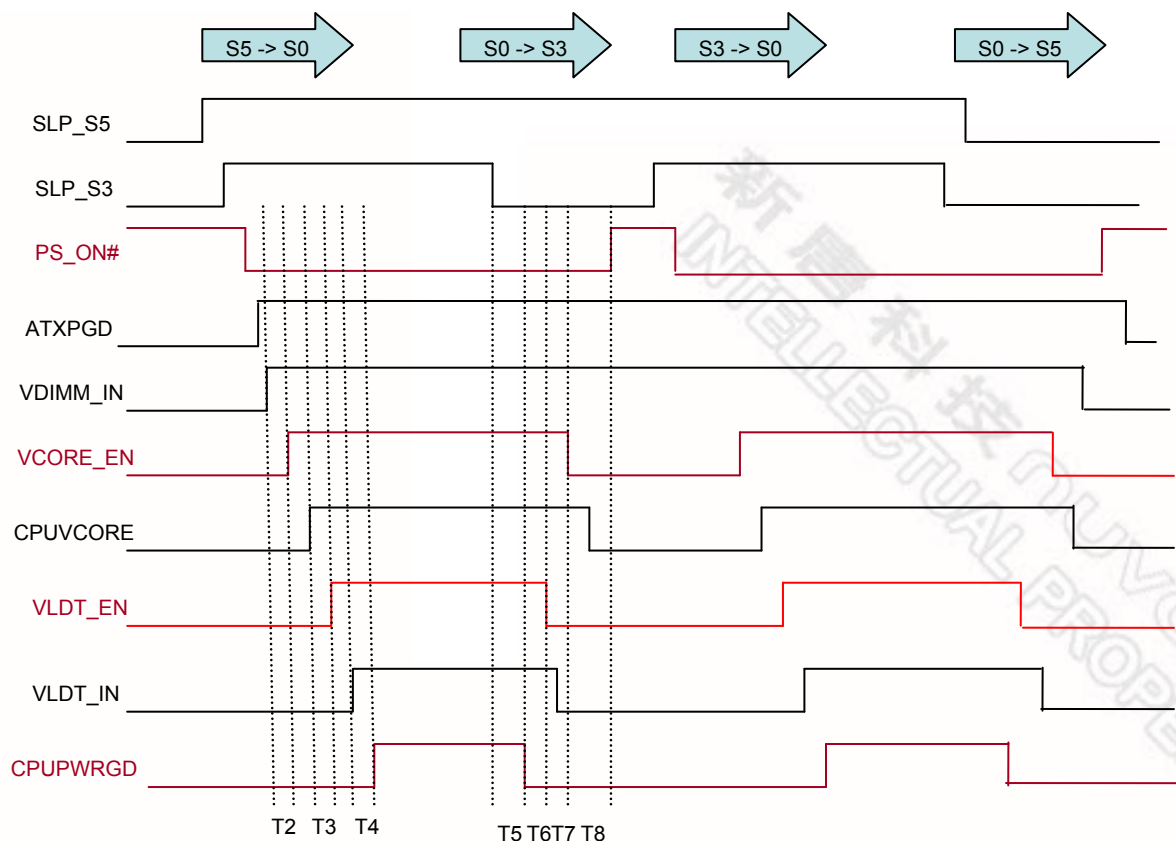
新唐科技 NUVOTON  
INTELLECTUAL PROPERTY

6.8 AMD Power-On Sequence



We support new AMD power on sequence base on ACPI power on sequence; therefore, user can choose which architecture by set the strapping pin GP25. If GP25 is 0, only ACPI power on sequence is set; otherwise, AMD power on sequence is combined with ACPI, user can set CR2F[5] to get the same condition. To make sure CR2B[4]:GP34\_SEL and CR2B[0]:GP30\_SEL are "0" before running the sequence, because they are ATXPGD and SLP\_S5# pin select.

新唐科技 NUVOTON  
INTELLECTUAL PROPERTY



When S0->S3 or S0->S5, we support two kinds of power off sequence: one is non\_level detect, which means VCORE\_EN will pull low as long as about 10~15ms after VLDT\_EN pull low and PS\_ON will pull high as long as about 10~15ms after VCORE\_EN pull low; the other is level detect, which means VCORE\_EN will pull low depend on delay time and pre-power group VLDT\_IN and PS\_ON will pull high depend on pre-power group (VDIMM\_IN, ATXPGD) as well. User can set CR27[2] to choose two condition and its default is "0" (level detect).

Timing Parameters

Parameter	Description	Min.	Typ.	Max.	Unit
T2	Period of VDIMM rises to 0.7V to VCORE_EN assertion	10		15	ms
T3	Period of CPUVCORE rises to 0.7V to VLDT_EN assertion	10		15	ms
T4	Period of VLDT_IN rises to 0.7V to CPUPWRGD assertion	10		15	ms
T5	Period of SLP_S3# deassertion to CPUPWRGD deassertion	10		50	ms
T6	Period of CPUPWRGD deassertion to VLDT_EN deassertion	10		15	ms
T7	Period of VLDT_EN deassertion to VCORE_EN deassertion	10		15	ms
T8	Period of VCORE_EN deassertion to PS_ON# deassertion	10		15	ms

VDDA: 2.5V (not controlled by SIO)  
VDIMM: DDR 1.8V, DDR3 1.5V (not controlled by SIO)  
VLDT: 1.2V  
VCORE: 0.8V ~ 1.55V

To support AMD power on sequence, we add some Pinout as VLDT\_EN, VCORE\_EN, VLDT\_12, VDIMM\_18. The sequence follows the figure above. CPU and NB must conform to the SPEC or else the SIO will suspend at the sequence.

## 7. CONFIGURATION REGISTER ACCESS PROTOCOL

The NCT5577D uses a special protocol to access configuration registers to set up different types of configurations. The NCT5577D has a total of 24 Logical Devices (from Logical Device 0 to Logical Device 17 with the exception of Logical Device 0, 1, 4, C, D, 10, 11, 12, 13, 14 & 15 for backward compatibility) corresponding to thirteen individual functions: UART A (Logical Device 2), IR (Logical Device 3), Keyboard Controller (Logical Device 5), CIR (Logical Device 6), GPIO 7, 8 & 9 (Logical Device 7), WDT1 & GPIO A (Logical Device 8), GPIO 2, 3, 4, 5 & 7 (Logical Device 9), ACPI (Logical Device A), Hardware Monitor & Front Panel LED (Logical Device B), CIRWAKEUP (Logical Device E), GPIO (Logical Device F), Deep Sleep (Logical Device 16) and GPIOA (Logical Device 17).

It would require a large address space to access all of the logical device configuration registers if they were mapped into the normal PC address space. The NCT5577D, then, maps all the configuration registers through two I/O addresses (2Eh/2Fh or 4Eh/4Fh) set at power on by the strap pin 2E\_4E\_SEL. The two I/O addresses act as an index/data pair to read or write data to the Super I/O. One must write an index to the first I/O address which points to the register and read or write to the second address which acts as a data register.

An extra level of security is added by only allowing data updates when the Super I/O is in a special mode, called the Extended Function Mode. This mode is entered by two successive writes of 87h data to the first I/O address. This special mode ensures no false data can corrupt the Super I/O configuration during a program runaway.

There are a set of global registers located at index 0h – 2Fh, containing information and configuration for the entire chip.

The method to access the control registers of the individual logical devices is straightforward. Simply write the desired logical device number into the global register 07h. Subsequent accesses with indexes of 30h or higher are directly to the logical device registers.

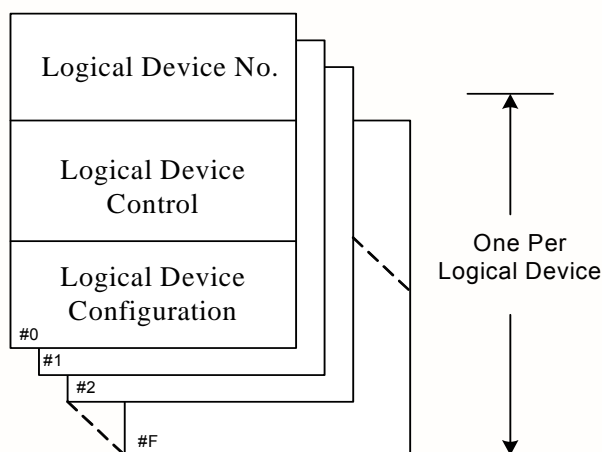


Figure 7-1 Structure of the Configuration Register

Table 7-1 Devices of I/O Base Address

LOGICAL DEVICE NUMBER	FUNCTION	I/O BASE ADDRESS
0	Reserved	
1	Reserved	
2	UART A	100h ~ FF8h
3	IR	100h ~ FF8h
4	Reserved	
5	Keyboard Controller	100h ~ FFFh
6	CIR	100h ~ FF8h
7	GPIO 7, 8 & 9	Reserved
8	WDT1 ,GPIO A	Reserved
9	GPIO 2, 3, 4, 5 &7	Reserved
A	ACPI	Reserved
B	Hardware Monitor & Front Panel LED	100h ~ FFEh
C	Reserved	
D	Reserved	
E	CIRWAKEUP	100h ~ FF8h
F	GPIO	Reserved
10	Reserved	
11	Reserved	
12	Reserved	
13	Reserved	
14	Reserved	
15	Reserved	
16	Deep Sleep	Reserved
17	GPIO A	Reserved

## 7.1 Configuration Sequence

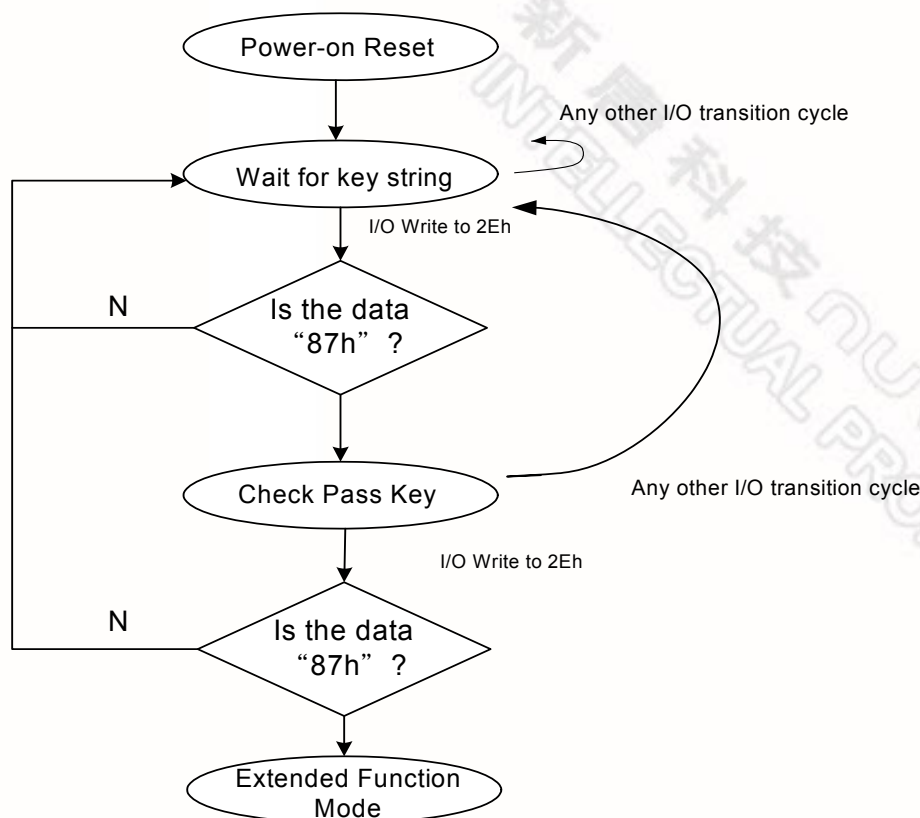


Figure 7-2 Configuration Register

To program the NCT5577D configuration registers, the following configuration procedures must be followed in sequence:

- (1). Enter the Extended Function Mode.
- (2). Configure the configuration registers.
- (3). Exit the Extended Function Mode.

### 7.1.1 Enter the Extended Function Mode

To place the chip into the Extended Function Mode, two successive writes of 0x87 must be applied to Extended Function Enable Registers (EFERs, i.e. 2Eh or 4Eh).

### 7.1.2 Configure the Configuration Registers

The chip selects the Logical Device and activates the desired Logical Devices through Extended Function Index Register (EFIR) and Extended Function Data Register (EFDR). The EFIR is located at the same address as the EFER, and the EFDR is located at address (EFIR+1).

First, write the Logical Device Number (i.e. 0x07) to the EFIR and then write the number of the desired Logical Device to the EFDR. If accessing the Chip (Global) Control Registers, this step is not required.

Secondly, write the address of the desired configuration register within the Logical Device to the EFIR and then write (or read) the desired configuration register through the EFDR.

### 7.1.3 Exit the Extended Function Mode

To exit the Extended Function Mode, writing 0xAA to the EFER is required. Once the chip exits the Extended Function Mode, it is in the normal running mode and is ready to enter the configuration mode.

### 7.1.4 Software Programming Example

The following example is written in Intel 8086 assembly language. It assumes that the EFER is located at 2Eh, so the EFIR is located at 2Eh and the EFDR is located at 2Fh. If the HEFRAS (CR[26h] bit 6 showing the value of the strap pin at power on) is set, 2Eh can be directly replaced by 4Eh and 2Fh replaced by 4Fh.

This example programs the configuration register F0h (clock source) of logical device 1 (UART A) to the value of 3Ch (24MHz). First, one must enter the Extended Function Mode, then setting the Logical Device Number (Index 07h) to 01h. Then program index F0h to 3Ch. Finally, exit the Extended Function Mode.

```

;-----
; Enter the Extended Function Mode
;-----
MOV  DX, 2EH
MOV  AL, 87H
OUT  DX, AL
OUT  DX, AL
;-----
; Configure Logical Device 1, Configuration Register CRF0
;-----
MOV  DX, 2EH
MOV  AL, 07H
OUT  DX, AL      ; point to Logical Device Number Reg.
MOV  DX, 2FH
MOV  AL, 01H
OUT  DX, AL      ; select Logical Device 1
;
MOV  DX, 2EH
MOV  AL, F0H
OUT  DX, AL      ; select CRF0
MOV  DX, 2FH
MOV  AL, 3CH
OUT  DX, AL      ; update CRF0 with value 3CH
;-----
; Exit the Extended Function Mode
;-----
MOV  DX, 2EH
MOV  AL, AAH
OUT  DX, AL

```



## 8. HARDWARE MONITOR

### 8.1 General Description

The NCT5577D monitors several critical parameters in PC hardware, including power supply voltages, fan speeds, and temperatures, all of which are very important for a high-end computer system to work stably and properly. In addition, proprietary hardware reduces the amount of programming and processor intervention to control cooling fan speeds, minimizing ambient noise and maximizing system temperature and reliability.

The NCT5577D can simultaneously monitor all of the following inputs:

- Eight analog voltage inputs (Four internal voltages VBAT, 3VSB, 3VCC and AVCC; four external voltage inputs)
- Two fan tachometer inputs
- Two remote temperatures, using either a thermistor or from the CPU thermal diode (voltage or Current Mode measurement method)

These inputs are converted to digital values using the integrated, eight-bit analog-to-digital converter (ADC).

In response to these inputs, the NCT5577D can generate the following outputs:

- Two PWM (pulse width modulation) or DC fan outputs for the fan speed control
- SMI#

The NCT5577D provides hardware access to all monitored parameters through the LPC or I<sup>2</sup>C interface and software access through application software, such as Nuvoton's Health Manager, or BIOS.

The rest of this section introduces the various features of the NCT5577D hardware-monitor capability. These features are divided into the following sections:

- Access Interfaces
- Analog Inputs
- Fan Speed Measurement and Control
- Smart Fan Control
- SMI# interrupt mode
- Registers and Value RAM

### 8.2 Access Interfaces

The NCT5577D provides two interfaces, LPC and I<sup>2</sup>C, for the microprocessor to read or write the internal registers of the hardware monitor.

### 8.3 LPC Interface

The internal registers of the hardware monitor block are accessible through two separate methods on the LPC bus. The first set of registers, which primarily enable the block and set its address in the CPU I/O address space are accessed by the Super I/O protocol described in Chapter 7 at address 2Eh/2Fh or 4Eh/4Fh. The bulk of the functionality and internal registers of this block are accessed from an index/data pair of CPU I/O addresses. The standard locations are usually 295h/296h and are set by CR [60h] & CR [61h] accessed using the Super I/O protocol as described in Chapter 7.

Due to the number of internal register, it is necessary to separate the register sets into “banks” specified by register 4Eh. The structure of the internal registers is shown in the following figure.

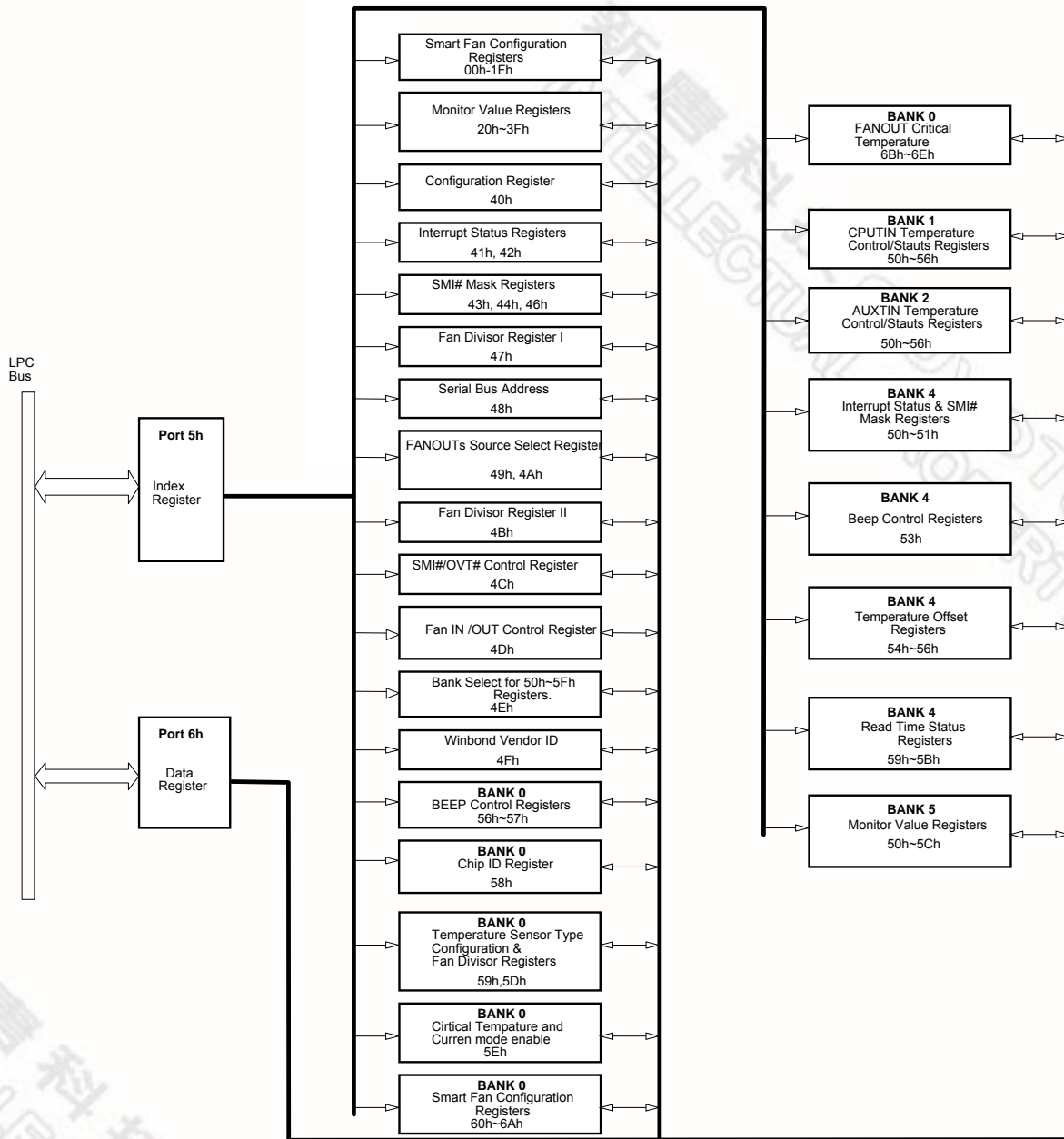


Figure 8-1 LPC Bus' Reads from / Write to Internal Registers

### 8.4 I<sup>2</sup>C interface

The I<sup>2</sup>C interface is a second, serial port into the internal registers of the hardware monitor function block. The interface is totally compatible with the industry-standard I<sup>2</sup>C specification, allowing external components that are also compatible to read the internal registers of the NCT5577D hardware monitor and control fan speeds. The address of the I<sup>2</sup>C peripheral is set by the register located at index 48h (which is accessed by the index/data pair at I/O address typically at 295h/296h)

The two timing diagrams below illustrate how to use the I<sup>2</sup>C interface to write to an internal register and how to read the value in an internal register, respectively.

(a) Serial bus write to internal address register followed by the data byte

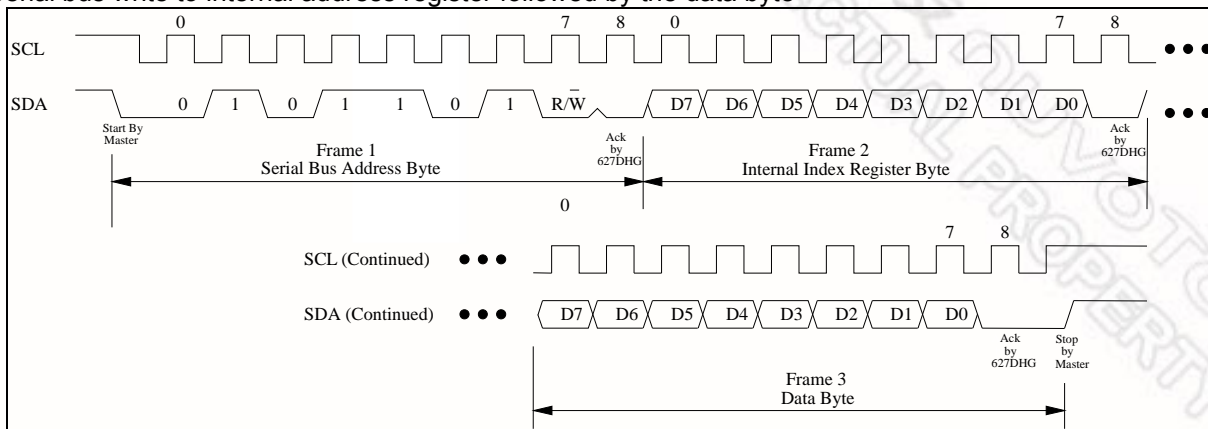


Figure 8-2 Serial Bus Write to Internal Address Register Followed by the Data Byte

(b) Serial bus read from a register

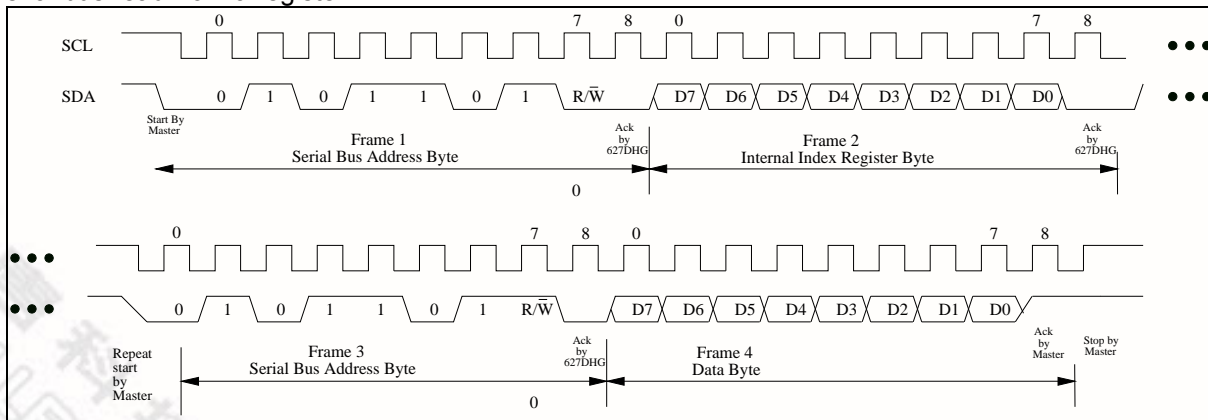


Figure 8-3 Serial Bus Read from Internal Address Register

### 8.5

**Analog Inputs**

The eight analog inputs of the hardware monitor block connect to an 8-bit Analog to Digital Converter (ADC) and consist of 4 general-purpose inputs connected to external device pins (CPUVCORE, VIN0, VIN1 and VIN3) and four internal signals connected to the power supplies (AVCC, VBAT, 3VSB and 3VCC). All inputs are limited to a maximum voltage of 2.048V due to an internal setting of 8mV LSB (256 steps x 8mV = 2.048V). All inputs to the ADC must limit the maximum voltage by using a voltage divider. The power supplies have internal resistors, while the external pins require outside limiting resistors as described below.

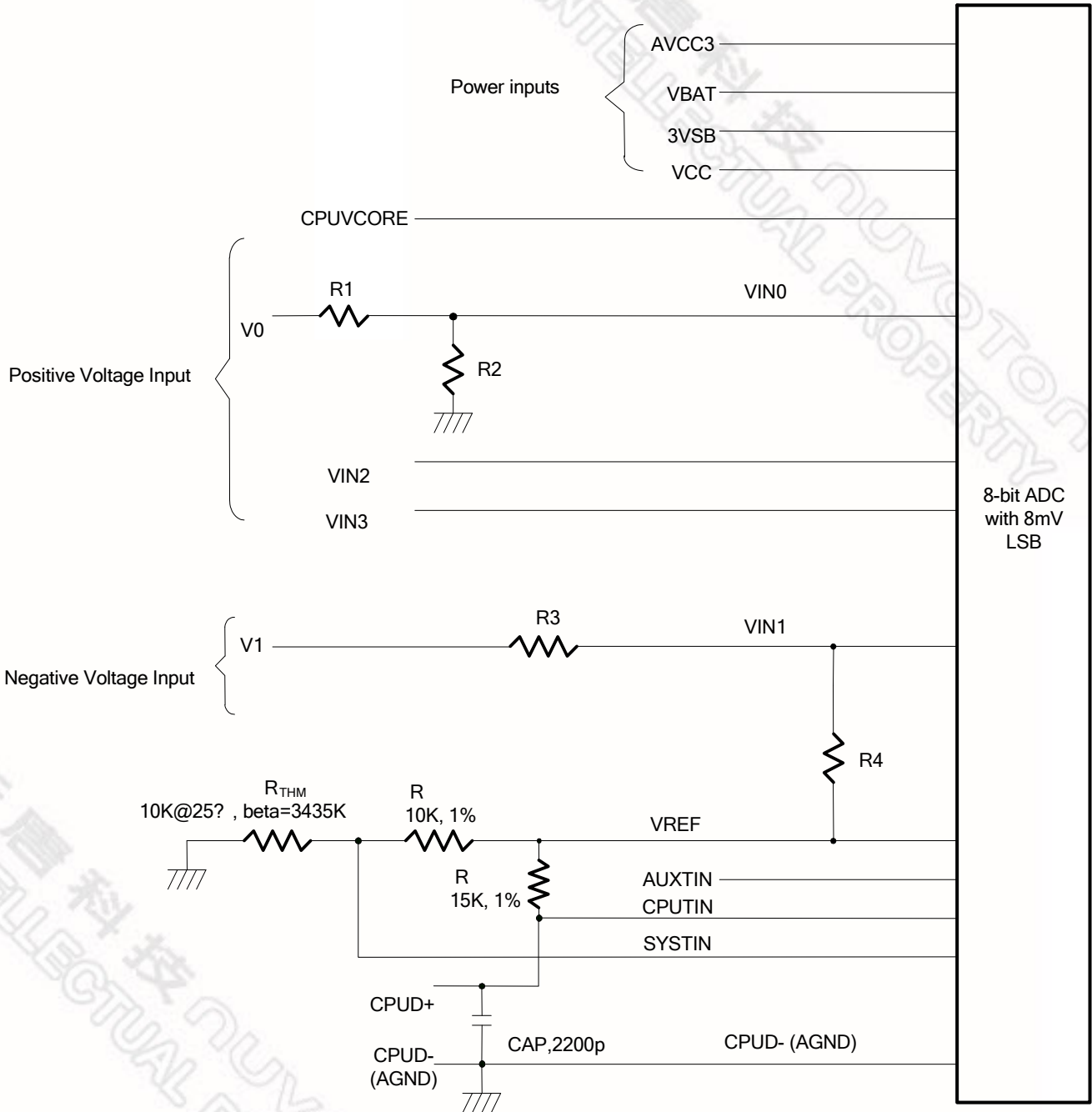


Figure 8-4 Analog Inputs and Application Circuit of the NCT5577D

As illustrated in the figure above, other connections may require some external circuits. The rest of this section provides more information about voltages outside the range of the 8-bit ADC, CPU Vcore voltage detection, and temperature sensing.

### 8.5.1 Voltages Over 2.048 V or Less Than 0 V

Input voltages greater than 2.048 V should be reduced by an external resistor divider to keep the input voltages in the proper range. For example, input voltage  $V_0$  (+12 V) should be reduced before it is connected to VIN0 according to the following equation:

$$VIN0 = V_0 \times \frac{R_2}{R_1 + R_2}$$

R1 and R2 can be set to 56 KΩ and 10 KΩ, respectively, to reduce  $V_0$  from +12 V to less than 2.048 V.

All the internal inputs of the ADC, AVCC, VBAT, 3VSB and 3VCC utilize an integrated voltage divider with both resistors equal to 34KΩ, yielding a voltage one half of the power supply. Since one would expect a worst-case 10% variation or a 3.63V maximum voltage, the input to the ADC will be 1.815V, well within the maximum range.

$$V_{in} = VCC \times \frac{34K\Omega}{34K\Omega + 34K\Omega} \cong 1.65V, \text{ where } VCC \text{ is set to } 3.3V$$

The CPUVCORE pin feeds directly into the ADC with no voltage divider since the nominal voltage on this pin is only 1.2V.

Negative voltages are handled similarly, though the equation looks a little more complicated. For example, negative voltage  $V_1$  (-12V) can be reduced according to the following equation:

$$VIN1 = (V_1 - 2.048) \times \frac{R_4}{R_3 + R_4} + 2.048, \text{ where } V_1 = -12$$

R3 and R4 can be set to 232 KΩ and 10 KΩ, respectively, to reduce negative input voltage  $V_1$  from -12 V to less than 2.048 V. Note that R4 is referenced to VREF, or 2.048V instead of 0V to allow for more dynamic range. This is simply good analog practice to yield the most precise measurements.

Both of these solutions are illustrated in the figure above.

### 8.5.2 Voltage Data Format

The data format for voltage detection is an eight-bit value, and each unit represents an interval of 8 mV.

$$\text{Detected Voltage} = \text{Reading} * 0.008 \text{ V}$$

If the source voltage was reduced by a voltage divider, the detected voltage value must be scaled accordingly.

NCT5577D has 8 voltage reading:

	<b>3VCC</b>	<b>AVCC</b>	<b>3VSB</b>	<b>VBAT</b>	
<b>Voltage reading</b>	Bank0, index23	Bank0, index22	Bank5, Index50	Bank5, Index51	
	<b>CPUVCORE</b>	<b>VIN0</b>	<b>VIN1</b>	<b>VIN3</b>	
<b>Voltage reading</b>	Bank0, index20	Bank0, index21	Bank0, index24	Bank0, index26	

### 8.5.3 Temperature Data Format

The data format for sensors CPUTIN and AUXTIN is 9-bit, two's-complement. This is illustrated in the table below. There are two sources of temperature data: external thermistors or thermal diodes.

Table 8-1 Temperature Data Format

TEMPERATURE	8-BIT DIGITAL OUTPUT		9-BIT DIGITAL OUTPUT	
	8-BIT BINARY	8-BIT HEX	9-BIT BINARY	9-BIT HEX
+125°C	0111,1101	7Dh	0,1111,1010	0FAh
+25°C	0001,1001	19h	0,0011,0010	032h
+1°C	0000,0001	01h	0,0000,0010	002h
+0.5°C	-	-	0,0000,0001	001h
+0°C	0000,0000	00h	0,0000,0000	000h
-0.5°C	-	-	1,1111,1111	1FFh
-1°C	1111,1111	FFh	1,1111,1110	1FFh
-25°C	1110,0111	E7h	1,1100,1110	1Ceh
-55°C	1100,1001	C9h	1,1001,0010	192h

#### 8.5.3.1. Monitor Temperature from Thermistor

External thermistors should have a  $\beta$  value of 3435K and a resistance of 10 K $\Omega$  at 25°C. As illustrated in the schematic above, the thermistor is connected in series with a 10-K $\Omega$  resistor and then connects to VREF (pin 54). The configuration registers to select a thermistor temperature sensor and the measurement method are found at Bank 0, index 59h, 5Dh, and 5Eh.

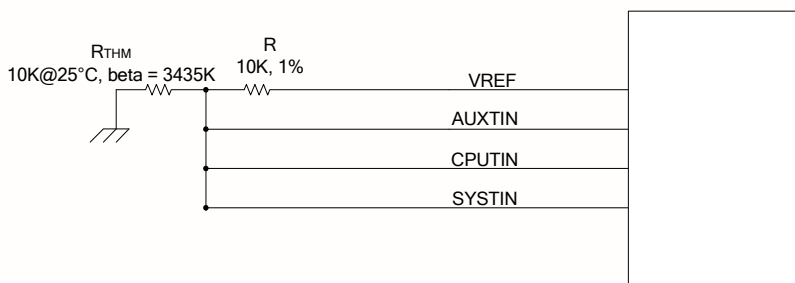


Figure 8-5 Monitoring Temperature from Thermistor

#### 8.5.3.2. Monitor Temperature from Thermal Diode (Voltage Mode)

The thermal diode D- pin is connected to AGND (pin 57), and the D+ pin is connected to the temperature sensor pin in the NCT5577D. A 15-K $\Omega$  resistor is connected to VREF to supply the bias current for the diode, and the 2200-pF, bypass capacitor is added to filter high-frequency noise. The configuration registers to select a thermal diode temperature sensor and the measurement method are found at Bank 0, index 59h, 5Dh, and 5Eh.

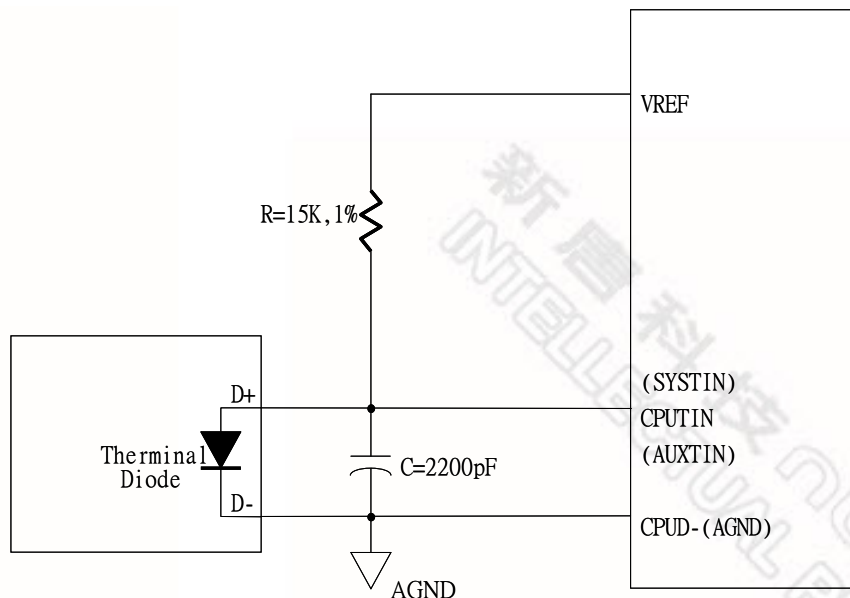


Figure 8-6 Monitoring Temperature from Thermal Diode (Voltage Mode)

**8.5.3.3. Monitor Temperature from Thermal Diode (Current Mode)**

The NCT5577D can also sense the diode temperature through Current Mode and the circuit is shown in the following figure.

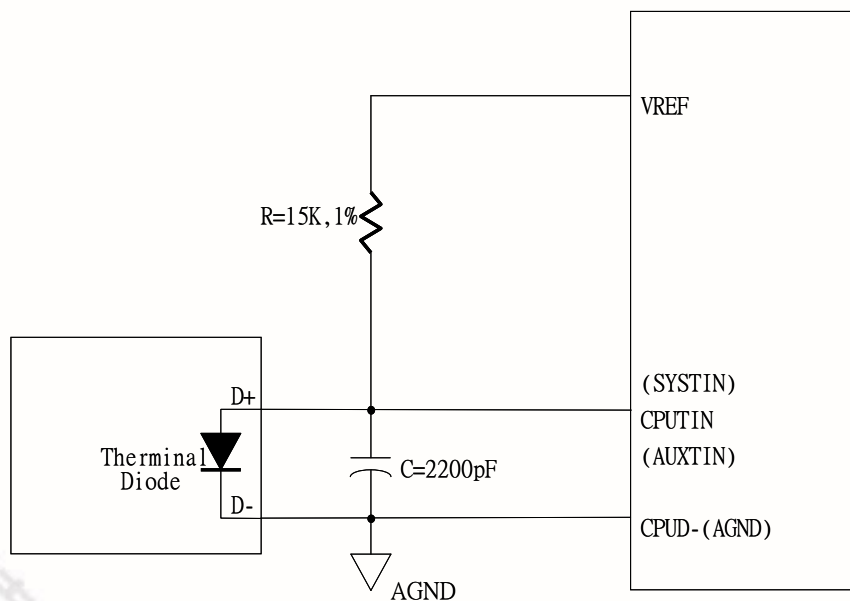


Figure 8-7 Monitoring Temperature from Thermal Diode (Current Mode)

The pin of processor D- is connected to CPUD- (pin 57) and the pin D+ is connected to temperature sensor pin in the NCT5577D. A bypass capacitor C=2200pF should be added to filter the high frequency noise. The configuration registers to select a thermal diode temperature sensor and the measurement method are found at Bank 0, index 59h, 5Dh, and 5Eh.

**8.5.3.4. Temperature Reading**

NCT5577D has 6 temperature reading can monitor different temperature sources (ex: CPUTIN, AUCTIN, PECL...etc).

	SMIOVT1	SMIOVT2	SMIOVT3	SMIOVT4	SMIOVT5	SMIOVT6
<b>Temperature source select</b>	Bank6, index21 bit[4:0]  default: SYSTIN	Bank6, index22 bit[4:0]  default: CPUTIN	Bank6, index23 bit[4:0]  default: AUCTIN	Bank6, index24 bit[4:0]  default: SYSTIN	Bank6, index25 bit[4:0]  default: SYSTIN	Bank6, index26 bit[4:0]  default: SYSTIN
<b>Temperature reading (2's complement)</b>	Bank0, index27	Bank1, index50 & index51 bit7	Bank2, index50 & index51 bit7	Bank6, index2B & index2E bit0	Bank6, index2C & index2E bit1	Bank6, index2D & index2E bit2

Note. If the temperature source is selecting to PECL, please set Bank0 Index AEh first for reading correct value



### 8.6 PECI

PECI (Platform Environment Control Interface) is a new digital interface to read the CPU temperature of Intel® CPUs. With a bandwidth ranging from 2 Kbps to 2 Mbps, PECI uses a single wire for self-clocking and data transfer. By interfacing to the Digital Thermal Sensor (DTS) in the Intel® CPU, PECI reports a negative temperature (in counts) relative to the processor’s temperature at which the thermal control circuit (TCC) is activated. At the TCC Activation temperature, the Intel CPU will operate at reduced performance to prevent the device from thermal damage.

PECI is one of the temperature sensing methods that the NCT5577D supports. The NCT5577D contains a PECI master and reads the CPU PECI temperature. The CPU is a PECI client.

The PECI temperature values returning from the CPU are in “counts” which are approximately linear in relation to changes in temperature in degrees centigrade. However, this linearity is approximate and cannot be guaranteed over the entire range of PECI temperatures. For further information, refer to the PECI specification. All references to “temperature” in this section are in “counts” instead of “°C”.

Figure 8-8 PECI Temperature shows a typical fan speed (PWM duty cycle) and PECI temperature relationship.

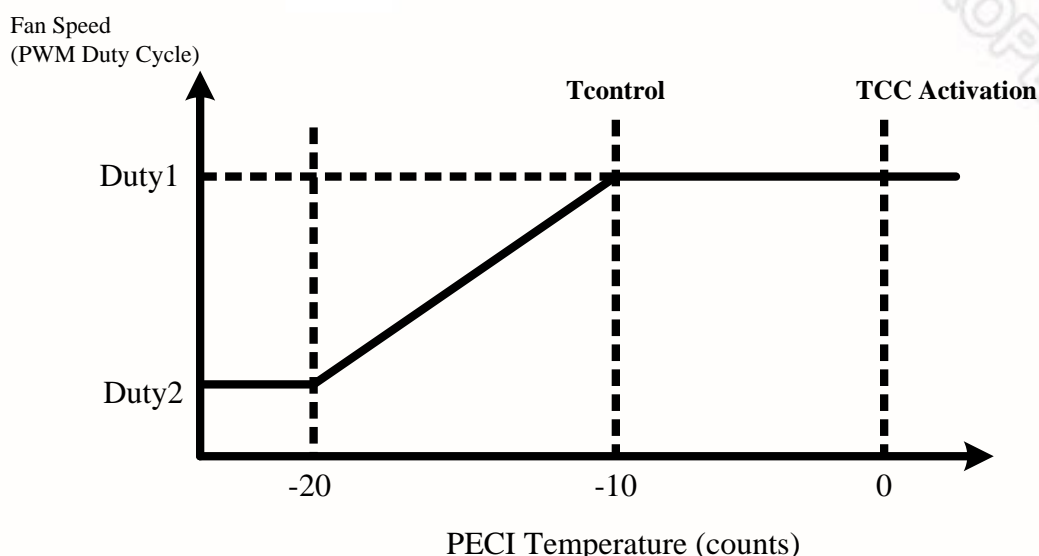


Figure 8-8 PECI Temperature

In this illustration, when PECI temperature is -20, the PWM duty cycle for fan control is at Duty2. When CPU is getting hotter and the PECI temperature is -10, the PWM duty cycle is at Duty1.

At Tcontrol PECI temperature, the recommendation from Intel is to operate the CPU fan at full speed. Therefore Duty1 is 100% if this recommendation is followed. The value of Tcontrol can be obtained by reading the related Machine Specific Register (MSR) in the Intel CPU. The Tcontrol MSR address is usually in the BIOS Writer’s guide for the CPU family in question. Refer to the relevant CPU documentation from Intel for more information. In this example, Tcontrol is -10.

When the PECI temperature is below -20, the duty cycle is fixed at Duty2 to maintain a minimum (and constant) RPM for the CPU fan.

NCT5577D’s fan control circuit can only accept positive real-time temperature inputs and limits setting (in Smart Fan™ mode). The device provides offset registers to ‘shift’ the negative PECI readings to positive values

otherwise the fan control circuit will not function properly. The offset registers are the Tbase registers located at Bank7, Index09h for PECI\_BASE0; Bank7, Index0Ah for PECI\_BASE1; separately. All default values of these Tbase registers are 8'h00. These registers should be programmed with (positive) values so that the resultant value (Tbase + PECI) is always positive. The unit of the Tbase register contents is "count" to match that of PECI values. The resultant value (Tbase + PECI) should not be interpreted as the "temperature" (whether in count or °C) of the PECI client (CPU).

Figure 8-9 Temperature and Fan Speed Relation after Tbase Offsets shows the temperature/fan speed relationship after Tbase offsets are applied (based on Figure 8-8 PECI Temperature). This view is from the perspective of the NCT5577D fan control circuit.

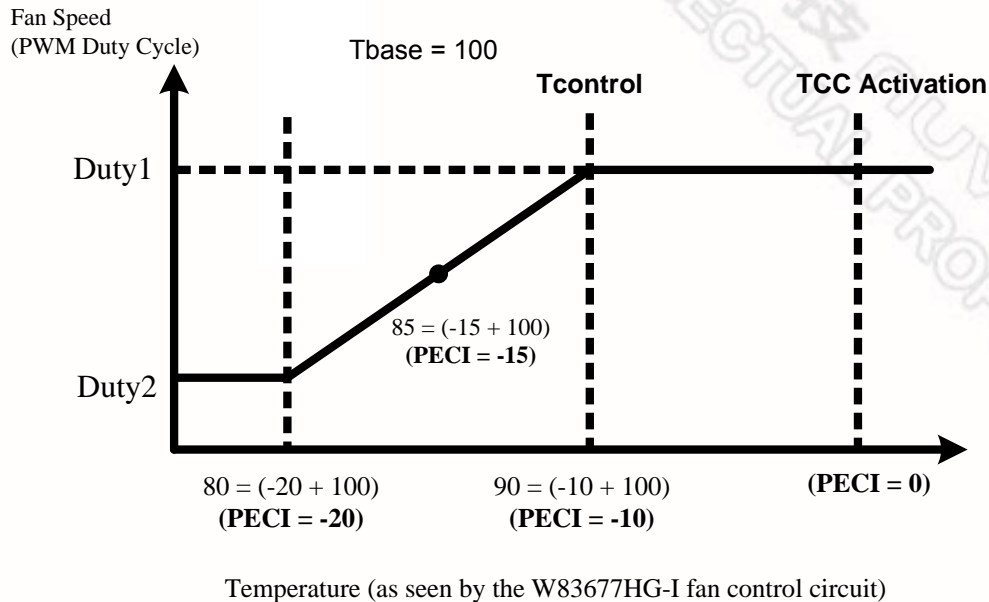


Figure 8-9 Temperature and Fan Speed Relation after Tbase Offsets

Assuming Tbase is set to 100 and the PECI temperature is -15, the real-time temperature value to the fan control circuit will be 85 (-15 + 100). The value of 55 (hex) will appear in the relevant real-time temperature register.

While using Smart Fan control function of NCT5577D, BIOS/software must include Tbase in determining the thresholds (limits). In this example, assuming Tcontrol is -10 and Tbase is set to 100<sup>(1)</sup>, the threshold temperature value corresponding to the "100% fan duty cycle" event is 90 (-10+100). The value of 5A (hex) should be written to the relevant threshold register.

Tcontrol is typically -10 to -20 for PECI-enabled CPUs. Base on that, a value of 85 ~100 for Tbase could be set for proper operation of the fan control circuit. This recommendation is applicable for most designs. In general, the concept presented in this section could be used to determine the optimum value of Tcontrol to match the specific application.

## 8.7 Fan Speed Measurement and Control

This section is divided into two parts, one to measure the speed and one to control the speed.

### 8.7.1 Fan Speed Reading

The fan speed reading at:

	FAN COUNT READING		FAN RPM READING	
	16-bit		16-bit	
	[12:5]	[4:0]	[15:8]	[7:0]
<b>SYSFANIN</b>	Bank6, index30	Bank6, index31	Bank6, index56	Bank6, index57
<b>CPUFANIN</b>	Bank6, index32	Bank6, index33	Bank6, index58	Bank6, index59

### 8.7.2 Fan Speed Calculation by Fan Count Reading

In 16-bit fan count reading, please read high byte first then low byte.

Fan speed RPM can be evaluated by the following equation, fan count could be 8-bit or 16-bit:

$$RPM = \frac{1.35 \times 10^6}{Count}$$

### 8.7.3 Fan Speed Calculation by Fan RPM Reading

In 16-bit fan RPM reading, please read high byte first then low byte.

Fan speed RPM can be evaluated by translating 16-bit RPM reading from hexadecimal to decimal.

Register reading 0x09C4h = 2500 RPM

### 8.7.4 Fan Speed Control

The NCT5577D has two output pins for fan control, each of which offers PWM duty cycle and DC voltage to control the fan speed. The output type (PWM or DC) of each pin is configured by Bank0 index 04h, bits 0 for SYSFANOUT and bits 1 for CPUFANOUT.

	<b>SYSFANOUT</b>	<b>CPUFANOUT</b>
<b>Output Type Select</b>	Bank0, index04 bit0  0: PWM output 1: DC output (default)	Bank0, index04 bit1  0: PWM output (default) 1: DC output
<b>Output Type Select (in PWM output)</b>	CR24 bit4  0: open-drain (default) 1: push-pull	CR24 bit3  0: open-drain (default) 1: push-pull
<b>PWM Output Frequency</b>	Bank0, Index00	Bank0, Index02
<b>Fan Control Mode</b>	Bank1,	Bank2,

<b>Select</b>		index02, bit[7:4] 0h: Manual mode (def.) 1h: Thermal Cruise 2h: Speed Cruise 4h: SMART FAN IV	index02, bit[7:4] 0h: Manual mode(def.) 1h: Thermal Cruise 2h: Speed Cruise 4h: SMART FAN IV
<b>Output Value (write)</b>	<b>PWM output (Duty)</b>	Bank1, index09 bit[7:0]	Bank2, index09 bit[7:0]
	<b>DC output (Voltage)</b>	Bank1, index09 bit[7:2]	Bank2, index09 bit[7:2]
<b>Current Output Value (read)</b>		Bank0, index01	Bank0, index03

For PWM, the duty cycle is programmed by eight-bit registers at Bank1 Index 09h for SYSFANOUT and Bank2 Index 09h for CPUFANOUT. The duty cycle can be calculated using the following equation:

$$\text{Duty cycle(\%)} = \frac{\text{Programmed 8-bit Register Value}}{255} \times 100\%$$

The default duty cycle is FFh, or 100%. The PWM clock frequency is programmed at Bank0 Index 00h, Index 02h, and Index 10h.

For DC, the NCT5577D has a six bit digital-to-analog converter (DAC) that produces 0 to 2.048 Volts DC. The analog output is programmed at Bank1 Index 09h bit[7:2] for SYSFANOUT and Bank2 Index 09h bit[7:2] for CPUFANOUT. The analog output can be calculated using the following equation:

$$\text{OUTPUT Voltage (V)} = V_{ref} \times \frac{\text{Programmed 6-bit Register Value}}{64}$$

The default value is 111111YY, or nearly 2.048 V, and Y is a reserved bit.

### 8.7.5 SMART FAN™ Control

The NCT5577D supports various different fan control features:

- ◆ SMART FAN™ I (Thermal Cruise & Speed Cruise)
- ◆ SMART FAN™ IV
- ◆ Close-Loop Fan Control RPM mode

	<b>SYSFANOUT</b>	<b>CPUFANOUT</b>
<b>Fan Control Mode Select</b>	Bank1, index02, bit[7:4] 0h: Manual mode (def.) 1h: Thermal Cruise 2h: Speed Cruise 4h: SMART FAN IV	Bank2, index02, bit[7:4] 0h: Manual mode(def.) 1h: Thermal Cruise 2h: Speed Cruise 4h: SMART FAN IV

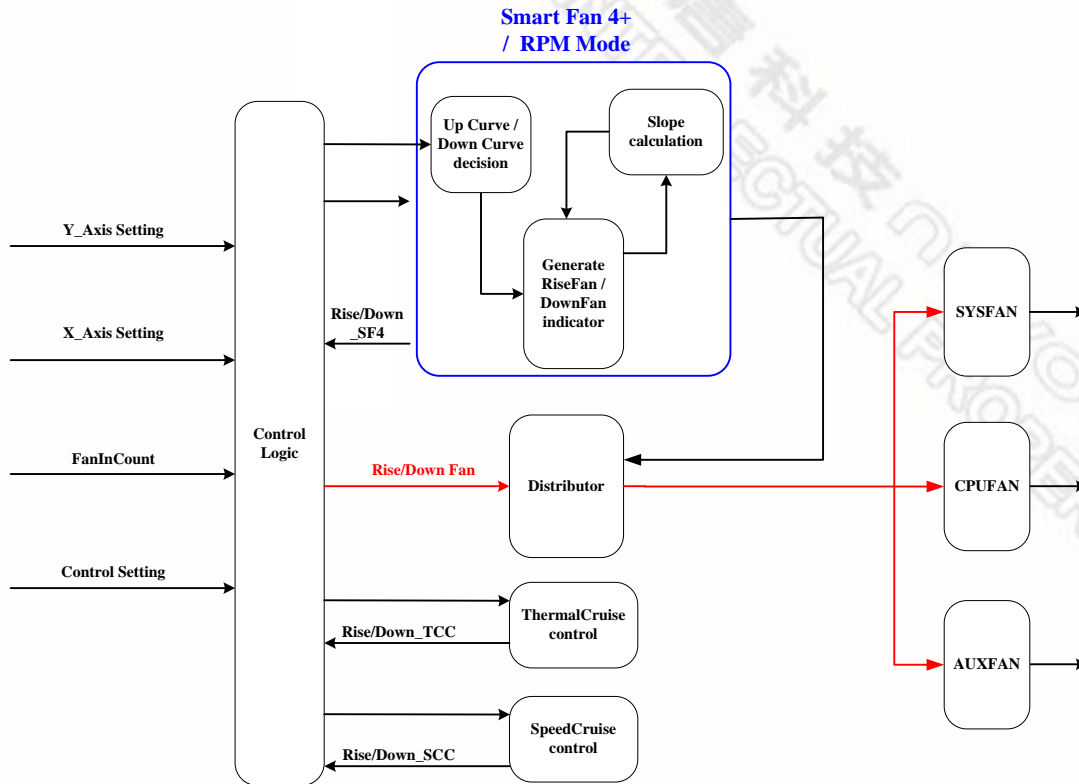
### 8.7.6 Temperature Source & Reading for Fan Control

Select temperature source for each fan control output:

	<b>SYSFANOUT</b>	<b>CPUFANOUT</b>
--	------------------	------------------

<b>Fan Control Temperature Source Select</b>	Bank1, index00 bit[4:0] Default: SYSTIN	Bank2, index00 bit[4:0] Default: CPUTIN
<b>Fan Control Temperature Reading</b>	Bank0, index73 & Bank0, index74 bit7	Bank0, index75 & Bank0, index76 bit7

Note. If the temperature source is selecting to PECL, please set Bank0 Index AEh first for reading correct value.



SMART FAN™ Function Block Diagram

## 8.8 SMART FAN™ I

### 8.8.1 Thermal Cruise Mode

Thermal Cruise mode controls the fan speed to keep the temperature in a specified range. First, this range is defined in BIOS by a temperature and the interval (e.g., 55 °C ± 3 °C). As long as the current temperature remains below the low end of this range (i.e., 52 °C), the fan is off. Once the temperature exceeds the low end, the fan turns on at a speed defined in BIOS (e.g., 20% output). Thermal Cruise mode then controls the fan output according to the current temperature. Three conditions may occur:

- (1) If the temperature still exceeds the high end, fan output increases slowly. If the fan is operating at full speed but the temperature still exceeds the high end, a warning message is issued to protect the system.
- (2) If the temperature falls below the high end (e.g., 58°C) but remains above the low end (e.g., 52 °C), fan output remains the same.
- (3) If the temperature falls below the low end (e.g., 52 °C), fan output decreases slowly to zero or to a specified “stop value”. This “stop value” is enabled by the Bank1, Index00h, Bit7 for SYSFANOUT and Bank2, Index00h, Bit7 for CPUFANOUT. The stop value itself is separately specified in Bank1 Index05h and Bank2 Index05h. The fan remains at the stop value for the period of time also separately defined in Bank1 Index07h and Bank2 Index07h.

In general, Thermal Cruise mode means

- If the current temperature is higher than the high end, increase the fan speed.
- If the current temperature is lower than the low end, decrease the fan speed.
- Otherwise, keep the fan speed the same.

The following figures illustrate two examples of Thermal Cruise mode.

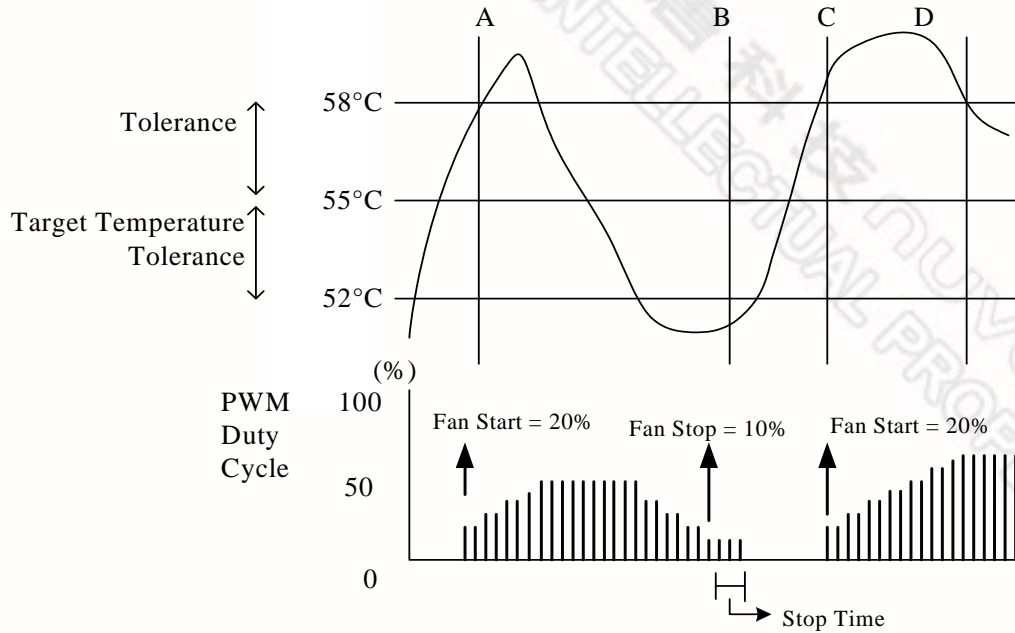


Figure 8-10 Mechanism of Thermal Cruise™ Mode (PWM Duty Cycle)

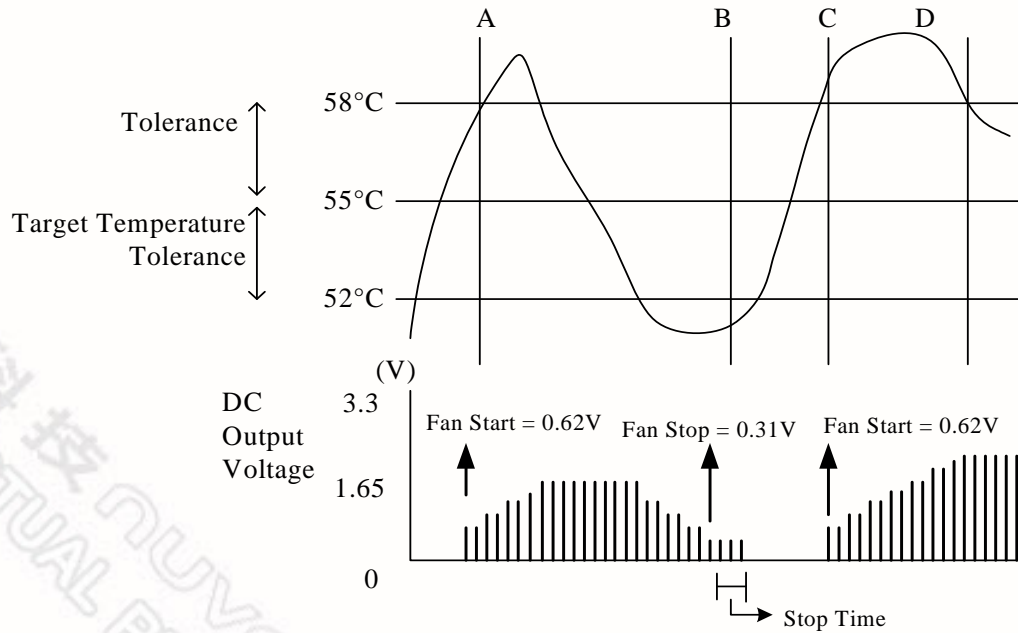


Figure 8-11 Mechanism of Thermal Cruise™ Mode (DC Output Voltage)

### 8.8.2 Speed Cruise Mode

Speed Cruise mode keeps the fan speed in a specified range. First, this range is defined in BIOS by a fan speed count (the amount of time between clock input signals, not the number of clock input signals in a period of time) and an interval (e.g.,  $160 \pm 10$ ). As long as the fan speed count is in the specified range, fan output remains the same. If the fan speed count is higher than the high end (e.g., 170), fan output increases to make the count lower. If the fan speed count is lower than the low end (e.g., 150), fan output decreases to make the count higher. One example is illustrated in this figure.

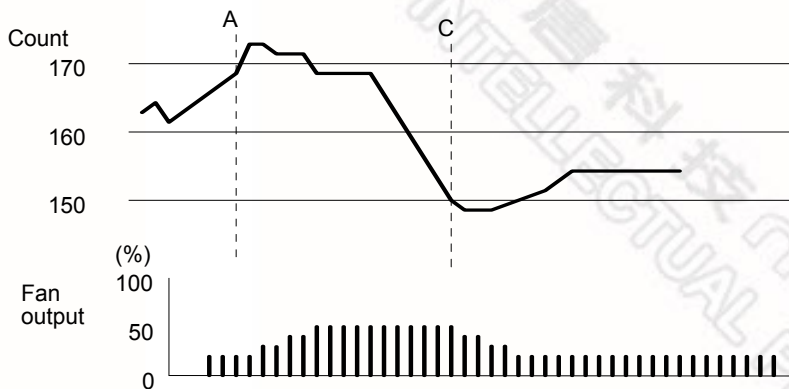


Figure 8-12 Mechanism of Fan Speed Cruise™ Mode

The following tables show current temperatures, fan output values and the relative control registers at Thermal Cruise and Fan Speed mode.

Table 8-2 Display Registers – at SMART FAN™ I Mode

DESCRIPTION	REGISTER ADDRESS	REGISTER NAME	ATTRIBUTE	BIT DATA
Current SYSFANOUT Temperature	Bank0, index73h, index74h bit7	SYSFAN MUX Temperature Sensor (default: SYSTIN)	Read only	Index 73h, unit 1°C Index 74h, bit 7, unit 0.5 °C
Current CPUFANOUT Temperature	Bank0, index75h, index76h bit7	CPUFAN MUX Temperature Sensor (default: CPUTIN)	Read only	Index 75h, unit 1°C Index 76h, bit 7, unit 0.5 °C
Current SYSFANOUT Output Value	Bank0, index 01h	SYSFANOUT Output Value Select	Read only	
Current CPUFANOUT Output Value	Bank0, index 03h	CPUFANOUT Output Value Select	Read only	

Table 8-3 Relative Registers – at Thermal Cruise™ Mode

THERMAL CRUISE MODE	TARGET TEMPERATURE	TOLERANCE	START-UP VALUE	STOP VALUE	KEEP MIN. FAN OUTPUT VALUE	STOP TIME	STEP- UP TIME	STEP-DOWN TIME

THERMAL CRUISE MODE	TARGET TEMPERATURE	TOLERANCE	START-UP VALUE	STOP VALUE	KEEP MIN. FAN OUTPUT VALUE	STOP TIME	STEP-UP TIME	STEP-DOWN TIME
SYSFANOUT	Bank 1, index 01h bit[7:0]	Bank 1, index 02h Bit[2:0]	Bank 1, index 06h	Bank 1, index 05h	Bank 1, Index 00h, bit7	Bank 1, index 07h	Bank 1, index 03h	Bank 1, index 04h
CPUFANOUT	Bank 2, index 01h bit[7:0]	Bank 2, index 02h Bit[2:0]	Bank 2, index 06h	Bank 2, index 05h	Bank 2, Index 00h, bit7	Bank 2, index 07h	Bank 2, index 03h	Bank 2, index 04h
THERMAL CRUISE MODE	CRITICAL TEMPERATURE	ENABLE THERMAL CRUISE MODE						
SYSFANOUT	Bank 1, index 35h	Bank 1, Index 02h, bit[7:4] = 01h						
CPUFANOUT	Bank 2, Index 35h	Bank 2, Index 02h, bit[7:4] = 01h						

Table 8-4 Relative Registers – at Speed Cruise™ Mode

SPEED CRUISE MODE	TARGET-SPEED COUNT_L	TARGET-SPEED COUNT_H	TOLERANCE_L	TOLERANCE2_H	STEP-UP TIME	STEP-DOWN TIME	ENABLE SPEED CRUISE MODE
SYSFANOUT	Bank 1, Index 01h	Bank 1, Index 0C bit[3:0]	Bank 1, Index 02 bit[2:0]	Bank 1, Index 0C bit[6:4]	Bank 1, Index 03h	Bank 1, Index 04h	Bank 1, Index 02h bit[7:4] = 02h
CPUFANOUT	Bank 2, Index 01h	Bank 2, Index 0C bit[3:0]	Bank 2, Index 02 bit[2:0]	Bank 2, Index 0C bit[6:4]	Bank 2, Index 03h	Bank 2, Index 04h	Bank 2, Index 02h bit[7:4] = 02h

### 8.9 SMART FAN™ IV & Close Loop Fan Control Mode

SMART FAN™ IV and Close Loop Fan Control Mode offer 4 slopes to control the fan speed. There are two fan outputs in these modes.

- Set **Critical Temperature, Bank1 Index 35<sub>HEX</sub>, Bank2 Index 35<sub>HEX</sub>.**
- Set the **Relative Register-at SMART FAN™ IV Control Mode Table**

If fan control mode is set as Close Loop Fan Control, the unit step is 50RPM. So the maximum controllable RPM is 50\*255=12,750RPM.

Set Tolerance of Target Temperature, Bank1 Index 02<sub>HEX</sub> bit[2:0]. Bank2 Index 02<sub>HEX</sub> bit[2:0].

The 3 slopes can be obtained by setting FanDuty/RPM1~FanDuty/RPM4 and T1~T4 through the registers. When the temperature rises, FAN Output will calculate the target FanDuty/RPM based on the current slope. For example, assuming Tx is the current temperature and Ty is the target, then

The slope:



$$X2 = \frac{(FanDuty3 / RPM3) - (FanDuty2 / RPM2)}{(T3 - T2)}$$

Fan Output:

$$Target\ FanDuty\ or\ RPM = (FanDuty2\ or\ RPM2) + (Tx - T2) \cdot X2$$

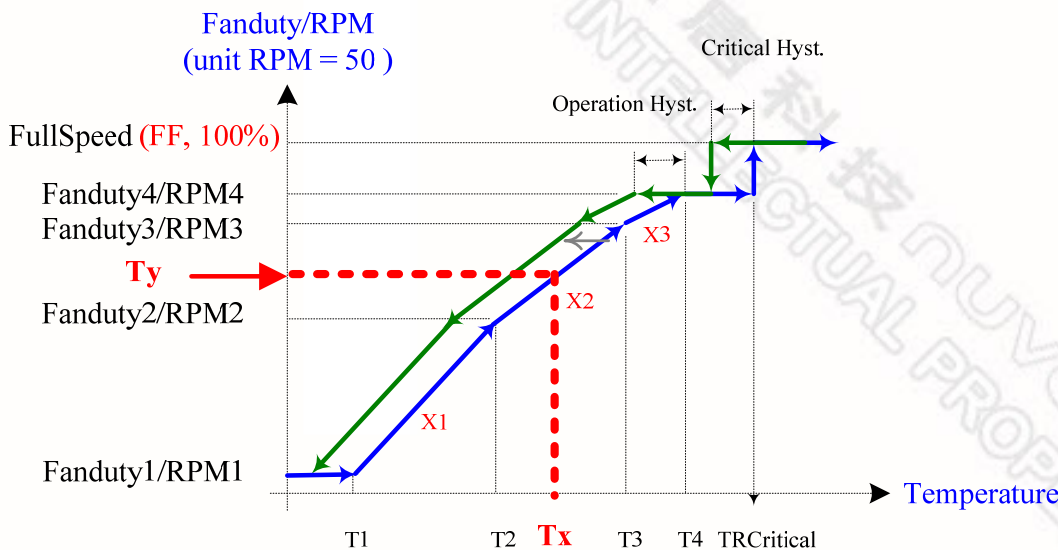


Figure 8-13 SMART FAN™ IV & Close Loop Fan Control Mechanism

Table 8-5 Relative Register-at SMART FAN™ IV Control Mode

DESCRIPTION	T1	T2	T3	T4
SYSFANOUT	Bank 1, Index 21h	Bank 1, Index 22h	Bank 1, Index 23h	Bank 1, Index 24h
CPUFANOUT	Bank 2, Index 21h	Bank 2, Index 22h	Bank 2, Index 23h	Bank 2, Index 24h
DESCRIPTION	DC/PWM1	DC/PWM2	DC/PWM3	DC/PWM4
SYSFANOUT	Bank 1, Index 27h	Bank 1, Index 28h	Bank 1, Index 29h	Bank 1, Index 2Ah
CPUFANOUT	Bank 2, Index 27h	Bank 2, Index 28h	Bank 2, Index 29h	Bank 2, Index 2Ah

DESCRIPTION	CRITICAL TEMPERATURE	Critical Tolerance	Monitored temperature tolerance	ENABLE SMART FAN IV
SYSFANOUT	Bank 1, Index 35h	Bank 1, Index 38h, bit[2:0]	Bank1, Index 02h, bit[2:0]	Bank 1, Index 02h bit[7:4] = 04h
CPUFANOUT	Bank 2, Index 35h	Bank 2, Index 38h, bit[2:0]	Bank2, Index 02h, bit[2:0]	Bank 2, Index 02h bit[7:4] = 04h

DESCRIPTION	ENABLE KEEP MIN	STEP-UP TIME	STEP-DOWN TIME	STOP VALUE	START-UP VALUE	STOP TIME	FANOUT STEP
SYSFANOUT	Bank 1, Index 00h, bit7	Bank 1, index 03h	Bank 1, index 04h	Bank 1, index 05h	Bank 1, index 06h	Bank 1, index 07h	Bank 1, Index 20h, Bit0
CPUFANOUT	Bank 2, Index 00h, bit7	Bank 2, index 03h	Bank 2, index 04h	Bank 2, index 05h	Bank 2, index 06h	Bank 2, index 07h	Bank 2, Index 20h, Bit0

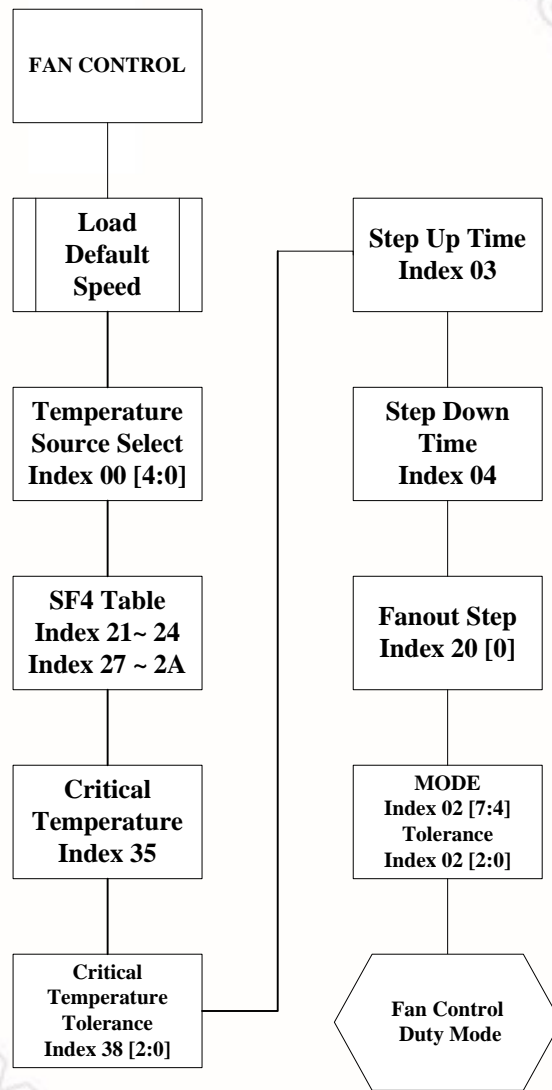


Figure 8-14 Fan Control Duty Mode Programming Flow

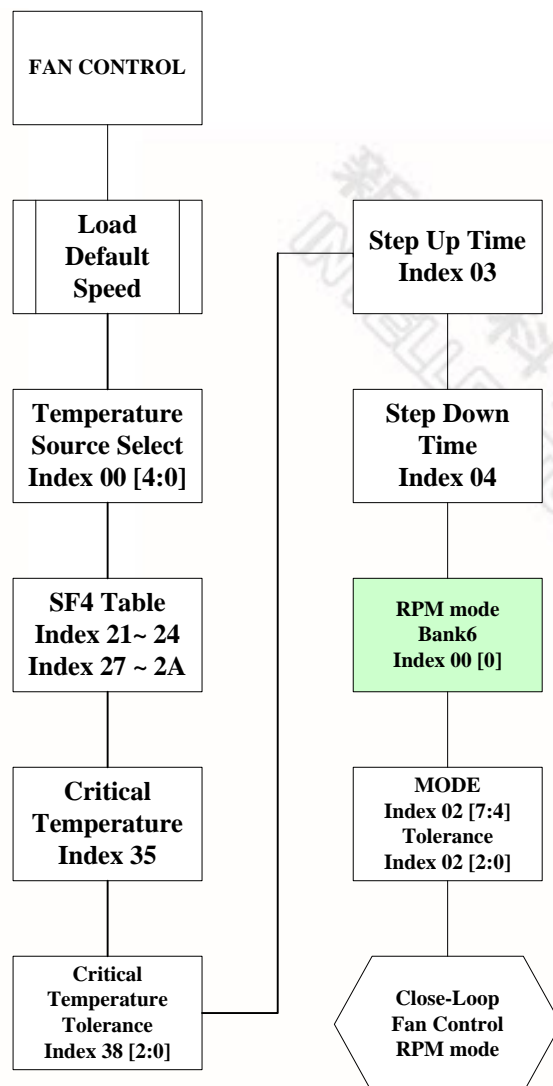


Figure 8-15 Close-Loop Fan Control RPM mode Programming Flow

### 8.9.1 Step Up Time / Step Down Time

SMART FAN™ IV is designed for the smooth operation of the fan. The Up Time / Down Time register defines the time interval between successive duty increases or decreases. If this value is set too small, the fan will not have enough time to speed up after tuning the duty and sometimes may result in unstable fan speed. On the other hand, if Up Time / Down Time is set too large, the fan may not work fast enough to dissipate the heat. This register should never be set to 0, otherwise, the fan duty will be abnormal.

### 8.9.2 Fan Output Start-up Value

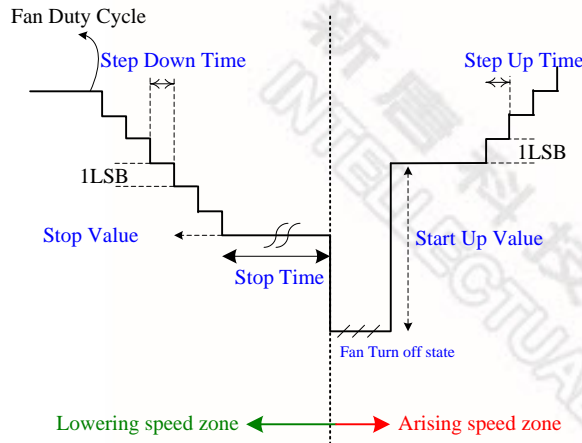
From still to rotate, the fan usually needs a higher fan output value to generate enough torque to conquer the restriction force. Thus the Fan Output Start-up Value is used to turn on the fan with the specified output value.

### 8.9.3 Fan Output Stop Value

It takes some time to bring a fan from still to working state. Therefore, Stop value are designed with a minimum fan output to keep the fan working when the system does not require the fan to help reduce heat but still want to keep the fast response time to speed up the fan.

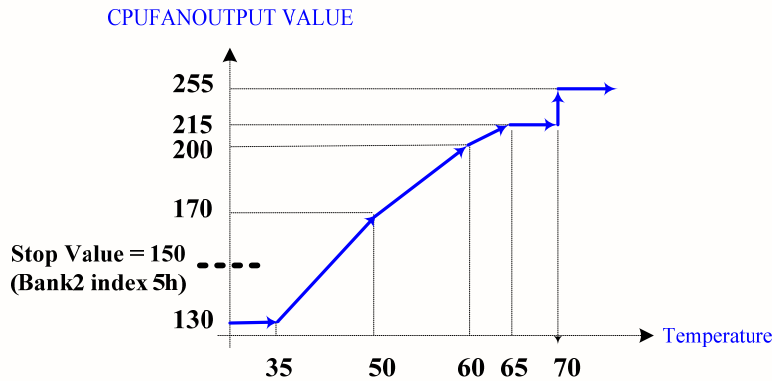
### 8.9.4 Fan Output Stop Time

A time interval is specified to turn off the fan if SmartFan continuously requests to slow down the fan which has already reached the Stop time.



Smart Fan Control Parameters Figure

### 8.9.5 Fan Output Step



FANOUT STEP (Bank2 Index 20h bit0)	[High]																																																									
Temperature	50	55	60	61			62	50	35	44																																																
CPUFANOUTPUT VALUE (Bank0 Index 3h)	170	185	200	201	202	203	204	205	206	207	208	209	210	211	212	213	214	215	216	217	218	219	220	221	222	223	224	225	226	227	228	229	230	231	232	233	234	235	236	237	238	239	240	241	242	243	244	245	246	247	248	249	250	251	252	253	254	255
Target Duty	170	185	200	203			206			170	130	153																																														
Step Up/Down Time (Bank2 Index 3,4h)	T = 1 sec			T = 0.5 sec																																																						

### 8.9.6 Revolution Pulse Selection

The NCT5577D supports four RPM output of the pulses selection function for different type of FAN which has the character of different pulses per revolution. The others could be set by HM register at Bank6, Index44, Bit1-0 for SYSFANIN and Bank6, Index45, Bit1-0 for CPUFANIN and. All default value of pulse selection registers are 2 pulses of one revolution.

Setting description for “Pulse Selections Bits”:

- 00:** 4 pulses per revolution
- 01:** 1 pulse per revolution
- 10:** 2 pulses per revolution (default)
- 11:** 3 pulses per revolution

### 8.9.7 Weight Value Control

The NCT5577D supports weight value control for fan duty output. By register configuration, the results of weight value circuit can be added to the fan duty of SMART FAN™ I or IV and output to the fan. Take CPUFANOUT for example, if SMART FAN™ IV is selected, CPUTIN is the temperature source, and weight value control is enabled, SMART FAN™ IV will calculate the output duty, and weight value circuit will calculate the corresponding weight value based on SYSTIN. As the SYSTIN temperature rises, its corresponding weight value increases. Then, the two values will be summed up and output to CPU fan. In other words, the CPU fan duty is affected not only by the CPUTIN but also the SYSTIN temperature.

Figure 8-16 SYS TEMP and Weight Value Relations shows the relation between the SYSTIN temperature and the weight value. Tolerance setup is offered on each change point to avoid weight value fluctuation resulted from SYSTIN temperature change. The weight value will increase by one weight value step only when the SYSTIN temperature is higher than the point value plus tolerance. Likewise, the weight value decreases by one weight value step only when the SYSTIN temperature is lower than the point value minus tolerance.

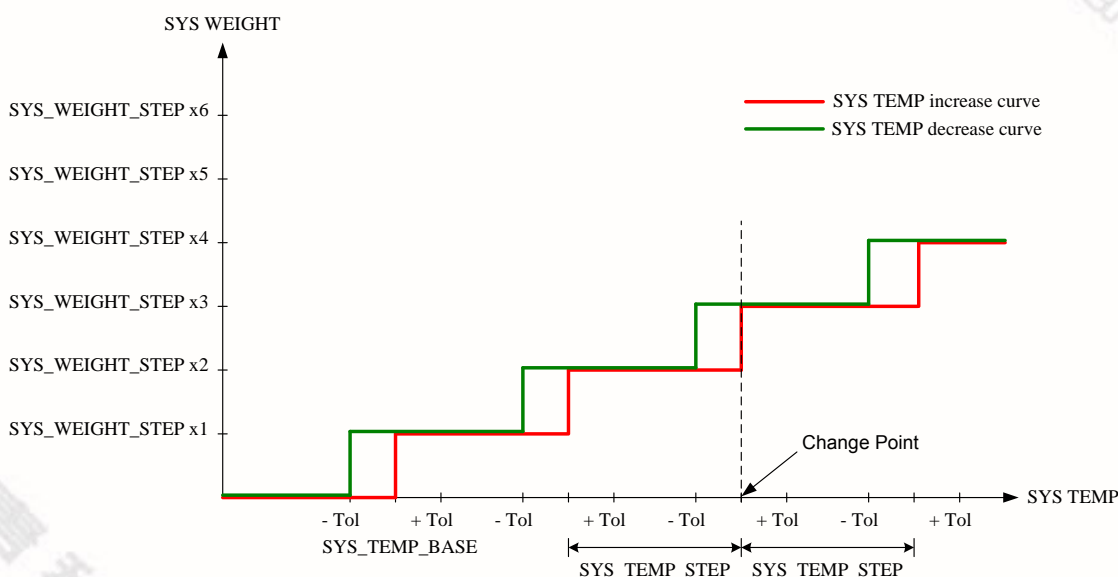


Figure 8-16 SYS TEMP and Weight Value Relations

Table 8-6 Relative Register-at Weight Value Control

DESCRIPTION	TEMP_BASE	FC_BASE	TEMP_STEP	TEMP_STEP_TOL	WEIGHT_STEP
SYSFANOUT	Bank 1, Index 3Dh	Bank 1, Index 3Eh	Bank 1, Index 3Ah	Bank 1, Index 3Bh	Bank 1, Index 3Ch

DESCRIPTION	TEMP_BASE	FC_BASE	TEMP_STEP	TEMP_STEP_TOL	WEIGHT_STEP
CPUFANOUT	Bank 2, Index 3Dh	Bank 2, Index 3Eh	Bank 2, Index 3Ah	Bank 2, Index 3Bh	Bank 2, Index 3Ch

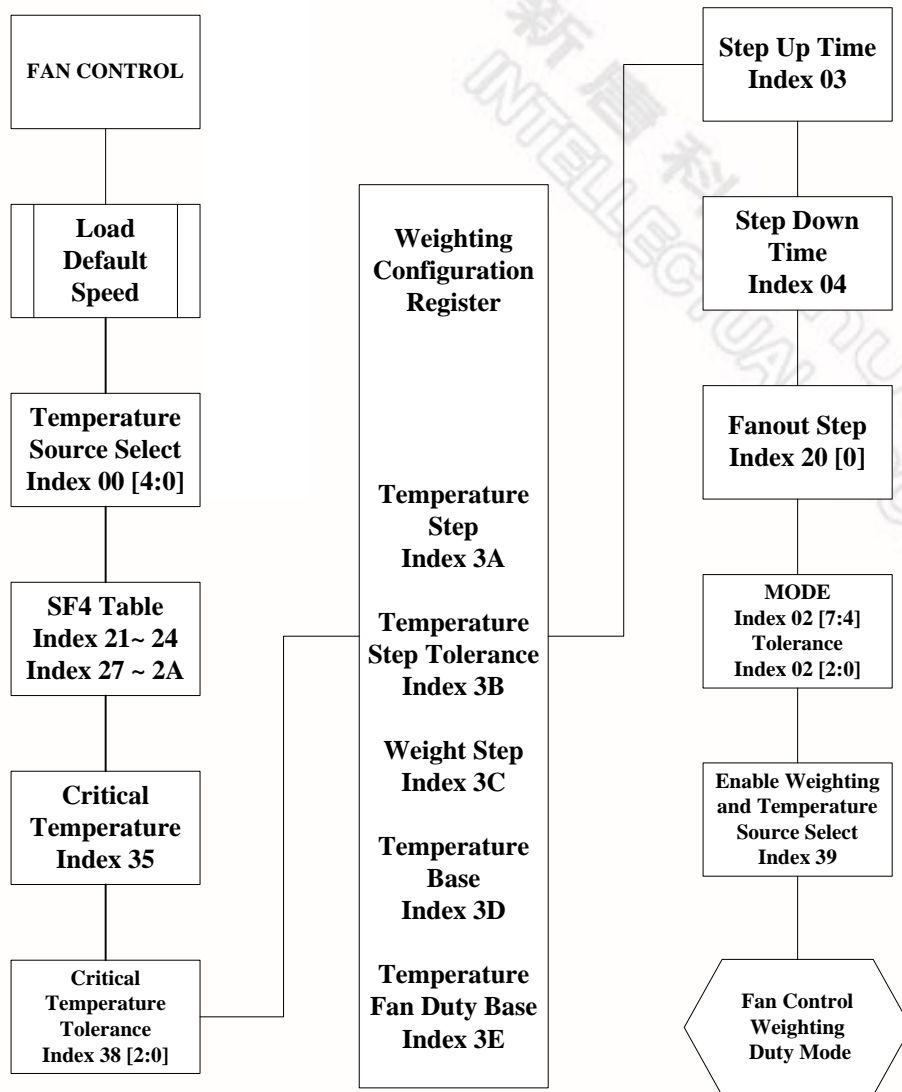


Figure 8-17 Fan Control Weighting Duty Mode Programming Flow

### 8.10 Alert and Interrupt

NCT5577D supports 6 Temperature Sensors for interrupt detection depending on selective monitor temperature source.

	SMIOVT1	SMIOVT2	SMIOVT3	SMIOVT4	SMIOVT5	SMIOVT6
Temperature source select	Bank6, index21 bit[4:0]	Bank6, index22 bit[4:0]	Bank6, index23 bit[4:0]	Bank6, index24 bit[4:0]	Bank6, index25 bit[4:0]	Bank6, index26 bit[4:0]

	default: SYSTIN	default: CPUTIN	default: AUXTIN	default: SYSTIN	default: SYSTIN	default: SYSTIN
<b>Temperature reading (2's complement)</b>	Bank0, index27	Bank1, index50 & index51 bit7	Bank2, index50 & index51 bit7	Bank6, index2B & index2E bit0	Bank6, index2C & index2E bit1	Bank6, index2D & index2E bit2
<b>Temperature High Limit</b>	Bank0, index39	Bank1, index55 & index56 bit7	Bank2, index55 & index56 bit7	Bank6, index72 & index74 bit7	Bank6, index77 & index79 bit7	Bank6, index7C & index7E bit7
<b>Temperature Low Limit</b>	Bank0, index3A	Bank1, index53 & index54 bit7	Bank2, index53 & index54 bit7	Bank6, index73 & index74 bit0	Bank6, index78 & index79 bit0	Bank6, index7D & index7E bit0

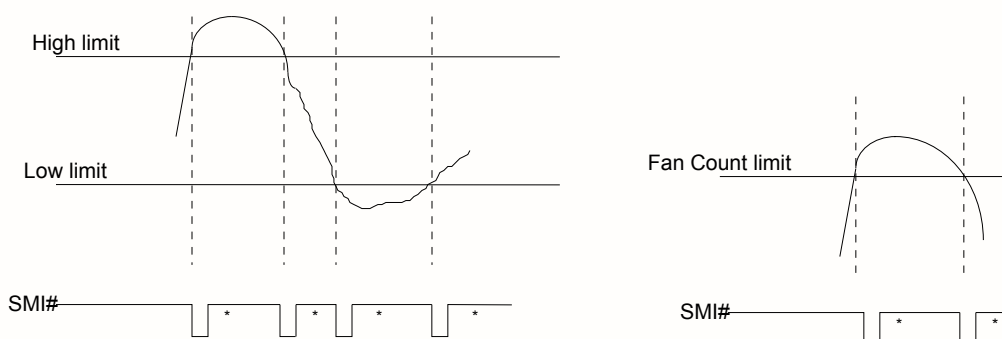
SMIOVT Relative Temperature Registers

### 8.10.1 SMI# Interrupt Mode

The SMI# function of NCT5577D could be through some GPIO pins. In HM\_SMI# mode, it can monitor voltages, fan counts, or temperatures.

### 8.10.2 Voltage SMI# Mode

The SMI# pin can create an interrupt if a voltage exceeds a specified high limit or falls below a specified low limit. This interrupt must be reset by reading all the interrupt status registers, or subsequent events do not generate interrupts. This mode is illustrated in the following figure.



\*Interrupt Reset when Interrupt Status Registers are read

Figure 8-18 SMI Mode of Voltage and Fan Inputs

### 8.10.3 Fan SMI# Mode

The SMI# pin can create an interrupt if a fan count crosses a specified fan limit (rises above it or falls below it). This interrupt must be reset by reading all the interrupt status registers, or subsequent events do not generate interrupts. This mode is illustrated in the figure above.

### 8.10.4 Temperature SMI# Mode

The SMI# pin can create interrupts that depend on the temperatures measured by CPUTIN, and AUXTIN.

#### 8.10.4.1 Temperature Sensor 1 SMI# Interrupt (Default: SYSTIN)

The SMI# pin has four interrupt modes with Temperature Sensor 1.

**(1) Shut-down Interrupt Mode**

This mode is enabled by setting Bank0 Index 40h, bit 4 to one.

In this mode, the SMI# pin can create an interrupt when the current temperature rises above  $T_{OL}$  or Shut-down mode high limit temperature, and when the current temperature falls below  $T_{HYST}$  or Shut-down mode low limit temperature. Once the temperature rises above  $T_{OL}$ , however, and generates an interrupt, this mode does not generate additional interrupts, even if the temperature remains above  $T_{OL}$ , until the temperature falls below  $T_{HYST}$ . This interrupt must be reset by reading all the interrupt status registers, or subsequent events do not generate interrupts, except the first time current temperature rises above Shut-down mode high limit temperature. This is illustrated in the following figure.

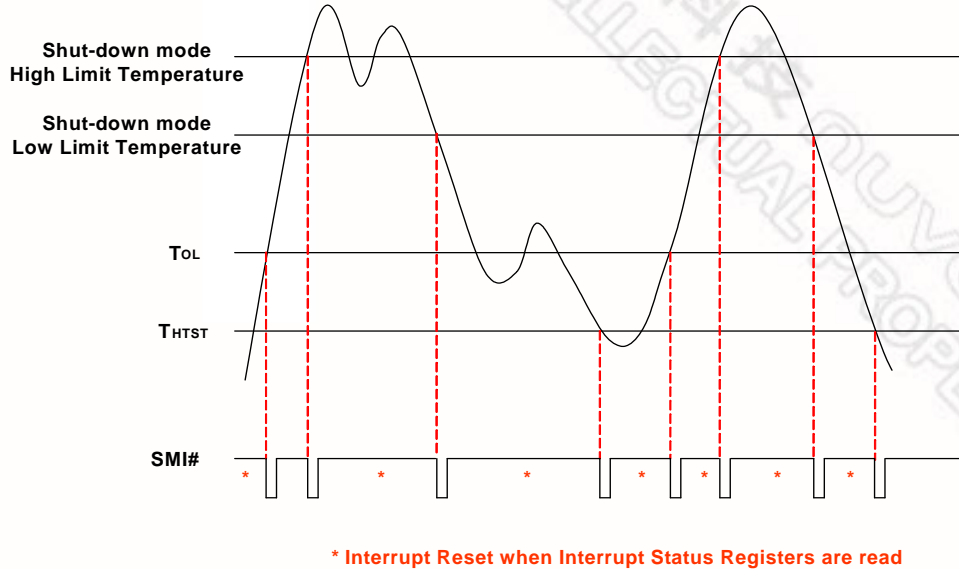
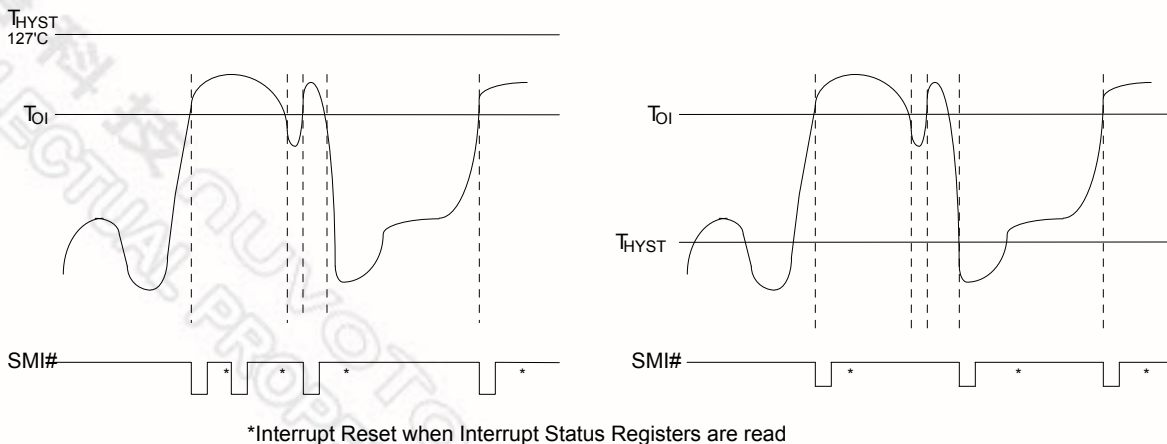


Figure 8-19 Shut-down Interrupt Mode

**(2) Comparator Interrupt Mode**

This mode is enabled by setting  $T_{HYST}$  (Temperature Hysteresis) to 127°C. This mode is enabled by setting Bank0 Index 40h, bit 4 to 0.

In this mode, the SMI# pin can create an interrupt as long as the current temperature exceeds  $T_O$  (Over Temperature). This interrupt can be reset by reading all the interrupt status registers, or subsequent events do not generate interrupts. If the interrupt is reset, the SMI# pin continues to create interrupts until the temperature goes below  $T_O$ . This is illustrated in the figure below.





Comparator Interrupt Mode

Two-Times Interrupt Mode

Figure 8-20 SMI Mode of SYSTIN I

**(3) Two-Times Interrupt Mode**

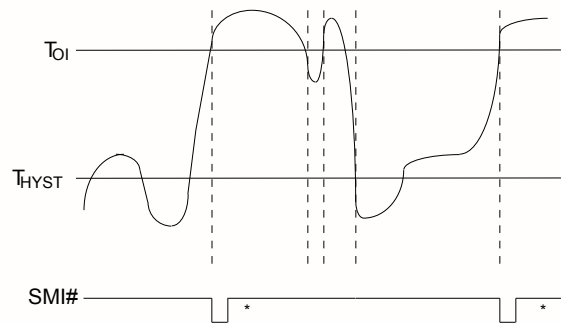
This mode is enabled by setting  $T_{HYST}$  (Temperature Hysteresis) lower than  $T_O$  and setting Bank0 Index 4Ch, bit 5 to zero. This mode is enabled by setting Bank0 Index 40h, bit 4 to 0.

In this mode, the SMI# pin can create an interrupt when the current temperature rises above  $T_O$  or when the current temperature falls below  $T_{HYST}$ . Once the temperature rises above  $T_O$ , however, and generates an interrupt, this mode does not generate additional interrupts, even if the temperature remains above  $T_O$ , until the temperature falls below  $T_{HYST}$ . This interrupt must be reset by reading all the interrupt status registers, or subsequent events do not generate interrupts. This is illustrated in the figure above.

**(4) One-Time Interrupt Mode**

This mode is enabled by setting  $T_{HYST}$  (Temperature Hysteresis) lower than  $T_O$  and setting Bank0 Index 4Ch, bit 5 to one. This mode is enabled by setting Bank0 Index 40h, bit 4 to 0.

In this mode, the SMI# pin can create an interrupt when the current temperature rises above  $T_O$ . Once the temperature rises above  $T_O$ , however, and generates an interrupt, this mode does not generate additional interrupts, even if the temperature remains above  $T_O$ , until the temperature falls below  $T_{HYST}$ . This interrupt must be reset by reading all the interrupt status registers, or subsequent events do not generate interrupts. This is illustrated in the following figure.



\*Interrupt Reset when Interrupt Status Registers are read

One-Time Interrupt Mode

Figure 8-21 SMI Mode of SYSTIN II

**8.10.4.2. SMI# Interrupt of Temperature Sensor 2 (Default: CPUTIN) and Temperature Sensor 3 (Default: AUXTIN) and Temperature Sensor 4 (Default: SYSTIN) and Temperature Sensor 5 (Default: SYSTIN) and Temperature Sensor 6 (Default: SYSTIN).**

The SMI# pin has 3 interrupt modes with Temperature Sensor 2~6.

**(1) Shut-down Interrupt Mode**

This mode is enabled by Bank0 Index 40h, bit5 to one for Temperature Sensor 2; Bank0 Index 40h, bit6 to one for Temperature Sensor 3; Bank6 Index 74h, bit1 to one for Temperature Sensor 4; Bank6 Index 79h, bit1 to one for Temperature Sensor 5 and Bank6 Index 7Eh, bit1 to one for Temperature Sensor 6.

In this mode, the SMI# pin can create an interrupt when the current temperature rises above  $T_{OL}$  or Shut-down mode high limit temperature, and when the current temperature falls below  $T_{HYST}$  or Shut-down mode low limit temperature. Once the temperature rises above  $T_{OL}$ , however, and generates an interrupt, this mode does not generate additional interrupts, even if the temperature remains above  $T_{OL}$ , until the temperature falls below  $T_{HYST}$ . This interrupt must be reset by reading all the interrupt status registers, or subsequent events do not generate interrupts, except the first time current temperature rises above Shut-down mode high limit temperature. This is illustrated in the following figure.

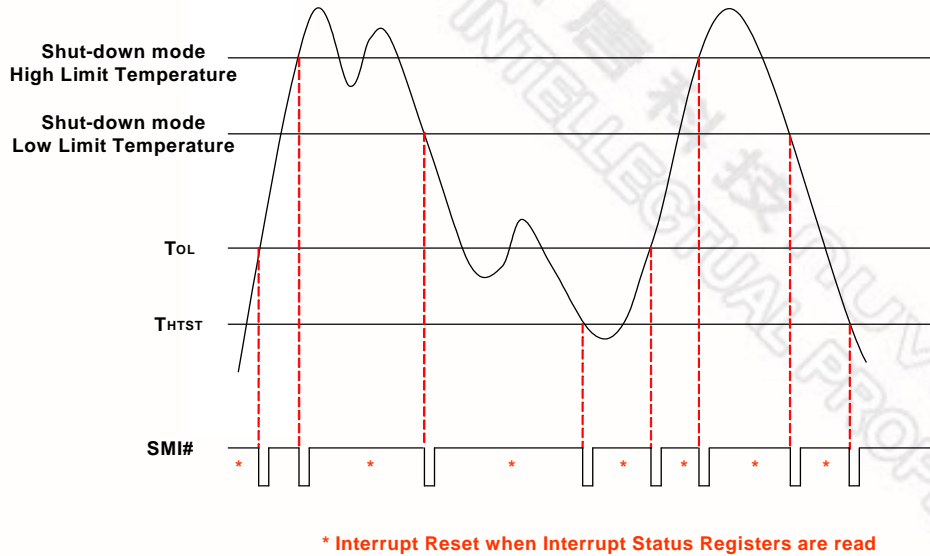


Figure 8-22 Shut-down Interrupt Mode

**(2) Comparator Interrupt Mode**

This mode is enabled by setting Bank0 Index 4Ch, bit 6, to one.

In this mode, the SMI# pin can create an interrupt when the current temperature exceeds  $T_O$  (Over Temperature) and continues to create interrupts until the temperature falls below  $T_{HYST}$ . This interrupt can be reset by reading all the interrupt status registers, or subsequent events do not generate interrupts. This is illustrated in the figure below.

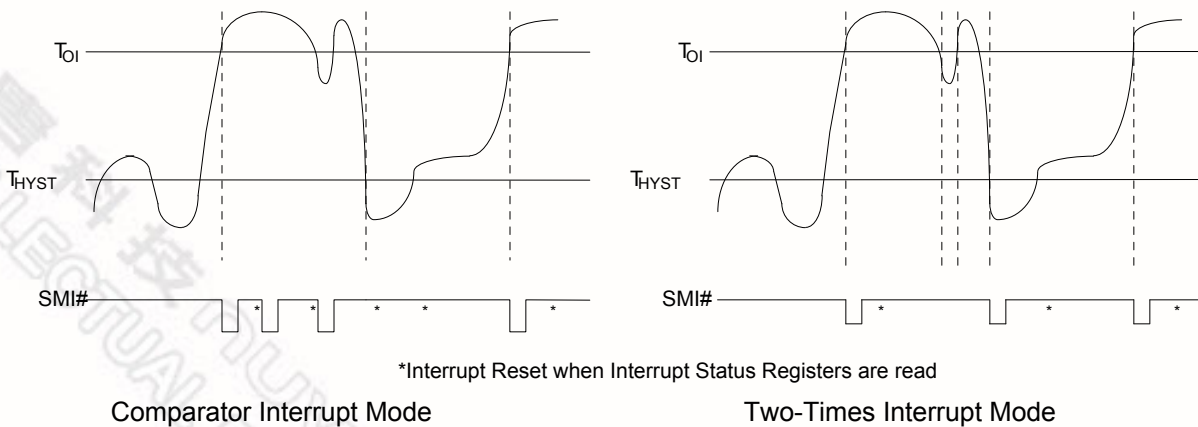


Figure 8-23 SMI Mode of CPUTIN

**(3) Two-Times Interrupt Mode**

This mode is enabled by setting Bank0 Index 4Ch, bit 6, to zero.

In this mode, the SMI# pin can create an interrupt when the current temperature rises above  $T_O$  or when the current temperature falls below  $T_{HYST}$ . Once the temperature rises above  $T_O$ , however, and generates an interrupt, this mode does not generate additional interrupts, even if the temperature remains above  $T_O$ , until the temperature falls below  $T_{HYST}$ . This interrupt must be reset by reading all the interrupt status registers, or subsequent events do not generate interrupts. This is illustrated in the figure above.

Table 8-7 Relative Register of SMI functions

	SHUTDOWN MODE	COMPARATOR MODE	TWO-TIME INTERRUPT MODE	ONE-TIME INTERRUPT MODE
SMIOVT1	Bank0,Index40_Bit4 (EN_WS=1) Bank0,Index43_Bit4(TIN=0) Bank0,Index46_Bit3 (Shut = 0)	Bank0,Index43_Bit4 (TIN=0) Bank0,Index3A (Thyst = 8'h7F)	Bank0,Index43_Bit4 (TIN=0) Bank0,Index4C_Bit5 (EN_T1_One = 0)	Bank0,Index43_Bit4 Bank0,Index4C_Bit5
SMIOVT2	Bank0,Index40_Bit5 (EN_WS=1) Bank0,Index43_Bit5(TIN=0) Bank0,Index46_Bit 4 (Shut = 0)	Bank0,Index43_Bit5 (TIN=0) Bank0,Index4C_Bit6 (T2T3_INT=1)	Bank0,Index43_Bit5(TIN=0) Bank0,Index4C_Bit6 (T2T3_INT=0)	
SMIOVT3	Bank0,Indx40_Bit6 (EN_WS=1) Bank0,Indx44_Bit5(TIN=0) Bank0,Index46_Bit 5 (Shut = 0)	Bank0,Indx44_Bit5 (TIN=0) Bank0,Indx4C_Bit6 (T2T3_INT=1)	Bank0,Index44_Bit5(TIN=0) Bank0,Indx4C_Bit6 (T2T3_INT = 0)	
SMIOVT4	Bank6,Index74_Bit1 (EN_WS=1) Bank4,Indx40_Bit0(TIN=0) Bank4,Inex40_Bit 3 (Shut = 0)	Bank4,Index40_Bit0 (TIN=0) Bank0,Index4C_Bit6 (T2T3_INT = 1)	Bank4,Index40_Bit0 (TIN=0) Bank0,Index4C_Bit6 (T2T3_INT = 0)	
SMIOVT5	Bank6,Index79_Bit1 (EN_WS=1) Bank4,Index40_Bit1 (TIN=0) Bank4,Index40_Bit4 (Shut = 0)	Bank4,Index40_Bit1 (TIN=0) Bank0,Index4C_Bit6 (T2T3_INT = 1)	Bank4,Index40_Bit1 (TIN=0) Bank0,Index4C_Bit6 (T2T3_INT = 0)	
SMIOVT6	Bank6,Index7E_Bit1 (EN_WS=1) Bank4,Inex40_Bit2 (TIN=0) Bank4,Index40_Bit5 (Shut = 0)	Bank4,Inex40_Bit2 (TIN=0) Bank0,Index4C_Bit6 (T2T3_INT = 1)	Bank4,Inex40_Bit2 (TIN=0) Bank0,Index4C_Bit6 (T2T3_INT = 0)	

Table 8-8 Relative Register of OVT functions

SMIOVT1	SMIOVT2	SMIOVT3
<p><b>Bank0,Index18_Bit6=0</b> (Enable OVT output)</p> <p><b>Bank0,Index18_Bit4</b> <b>0:</b> Comparator Mode (def.) <b>1:</b> Interrupt Mode</p> <p><b>Bank0,Index18_Bit0</b> <b>0:</b> Start to monitor the source of SMIOVT1 temperature. <b>1:</b> Stop monitoring the source of SMIOVT1 temperature.</p>	<p><b>Bank1, Index52_Bit0</b> <b>0:</b> Start to monitor the source of SMIOVT2 temperature. <b>1:</b> Stop monitoring the source of SMIOVT2 temperature.</p> <p><b>Bank 0, Inedex4C_Bit 3</b> <b>0:</b> Disable SMIOVT2 temperature sensor over temperature output <b>1:</b> Enable SMIOVT2 temperature sensor over temperature output</p> <p><b>Bank 1, Index52_Bit 1</b> <b>0:</b> Comparator Mode <b>1:</b> Interrupt Mode</p> <p><b>Bank 1, Index52_Bit 3~4</b> Number of faults to detect before setting OVT# output.</p>	<p><b>Bank2, Index52_Bit0</b> <b>0:</b> Start to monitor the source of SMIOVT3 temperature. <b>1:</b> Stop monitoring the source of SMIOVT3 temperature.</p> <p><b>Bank 0, Inedex4C_Bit 4</b> <b>0:</b> Disable SMIOVT3 temperature sensor over temperature output <b>1:</b> Enable SMIOVT3 temperature sensor over temperature output</p> <p><b>Bank 2, Index52_Bit 1</b> <b>0:</b> Comparator Mode <b>1:</b> Interrupt Mode</p> <p><b>Bank 2, Index52_Bit3~4</b> Number of faults to detect before setting OVT# output.</p>
SMIOVT4	SMIOVT5	SMIOVT6
<p><b>Bank6, Index28_Bit0</b> <b>0:</b> Start to monitor the source of SMIOVT4 temperature. <b>1:</b> Stop monitoring the source of SMIOVT4 temperature.</p> <p><b>Bank 6, Inedex74_Bit 2</b> <b>0:</b> Disable SMIOVT4 temperature sensor over temperature output <b>1:</b> Enable SMIOVT4 temperature sensor over temperature output</p> <p><b>Bank 6, Index28_Bit 1</b> <b>0:</b> Comparator Mode <b>1:</b> Interrupt Mode</p> <p><b>Bank 6, Index28_Bit3~4</b> Number of faults to detect before setting OVT# output.</p>	<p><b>Bank6, Index29_Bit0</b> <b>0:</b> Start to monitor the source of SMIOVT5 temperature. <b>1:</b> Stop monitoring the source of SMIOVT5 temperature.</p> <p><b>Bank 6, Inedex79_Bit 2</b> <b>0:</b> Disable SMIOVT5 temperature sensor over temperature output <b>1:</b> Enable SMIOVT5 temperature sensor over temperature output</p> <p><b>Bank 6, Index29_Bit 1</b> <b>0:</b> Comparator Mode <b>1:</b> Interrupt Mode</p> <p><b>Bank 6, Index29_Bit3~4</b> Number of faults to detect before setting OVT# output.</p>	<p><b>Bank6, Index2A_Bit0</b> <b>0:</b> Start to monitor the source of SMIOVT6 temperature. <b>1:</b> Stop monitoring the source of SMIOVT6 temperature.</p> <p><b>Bank 6, Inedex7E_Bit 2</b> <b>0:</b> Disable SMIOVT6 temperature sensor over temperature output <b>1:</b> Enable SMIOVT6 temperature sensor over temperature output</p> <p><b>Bank 6, Index2A_Bit 1</b> <b>0:</b> Comparator Mode <b>1:</b> Interrupt Mode</p> <p><b>Bank 6, Index2A_Bit3~4</b> Number of faults to detect before setting OVT# output.</p>

8.10.5 OVT# Interrupt Mode

The SMI#/OVT# pin is a multi-function pin. It can be in SMI# mode or in OVT# mode by setting Configuration Register CR[24h], bit 2 to one or zero, respectively. In OVT# mode, it can monitor temperatures, and OVT pin could be enabled to OVT output by Bank0 Index 18h, bit 6 for Temperature Sensor 1(default: SYSTIN); Bank1 Index 52h, bit 1 for Temperature Sensor 2(default: CPUTIN); Bank2 Index 52h, bit1 for Temperature Sensor 3(default: AUXTIN); Bank6 Index 28h, bit1 for Temperature Sensor 4(default: SYSTIN); Bank6 Index 29h, bit1 for Temperature Sensor 5(default: SYSTIN)and Bank6 Index 2Ah, bit1 for Temperature Sensor 6(default: SYSTIN).

The OVT# pin has two interrupt modes, comparator and interrupt. The modes are illustrated in this figure.

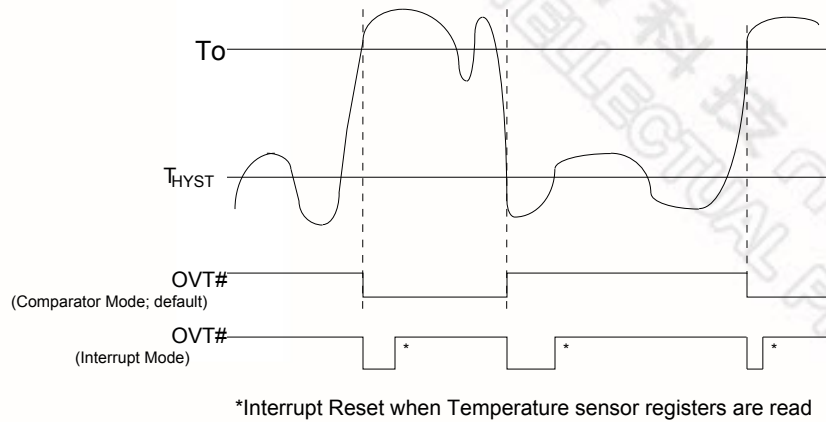


Figure 8-24 OVT# Modes of Temperature Inputs

If Bank0 Index 18h, bit 4, is set to zero, the OVT# pin is in comparator mode. In comparator mode, the OVT# pin can create an interrupt once the current temperature exceeds  $T_O$  and continues to create interrupts until the temperature falls below  $T_{HYST}$ . The OVT# pin is asserted once the temperature has exceeded  $T_O$  and has not yet fallen below  $T_{HYST}$ .

If Bank0 Index 18h, bit 4, is set to one, the OVT# pin is in interrupt mode. In interrupt mode, the OVT# pin can create an interrupt once the current temperature rises above  $T_O$  or when the temperature falls below  $T_{HYST}$ . Once the temperature rises above  $T_O$ , however, and generates an interrupt, this mode does not generate additional interrupts, even if the temperature remains above  $T_O$ , until the temperature falls below  $T_{HYST}$ . This interrupt must be reset by reading all the interrupt status registers. The OVT# pin is asserted when an interrupt is generated and remains asserted until the interrupt is reset.

### 8.11 Power Measurement

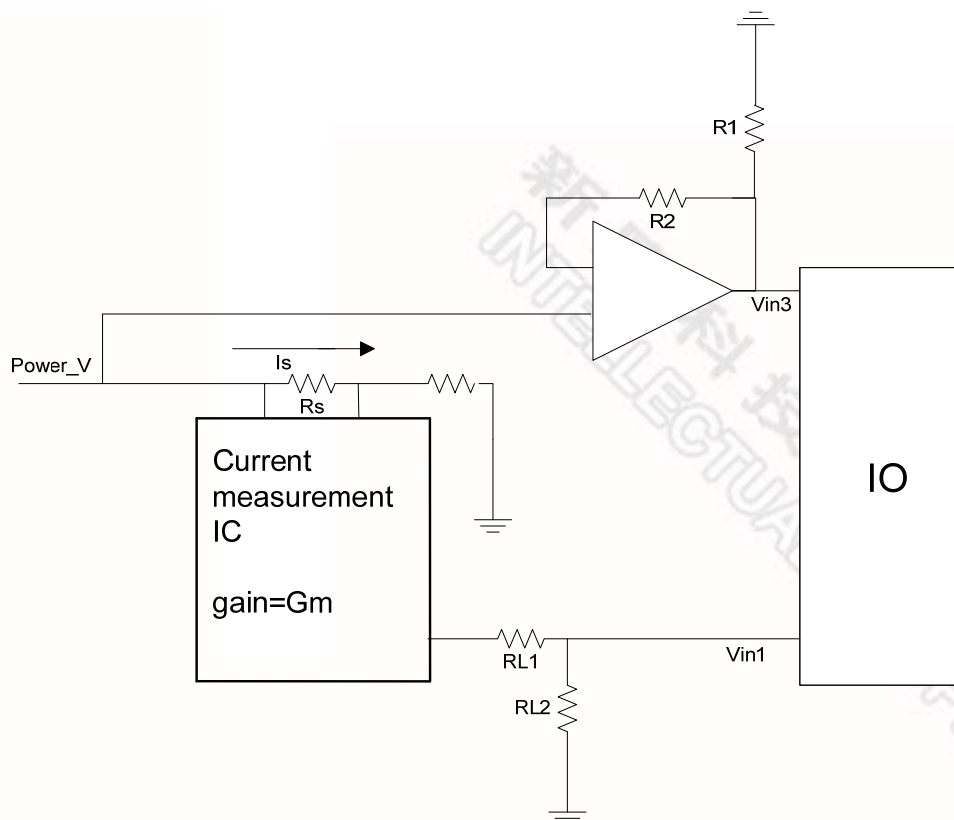


Figure 8-25 Power measurement architecture

This function will detect the voltage from current measurement IC on board and calculate the current and power. Fig 8-20 is the architecture.  $V_{in3}$  ( $V_{in3} = Power\_V \times \frac{R1}{R1 + R2}$ ) and  $V_{in1}$  ( $V_{in1} = Is \times Rs \times Gm \times RL2$ ) could not over 2.048. We suggest the ratio  $\frac{R1}{R1 + R2} = \frac{1}{15}$ .

	HM Register	Note
<b>Is</b>	Bank4 Index 60h & Index 61h	Calculate by IO
<b>POWER</b>	Bank4 Index 62h & Index 63h	Calculate by IO
<b>VIN</b>	Bank4 Index 64h	Given by user
<b>Rre</b>	Bank4 Index 65h	Given by user $Rreg = Rs * RL2 * Gm$
<b>Reg_Ration_K</b>	Bank4 Index 66h	Given by user $Reg\_Ration\_K = (R1 + R2) / (R1)$
<b>Power_Volt_En</b>	Bank4 Index 66h	Given by user
<b>POWER_V</b>	Bank4 Index 67h	Calculate by IO or given by user depend on Power_Volt_En
<b>Vin1</b>	Bank0 Index 24h	Measure by IO

## 9. HARDWARE MONITOR REGISTER SET

The base address of the Address Port and Data Port is specified in registers CR[60h] and CR[61h] of Logical Device B, the hardware monitor device. CR[60h] is the high byte, and CR[61h] is the low byte. The Address Port and Data Port are located at the base address, plus 5h and 6h, respectively. For example, if CR[60h] is 02h and CR[61h] is 90h, the Address Port is at 0x295h, and the Data Port is at 0x296h.

Remember that this access is from the host CPU I/O address range. To conserve space in the crowded CPU I/O addresses, many of the hardware monitor registers are “banked” with the bank number located at Bank0, index 04Eh.

### 9.1 Address Port (Port x5h)

Attribute: Bit 6:0 Read/Write , Bit 7: Reserved

Size: 8 bits

BIT	7	6	5	4	3	2	1	0
NAME	DATA							
DEFAULT	0	0	0	0	0	0	0	0

BIT	DESCRIPTION
7	RESERVED.
6-0	READ/WRITE.

BIT 7	BIT 6	BIT 5	BIT 4	BIT 3	BIT 2	BIT 1	BIT 0
Reserved (Power On default 0)	Address Pointer (Power On default 00h)						
	A6	A5	A4	A3	A2	A1	A0

### 9.2 Data Port (Port x6h)

Attribute: Read/Write

Size: 8 bits

BIT	7	6	5	4	3	2	1	0
NAME	DATA							
DEFAULT	0	0	0	0	0	0	0	0

BIT	DESCRIPTION
7-0	Data to be read from or to be written to Value RAM and Register.

### 9.3 SYSFANOUT PWM Output Frequency Configuration Register – Index 00h (Bank 0)

Attribute: Read/Write

Size: 8 bits

BIT	7	6	5	4	3	2	1	0
-----	---	---	---	---	---	---	---	---

NAME	PWM_CLK_SEL1	PWM_SCALE1						
DEFAULT	0	0	0	0	0	1	0	0

The register is meaningful only when SYSFANOUT is programmed for PWM output (i.e., Bank0, Index 04h, bit 0 is 0).

BIT	DESCRIPTION
7	<b>PWM_CLK_SEL1. SYSFANOUT PWM Input Clock Source Select.</b> This bit selects the clock source for PWM output frequency. 0: The clock source is 24 MHz. 1: The clock source is 258 KHz.
6-0	<b>PWM_SCALE1. SYSFANOUT PWM Pre-Scale divider.</b> The clock source for PWM output is divided by this seven-bit value to calculate the actual PWM output frequency. $\text{PWM output frequency} = \frac{\text{Input Clock}}{\text{Pre\_Scale Divider}} * \frac{1}{256}$ The maximum value of the divider is 127 (7Fh), and it should not be set to 0.

The clock source selected by CKSEL will be divided by the divisor and used as a fan PWM output frequency.

If CKSEL equals **0**, then the output clock is simply equal to **93.9/ (Divisor[6:0]+1) KHz**

MappedDivisor depends on **Divisor[6:0]** and is described in the table below.

Divisor[6:0]	Mapped Divisor	Output Frequency	Divisor[6:0]	Mapped Divisor	Output Frequency
0000000	1	<b>93.9KHz</b>	.....		
0000001	2	<b>46.95KHz</b>			
0000010	3	<b>31.3KHz</b>			
0000011	4	<b>23.47KHz</b>			
0000100	5	<b>18.78KHz</b>	0001111	16	<b>5.86KHz</b>
0000101	6	<b>15.65KHz</b>	0011111	32	<b>2.93KHz</b>
0000110	7	<b>13.41KHz</b>	0111111	64	<b>1.46KHz</b>
0000111	8	<b>11.73KHz</b>	1111111	128	<b>734Hz</b>

If CKSEL equals **1**, then the output clock is simply equal to **1008/ Mapped Divisor Hz**

MappedDivisor depends on **Divisor[3:0]** and is described in the table below.

Divisor[3:0]	Mapped Divisor	Output Frequency	Divisor[3:0]	Mapped Divisor	Output Frequency
0000	1	<b>1008Hz</b>	1000	<b>12</b>	<b>84Hz</b>
0001	2	<b>504Hz</b>	1001	<b>16</b>	<b>63Hz</b>
0010	3	<b>336Hz</b>	1010	<b>32</b>	<b>31.5Hz</b>
0011	4	<b>252Hz</b>	1011	<b>64</b>	<b>15.75Hz</b>
0100	5	<b>201Hz</b>	1100	<b>128</b>	<b>7.875Hz</b>
0101	6	<b>168Hz</b>	1101	<b>256</b>	<b>3.94Hz</b>
0110	7	<b>144Hz</b>	1110	<b>512</b>	<b>1.97Hz</b>
0111	8	<b>126Hz</b>	1111	<b>1024</b>	<b>0.98Hz</b>

#### 9.4 SYSFANOUT Output Value Select Register – Index 01h (Bank 0)

Attribute: Read Only

Size: 8 bits



BIT	7	6	5	4	3	2	1	0
NAME	SYSFANOUT Value							
DEFAULT	FFh							

FUNCTION MODE		7	6	5	4	3	2	1	0	
PWM Output (Bank0, Index 04h, bit 0 is 0)	DESCRIPTION	The PWM duty cycle is equal to this eight-bit value, divided by 255, times 100%. FFh creates a duty cycle of 100%, and 00h creates a duty cycle of 0%.								
DC Voltage Output Bank0, Index 04h, bit 0 is 1)	DESCRIPTION	SYSFANOUT voltage control. The output voltage is calculated according to this equation. $\text{OUTPUT Voltage} = V_{ref} * \frac{FANOUT}{64}$ Note. VREF is approx 2.048V.					Reserved			
This register could be programmed by Bank1, Index 09										

### 9.5 CPUFANOUT PWM Output Frequency Configuration Register – Index 02h (Bank 0)

Attribute: Read/Write

Size: 8 bits

BIT	7	6	5	4	3	2	1	0
NAME	PWM_CLK_SEL2	PWM_SCALE2						
DEFAULT	0	0	0	0	0	1	0	0

The register is meaningful only when CPUFANOUT is programmed for PWM output.

BIT	DESCRIPTION
7	<b>PWM_CLK_SEL2. CPUFANOUT PWM Input Clock Source Select.</b> This bit selects the clock source for the PWM output. 0: The clock source is 24 MHz. 1: The clock source is 258 KHz.
6-0	<b>PWM_SCALE2. CPUFANOUT PWM Pre-Scale divider.</b> The clock source for PWM output is divided by this seven-bit value to calculate the actual PWM output frequency. $\text{PWM output frequency} = \frac{\text{Input Clock}}{\text{Pre\_Scale Divider}} * \frac{1}{256}$ The maximum value of the divider is 127 (7Fh), and it should not be set to 0.

The clock source selected by CKSEL will be divided by the divisor and used as a fan PWM output frequency.

If CKSEL equals **0**, then the output clock is simply equal to **93.9/ (Divisor[6:0]+1) KHz**

MappedDivisor depends on **Divisor[6:0]** and is described in the table below.

Divisor[6:0]	Mapped Divisor	Output Frequency	Divisor[6:0]	Mapped Divisor	Output Frequency
0000000	1	93.9KHz	.....		
0000001	2	46.95KHz			
0000010	3	31.3KHz			
0000011	4	23.47KHz			

Divisor[6:0]	Mapped Divisor	Output Frequency	Divisor[6:0]	Mapped Divisor	Output Frequency
0000100	5	18.78KHz	0001111	16	5.86KHz
0000101	6	15.65KHz	0011111	32	2.93KHz
0000110	7	13.41KHz	0111111	64	1.46KHz
0000111	8	11.73KHz	1111111	128	734Hz

If CKSEL equals 1, then the output clock is simply equal to **1008/ Mapped Divisor Hz**  
 MappedDivisor depends on **Divisor[3:0]** and is described in the table below.

Divisor[3:0]	Mapped Divisor	Output Frequency	Divisor[3:0]	Mapped Divisor	Output Frequency
0000	1	1008Hz	1000	12	84Hz
0001	2	504Hz	1001	16	63Hz
0010	3	336Hz	1010	32	31.5Hz
0011	4	252Hz	1011	64	15.75Hz
0100	5	201Hz	1100	128	7.875Hz
0101	6	168Hz	1101	256	3.94Hz
0110	7	144Hz	1110	512	1.97Hz
0111	8	126Hz	1111	1024	0.98Hz

### 9.6 CPUFANOUT Output Value Select Register – Index 03h (Bank 0)

Attribute: Read Only  
 Size: 8 bits

BIT	7	6	5	4	3	2	1	0
NAME	CPUFANOUT Value							
DEFAULT	7Fh							

FUNCTION MODE		7	6	5	4	3	2	1	0
PWM Output	DESCRIPTION	CPUFANOUT PWM Duty. The PWM duty cycle is equal to this 8-bit value, divided by 255, times 100%. FFh creates a duty cycle of 100%, and creates a duty cycle of 0%.							
This register could be programmed by Bank2, Index 09									

### 9.7 SYSFANOUT Configuration Register I – Index 04h (Bank 0)

Attribute: Read/Write  
 Size: 8 bits

BIT	7	6	5	4	3	2	1	0
NAME	RESERVED							SYSFANOUT_SEL
DEFAULT	0	0	0	0	0	0	0	1

BIT	DESCRIPTION
7-1	Reserved.
0	<b>SYSFANOUT Output Mode Selection.</b> 0: SYSFANOUT pin produces a PWM duty cycle output.

BIT	DESCRIPTION
	1: SYSFANOUT pin produces DC output. <b>(Default)</b>

9.8 Reserved Register – Index 05h ~ 0Fh (Bank 0)

9.9 Reserved Register – Index 10h (Bank 0)

9.10 Reserved Register – Index 11h (Bank 0)

9.11 Reserved Register – Index 12-17h (Bank 0)

9.12 OVT# Configuration Register – Index 18h (Bank 0)

Attribute: Read/Write

Size: 8 bits

BIT	7	6	5	4	3	2	1	0
BIT	RESERVED	DIS_OVT1	RESERVED	OVT1_Mode	RESERVED			STOP
DEFAULT	0	1	0	0	0	0	0	0

BIT	DESCRIPTION
7	<b>Reserved.</b>
6	<b>DIS_OVT1.</b> 0: Enable SMIOVT1 OVT# output. (Default) 1: Disable temperature sensor SMIOVT1 over-temperature (OVT#) output.
5	<b>Reserved.</b>
4	<b>OVT1_Mode. SMIOVT1 Mode Select.</b> 0: Compare Mode. (Default) 1: Interrupt Mode.
3-1	<b>Reserved.</b>
0	<b>STOP.</b> 0: Monitor SMIOVT1 temperature source. 1: Stop monitoring SMIOVT1 temperature source.

9.13 Reserved Registers – Index 19h ~ 1Fh (Bank 0)

9.14 Value RAM — Index 20h ~ 3Fh (Bank 0)

ADDRESS A6-A0	DESCRIPTION
20h	CPUVCORE reading
21h	VIN0 reading
22h	AVCC reading
23h	3VCC reading
24h	VIN1 reading

ADDRESS A6-A0	DESCRIPTION
25h	Reserved
26h	VIN3 reading
27h	SMIOVT1 temperature source reading.
2Bh	CPUVCORE High Limit
2Ch	CPUVCORE Low Limit
2Dh	VIN0 High Limit
2Eh	VIN0 Low Limit
2Fh	AVCC High Limit
30h	AVCC Low Limit
31h	3VCC High Limit
32h	3VCC Low Limit
33h	VIN1 High Limit
34h	VIN1 Low Limit
35h	Reserved
36h	Reserved
37h	VIN3 High Limit
38h	VIN3 Low Limit
39h	SMIOVT1 temperature sensor High Limit
3Ah	SMIOVT1 temperature sensor Hysteresis Limit

### 9.15 Configuration Register – Index 40h (Bank 0)

Attribute: Read/Write

Size: 8 bits

BIT	7	6	5	4	3	2	1	0
NAME	INITIALIZATION	EN_WS2	EN_WS1	EN_WS	INT_CLEAR	RESERVED	SMI#ENABLE	START
DEFAULT	0	0	0	0	0	0	1	1

BIT	DESCRIPTION
7	<b>Initialization.</b> A one restores the power-on default values to some registers. This bit clears itself since the power-on default of this bit is zero.
6	<b>Output type of SMIOVT3:</b> 1: SMI# output type of SMIOVT Source3 temperature (Default: AUXTIN) is Shut-down Interrupt Mode. 0: Depend on the value of Bank0, Index 4C, bit6.
5	<b>Output type of SMIOVT2:</b> 1: SMI# output type of SMIOVT Source2 temperature (Default: CPUTIN) is Shut-down Interrupt Mode. 0: Depend on the value of Bank0, Index 4C, bit6.
4	<b>Output type of SMIOVT3</b> 1: SMI# output type of SMIOVT Source1 temperature (Default: SYSTIN) is Shut-down

BIT	DESCRIPTION
	Interrupt Mode. 0: Depend on the value of Bank0, Index 4C, bit5.
3	<b>INT_Clear.</b> A one disables the SMI# output without affecting the contents of Interrupt Status Registers. The device will stop monitoring. It will resume upon clearing of this bit.
2	<b>Reserved.</b>
1	<b>SMI# Enable.</b> A one enables the SMI# Interrupt output. 1: Enable SMI# function (Default) 0: Disable SMI# function
0	<b>Start.</b> A one enables startup of monitoring operations. A zero puts the part in standby mode. <b>Note:</b> Unlike the "INT_Clear" bit, the outputs of interrupt pins will not be cleared if the user writes a zero to this location after an interrupt has occurred.

### 9.16 Interrupt Status Register 1 – Index 41h (Bank 0)

Attribute: Read Clear

Size: 8 bits

BIT	7	6	5	4	3	2	1	0
<b>NAME</b>	CPUFANIN	SYSFANIN	<b>SOURCE2_SMI</b>	<b>SOURCE1_SMI</b>	3VCC	AVCC	VIN0	CPUVCORE
<b>DEFAULT</b>	0	0	0	0	0	0	0	0

BIT	DESCRIPTION
7	<b>CPUFANIN.</b> A one indicates the fan count limit of CPUFANIN has been exceeded.
6	<b>SYSFANIN.</b> A one indicates the fan count limit of SYSFANIN has been exceeded.
5	<b>SOURCE2_SMI.</b> A one indicates the high limit of SMIOVT SOURCE2 temperature has been exceeded. (CPUTIN is default temperature)
4	<b>SOURCE1_SMI.</b> A one indicates the high limit of SMIOVT SOURCE1 temperature has been exceeded. (SYSTIN is default temperature)
3	<b>3VCC.</b> A one indicates the high or low limit of 3VCC has been exceeded.
2	<b>AVCC.</b> A one indicates the high or low limit of AVCC has been exceeded.
1	<b>VIN0.</b> A one indicates the high or low limit of VIN0 has been exceeded.
0	<b>CPUVCORE.</b> A one indicates the high or low limit of CPUVCORE has been exceeded.

### 9.17 Interrupt Status Register 2 – Index 42h (Bank 0)

Attribute: Read Clear

Size: 8 bits

BIT	7	6	5	4	3	2	1	0
<b>NAME</b>	Reserved.	Reserved.	SMIOVT3	Reserved.	Reserved.	Reserved.	VIN3	VIN1
<b>DEFAULT</b>	0	0	0	0	0	0	0	0

BIT	DESCRIPTION
5	<b>SMIOVT3</b> A one indicates the high limit of SMIOVT SOURCE3 temperature has been exceeded. (AUXTIN is default temperature)
1	<b>VIN3.</b> A one indicates the high or low limit of VIN3 has been exceeded.
0	<b>VIN1.</b> A one indicates the high or low limit of VIN1 has been exceeded.

### 9.18 SMI# Mask Register 1 – Index 43h (Bank 0)

Attribute: Read/Write

Size: 8 bits

BIT	7	6	5	4	3	2	1	0
<b>NAME</b>	CPUFANIN	SYSFANIN	SMIOVT2	Reserved.	3VCC	AVCC	VIN0	CPUVCORE
<b>DEFAULT</b>	1	1	1	1	1	1	1	1

BIT	DESCRIPTION
7	<b>CPUFANIN.</b>
6	<b>SYSFANIN.</b>
5	<b>SMIOVT2.</b>
4	<b>Reserved</b>
3	<b>3VCC.</b>
2	<b>AVCC.</b>
1	<b>VIN0.</b>
0	<b>CPUVCORE.</b>

A one disables the corresponding interrupt status bit for the SMI interrupt. (See Interrupt Status Register 1 – Index 41h (Bank0))

### 9.19 SMI# Mask Register 2 – Index 44h (Bank 0)

Attribute: Read/Write

Size: 8 bits

BIT	7	6	5	4	3	2	1	0
<b>NAME</b>	TAR2	TAR1	SMIOVT3	Reserved.	Reserved.	VIN3	Reserved.	VIN1
<b>DEFAULT</b>	1	1	1	1	1	1	1	1

BIT	DESCRIPTION
7	<b>TAR2.</b>
6	<b>TAR1.</b>
5	<b>SMIOVT3</b>
4	<b>Reserved.</b>
3	<b>Reserved.</b>
2	<b>VIN3.</b>
1	<b>Reserved.</b>
0	<b>VIN1.</b>

A one disables the corresponding interrupt status bit for the interrupt. (See Interrupt Status Register 2 – Index 42h (Bank 0))

### 9.20 Interrupt Status Register 4 – Index 45h (Bank 0)

Attribute: Read Clear

Size: 8 bits

BIT	7	6	5	4	3	2	1	0
NAME	Reserved.	Reserved.	Reserved.	CPU FANOUT	SYS FANOUT	Shut_SOURCE3_SMI	Shut_SOURCE2_SMI	Shut_SOURCE1_SMI
DEFAULT	0	0	0	0	0	0	0	0

BIT	DESCRIPTION
7	Reserved.
6	Reserved.
5	Reserved.
4	<b>CPUFANOUT.</b> “1” indicates that CPUFANOUT works for three minutes at the full fan speed.
3	<b>SYSFANOUT.</b> “1” indicates that SYSFANOUT works for three minutes at the full fan speed.
2	<b>Shut_SOURCE3_SMI.</b> “1” indicates the high limit of SMIOVT_SOURCE3 temperature of SMI# Shut-down mode has been exceeded. (AUXTIN is default temperature)
1	<b>Shut_SOURCE2_SMI.</b> “1” indicates the high limit of SMIOVT_SOURCE2 temperature of SMI# Shut-down mode has been exceeded. (CPUTIN is default temperature)
0	<b>Shut_SOURCE1_SMI.</b> “1” indicates the high limit of SMIOVT_SOURCE1 temperature of SMI# Shut-down mode has been exceeded. (SYSTIN is default temperature)

### 9.21 SMI# Mask Register 3 – Index 46h (Bank 0)

Attribute: Read/Write

Size: 8 bits

BIT	7	6	5	4	3	2	1	0
NAME	Reserved.	Reserved.	Shut_AUX	Shut_CPU	Shut_SYS	Reserved.	Reserved.	Reserved.
DEFAULT	0	0	1	1	1	1	1	0

BIT	DESCRIPTION
7	Reserved.
6	Reserved.
5	<b>Shut_AUX</b>
4	<b>Shut_CPU</b>
3	<b>Shut_SYS</b>
2	Reserved.
1	Reserved.

“1” disables the corresponding interrupt status bit for the SMI interrupt. (See Interrupt Status Register 4 – Index 45h (Bank 0)).

“1” disables the corresponding interrupt status bit for the SMI interrupt.

“1” disables the corresponding interrupt status bit for the SMI interrupt.

BIT	DESCRIPTION	
0	Reserved.	"1" disables the corresponding interrupt status bit for the SMI interrupt.

### 9.22 Reserved Register – Index 47h (Bank 0)

### 9.23 Serial Bus Address Register – Index 48h (Bank 0)

Attribute: Read/Write

Size: 8 bits

BIT	7	6	5	4	3	2	1	0
NAME	RESERVED	SERIAL BUS ADDRESS						
DEFAULT	0	0	1	0	1	1	0	1

BIT	DESCRIPTION
7	Reserved (Read Only).
6-0	Serial Bus Address <7:1>

### 9.24 Reserved Register – Index 49h ~ 4Ah (Bank 0)

### 9.25 SMI/OVT Control Register1 – Index 4Ch (Bank 0)

Attribute: Read/Write

Size: 8 bits

BIT	7	6	5	4	3	2	1	0
NAME	Reserved	T2ToT6_INT MODE	EN_T1_ONE	DIS_OVT3	DIS_OVT2	OVPOL	RESERVED	
DEFAULT	0	0	0	1	1	0	0	0

BIT	DESCRIPTION
7	Reserved
6	<b>T2ToT6_INTMode.</b> 1: SMI# output type of Temperature SMIOVT2, SMIOVT3, SMIOVT4, SMIOVT5 and SMIOVT6 temperature source is in Comparator Interrupt mode. 0: SMI# output type of Temperature SMIOVT2, SMIOVT3, SMIOVT4, SMIOVT5 and SMIOVT6 temperature source is in Two-Times Interrupt mode. (Default)
5	<b>EN_T1_ONE.</b> 1: SMI# output type of SMIOVT Source1 temperature (Default: SYSTIN) is One-Time Interrupt Mode. 0: SMI# output type is in Two-Times Interrupt Mode. (Default)
4	<b>DIS_OVT3.</b> 1: Disable SMIOVT Source3 temperature sensor (Default: AUXTIN) over-temperature (OVT) output. (Default)



BIT	DESCRIPTION
	0: Enable SMIOVT Source3 temperature OVT output through pin OVT#.
3	<b>DIS_OVT2.</b> 1: Disable SMIOVT Source2 temperature sensor (Default: CPUTIN) over-temperature (OVT) output. 0: Enable SMIOVT Source2 temperature OVT output through pin OVT#. (Default)
2	<b>OVTPOL (Over-temperature polarity).</b> 1: OVT# is active high. 0: OVT# is active low (Default).
1-0	<b>Reserved.</b>

### 9.26 FAN IN/OUT Control Register – Index 4Dh (Bank 0)

Attribute: Read/Write

Size: 8 bits

BIT	7	6	5	4	3	2	1	0
<b>NAME</b>	RESERVED				FANOPV2	FANINC2	FANOPV1	FANINC1
<b>DEFAULT</b>	0	0	0	0	0	1	0	1

BIT	DESCRIPTION
7-4	<b>Reserved.</b>
3	<b>FANOPV2. CPUFANIN output value</b> , only if bit 2 is set to zero. 1: Pin 124 (CPUFANIN) generates a logic-high signal. 0: Pin 124 generates a logic-low signal. (Default)
2	<b>FANINC2. CPUFANIN Input Control.</b> 1: Pin 124 (CPUFANIN) acts as a fan tachometer input. (Default) 0: Pin 124 acts as a fan control signal, and the output value is set by bit 3.
1	<b>FANOPV1. SYSFANIN output value</b> , only if bit 0 is set to zero. 1: Pin 126 (SYSFANIN) generates a logic-high signal. 0: Pin 126 generates a logic-low signal. (Default)
0	<b>FANINC1. SYSFANIN Input Control.</b> 1: Pin 126 (SYSFANIN) acts as a fan tachometer input. (Default) 0: Pin 126 acts as a fan control signal, and the output value is set by bit 1.

### 9.27 Bank Select Register – Index 4Eh (Bank 0)

Attribute: Read/Write

Size: 8 bits

BIT	7	6	5	4	3	2	1	0
<b>NAME</b>	HBACS	Reserved	Reserved	Reserved	BANK SEL3	BANK SEL2	BANK SEL1	BANK SEL0
<b>DEFAULT</b>	1	0	0	0	0	0	0	0

BIT	DESCRIPTION
7	<b>HBACS. HBACS – High Byte Access.</b>

BIT	DESCRIPTION	
	1: Access Index 4Fh high-byte register. (Default) 0: Access Index 4Fh low-byte register.	
6	<b>Reserved.</b> This bit should be set to zero.	
5	<b>Reserved</b>	
4	<b>Reserved</b>	
3	<b>BANKSEL3.</b> Bank Select for Bank0 to BankF. The Four-bit binary value corresponds to the bank number. For example, "0010" selects bank2.	
2		<b>BANKSEL2.</b>
1		<b>BANKSEL1.</b>
0		<b>BANKSEL0.</b>

### 9.28 Nuvoton Vendor ID Register – Index 4Fh (Bank 0)

Attribute: Read Only

Size: 16 bits

BIT	15	14	13	12	11	10	9	8
<b>NAME</b>	<b>VIDH</b>							
<b>DEFAULT</b>	0	1	0	1	1	1	0	0

BIT	7	6	5	4	3	2	1	0
<b>NAME</b>	<b>VIDL</b>							
<b>DEFAULT</b>	1	0	1	0	0	0	1	1

BIT	DESCRIPTION
15-8	<b>Vendor ID High-Byte</b> , if Index 4Eh, bit 7 is 1. Default 5Ch.
7-0	<b>Vendor ID Low-Byte</b> , if Index 4Eh, bit 7 is 0. Default A3h.

### 9.29 Reserved Register – Index 50h ~ 57h (Bank 0)

### 9.30 Chip ID – Index 58h (Bank 0)

Attribute: Read Only

Size: 8 bits

BIT	7	6	5	4	3	2	1	0
<b>NAME</b>	<b>CHIPID</b>							
<b>DEFAULT</b>	1	1	0	0	0	0	0	1

BIT	DESCRIPTION
7-0	Nuvoton Chip ID number. Default C1h.

### 9.31 Reserved Register – Index 5Ah ~ 5Ch (Bank 0)

### 9.32 VBAT Monitor Control Register – Index 5Dh (Bank 0)

Attribute: Read/Write  
 Size: 8 bits

BIT	7	6	5	4	3	2	1	0
NAME	Reserved				DIODES3	DIODES2	Reserved	EN_VBAT_MNT
DEFAULT	0	0	0	0	0	1	0	0

BIT	DESCRIPTION
7-4	Reserved
3	<b>DIODES 3. Sensor type selection for AUXTIN.</b> 1: Diode sensor. 0: Thermistor sensor. (default)
2	<b>DIODES 2. Sensor type selection for CPUTIN.</b> 1: Diode sensor. (default) 0: Thermistor sensor.
1	Reserved
0	<b>EN_VBAT_MNT.</b> 1: Enable battery voltage monitor. When this bit changes from zero to one, it takes one monitor cycle time to update the VBAT reading value register. 0: Disable battery voltage monitor.

### 9.33 Current Mode Enable Register – Index 5Eh (Bank 0)

Attribute: Read/Write  
 Size: 8 bits

BIT	7	6	5	4	3	2	1	0
NAME	Reserved				EN_AUXTIN CURRENT MODE	EN_CPUTIN CURRENT MODE	Reserved	RESERVED
DEFAULT	0	0	0	0	0	1	0	0

BIT	DESCRIPTION
7-4	Reserved.
3	<b>Enable AUXTIN Current Mode.</b> With AUXTIN is selected to Diode sensor (Bank0, Index 5Dh, Bit 3 = 1). 1: Temperature sensing of AUXTIN by Current Mode. 0: Temperature sensing of AUXTIN depends on the setting of Index 5Dh and 59h. (Default)
2	<b>Enable CPUTIN Current Mode.</b> With CPUTIN is selected to Diode sensor (Bank0, Index 5Dh, Bit 2 = 1). 1: Temperature sensing of CPUTIN by Current mode. (Default) 0: Temperature sensing of CPUTIN depends on the setting of Index 5Dh and 59h.
1	Reserved.

BIT	DESCRIPTION
0	Reserved.

### 9.34 Reserved Register – Index 5F (Bank 0)

### 9.35 PORT 80 DATA INPUT Register – Index 60 (Bank 0)

Attribute: Read

Size: 8 bits

BIT	7	6	5	4	3	2	1	0
NAME	P80_IN							
DEFAULT	0	0	0	0	0	0	0	0

BIT	DESCRIPTION
7-0	PORT 80 DATA INPUT

### 9.36 Reserved Register – Index 61F ~ 62F (Bank 0)

### 9.37 FANOUT MAX RPM Detect Time Register – Index 65 (Bank 0)

Attribute: Read/Write

Size: 8 bits

BIT	7	6	5	4	3	2	1	0
NAME	TIME_MAXRPM							
DEFAULT	0	0	0	0	0	0	0	1

BIT	DESCRIPTION
7-0	FANOUT MAX RPM Detect Time (unit:0.1sec)

### 9.38 MAX RPM Detect Time Configuration Register – Index 66 (Bank 0)

Attribute: Read/Write

Size: 8 bits

BIT	7	6	5	4	3	2	1	0
NAME	Reserved						EN_MAX_RPM_CPU	EN_MAX_RPM_SYS
DEFAULT	0	0	0	0	0	0	0	0

BIT	DESCRIPTION
7-2	Reserved.
1	EN_MAX_RPM_CPU. 0: Disable CPUFANMAX RPM DETECT 1: Enable CPUFAN MAX RPM DETECT
0	EN_MAX_RPM_SYS. 0 : Disable SYSFAN MAX RPM DETECT

1: Enable SYSFAN MAX RPM DETECT
---------------------------------

**9.39 Reserved register – Index 67h ~ 72h (Bank 0)**

**9.40 MONITOR TEMPERATURE 1 Register (Integer Value)- Index 73h (Bank 0)**

Attribute: Read/Write

Size: 8 bits

BIT	7	6	5	4	3	2	1	0
NAME	<b>MONITOR TEMPERATURE 1 [8:1]</b>							
DEFAULT	0	0	0	0	0	0	0	0

BIT	DESCRIPTION
7-0	<b>MONITOR TEMPERATURE 1 [8:1]</b> SYSFANOUT fan control temperature reading. (Source is selected by Bank1, Index00 bit[4:0])

**9.41 MONITOR TEMPERATURE 1 Register (Fractional Value)- Index 74h (Bank 0)**

Attribute: Read/Write

Size: 8 bits

BIT	7	6	5	4	3	2	1	0
NAME	<b>MONITOR TEMPERATURE 1 [0]</b>	<b>Reserved</b>						
DEFAULT	0	0	0	0	0	0	0	0

BIT	DESCRIPTION
7	<b>MONITOR TEMPERATURE 1 [0]</b> SYSFANOUT fan control temperature reading. (Source is selected by Bank1, Index00 bit[4:0])
6-0	<b>Reserved</b>

**9.42 MONITOR TEMPERATURE 2 Register (Integer Value)- Index 75h (Bank 0)**

Attribute: Read/Write

Size: 8 bits

BIT	7	6	5	4	3	2	1	0
NAME	<b>MONITOR TEMPERATURE 2 [8:1]</b>							
DEFAULT	0	0	0	0	0	0	0	0

BIT	DESCRIPTION
7-0	<b>MONITOR TEMPERATURE 2 [8:1]</b> CPUFANOUT fan control temperature reading. (Source is selected by Bank2, Index00 bit[4:0])

**9.43 MONITOR TEMPERATURE 2 Register (Fractional Value)- Index 76h (Bank 0)**

Attribute: Read/Write

Size: 8 bits

BIT	7	6	5	4	3	2	1	0
NAME	MONITOR TEMPERATURE 2 [0]		Reserved					
DEFAULT	0	0	0	0	0	0	0	0

BIT	DESCRIPTION
7	<b>MONITOR TEMPERATURE 2 [0]</b> CPUFANOUT fan control temperature reading. (Source is selected by Bank2, Index00 bit[4:0])
6-0	Reserved

**9.44 Reserved Register - Index 77h (Bank 0)**

**9.45 Reserved Register - Index 78h (Bank 0)**

**9.46 Reserved Register – Index 79h~ADh (Bank 0)**

**9.47 PECI Temperature Reading Enable for SMIOVT and SMART FAN Control Register – Index AEh (Bank 0)**

Attribute: Read/Write

Size: 8 bits

BIT	7	6	5	4	3	2	1	0
NAME	Reserved						EN_PECI1	EN_PECI0
DEFAULT	0	0	0	0	0	0	0	0

BIT	DESCRIPTION
7-2	Reserved.
1	Enable PECI Agent1
0	Enable PECI Agent0

**9.48 BEEP Control Register 1 – Index B2h (Bank0)**

Attribute: Read/Write

Size: 8 bits

BIT	7	6	5	4	3	2	1	0
NAME	En3VSB_BP	EnVIN3_BP	EnVIN2_BP	EnVIN1_BP	En3VCC_BP	EnAVCC_BP	EnVIN0_BP	EnCPUVCORE_BP
DEFAULT	0	0	0	0	0	0	0	0

BIT	DESCRIPTION
7	En3VSB_BP 1 : Enable 3VSB Beep function 0 : Disable 3VSB Beep fuction
6	EnVIN3_BP 1 : Enable VIN3 Beep function 0 : Disable VIN3 Beep fuction
5	EnVIN2_BP 1 : Enable VIN2 Beep function 0 : Disable VIN2 Beep fuction
4	EnVIN1_BP 1 : Enable VIN1 Beep function 0 : Disable VIN1 Beep fuction
3	En3VCC_BP 1 : Enable 3VCC Beep function 0 : Disable 3VCC Beep fuction
2	EnAVCC_BP 1 : Enable AVCC Beep function 0 : Disable AVCC Beep fuction
1	EnVIN0_BP 1 : Enable VIN0 Beep function 0 : Disable VIN0 Beep fuction
0	EnCPUVCORE_BP 1 : Enable CPUVCORE Beep function 0 : Disable CPUVCORE Beep fuction

### 9.49 BEEP Control Register 2 – Index B3h (Bank0)

Attribute: Read/Write

Size: 8 bits

BIT	7	6	5	4	3	2	1	0
NAME	User Mode	Reserved						EnVBAT_BP
DEFAULT	0	0	0	0	0	0	0	0

BIT	DESCRIPTION
7	User control for Beep alarm 1 : Enable 0 : Disable
6-1	Reserved
0	EnVBAT_BP 1 : Enable VBAT Beep function 0 : Disable VBAT Beep fuction

### 9.50 BEEP Control Register 3 – Index B4h (Bank0)

Attribute: Read/Write

Size: 8 bits

BIT	7	6	5	4	3	2	1	0
NAME	RESERVED	RESERVED	EnT6_BP	EnT5_BP	EnT4_BP	EnT3_BP	EnT2_BP	EnT1_BP
DEFAULT	0	0	0	0	0	0	0	0

BIT	DESCRIPTION
7-6	Reserved
0	EnT6_BP 1 : Enable SMIOVT6 Beep function 0 : Disable SMIOVT6 Beep fuction
0	EnT5_BP 1 : Enable SMIOVT5 Beep function 0 : Disable SMIOVT5 Beep fuction
0	EnT4_BP 1 : Enable SMIOVT4 Beep function 0 : Disable SMIOVT4 Beep fuction
0	EnT3_BP 1 : Enable SMIOVT3 Beep function 0 : Disable SMIOVT3 Beep fuction
0	EnT2_BP 1 : Enable SMIOVT2 Beep function 0 : Disable SMIOVT2 Beep fuction
0	EnT1_BP 1 : Enable SMIOVT1 Beep function 0 : Disable SMIOVT1 Beep fuction

### 9.51 BEEP Control Register 4 – Index B5h (Bank0)

Attribute: Read/Write

Size: 8 bits

BIT	7	6	5	4	3	2	1	0
NAME	En Caseopen1_BP	En Caseopen0_BP	En AUXFANIN2_BP	En AUXFANIN1_BP	En AUXFANIN0_BP	En CPUFANIN_BP	En SYSFANIN_BP	En_Beep
DEFAULT	0	0	0	0	0	0	0	0

BIT	DESCRIPTION
7	En Caseopen1_BP 1 : Enable Caseopen1 Beep function 0 : Disable Caseopen1 Beep fuction



BIT	DESCRIPTION
6	<b>En Caseopen0_BP</b> 1 : Enable Caseopen0_bp Beep function 0 : Disable Caseopen0_bp Beep fuction
5	<b>En AUXFANIN2_BP</b> 1 : Enable AUXFANIN2 Beep function 0 : Disable AUXFANIN2 Beep fuction
4	<b>En AUXFANIN1_BP</b> 1 : Enable AUXFANIN1 Beep function 0 : Disable AUXFANIN1 Beep fuction
3	<b>En AUXFANIN0_BP</b> 1 : Enable AUXFANIN0 Beep function 0 : Disable AUXFANIN0 Beep fuction
2	<b>En CPUFANIN_BP</b> 1 : Enable CPUFANIN Beep function 0 : Disable CPUFANIN Beep fuction
1	<b>En SYSFANIN_BP</b> 1 : Enable SYSFANIN Beep function 0 : Disable SYSFANIN Beep fuction
0	<b>Enable Beep Function:</b> 1 : Enable Beep Function 0 : Disable Beep Fuction

**9.52 SYSFAN Monitor Temperature Source Select Register/ STOPDUTY Enable Register – Index 00h (Bank 1)**

Attribute: Read/Write

Size: 8 bits

BIT	7	6	5	4	3	2	1	0
<b>NAME</b>	Stopduty_En	Reserved			SYSFAN SOURCE[4:0]			
<b>DEFAULT</b>	0	0	0	0	0	0	0	1

BIT	DESCRIPTION
7	<b>Stopduty_En:</b> 0: FANOUT will decrease to zero value at most if necessary. 1: FANOUT will decrease to SYSFANOUT Stop Value (Bank1, index05h) at most if necessary.
6-5	<b>Reserved</b>
4-0	<b>SYSFAN Temperature Source Select:</b> <b>Bits</b> <b>4 3 2 1 0</b> 0 0 0 0 1: Select <b>SYSTIN</b> as SYSFAN monitoring source. (Default) 0 0 0 1 0: Select <b>CPUTIN</b> as SYSFAN monitoring source.

BIT	DESCRIPTION
	0 0 0 1 1: Select <b>AUXTIN</b> as SYSFAN monitoring source.
	0 0 1 0 0: Select <b>SMBUSMASTER 0</b> as SYSFAN monitoring source.
	0 0 1 0 1: Select <b>SMBUSMASTER 1</b> as SYSFAN monitoring source.
	0 0 1 1 0: Select <b>SMBUSMASTER 2</b> as SYSFAN monitoring source.
	0 0 1 1 1: Select <b>SMBUSMASTER 3</b> as SYSFAN monitoring source.
	0 1 0 0 0: Select <b>SMBUSMASTER 4</b> as SYSFAN monitoring source.
	0 1 0 0 1: Select <b>SMBUSMASTER 5</b> as SYSFAN monitoring source.
	0 1 0 1 0: Select <b>SMBUSMASTER 6</b> as SYSFAN monitoring source.
	0 1 0 1 1: Select <b>SMBUSMASTER 7</b> as SYSFAN monitoring source.
	0 1 1 0 0: Select <b>PECI Agent 0</b> as SYSFAN monitoring source.
	0 1 1 0 1: Select <b>PECI Agent 1</b> as SYSFAN monitoring source.
	0 1 1 1 0: Select <b>PCH_CHIP_CPU_MAX_TEMP</b> as SYSFAN monitoring source.
	0 1 1 1 1: Select <b>PCH_CHIP_TEMP</b> as SYSFAN monitoring source.
	1 0 0 0 0: Select <b>PCH_CPU_TEMP</b> as SYSFAN monitoring source.
	1 0 0 0 1: Select <b>PCH_MCH_TEMP</b> as SYSFAN monitoring source.
	1 0 0 1 0: Select <b>PCH_DIM0_TEMP</b> as SYSFAN monitoring source.
	1 0 0 1 1: Select <b>PCH_DIM1_TEMP</b> as SYSFAN monitoring source.
	1 0 1 0 0: Select <b>PCH_DIM2_TEMP</b> as SYSFAN monitoring source.
	1 0 1 0 1: Select <b>PCH_DIM3_TEMP</b> as SYSFAN monitoring source.
	1 0 1 1 0: Select <b>BYTE_TEMP</b> as SYSFAN monitoring source.

Note. If the temperature source is selecting to PECl, please set Bank0 Index AEh first for reading correct value

### 9.53 SYSFAN Target Temperature Register / SYSFANIN Target Speed\_L Register – Index 01h (Bank 1)

Attribute: Read/Write

Size: 8 bits

BIT	7	6	5	4	3	2	1	0
NAME	SYSTIN Target Temperature / SYSFANIN Target Speed_L							
DEFAULT	0	0	0	0	0	0	0	0

FUNCTION MODE		7	6	5	4	3	2	1	0
Thermal Cruise™	DESCRIPTION	SYSFAN Target Temperature							
Fan Speed Cruise™	DESCRIPTION	SYSFANIN Target Speed [7:0], associate index 0C [11:8]							

### 9.54 SYSFAN MODE Register / SYSFAN TOLERRANCE Register – Index 02h (Bank 1)

Attribute: Read/Write

Size: 8 bits

BIT	7	6	5	4	3	2	1	0
NAME	SYSFAN MODE				Tolerance of SYSFAN Target Temperature or SYSFANIN Target Speed			
DEFAULT	0	0	0	0	Reserved	0	0	0

BIT	DESCRIPTION
7-4	<b>SYSFANOUT Mode Select.</b> 0000: SYSFANOUT is in Manual Mode. (Default) 0001: SYSFANOUT is in Thermal Cruise Mode. 0010: SYSFANOUT is in Speed Cruise Mode. 0100: SYSFANOUT is in SMART FAN IV Mode.
3	<b>Reserved</b>
2-0	Tolerance of SYSFAN Target Temperature or SYSFANIN Target Speed_L.

### 9.55 SYSFANOUT Step Up Time Register – Index 03h (Bank 1)

Attribute: Read/Write

Size: 8 bits

BIT	7	6	5	4	3	2	1	0
<b>NAME</b>	<b>SYSFANOUT Value Step Up Time</b>							
<b>DEFAULT</b>	0	0	0	0	1	0	1	0

In SMART FAN™ mode, this register determines the amount of time SYSFANOUT takes to increase its value by one step.

(1) For PWM output:

The units are intervals of 0.1 second. The default time is 1 second.

(2) For DC output:

The units are intervals of 0.4 second. The default time is 4 seconds.

### 9.56 SYSFANOUT Step Down Time Register – Index 04h (Bank 1)

Attribute: Read/Write

Size: 8 bits

BIT	7	6	5	4	3	2	1	0
<b>NAME</b>	<b>SYSFANOUT Value Step Down Time</b>							
<b>DEFAULT</b>	0	0	0	0	1	0	1	0

In SMART FAN™ mode, this register determines the amount of time SYSFANOUT takes to decrease its value by one step.

(1) For PWM output:

The units are intervals of 0.1 second. The default time is 1 second.

(2) For DC output:

The units are intervals of 0.4 second. The default time is 4 seconds.

### 9.57 SYSFANOUT Stop Value Register – Index 05h (Bank 1)

Attribute: Read/Write

Size: 8 bits

BIT	7	6	5	4	3	2	1	0
-----	---	---	---	---	---	---	---	---

<b>NAME</b>	<b>SYSFANOUT Stop Value</b>							
<b>DEFAULT</b>	0	0	0	0	0	0	0	1

In Thermal Cruise mode, the SYSFANOUT value decreases to this eight-bit value if the temperature stays below the lowest temperature limit. This value should not be zero.

Please note that Stop Value does not mean that the fan really stops. It means that if the temperature keeps below low temperature limit, then the fan speed keeps on decreasing until reaching a minimum value, and this is Stop Value.

### 9.58 SYSFANOUT Start-up Value Register – Index 06h (Bank 1)

Attribute: Read/Write

Size: 8 bits

<b>BIT</b>	7	6	5	4	3	2	1	0
<b>NAME</b>	<b>SYSFANOUT Start-Up Value</b>							
<b>DEFAULT</b>	0	0	0	0	0	0	0	1

In Thermal Cruise mode, SYSFANOUT value increases from zero to this eight-bit register value to provide a minimum value to turn on the fan.

### 9.59 SYSFANOUT Stop Time Register – Index 07h (Bank 1)

Attribute: Read/Write

Size: 8 bits

<b>BIT</b>	7	6	5	4	3	2	1	0
<b>NAME</b>	<b>SYSFANOUT Value Step Down Time</b>							
<b>DEFAULT</b>	0	0	1	1	1	1	0	0

In SMART FAN™ mode, this register determines the amount of time SYSFANOUT takes to decrease its value by one step.

(1) For PWM output:

The units are intervals of 0.1 second. The default time is 1 second.

(2) For DC output:

The units are intervals of 0.4 second. The default time is 4 seconds.

### 9.60 Reserved Register – Index 08h (Bank 1)

### 9.61 SYSFANOUT Output Value Select Register – Index 09h (Bank 1)

Attribute: Read/Write

Size: 8 bits

<b>BIT</b>	7	6	5	4	3	2	1	0
<b>NAME</b>	<b>SYSFANOUT Value</b>							
<b>DEFAULT</b>	1	1	1	1	1	1	1	1

<b>FUNCTION MODE</b>		<b>7</b>	<b>6</b>	<b>5</b>	<b>4</b>	<b>3</b>	<b>2</b>	<b>1</b>	<b>0</b>
----------------------	--	----------	----------	----------	----------	----------	----------	----------	----------

PWM Output (Bank0, Index 04h, bit 0 is 0)	<b>DESCRIPTION</b>	The PWM duty cycle is equal to this eight-bit value, divided by 255, times 100%. FFh creates a duty cycle of 100%, and 00h creates a duty cycle of 0%.	
DC Voltage Output Bank0, Index 04h, bit 0 is 1)	<b>DESCRIPTION</b>	SYSFANOUT voltage control. The output voltage is calculated according to this equation. $\text{OUTPUT Voltage} = V_{ref} * \frac{FANOUT}{64}$ Note. VREF is approx 2.048V.	Reserved

### 9.62 SYSFANIN Tolerance\_H / Target Speed\_H Register – Index 0Ch (Bank 1)

Attribute: Read/Write

Size: 8 bits

BIT	7	6	5	4	3	2	1	0
<b>NAME</b>	Reserved	SYSFANIN TOL_H			SYSFANIN Target Speed_H			
<b>DEFAULT</b>	0	0			0			

BIT	DESCRIPTION
7	Reserved
6-4	SYSFANIN Tolerance_H [5:3]
3-0	SYSFANIN Target Speed_H [11:8]

### 9.63 Reserved Register – Index 0Dh (Bank 1)

### 9.64 SMART FAN IV SYSFANOUT STEP Register – Index 20h (Bank 1)

Attribute: Read/Write

Size: 8 bits

BIT	7	6	5	4	3	2	1	0
<b>NAME</b>	Reserved							En_SYSFANOUT_STEP
<b>DEFAULT</b>	0	0	0	0	0	0	0	0

BIT	DESCRIPTION
7-1	Reserved
0	<b>En_SYSFANOUT_STEP</b> 0: Disable SMART FAN IV has Stepping SYSFANOUT. (default) 1: Enable SMART FAN IV has Stepping SYSFANOUT.

### 9.65 SYSFAN (SMART FAN™ IV) Temperature 1 Register(T1) – Index 21h (Bank 1)

Attribute: Read/Write

Size: 8 bits

<b>BIT</b>	7	6	5	4	3	2	1	0
<b>NAME</b>	SYSFAN (SMART FAN™ IV) Temperature 1							
<b>DEFAULT</b>	0	0	0	1	1	0	0	1

<b>BIT</b>	<b>DESCRIPTION</b>
7-0	SYSFAN (SMART FAN™ IV) Temperature 1 Register (T1).

### 9.66 SYSFAN (SMART FAN™ IV) Temperature 2 Register(T2) – Index 22h (Bank 1)

Attribute: Read/Write

Size: 8 bits

<b>BIT</b>	7	6	5	4	3	2	1	0
<b>NAME</b>	SYSFAN (SMART FAN™ IV) Temperature 2							
<b>DEFAULT</b>	0	0	1	0	0	1	1	0

<b>BIT</b>	<b>DESCRIPTION</b>
7-0	SYSFAN (SMART FAN™ IV) Temperature 2 Register (T2).

### 9.67 SYSFAN (SMART FAN™ IV) Temperature 3 Register(T3) – Index 23h (Bank 1)

Attribute: Read/Write

Size: 8 bits

<b>BIT</b>	7	6	5	4	3	2	1	0
<b>NAME</b>	SYSFAN (SMART FAN™ IV) Temperature 3							
<b>DEFAULT</b>	0	0	1	0	1	1	0	1

<b>BIT</b>	<b>DESCRIPTION</b>
7-0	SYSFAN (SMART FAN™ IV) Temperature 3 Register (T3).

### 9.68 SYSFAN (SMART FAN™ IV) Temperature 4 Register(T4) – Index 24h (Bank 1)

Attribute: Read/Write

Size: 8 bits

<b>BIT</b>	7	6	5	4	3	2	1	0
<b>NAME</b>	SYSFAN (SMART FAN™ IV) Temperature 4							
<b>DEFAULT</b>	0	0	1	1	0	1	1	1

<b>BIT</b>	<b>DESCRIPTION</b>
7-0	SYSFAN (SMART FAN™ IV) Temperature 4 Register (T4).

### 9.69 SYSFAN (SMART FAN™ IV) DC/PWM 1 Register – Index 27h (Bank 1)

Attribute: Read/Write

Size: 8 bits

<b>BIT</b>	7	6	5	4	3	2	1	0
<b>NAME</b>	SYSFAN (SMART FAN™ IV) DC/PWM 1							
<b>DEFAULT</b>	1	0	0	0	1	1	0	0

<b>BIT</b>	<b>DESCRIPTION</b>
7-0	SYSFAN (SMART FAN™ IV) DC/PWM 1 Register.

### 9.70 SYSFAN (SMART FAN™ IV) DC/PWM 2 Register – Index 28h (Bank 1)

Attribute: Read/Write

Size: 8 bits

<b>BIT</b>	7	6	5	4	3	2	1	0
<b>NAME</b>	SYSFAN (SMART FAN™ IV) DC/PWM 2							
<b>DEFAULT</b>	1	0	1	0	1	0	1	0

<b>BIT</b>	<b>DESCRIPTION</b>
7-0	SYSFAN (SMART FAN™ IV) DC/PWM 2 Register.

### 9.71 SYSFAN (SMART FAN™ IV) DC/PWM 3 Register – Index 29h (Bank 1)

Attribute: Read/Write

Size: 8 bits

<b>BIT</b>	7	6	5	4	3	2	1	0
<b>NAME</b>	SYSFAN (SMART FAN™ IV) DC/PWM 3							
<b>DEFAULT</b>	1	1	0	0	1	0	0	0

<b>BIT</b>	<b>DESCRIPTION</b>
7-0	SYSFAN (SMART FAN™ IV) DC/PWM 3 Register.

### 9.72 SYSFAN (SMART FAN™ IV) DC/PWM 4 Register – Index 2Ah (Bank 1)

Attribute: Read/Write

Size: 8 bits

<b>BIT</b>	7	6	5	4	3	2	1	0
<b>NAME</b>	SYSFAN (SMART FAN™ IV) DC/PWM 4							
<b>DEFAULT</b>	1	1	1	0	0	1	1	0

<b>BIT</b>	<b>DESCRIPTION</b>
7-0	SYSFAN (SMART FAN™ IV) DC/PWM 4 Register.

### 9.73 Reserved Register – Index 2Bh~30h (Bank 1)

**9.74 SYSFAN 3-Wire Enable Register – Index 31h (Bank 1)**

Attribute: Read Only  
 Size: 8 bits

BIT	7	6	5	4	3	2	1	0
NAME	Reserved							EN_SYS_3WFAN
DEFAULT	0							0

BIT	DESCRIPTION
7-1	Reserved
0	EN_SYS_3WFAN (SYSFAN type setting) 0: 4-wire fan 1: 3-wire fan

**9.75 Reserved Register – Index 32h ~ 34h(Bank 1)**

**9.76 SYSFAN (SMART FAN™ IV) Temperature Critical Register(TR) – Index 35h (Bank 1)**

Attribute: Read/Write  
 Size: 8 bits

BIT	7	6	5	4	3	2	1	0
NAME	SYSFAN (SMART FAN™ IV) Temperature Critical							
DEFAULT	0	0	1	1	1	1	0	0

BIT	DESCRIPTION
7-0	SYSFAN (SMART FAN™ IV) Temperature Critical Register (TR).

**9.77 Reserved Register – Index 36h ~ 37h (Bank 1)**

**9.78 SYSFANOUT Critical Temperature Tolerance Register – Index 38h (Bank 1)**

Attribute: Read/Write  
 Size: 8 bits

BIT	7	6	5	4	3	2	1	0
NAME	Reserved					SYSFANOUT Critical Temperature Tolerance		
DEFAULT	0					0		

BIT	DESCRIPTION
7-3	Reserved
2-0	SYSFANOUT Critical Temperature Tolerance



### 9.79 Weight value Configuration Register – Index 39h (Bank 1)

Attribute: Read/Write

Size: 8 bits

BIT	7	6	5	4	3	2	1	0	
NAME	EN_SYSFAN_WEIGHT	Reserved			SYS_WEIGHT_SEL				
DEFAULT	0	0			0	0	0	0	1

BIT	DESCRIPTION
7	<b>EN_SYSFAN_WEIGHT.</b> 0: Disable Weight Value Control for SYSFAN. 1: Enable Weight Value Control for SYSFAN.
6-5	<b>Reserved</b>
4-0	<b>SYSFAN Weighting Temperature Source Select:</b> <b>Bits</b> <b>4 3 2 1 0</b> 0 0 0 0 1: Select <b>SYSTIN</b> as SYSFAN monitoring source. (Default) 0 0 0 1 0: Select <b>CPUTIN</b> as SYSFAN monitoring source. 0 0 0 1 1: Select <b>AUXTIN</b> as SYSFAN monitoring source. 0 0 1 0 0: Select <b>SMBUSMASTER 0</b> as SYSFAN monitoring source. 0 0 1 0 1: Select <b>SMBUSMASTER 1</b> as SYSFAN monitoring source. 0 0 1 1 0: Select <b>SMBUSMASTER 2</b> as SYSFAN monitoring source. 0 0 1 1 1: Select <b>SMBUSMASTER 3</b> as SYSFAN monitoring source. 0 1 0 0 0: Select <b>SMBUSMASTER 4</b> as SYSFAN monitoring source. 0 1 0 0 1: Select <b>SMBUSMASTER 5</b> as SYSFAN monitoring source. 0 1 0 1 0: Select <b>SMBUSMASTER 6</b> as SYSFAN monitoring source. 0 1 0 1 1: Select <b>SMBUSMASTER 7</b> as SYSFAN monitoring source. 0 1 1 0 0: Select <b>PECI Agent 0</b> as SYSFAN monitoring source. 0 1 1 0 1: Select <b>PECI Agent 1</b> as SYSFAN monitoring source. 0 1 1 1 0: Select <b>PCH_CHIP_CPU_MAX_TEMP</b> as SYSFAN monitoring source. 0 1 1 1 1: Select <b>PCH_CHIP_TEMP</b> as SYSFAN monitoring source. 1 0 0 0 0: Select <b>PCH_CPU_TEMP</b> as SYSFAN monitoring source. 1 0 0 0 1: Select <b>PCH_MCH_TEMP</b> as SYSFAN monitoring source. 1 0 0 1 0: Select <b>PCH_DIM0_TEMP</b> as SYSFAN monitoring source. 1 0 0 1 1: Select <b>PCH_DIM1_TEMP</b> as SYSFAN monitoring source. 1 0 1 0 0: Select <b>PCH_DIM2_TEMP</b> as SYSFAN monitoring source. 1 0 1 0 1: Select <b>PCH_DIM3_TEMP</b> as SYSFAN monitoring source. 1 0 1 1 0: Select <b>BYTE_TEMP</b> as SYSFAN monitoring source.

### 9.80 SYSFANOUT Temperature Step Register – Index 3Ah (Bank 1)

Attribute: Read/Write

Size: 8 bits

BIT	7	6	5	4	3	2	1	0
NAME	SYSFANOUT Temperature Step (SYS_TEMP_STEP)							
DEFAULT	0							

BIT	DESCRIPTION
7-0	SYSFANOUT Temperature Step

### 9.81 SYSFANOUT Temperature Step Tolerance Register – Index 3Bh (Bank 1)

Attribute: Read/Write

Size: 8 bits

BIT	7	6	5	4	3	2	1	0
NAME	SYSFANOUT Temperature Step Tolerance (SYS_TEMP_STEP_TOL)							
DEFAULT	0							

BIT	DESCRIPTION
7-0	SYSFANOUT Temperature Step Tolerance

### 9.82 SYSFANOUT Weight Step Register – Index 3Ch (Bank 1)

Attribute: Read/Write

Size: 8 bits

BIT	7	6	5	4	3	2	1	0
NAME	SYSFANOUT Weight Step (SYS_WEIGHT_STEP)							
DEFAULT	0							

BIT	DESCRIPTION
7-0	SYSFANOUT Weight Step

### 9.83 SYSFANOUT Temperature Base Register – Index 3Dh (Bank 1)

Attribute: Read/Write

Size: 8 bits

BIT	7	6	5	4	3	2	1	0
NAME	SYSFANOUT Temperature Base (SYS_TEMP_BASE)							
DEFAULT	0							

BIT	DESCRIPTION
7-0	SYSFANOUT Temperature Base

### 9.84 SYSFANOUT Temperature Fan Duty Base Register – Index 3Eh (Bank 1)

Attribute: Read/Write

Size: 8 bits

BIT	7	6	5	4	3	2	1	0
-----	---	---	---	---	---	---	---	---

<b>NAME</b>	SYSFANOUT Temperature Base (SYS_FC_BASE)
<b>DEFAULT</b>	0

<b>BIT</b>	<b>DESCRIPTION</b>
7-0	SYSFANOUT Start point of Fan Duty increasing

**9.85 Reserved Register – Index 3Fh (Bank 1)**

**9.86 Reserved Register – Index 40h (Bank 1)**

**9.87 Reserved Register – Index 41h (Bank 1)**

**9.88 Reserved Register – Index 42h ~ 44h (Bank 1)**

**9.89 SYSFAN Maximum RPM (Low Byte) Register – Index 45h (Bank 1)**

Attribute: Read

Size: 8 bits

<b>BIT</b>	7	6	5	4	3	2	1	0
<b>NAME</b>	MAX_RPM_SYS_LSB							
<b>DEFAULT</b>	0	0	0	0	0	0	0	0

<b>BIT</b>	<b>DESCRIPTION</b>
7-0	SYSFAN Maximum RPM (Low Byte) register.

**9.90 SYSFAN Maximum RPM (High Byte) Register – Index 46h (Bank 1)**

Attribute: Read

Size: 8 bits

<b>BIT</b>	7	6	5	4	3	2	1	0
<b>NAME</b>	MAX_RPM_SYS_MSB							
<b>DEFAULT</b>	0	0	0	0	0	0	0	0

<b>BIT</b>	<b>DESCRIPTION</b>
7-0	SYSFAN Maximum RPM (High Byte) register.

**9.91 Reserved Register – Index 49h ~ 4Fh (Bank1)**

**9.92 SMIOVT2 Temperature Source (High Byte) Register – Index 50h (Bank 1)**

Attribute: Read Only

Size: 8 bits

<b>BIT</b>	7	6	5	4	3	2	1	0
------------	---	---	---	---	---	---	---	---

<b>NAME</b>	TEMP<8:1>
-------------	-----------

BIT	DESCRIPTION
7-0	<b>Temperature &lt;8:1&gt; (default: CPUTIN temperature source).</b> The nine-bit value is in units of 0.5°C.

### 9.93 SMIOVT2 Temperature Source (Low Byte) Register – Index 51h (Bank 1)

Attribute: Read Only

Size: 8 bits

<b>BIT</b>	7	6	5	4	3	2	1	0
<b>NAME</b>	TEMP<0>	RESERVED						

BIT	DESCRIPTION
7	<b>Temperature &lt;0&gt; (default: CPUTIN temperature source).</b> The nine-bit value is in units of 0.5°C.
6-0	<b>Reserved.</b>

### 9.94 SMIOVT2 Temperature Source Configuration Register – Index 52h (Bank 1)

Attribute: Read/Write

Size: 8 bits

<b>BIT</b>	7	6	5	4	3	2	1	0
<b>NAME</b>	RESERVED			FAULT		RESERVED	OVTMOD	STOP
<b>DEFAULT</b>	0	0	0	0	0	0	0	0

BIT	DESCRIPTION
7-5	<b>Reserved.</b> This bit should be set to zero.
4-3	<b>Fault.</b> Number of faults to detect before setting OVT# output. This avoids false strapping due to noise.
2	<b>Reserved.</b> This bit should be set to zero.
1	<b>OVTMOD. SMIOVT2 Mode Select.</b> 0 : Compare Mode. (Default) 1: Interrupt Mode.
0	<b>STOP.</b> 0: Monitor SMIOVT2 temperature source. 1: Stop monitoring SMIOVT2 temperature source.

### 9.95 SMIOVT2 Temperature Source Hysteresis (High Byte) Register – Index 53h (Bank 1)

Attribute: Read/Write

Size: 8 bits

<b>BIT</b>	7	6	5	4	3	2	1	0
<b>NAME</b>	THYST<8:1>							
<b>DEFAULT</b>	0	1	0	0	1	0	1	1

BIT	DESCRIPTION
7-0	<b>THYST&lt;8:1&gt;</b> . Hysteresis temperature bits 8-1. The nine-bit value is in units of 0.5°C, and the default is 75°C.

**9.96 SMIOVT2 Temperature Source Hysteresis (Low Byte) Register – Index 54h (Bank 1)**

Attribute: Read/Write

Size: 8 bits

BIT	7	6	5	4	3	2	1	0
NAME	THYST<0>	RESERVED						
DEFAULT	0	0	0	0	0	0	0	0

BIT	DESCRIPTION
7	<b>THYST&lt;0&gt;</b> . Hysteresis temperature bit 0. The nine-bit value is in units of 0.5°C.
6-0	Reserved.

**9.97 SMIOVT2 Temperature Source Over-temperature (High Byte) Register – Index 55h (Bank1)**

Attribute: Read/Write

Size: 8 bits

BIT	7	6	5	4	3	2	1	0
NAME	TOVF<8:1>							
DEFAULT	0	1	0	1	0	0	0	0

BIT	DESCRIPTION
7-0	<b>TOVF&lt;8:1&gt;</b> . Over-temperature bits 8-1. The nine-bit value is in units of 0.5°C, and the default is 80°C.

**9.98 SMIOVT2 Temperature Source Over-temperature (Low Byte) Register – Index 56h (Bank 1)**

Attribute: Read/Write

Size: 8 bits

BIT	7	6	5	4	3	2	1	0
NAME	TOVF<0>	RESERVED						
DEFAULT	0	0	0	0	0	0	0	0

BIT	DESCRIPTION
7	<b>TOVF&lt;0&gt;</b> . Over-temperature bit 0. The nine-bit value is in units of 0.5°C.
6-0	Reserved.

9.99 Reserved Register – Index 57h ~ 7Fh (Bank 1)

9.100 CPUFAN Monitor Temperature Source Select Register/ STOPDUTY Enable Register – Index 00h (Bank 2)

Attribute: Read/Write

Size: 8 bits

BIT	7	6	5	4	3	2	1	0
NAME	Stopduty_En	Reserved			CPUFAN SOURCE[4:0]			
DEFAULT	0	0	0	0	0	0	1	0

BIT	DESCRIPTION
7	<p><b>Stopduty_En:</b>                      0: FANOUT will decrease to zero value at most if necessary.                      1: FANOUT will decrease to CPUFANOUT Stop Value (Bank2, index05h) at most if necessary.</p>
6-5	Reserved
4-0	<p><b>CPUFAN Temperature Source Select:</b>  <b>Bits</b>  <b>4 3 2 1 0</b>                      0 0 0 0 1: Select <b>SYSTIN</b> as CPUFAN monitoring source.                      0 0 0 1 0: Select <b>CPUTIN</b> as CPUFAN monitoring source. (Default)                      0 0 0 1 1: Select <b>AUXTIN</b> as CPUFAN monitoring source.                      0 0 1 0 0: Select <b>SMBUSMASTER 0</b> as CPUFAN monitoring source.                      0 0 1 0 1: Select <b>SMBUSMASTER 1</b> as CPUFAN monitoring source.                      0 0 1 1 0: Select <b>SMBUSMASTER 2</b> as CPUFAN monitoring source.                      0 0 1 1 1: Select <b>SMBUSMASTER 3</b> as CPUFAN monitoring source.                      0 1 0 0 0: Select <b>SMBUSMASTER 4</b> as CPUFAN monitoring source.                      0 1 0 0 1: Select <b>SMBUSMASTER 5</b> as CPUFAN monitoring source.                      0 1 0 1 0: Select <b>SMBUSMASTER 6</b> as CPUFAN monitoring source.                      0 1 0 1 1: Select <b>SMBUSMASTER 7</b> as CPUFAN monitoring source.                      0 1 1 0 0: Select <b>PECI Agent 0</b> as CPUFAN monitoring source.                      0 1 1 0 1: Select <b>PECI Agent 1</b> as CPUFAN monitoring source.                      0 1 1 1 0: Select <b>PCH_CHIP_CPU_MAX_TEMP</b> as CPUFAN monitoring source.                      0 1 1 1 1: Select <b>PCH_CHIP_TEMP</b> as CPUFAN monitoring source.                      1 0 0 0 0: Select <b>PCH_CPU_TEMP</b> as CPUFAN monitoring source.                      1 0 0 0 1: Select <b>PCH_MCH_TEMP</b> as CPUFAN monitoring source.                      1 0 0 1 0: Select <b>PCH_DIM0_TEMP</b> as CPUFAN monitoring source.                      1 0 0 1 1: Select <b>PCH_DIM1_TEMP</b> as CPUFAN monitoring source.                      1 0 1 0 0: Select <b>PCH_DIM2_TEMP</b> as CPUFAN monitoring source.                      1 0 1 0 1: Select <b>PCH_DIM3_TEMP</b> as CPUFAN monitoring source.                      1 0 1 1 0: Select <b>BYTE_TEMP</b> as CPUFAN monitoring source.</p>

Note. If the temperature source is selecting to PECEI, please set Bank0 Index AEh first for reading correct value.

### 9.101 CPUFAN Target Temperature Register / CPUFANIN Target Speed\_L Register – Index 01h (Bank 2)

Attribute: Read/Write

Size: 8 bits

BIT	7	6	5	4	3	2	1	0
NAME	CPUFAN Target Temperature / CPUFANIN Target Speed_L							
DEFAULT	0	0	0	0	0	0	0	0

FUNCTION MODE		7	6	5	4	3	2	1	0
Thermal Cruise™	DESCRIPTION	CPUFAN Target Temperature							
Fan Speed Cruise™	DESCRIPTION	CPUFANIN Target Speed [7:0], associate index 0C [11:8]							

### 9.102 CPUFAN MODE Register / CPUFAN TOLERANCE Register – Index 02h (Bank 2)

Attribute: Read/Write

Size: 8 bits

BIT	7	6	5	4	3	2	1	0
NAME	CPUFAN MODE				Tolerance of CPUFAN Target Temperature or CPUFANIN Target Speed			
DEFAULT	0	0	0	0	Reserved	0	0	0

BIT	DESCRIPTION
7-4	<b>CPUFANOUT Mode Select.</b> 0000: CPUFANOUT is in Manual Mode. (Default) 0001: CPUFANOUT is in Thermal Cruise Mode. 0010: CPUFANOUT is in Speed Cruise Mode. 0100: CPUFANOUT is in SMART FAN IV Mode.
3	<b>Reserved</b>
2-0	Tolerance of CPUFAN Target Temperature or CPUFANIN Target_L Speed.

### 9.103 CPUFANOUT Step Up Time Register – Index 03h (Bank 2)

Attribute: Read/Write

Size: 8 bits

BIT	7	6	5	4	3	2	1	0
NAME	CPUFANOUT Value Step Up Time							
DEFAULT	0	0	0	0	1	0	1	0

In SMART FAN™ mode, this register determines the amount of time CPUFANOUT takes to increase its value by one step.

(1) For PWM output:

The units are intervals of 0.1 second. The default time is 1 second.

(2) For DC output:

The units are intervals of 0.4 second. The default time is 4 seconds.

### 9.104 CPUFANOUT Step Down Time Register – Index 04h (Bank 2)

Attribute: Read/Write

Size: 8 bits

BIT	7	6	5	4	3	2	1	0
NAME	CPUFANOUT Value Step Down Time							
DEFAULT	0	0	0	0	1	0	1	0

In SMART FAN™ mode, this register determines the amount of time CPUFANOUT takes to decrease its value by one step.

(1) For PWM output:

The units are intervals of 0.1 second. The default time is 1 second.

(2) For DC output:

The units are intervals of 0.4 second. The default time is 4 seconds.

### 9.105 CPUFANOUT Stop Value Register – Index 05h (Bank 2)

Attribute: Read/Write

Size: 8 bits

BIT	7	6	5	4	3	2	1	0
NAME	CPUFANOUT Stop Value							
DEFAULT	0	0	0	0	0	0	0	1

In Thermal Cruise mode, the CPUFANOUT value decreases to this eight-bit value if the temperature stays below the lowest temperature limit. This value should not be zero.

Please note that Stop Value does not mean that the fan really stops. It means that if the temperature keeps below low temperature limit, then the fan speed keeps on decreasing until reaching a minimum value, and this is Stop Value.

### 9.106 CPUFANOUT Start-up Value Register – Index 06h (Bank 2)

Attribute: Read/Write

Size: 8 bits

BIT	7	6	5	4	3	2	1	0
NAME	CPUFANOUT Start-Up Value							
DEFAULT	0	0	0	0	0	0	0	1

In Thermal Cruise mode, CPUFANOUT value increases from zero to this eight-bit register value to provide a minimum value to turn on the fan.



### 9.107 CPUFANOUT Stop Time Register – Index 07h (Bank 2)

Attribute: Read/Write  
 Size: 8 bits

BIT	7	6	5	4	3	2	1	0
NAME	CPUFANOUT Value Step Down Time							
DEFAULT	0	0	1	1	1	1	0	0

In SMART FAN™ mode, this register determines the amount of time CPUFANOUT takes to decrease its value by one step.

(1) For PWM output:

The units are intervals of 0.1 second. The default time is 1 second.

(2) For DC output:

The units are intervals of 0.4 second. The default time is 4 seconds.

### 9.108 Reserved Register – Index 08h (Bank 2)

### 9.109 CPUFANOUT Output Value Select Register – Index 09h (Bank 2)

Attribute: Read/Write  
 Size: 8 bits

BIT	7	6	5	4	3	2	1	0
NAME	CPUFANOUT Value							
DEFAULT	Depends on strapping pin – Pin.34 FAN_SET							

FUNCTION MODE		7	6	5	4	3	2	1	0
PWM Output (Bank0, Index 04h, bit 0 is 0)	DESCRIPTION	The PWM duty cycle is equal to this eight-bit value, divided by 255, times 100%. FFh creates a duty cycle of 100%, and 00h creates a duty cycle of 0%.							
DC Voltage Output Bank0, Index 04h, bit 0 is 1)	DESCRIPTION	CPUFANOUT voltage control. The output voltage is calculated according to this equation. $\text{OUTPUT Voltage} = V_{ref} * \frac{FANOUT}{64}$ Note. VREF is approx 2.048V.						Reserved	

### 9.110 CPUFANIN Tolerance\_H / Target Speed\_H Register – Index 0Ch (Bank 2)

Attribute: Read/Write  
 Size: 8 bits

BIT	7	6	5	4	3	2	1	0
NAME	Reserved	CPUFANIN TOL_H			CPUFANIN Target Speed_H			
DEFAULT	0	0			0			

BIT	DESCRIPTION
7	Reserved
6-4	CPUFANIN Tolerance_H [5:3]
3-0	CPUFANIN Target Speed_H [11:8]

**9.111 Reserved Register – Index 0Dh (Bank 2)**

**9.112 SMART FAN IV CPUFANOUT STEP Register – Index 20h (Bank 2)**

Attribute: Read/Write

Size: 8 bits

BIT	7	6	5	4	3	2	1	0
NAME	Reserved							En_CPUFANOUT_STEP
DEFAULT	0	0	0	0	0	0	0	0

BIT	DESCRIPTION
7-1	Reserved
0	<b>En_CPUFANOUT_STEP</b> 0: Disable SMART FAN IV has Stepping CPUFANOUT. (default) 1: Enable SMART FAN IV has Stepping CPUFANOUT.

**9.113 CPUFAN (SMART FAN™ IV) Temperature 1 Register(T1) – Index 21h (Bank 2)**

Attribute: Read/Write

Size: 8 bits

BIT	7	6	5	4	3	2	1	0
NAME	CPUFAN (SMART FAN™ IV) Temperature 1							
DEFAULT	0	0	1	0	1	0	0	0

BIT	DESCRIPTION
7-0	CPUFAN (SMART FAN™ IV) Temperature 1 Register (T1).

**9.114 CPUFAN (SMART FAN™ IV) Temperature 2 Register(T2) – Index 22h (Bank 2)**

Attribute: Read/Write

Size: 8 bits

BIT	7	6	5	4	3	2	1	0
NAME	CPUFAN (SMART FAN™ IV) Temperature 2							
DEFAULT	0	0	1	1	0	0	1	0

BIT	DESCRIPTION
7-0	CPUFAN (SMART FAN™ IV) Temperature 2 Register (T2).

**9.115 CPUFAN (SMART FAN™ IV) Temperature 3 Register(T3) – Index 23h (Bank 2)**

Attribute: Read/Write

Size: 8 bits

BIT	7	6	5	4	3	2	1	0
NAME	CPUFAN (SMART FAN™ IV) Temperature 3							
DEFAULT	0	0	1	1	1	1	0	0

BIT	DESCRIPTION
7-0	CPUFAN (SMART FAN™ IV) Temperature 3 Register (T3).

**9.116 CPUFAN (SMART FAN™ IV) Temperature 4 Register(T4) – Index 24h (Bank 2)**

Attribute: Read/Write

Size: 8 bits

BIT	7	6	5	4	3	2	1	0
NAME	CPUFAN (SMART FAN™ IV) Temperature 4							
DEFAULT	0	1	0	0	0	1	1	0

BIT	DESCRIPTION
7-0	CPUFAN (SMART FAN™ IV) Temperature 4 Register (T4).

**9.117 CPUFAN (SMART FAN™ IV) DC or DUTY\_SMF4 PWM1 Register – Index 27h (Bank 2)**

Attribute: Read/Write

Size: 8 bits

BIT	7	6	5	4	3	2	1	0
NAME	CPUFAN (SMART FAN™ IV) DC/ DUTY_SMF4 PWM 1							
DEFAULT	1	0	0	0	1	1	0	0

BIT	DESCRIPTION
7-0	CPUFAN (SMART FAN™ IV) DC/ DUTY_SMF4 PWM1 Register.

**9.118 CPUFAN (SMART FAN™ IV) DC or DUTY\_SMF4 PWM2 Register – Index 28h (Bank 2)**

Attribute: Read/Write

Size: 8 bits

BIT	7	6	5	4	3	2	1	0
NAME	CPUFAN (SMART FAN™ IV) DC/DUTY_SMF4 PWM 2							
DEFAULT	1	0	1	0	1	0	1	0

BIT	DESCRIPTION
-----	-------------

7-0	CPUFAN (SMART FAN™ IV) DC/DUTY_SMF4 PWM2 Register.
-----	--

**9.119 CPUFAN (SMART FAN™ IV) DC or DUTY\_SMF4 PWM3 Register – Index 29h (Bank 2)**

Attribute: Read/Write

Size: 8 bits

BIT	7	6	5	4	3	2	1	0
NAME	CPUFAN (SMART FAN™ IV) DC/ DUTY_SMF4 PWM 3							
DEFAULT	1	1	0	0	1	0	0	0

BIT	DESCRIPTION
7-0	CPUFAN (SMART FAN™ IV) DC/DUTY_SMF4 PWM3 Register.

**9.120 CPUFAN (SMART FAN™ IV) DC or DUTY\_SMF4 PWM4 Register – Index 2Ah (Bank 2)**

Attribute: Read/Write

Size: 8 bits

BIT	7	6	5	4	3	2	1	0
NAME	CPUFAN (SMART FAN™ IV) DC/ DUTY_SMF4 PWM4							
DEFAULT	1	1	1	0	0	1	1	0

BIT	DESCRIPTION
7-0	CPUFAN (SMART FAN™ IV) DC/DUTY_SMF4 PWM4 Register.

**9.121 Reserved Register – Index 2Dh~ 30h (Bank 2)**

**9.122 CPUFAN 3-Wire FAN Enable Register – Index 31h (Bank 2)**

Attribute: Read Only

Size: 8 bits

BIT	7	6	5	4	3	2	1	0
NAME	Reserved							EN_CPU_3WFAN
DEFAULT	0							0

BIT	DESCRIPTION
7-1	Reserved
0	EN_CPU_3WFAN (CPUFAN type setting) 0: 4-wire fan 1: 3-wire fan

**9.123 Reserved Register – Index 32h ~ 34h(Bank 2)**

**9.124 CPUFAN (SMART FAN™ IV) Temperature Critical Register(TR) – Index 35h (Bank 2)**

Attribute: Read/Write  
 Size: 8 bits

BIT	7	6	5	4	3	2	1	0
NAME	CPUFAN (SMART FAN™ IV) Temperature Critical							
DEFAULT	0	1	0	0	1	0	1	1

BIT	DESCRIPTION
7-0	CPUFAN (SMART FAN™ IV) Temperature Critical Register (TR).

**9.125 Reserved Register – Index 36h ~ 37h (Bank 2)**

**9.126 CPUFANOUT Critical Temperature Tolerance Register – Index 38h (Bank 2)**

Attribute: Read/Write  
 Size: 8 bits

BIT	7	6	5	4	3	2	1	0
NAME	Reserved				CPUFANOUT Critical Temperature Tolerance			
DEFAULT	0				0	0	0	0

BIT	DESCRIPTION
7-4	Reserved
3-0	CPUFANOUT Critical Temperature Tolerance

**9.127 Weight value Configuration Register – Index 39h (Bank 2)**

Attribute: Read/Write  
 Size: 8 bits

BIT	7	6	5	4	3	2	1	0	
NAME	EN_CPUFAN_WEIGHT	Reserved			CPU_WEIGHT_SEL				
DEFAULT	0	0			0	0	0	0	1

BIT	DESCRIPTION
7	<b>EN_CPUFAN_WEIGHT.</b> 0: Disable Weight Value Control for CPUFAN. 1: Enable Weight Value Control for CPUFAN.
6-5	Reserved
4-0	<b>CPUFAN Weighting Temperature Source Select:</b> Bits 4 3 2 1 0

BIT	DESCRIPTION
0 0 0 0 1:	Select <b>SYSTIN</b> as CPUFAN monitoring source. (Default)
0 0 0 1 0:	Select <b>CPUTIN</b> as CPUFAN monitoring source.
0 0 0 1 1:	Select <b>AUXTIN</b> as CPUFAN monitoring source.
0 0 1 0 0:	Select <b>SMBUSMASTER</b> as CPUFAN monitoring source.
0 0 1 0 0:	Select <b>SMBUSMASTER 0</b> as CPUFAN monitoring source.
0 0 1 0 1:	Select <b>SMBUSMASTER 1</b> as CPUFAN monitoring source.
0 0 1 1 0:	Select <b>SMBUSMASTER 2</b> as CPUFAN monitoring source.
0 0 1 1 1:	Select <b>SMBUSMASTER 3</b> as CPUFAN monitoring source.
0 1 0 0 0:	Select <b>SMBUSMASTER 4</b> as CPUFAN monitoring source.
0 1 0 0 1:	Select <b>SMBUSMASTER 5</b> as CPUFAN monitoring source.
0 1 0 1 0:	Select <b>SMBUSMASTER 6</b> as CPUFAN monitoring source.
0 1 0 1 1:	Select <b>SMBUSMASTER 7</b> as CPUFAN monitoring source.
0 1 1 0 0:	Select <b>PECI Agent 0</b> as CPUFAN monitoring source.
0 1 1 0 1:	Select <b>PECI Agent 1</b> as CPUFAN monitoring source.
0 1 1 1 0:	Select <b>PCH_CHIP_CPU_MAX_TEMP</b> as CPUFAN monitoring source.
0 1 1 1 1:	Select <b>PCH_CHIP_TEMP</b> as CPUFAN monitoring source.
1 0 0 0 0:	Select <b>PCH_CPU_TEMP</b> as CPUFAN monitoring source.
1 0 0 0 1:	Select <b>PCH_MCH_TEMP</b> as CPUFAN monitoring source.
1 0 0 1 0:	Select <b>PCH_DIM0_TEMP</b> as CPUFAN monitoring source.
1 0 0 1 1:	Select <b>PCH_DIM1_TEMP</b> as CPUFAN monitoring source.
1 0 1 0 0:	Select <b>PCH_DIM2_TEMP</b> as CPUFAN monitoring source.
1 0 1 0 1:	Select <b>PCH_DIM3_TEMP</b> as CPUFAN monitoring source.
1 0 1 1 0:	Select <b>BYTE_TEMP</b> as CPUFAN monitoring source.

### 9.128 CPUFANOUT Temperature Step Register – Index 3Ah (Bank 2)

Attribute: Read/Write

Size: 8 bits

BIT	7	6	5	4	3	2	1	0
BIT	CPUFANOUT Temperature Step (CPU_TEMP_STEP)							
DEFAULT	0							

BIT	DESCRIPTION
7-0	CPUFANOUT Temperature Step

### 9.129 CPUFANOUT Temperature Step Tolerance Register – Index 3Bh (Bank 2)

Attribute: Read/Write

Size: 8 bits

BIT	7	6	5	4	3	2	1	0
BIT	CPUFANOUT Temperature Step Tolerance (CPU_TEMP_STEP_TOL)							
DEFAULT	0							

BIT	DESCRIPTION
-----	-------------

7-0	<b>CPUFANOUT Temperature Step Tolerance</b>
-----	---

**9.130 CPUFANOUT Weight Step Register – Index 3Ch (Bank 2)**

Attribute: Read/Write

Size: 8 bits

<b>BIT</b>	7	6	5	4	3	2	1	0
<b>BIT</b>	CPUFANOUT Weight Step (CPU_WEIGHT_STEP)							
<b>DEFAULT</b>	0							

<b>BIT</b>	<b>DESCRIPTION</b>
7-0	<b>CPUFANOUT Weight Step</b>

**9.131 CPUFANOUT Temperature Base Register – Index 3Dh (Bank 2)**

Attribute: Read/Write

Size: 8 bits

<b>BIT</b>	7	6	5	4	3	2	1	0
<b>NAME</b>	CPUFANOUT Temperature Base (CPU_TEMP_BASE)							
<b>DEFAULT</b>	0							

<b>BIT</b>	<b>DESCRIPTION</b>
7-0	<b>CPUFANOUT Temperature Base</b>

**9.132 CPUFANOUT Temperature Fan Duty Base Register – Index 3Eh (Bank 2)**

Attribute: Read/Write

Size: 8 bits

<b>BIT</b>	7	6	5	4	3	2	1	0
<b>NAME</b>	CPUFANOUT Temperature Base (CPU_FC_BASE)							
<b>DEFAULT</b>	0							

<b>BIT</b>	<b>DESCRIPTION</b>
7-0	<b>CPUFANOUT Start point of Fan Duty increasing</b>

**9.133 Reserved Register – Index 3Fh (Bank 2)**

**9.134 Reserved Register – Index 40h (Bank 2)**

**9.135 Reserved Register – Index 41h (Bank 2)**

**9.136 Reserved Register – Index 42h ~ 44h (Bank 2)**

**9.137 CPUFAN Maximum RPM (Low Byte) Register – Index 45h (Bank 2)**

Attribute: Read  
 Size: 8 bits

<b>BIT</b>	7	6	5	4	3	2	1	0
<b>NAME</b>	<b>MAX_RPM_CPU_LSB</b>							
<b>DEFAULT</b>	0	0	0	0	0	0	0	0

<b>BIT</b>	<b>DESCRIPTION</b>
7-0	<b>CPUFAN Maximum RPM (Low Byte) register.</b>

**9.138 CPUFAN Maximum RPM (High Byte) Register – Index 46h (Bank 2)**

Attribute: Read  
 Size: 8 bits

<b>BIT</b>	7	6	5	4	3	2	1	0
<b>NAME</b>	<b>MAX_RPM_CPU_MSB</b>							
<b>DEFAULT</b>	0	0	0	0	0	0	0	0

<b>BIT</b>	<b>DESCRIPTION</b>
7-0	<b>CPUFAN Maximum RPM (High Byte) register.</b>

**9.139 Reserved Register – Index 49h ~ 4Fh (Bank2)**

**9.140 SMIOVT3 Temperature Source (High Byte) Register – Index 50h (Bank 2)**

Attribute: Read Only  
 Size: 8 bits

<b>BIT</b>	7	6	5	4	3	2	1	0
<b>NAME</b>	<b>TEMP&lt;8:1&gt;</b>							

<b>BIT</b>	<b>DESCRIPTION</b>
7-0	<b>TEMP&lt;8:1&gt; (default: AUXTIN temperature source). The nine-bit value is in units of 0.5°C.</b>

**9.141 SMIOVT3 Temperature Source (Low Byte) Register – Index 51h (Bank 2)**

Attribute: Read Only  
 Size: 8 bits

<b>BIT</b>	7	6	5	4	3	2	1	0
<b>NAME</b>	<b>TEMP&lt;0&gt;</b>	<b>RESERVED</b>						

<b>BIT</b>	<b>DESCRIPTION</b>
------------	--------------------



BIT	DESCRIPTION
7	<b>Temperature &lt;0&gt; (default: AUXTIN temperature source).</b> The nine-bit value is in units of 0.5°C.
6-0	<b>Reserved.</b>

### 9.142 SMIOVT3 Temperature Source Configuration Register – Index 52h (Bank 2)

Attribute: Read/Write

Size: 8 bits

BIT	7	6	5	4	3	2	1	0
<b>NAME</b>	RESERVED			FAULT		RESERVED	OVTMOD	STOP
<b>DEFAULT</b>	0	0	0	0	0	0	0	0

BIT	DESCRIPTION
7-5	<b>Reserved.</b> This bit should be set to zero.
4-3	<b>Fault.</b> Number of faults to detect before setting OVT# output. This avoids false strapping due to noise.
2	<b>Reserved.</b> This bit should be set to zero.
1	<b>OVTMOD. SMIOVT3 Mode Select.</b> 0: Compare Mode. (Default) 1: Interrupt Mode.
0	<b>STOP.</b> 0: Monitor SMIOVT3 temperature source. 1: Stop monitoring SMIOVT3 temperature source.

### 9.143 SMIOVT3 Temperature Source Hysteresis (High Byte) Register – Index 53h (Bank 2)

Attribute: Read/Write

Size: 8 bits

BIT	7	6	5	4	3	2	1	0
<b>NAME</b>	THYST<8:1>							
<b>DEFAULT</b>	0	1	0	0	1	0	1	1

BIT	DESCRIPTION
7-0	<b>THYST&lt;8:1&gt;.</b> Hysteresis temperature bits 8-1. The nine-bit value is in units of 0.5°C, and the default is 75°C.

### 9.144 SMIOVT3 Temperature Source Hysteresis (Low Byte) Register – Index 54h (Bank 2)

Attribute: Read/Write

Size: 8 bits

BIT	7	6	5	4	3	2	1	0
<b>NAME</b>	THYST<0>	RESERVED						
<b>DEFAULT</b>	0	0	0	0	0	0	0	0

BIT	DESCRIPTION
7	THYST<0>. Hysteresis temperature, bit 0. The nine-bit value is in units of 0.5°C.
6-0	Reserved.

**9.145 SMIOVT3 Temperature Source Over-temperature (High Byte) Register – Index 55h (Bank 2)**

Attribute: Read/Write

Size: 8 bits

BIT	7	6	5	4	3	2	1	0
NAME	TOVF<8:1>							
DEFAULT	0	1	0	1	0	0	0	0

BIT	DESCRIPTION
7-0	THYST<8:1>. Over-temperature, bits 8-1. The nine-bit value is in units of 0.5°C, and the default is 80°C.

**9.146 SMIOVT3 Temperature Source Over-temperature (Low Byte) Register – Index 56h (Bank 2)**

Attribute: Read/Write

Size: 8 bits

BIT	7	6	5	4	3	2	1	0
NAME	TOVF<0>	RESERVED						
DEFAULT	0	0	0	0	0	0	0	0

BIT	DESCRIPTION
7	TOVF<0>. Over-temperature, bit 0. The nine-bit value is in units of 0.5°C.
6-0	Reserved.

**9.147 Reserved Register – Index 57h ~ 7Fh (Bank 2)**

**9.148 Reserved Register – Index 00h (Bank 3)**

**9.149 Reserved Register – Index 01h (Bank 3)**

**9.150 Reserved Register – Index 02h (Bank 3)**

**9.151 Reserved Register – Index 03h (Bank 3)**

**9.152 Reserved Register – Index 04h (Bank 3)**

**9.153 Reserved Register – Index 05h (Bank 3)**

- 9.154 Reserved Register – Index 06h (Bank 3)
- 9.155 Reserved Register – Index 07h (Bank 3)
- 9.156 Reserved Register – Index 08h (Bank 3)
- 9.157 Reserved Register – Index 09h (Bank 3)
- 9.158 Reserved Register – Index 0Ch (Bank 3)
- 9.159 Reserved Register – Index 0Dh (Bank 3)
- 9.160 Reserved Register – Index 20h (Bank 3)
- 9.161 Reserved Register – Index 21h (Bank 3)
- 9.162 Reserved Register – Index 22h (Bank 3)
- 9.163 Reserved Register – Index 23h (Bank 3)
- 9.164 Reserved Register – Index 24h (Bank 3)
- 9.165 Reserved Register – Index 27h (Bank 3)
- 9.166 Reserved Register – Index 28h (Bank 3)
- 9.167 Reserved Register – Index 29h (Bank 3)
- 9.168 Reserved Register – Index 2Ah (Bank 3)
- 9.169 Reserved Register – Index Index 2Dh~ 30h (Bank 3)
- 9.170 Reserved Register – Index 31h (Bank 3)
- 9.171 Reserved Register – Index 32h ~ 34h(Bank 3)
- 9.172 Reserved Register – Index 35h (Bank 3)
- 9.173 Reserved Register – Index 36h ~ 37h (Bank 3)
- 9.174 Reserved Register – Index 38h (Bank 3)

9.175 Reserved Register – Index 39h (Bank 3)

9.176 Reserved Register – Index 3Ah (Bank 3)

9.177 Reserved Register – Index 3Bh (Bank 3)

9.178 Reserved Register – Index 3Ch (Bank 3)

9.179 Reserved Register – Index 3Dh (Bank 3)

9.180 Reserved Register – Index 3Eh (Bank 3)

9.181 Reserved Register – Index 3Fh (Bank 3)

9.182 Reserved Register – Index 40h (Bank 3)

9.183 Reserved Register – Index 41h (Bank 3)

9.184 Reserved Register – Index 42h ~ 44h (Bank 3)

9.185 Reserved Register – Index 45h (Bank 3)

9.186 Reserved Register – Index 46h (Bank 3)

9.187 Reserved Register – Index 49h ~ 7Fh (Bank3)

9.188 PCH\_CHIP\_CPU\_MAX\_TEMP Register – Index 00h (Bank 4)

Attribute: Read

Size: 8 bits

BIT	7	6	5	4	3	2	1	0
NAME	PCH_CHIP_CPU_MAX_TEMP							
DEFAULT	0	0	0	0	0	0	0	0

BIT	DESCRIPTION
7-0	<b>PCH_CHIP_CPU_MAX_TEMP:</b> The maximum temperature in absolute degree C, of the CPU and MCH.

9.189 PCH\_CHIP\_TEMP Register – Index 01h (Bank 4)

Attribute: Read

Size: 8 bits

BIT	7	6	5	4	3	2	1	0
NAME	PCH_CHIP_TEMP							
DEFAULT	0	0	0	0	0	0	0	0

BIT	DESCRIPTION
7-0	<b>PCH_CHIP_TEMP</b> The IBX_CHIP temperature in degree C.

### 9.190 PCH\_CPU\_TEMP\_H Register – Index 02h (Bank 4)

Attribute: Read

Size: 8 bits

BIT	7	6	5	4	3	2	1	0
NAME	PCH_CPU_TEMP_H							
DEFAULT	0	0	0	0	0	0	0	0

BIT	DESCRIPTION
7-0	<b>PCH_CPU_TEMP_H</b> The CPU temperature in degree C. (Integer Part)

### 9.191 PCH\_CPU\_TEMP\_L Register – Index 03h (Bank 4)

Attribute: Read

Size: 8 bits

BIT	7	6	5	4	3	2	1	0
NAME	PCH_CPU_TEMP_L						Reserved	Reading _Flag
DEFAULT	0	0	0	0	0	0	0	0

BIT	DESCRIPTION
7-2	<b>PCH_CPU_TEMP_L</b> The CPU temperature in degree C. (Fractional Part)
1	Reserved
0	<b>Reading_Flag:</b> If there is an error when the IBX read the data from the CPU, then Bit0 is set to '1'.

### 9.192 PCH\_MCH\_TEMP Register – Index 04h (Bank 4)

Attribute: Read

Size: 8 bits

BIT	7	6	5	4	3	2	1	0
NAME	PCH_MCH_TEMP							
DEFAULT	0	0	0	0	0	0	0	0

BIT	DESCRIPTION
-----	-------------

BIT	DESCRIPTION
7-0	<b>PCH_MCH_TEMP</b> The MCH temperature in degree C.

**9.193 PCH\_DIM0\_TEMP Register – Index 05h (Bank 4)**

Attribute: Read

Size: 8 bits

BIT	7	6	5	4	3	2	1	0
<b>NAME</b>	<b>PCH_DIM0_TEMP</b>							
<b>DEFAULT</b>	0	0	0	0	0	0	0	0

BIT	DESCRIPTION
7-0	<b>PCH_DIM0_TEMP</b> The DIM0 temperature in degree C.

**9.194 PCH\_DIM1\_TEMP Register – Index 06h (Bank 4)**

Attribute: Read

Size: 8 bits

BIT	7	6	5	4	3	2	1	0
<b>NAME</b>	<b>PCH_DIM1_TEMP</b>							
<b>DEFAULT</b>	0	0	0	0	0	0	0	0

BIT	DESCRIPTION
7-0	<b>PCH_DIM1_TEMP</b> The DIM1 temperature in degree C.

**9.195 PCH\_DIM2\_TEMP Register – Index 07h (Bank 4)**

Attribute: Read

Size: 8 bits

BIT	7	6	5	4	3	2	1	0
<b>NAME</b>	<b>PCH_DIM2_TEMP</b>							
<b>DEFAULT</b>	0	0	0	0	0	0	0	0

BIT	DESCRIPTION
7-0	<b>PCH_DIM2_TEMP</b> The DIM2 temperature in degree C.

**9.196 PCH\_DIM3\_TEMP Register – Index 08h (Bank 4)**

Attribute: Read

Size: 8 bits

BIT	7	6	5	4	3	2	1	0
<b>NAME</b>	<b>PCH_DIM3_TEMP</b>							
<b>DEFAULT</b>	0	0	0	0	0	0	0	0

BIT	DESCRIPTION
7-0	<b>PCH_DIM3_TEMP</b> The DIM3 temperature in degree C.

**9.197 PCH\_TSI0\_TEMP\_H Register – Index 09h (Bank 4)**

Attribute: Read

Size: 8 bits

BIT	7	6	5	4	3	2	1	0
<b>NAME</b>	<b>PCH_TSI0_TEMP_H</b>							
<b>DEFAULT</b>	0	0	0	0	0	0	0	0

BIT	DESCRIPTION
7-0	<b>PCH_TSI0_TEMP_H</b> The TSI High-Byte temperature in degree C.

**9.198 PCH\_TSI0\_TEMP\_L Register – Index 0Ah (Bank 4)**

Attribute: Read

Size: 8 bits

BIT	7	6	5	4	3	2	1	0
<b>NAME</b>	<b>PCH_TSI0_TEMP_L</b>			Reserved				
<b>DEFAULT</b>	0	0	0	0	0	0	0	0

BIT	DESCRIPTION
7-5	<b>PCH_TSI0_TEMP_L</b> The TSI Low-Byte temperature in degree C.
4-0	Reserved

**9.199 PCH\_TSI1\_TEMP\_H Register – Index 0Bh (Bank 4)**

Attribute: Read

Size: 8 bits

BIT	7	6	5	4	3	2	1	0
<b>NAME</b>	<b>PCH_TSI1_TEMP_H</b>							
<b>DEFAULT</b>	0	0	0	0	0	0	0	0

BIT	DESCRIPTION
7-0	<b>PCH_TSI1_TEMP_H</b> The TSI High-Byte temperature in degree C.

**9.200 PCH\_TSI1\_TEMP\_L Register – Index 0Ch (Bank 4)**

Attribute: Read

Size: 8 bits

BIT	7	6	5	4	3	2	1	0
-----	---	---	---	---	---	---	---	---

<b>NAME</b>	PCH_TSI1_TEMP_L			Reserved				
<b>DEFAULT</b>	0	0	0	0	0	0	0	0

<b>BIT</b>	<b>DESCRIPTION</b>							
7-5	PCH_TSI1_TEMP_L The TSI Low-Byte temperature in degree C.							
4-0	Reserved							

**9.201 PCH\_TSI2\_TEMP\_H Register – Index 0Dh (Bank 4)**

Attribute: Read

Size: 8 bits

<b>BIT</b>	7	6	5	4	3	2	1	0
<b>NAME</b>	PCH_TSI2_TEMP_H							
<b>DEFAULT</b>	0	0	0	0	0	0	0	0

<b>BIT</b>	<b>DESCRIPTION</b>							
7-0	PCH_TSI2_TEMP_H The TSI High-Byte temperature in degree C.							

**9.202 PCH\_TSI2\_TEMP\_L Register – Index 0Eh (Bank 4)**

Attribute: Read

Size: 8 bits

<b>BIT</b>	7	6	5	4	3	2	1	0
<b>NAME</b>	PCH_TSI2_TEMP_L			Reserved				
<b>DEFAULT</b>	0	0	0	0	0	0	0	0

<b>BIT</b>	<b>DESCRIPTION</b>							
7-5	PCH_TSI2_TEMP_L The TSI Low-Byte temperature in degree C.							
4-0	Reserved							

**9.203 PCH\_TSI3\_TEMP\_H Register – Index 0Fh (Bank 4)**

Attribute: Read

Size: 8 bits

<b>BIT</b>	7	6	5	4	3	2	1	0
<b>NAME</b>	PCH_TSI3_TEMP_H							
<b>DEFAULT</b>	0	0	0	0	0	0	0	0

<b>BIT</b>	<b>DESCRIPTION</b>							
7-0	PCH_TSI3_TEMP_H The TSI High-Byte temperature in degree C.							

**9.204 PCH\_TSI3\_TEMP\_L Register – Index 10h (Bank 4)**



Attribute: Read  
 Size: 8 bits

<b>BIT</b>	7	6	5	4	3	2	1	0
<b>NAME</b>	PCH_TSI3_TEMP_L			Reserved				
<b>DEFAULT</b>	0	0	0	0	0	0	0	0

<b>BIT</b>	<b>DESCRIPTION</b>
7-5	<b>PCH_TSI3_TEMP_L</b> The TSI Low-Byte temperature in degree C.
4-0	<b>Reserved</b>

### 9.205 PCH\_TSI4\_TEMP\_H Register – Index 11h (Bank 4)

Attribute: Read  
 Size: 8 bits

<b>BIT</b>	7	6	5	4	3	2	1	0
<b>NAME</b>	PCH_TSI4_TEMP_H							
<b>DEFAULT</b>	0	0	0	0	0	0	0	0

<b>BIT</b>	<b>DESCRIPTION</b>
7-0	<b>PCH_TSI4_TEMP_H</b> The TSI High-Byte temperature in degree C.

### 9.206 PCH\_TSI4\_TEMP\_L Register – Index 12h (Bank 4)

Attribute: Read  
 Size: 8 bits

<b>BIT</b>	7	6	5	4	3	2	1	0
<b>NAME</b>	PCH_TSI4_TEMP_L			Reserved				
<b>DEFAULT</b>	0	0	0	0	0	0	0	0

<b>BIT</b>	<b>DESCRIPTION</b>
7-5	<b>PCH_TSI4_TEMP_L</b> The TSI Low-Byte temperature in degree C.
4-0	<b>Reserved</b>

### 9.207 PCH\_TSI5\_TEMP\_H Register – Index 13h (Bank 4)

Attribute: Read  
 Size: 8 bits

<b>BIT</b>	7	6	5	4	3	2	1	0
<b>NAME</b>	PCH_TSI5_TEMP_H							
<b>DEFAULT</b>	0	0	0	0	0	0	0	0

<b>BIT</b>	<b>DESCRIPTION</b>
------------	--------------------

BIT	DESCRIPTION
7-0	<b>PCH_TSI5_TEMP_H</b> The TSI High-Byte temperature in degree C.

### 9.208 PCH\_TSI5\_TEMP\_L Register – Index 14h (Bank 4)

Attribute: Read

Size: 8 bits

BIT	7	6	5	4	3	2	1	0
<b>NAME</b>	PCH_TSI5_TEMP_L				Reserved			
<b>DEFAULT</b>	0	0	0	0	0	0	0	0

BIT	DESCRIPTION
7-5	<b>PCH_TSI5_TEMP_L</b> The TSI Low-Byte temperature in degree C.
4-0	Reserved

### 9.209 PCH\_TSI6\_TEMP\_H Register – Index 15h (Bank 4)

Attribute: Read

Size: 8 bits

BIT	7	6	5	4	3	2	1	0
<b>NAME</b>	PCH_TSI6_TEMP_H							
<b>DEFAULT</b>	0	0	0	0	0	0	0	0

BIT	DESCRIPTION
7-0	<b>PCH_TSI6_TEMP_H</b> The TSI High-Byte temperature in degree C.

### 9.210 PCH\_TSI6\_TEMP\_L Register – Index 16h (Bank 4)

Attribute: Read

Size: 8 bits

BIT	7	6	5	4	3	2	1	0
<b>NAME</b>	PCH_TSI6_TEMP_L				Reserved			
<b>DEFAULT</b>	0	0	0	0	0	0	0	0

BIT	DESCRIPTION
7-5	<b>PCH_TSI6_TEMP_L</b> The TSI Low-Byte temperature in degree C.
4-0	Reserved

### 9.211 PCH\_TSI7\_TEMP\_H Register – Index 17h (Bank 4)

Attribute: Read

Size: 8 bits

BIT	7	6	5	4	3	2	1	0
-----	---	---	---	---	---	---	---	---

<b>NAME</b>	<b>PCH_TSI7_TEMP_H</b>							
<b>DEFAULT</b>	0	0	0	0	0	0	0	0

<b>BIT</b>	<b>DESCRIPTION</b>							
7-0	<b>PCH_TSI7_TEMP_H</b> The TSI High-Byte temperature in degree C.							

**9.212 PCH\_TSI7\_TEMP\_L Register – Index 18h (Bank 4)**

Attribute: Read

Size: 8 bits

<b>BIT</b>	7	6	5	4	3	2	1	0
<b>NAME</b>	<b>PCH_TSI7_TEMP_L</b>				<b>Reserved</b>			
<b>DEFAULT</b>	0	0	0	0	0	0	0	0

<b>BIT</b>	<b>DESCRIPTION</b>							
7-5	<b>PCH_TSI7_TEMP_L</b> The TSI Low-Byte temperature in degree C.							
4-0	<b>Reserved</b>							

**9.213 ByteTemp\_H Register – Index 19h (Bank 4)**

Attribute: Read

Size: 8 bits

<b>BIT</b>	7	6	5	4	3	2	1	0
<b>NAME</b>	<b>ByteTemp_H</b>							
<b>DEFAULT</b>	0	0	0	0	0	0	0	0

<b>BIT</b>	<b>DESCRIPTION</b>							
7-0	<b>ByteTemp_H</b> The TSI Byte format High-Byte temperature in degree C.							

**9.214 ByteTemp\_L Register – Index 1Ah (Bank 4)**

Attribute: Read

Size: 8 bits

<b>BIT</b>	7	6	5	4	3	2	1	0
<b>NAME</b>	<b>ByteTemp_L</b>							
<b>DEFAULT</b>	0	0	0	0	0	0	0	0

<b>BIT</b>	<b>DESCRIPTION</b>							
7-0	<b>ByteTemp_L</b> The TSI Byte format Low-Byte temperature in degree C.							

**9.215 Reserved Register – Index 1Bh ~ 22h (Bank 4)**

**9.216 VIN0 High Limit Compared Voltage Register – Index 23h (Bank 4)**

Attribute: Read/Write  
 Size: 8 bits

<b>BIT</b>	7	6	5	4	3	2	1	0
<b>NAME</b>	VIN0 High Limit Compared Voltage (VIN0_Limth)							
<b>DEFAULT</b>	1	0	0	1	0	1	1	0

<b>BIT</b>	<b>DESCRIPTION</b>
7-0	<b>VIN0 High Limit Compared Voltage.</b> Default: 0x96h (1.2V)

**9.217 VIN0 Low Limit Compared Voltage Register – Index 24h (Bank 4)**

Attribute: Read/Write  
 Size: 8 bits

<b>BIT</b>	7	6	5	4	3	2	1	0
<b>NAME</b>	VIN0 Low Limit Compared Voltage (VIN0_Limth)							
<b>DEFAULT</b>	0	1	1	0	0	1	0	0

<b>BIT</b>	<b>DESCRIPTION</b>
7-0	<b>VIN0 Low Limit Compared Voltage.</b> Default: 0x64h (0.8V)

**9.218 VIN1 High Limit Compared Voltage Register – Index 25h (Bank 4)**

Attribute: Read/Write  
 Size: 8 bits

<b>BIT</b>	7	6	5	4	3	2	1	0
<b>NAME</b>	VIN1 High Limit Compared Voltage (VIN1_Limth)							
<b>DEFAULT</b>	1	0	0	1	0	1	1	0

<b>BIT</b>	<b>DESCRIPTION</b>
7-0	<b>VIN1 High Limit Compared Voltage.</b> Default: 0x96h (1.2V)

**9.219 VIN1 Low Limit Compared Voltage Register – Index 26h (Bank 4)**

Attribute: Read/Write  
 Size: 8 bits

<b>BIT</b>	7	6	5	4	3	2	1	0
<b>NAME</b>	VIN1 Low Limit Compared Voltage (VIN1_Limth)							
<b>DEFAULT</b>	0	1	1	0	0	1	0	0

<b>BIT</b>	<b>DESCRIPTION</b>
------------	--------------------

7-0	<b>VIN1 Low Limit Compared Voltage.</b> Default: 0x64h (0.8V)
-----	---

**9.220 AVCC High Limit Compared Voltage Register – Index 27h (Bank 4)**

Attribute: Read/Write

Size: 8 bits

BIT	7	6	5	4	3	2	1	0
NAME	AVCC High Limit Compared Voltage (AVCC_Limth)							
DEFAULT	1	1	1	0	0	0	0	1

BIT	DESCRIPTION
7-0	<b>AVCC High Limit Compared Voltage.</b> Default: 0xE1h (1.8V *2)

**9.221 AVCC Low Limit Compared Voltage Register – Index 28h (Bank 4)**

Attribute: Read/Write

Size: 8 bits

BIT	7	6	5	4	3	2	1	0
NAME	AVCC Low Limit Compared Voltage (AVCC_Limth)							
DEFAULT	1	0	0	1	0	1	1	0

BIT	DESCRIPTION
7-0	<b>AVCC Low Limit Compared Voltage (AVCC_Limth).</b> Default: 0x96h (1.2V *2)

**9.222 Reserved Register – Index 2Ah ~ 3Fh (Bank 4)**

**9.223 SMI\_TEMP4-6 SMI# Mask Register - Index 40h (Bank 4)**

Attribute: Read/Write

Size: 8 bits

BIT	7	6	5	4	3	2	1	0
NAME	Reserved		SMSK TEMP_T6_Shut	SMSK TEMP_T5_Shut	SMSK TEMP_T4_Shut	SMSK TEMP_T6	SMSK TEMP_T5	SMSK TEMP_T4
DEFAULT	0	0	1	1	1	1	1	1

BIT	DESCRIPTION
7-6	Reserved.
5	SMSKTEMP_T6_Shut
4	SMSKTEMP_T5_Shut
3	SMSKTEMP_T4_Shut
2	SMSKTEMP_T6
1	SMSKTEMP_T5
0	SMSKTEMP_T4

“1” disables the corresponding interrupt status bit for the *SMI* interrupt. (See Interrupt Status Register 4 – Index 45h (Bank 0))

### 9.224 SMI\_TEMP4-6 Interrupt Status Register - Index 41h (Bank 4)

Attribute: Read Clear

Size: 8 bits

BIT	7	6	5	4	3	2	1	0
NAME	Reserved	STS_TEMP_Shut_T6	STS_TEMP_Shut_T5	STS_TEMP_Shut_T4	Reserved	STS_TEMP_T6	STS_TEMP_T5	STS_TEMP_T4
DEFAULT	0	0	0	0	0	0	0	0

BIT	DESCRIPTION
7	<b>Reserved.</b>
6	<b>STS_TEMP_Shut_T6</b> A one indicates the high limit of SMI_SOURCE6 temperature of SMI# Shut-down mode has been exceeded. (SYSTIN is default temperature)
5	<b>STS_TEMP_Shut_T5</b> A one indicates the high limit of SMI_SOURCE5 temperature of SMI# Shut-down mode has been exceeded. (SYSTIN is default temperature)
4	<b>STS_TEMP_Shut_T4</b> A one indicates the high limit of SMI_SOURCE4 temperature of SMI# Shut-down mode has been exceeded. (SYSTIN is default temperature)
3	<b>Reserved.</b>
2	<b>STS_TEMP_T6</b> A one indicates the high limit of SMI SOURCE6 temperature has been exceeded. (SYSTIN is default temperature)
1	<b>STS_TEMP_T5</b> A one indicates the high limit of SMI SOURCE5 temperature has been exceeded. (SYSTIN is default temperature)
0	<b>STS_TEMP_T4</b> A one indicates the high limit of SMI SOURCE4 temperature has been exceeded. (SYSTIN is default temperature)

### 9.225 Voltage Comparison Interrupt Status Register - Index 42h (Bank 4)

Attribute: Read Only

Size: 8 bits

BIT	7	6	5	4	3	2	1	0
NAME	RESERVED					AVCC_Warn	VIN1_Warn	VIN0_Warn
DEFAULT	0	0	0	0	0	0	0	0

BIT	DESCRIPTION
7-3	<b>Reserved.</b>
2	<b>AVCC_Warn.</b> A one indicates the limit of AVCC voltage has been exceeded.
1	<b>VIN1_Warn.</b> A one indicates the limit of VIN1 voltage has been exceeded.

BIT	DESCRIPTION
0	<b>VIN0_Warn</b> A one indicates the limit of VIN0 voltage has been exceeded.

### 9.226 Interrupt Status Register 3 – Index 50h (Bank 4)

Attribute: Read Clear

Size: 8 bits

BIT	7	6	5	4	3	2	1	0
<b>NAME</b>	RESERVED						<b>VBAT</b>	<b>3VSB</b>
<b>DEFAULT</b>	0	0	0	0	0	0	0	0

BIT	DESCRIPTION
7-2	<b>Reserved.</b>
1	<b>VBAT.</b> A one indicates the high or low limit of VBAT has been exceeded.
0	<b>3VSB.</b> A one indicates the high or low limit of 3VSB has been exceeded.

### 9.227 SMI# Mask Register 4 – Index 51h (Bank 4)

Attribute: Read/Write

Size: 8 bits

BIT	7	6	5	4	3	2	1	0
<b>NAME</b>	RESERVED			<b>TAR3</b>	RESERVED		<b>SMSKVBAT</b>	<b>SMSKVSB</b>
<b>DEFAULT</b>	0	0	0	1	0	0	1	1

BIT	DESCRIPTION
7-5	<b>Reserved.</b>
4	<b>TAR3.</b> A one disables the corresponding interrupt status bit for the $\overline{\text{SMI}}$ interrupt. (See Interrupt Status Register 3 – Index 50h (Bank 4))
3-2	<b>Reserved.</b>
1	<b>SMSKVBAT.</b> A one disables the corresponding interrupt status bit for the $\overline{\text{SMI}}$ interrupt. (See Interrupt Status Register 3 – Index 50h (Bank 4))
0	<b>SMSKVSB.</b> A one disables the corresponding interrupt status bit for the $\overline{\text{SMI}}$ interrupt. (See Interrupt Status Register 3 – Index 50h (Bank 4))

### 9.228 Reserved Register – Index 52h ~ 53h (Bank 4)

### 9.229 Reserved Register – Index 54h (Bank 4)

### 9.230 CPUTIN Temperature Sensor Offset Register – Index 55h (Bank 4)

Attribute: Read/Write

Size: 8 bits

BIT	7	6	5	4	3	2	1	0
-----	---	---	---	---	---	---	---	---

<b>NAME</b>	<b>OFFSET&lt;7:0&gt;</b>							
<b>DEFAULT</b>	0	0	0	0	0	0	0	0

<b>BIT</b>	<b>DESCRIPTION</b>
7-0	<b>CPUTIN Temperature Offset Value.</b> The value in this register will be added to the monitored value so that the read value is the sum of the monitored value and this offset value.

### 9.231 AUXTIN Temperature Sensor Offset Register – Index 56h (Bank 4)

Attribute: Read/Write

Size: 8 bits

<b>BIT</b>	7	6	5	4	3	2	1	0
<b>NAME</b>	<b>OFFSET&lt;7:0&gt;</b>							
<b>DEFAULT</b>	0	0	0	0	0	0	0	0

<b>BIT</b>	<b>DESCRIPTION</b>
7-0	<b>AUXTIN Temperature Offset Value.</b> The value in this register is added to the monitored value so that the read value is the sum of the monitored value and this offset value.

### 9.232 Reserved Register – Index 57h-58h (Bank 4)

### 9.233 Real Time Hardware Status Register I – Index 59h (Bank 4)

Attribute: Read Only

Size: 8 bits

<b>BIT</b>	7	6	5	4	3	2	1	0
<b>NAME</b>	<b>CPUFANIN_STS</b>	<b>SYSFANIN_STS</b>	<b>CPUTIN_STS</b>	Reserved.	<b>3VCC_STS</b>	<b>AVCC_STS</b>	<b>VIN0_STS</b>	<b>CPUVCORE_STS</b>
<b>DEFAULT</b>	0	0	0	0	0	0	0	0

<b>BIT</b>	<b>DESCRIPTION</b>
7	<b>CPUFANIN_STS. CPUFANIN Status.</b> 1: Fan speed count is over the threshold value. 0: Fan speed count is in the allowed range.
6	<b>SYSFANIN_STS. SYSFANIN Status.</b> 1: Fan speed count is over the threshold value. 0: Fan speed count is in the allowed range.
5	<b>CPUTIN_STS. CPUTIN Temperature Sensor Status.</b> 1: Temperature exceeds the over-temperature value. 0: Temperature is under the hysteresis value.
4	<b>Reserved.</b>
3	<b>3VCC_STS. 3VCC Voltage Status.</b> 1: 3VCC voltage is over or under the allowed range.



BIT	DESCRIPTION
	0: 3VCC voltage is in the allowed range.
2	<b>AVCC_STS. AVCC Voltage Status.</b> 1: AVCC voltage is over or under the allowed range. 0: AVCC voltage is in the allowed range.
1	<b>VIN0_STS. VIN0 Voltage Status.</b> 1: VIN0 voltage is over or under the allowed range. 0: VIN0 voltage is in the allowed range.
0	<b>CPUVCORE_STS. CPUVCORE Voltage Status.</b> 1: CPUVCORE voltage is over or under the allowed range. 0: CPUVCORE voltage is in the allowed range.

### 9.234 Real Time Hardware Status Register II – Index 5Ah (Bank 4)

Attribute: Read Only

Size: 8 bits

BIT	7	6	5	4	3	2	1	0
NAME	TAR2_STS	TAR1_STS	AUXTIN_STS	Reserved.	Reserved.	Reserved.	Reserved.	VIN1_STS
DEFAULT	0	0	0	0	0	0	0	0

BIT	DESCRIPTION
7	<b>TAR2_STS. Smart Fan of CPUFANIN Warning Status.</b> 1: Selected temperature has been over the target temperature for three minutes at full fan speed in Thermal Cruise Mode. 0: Selected temperature has not reached the warning range.
6	<b>TAR1_STS. Smart Fan of SYSFANIN Warning Status.</b> 1: SYSTIN temperature has been over the target temperature for three minutes at full fan speed in Thermal Cruise Mode. 0: SYSTIN temperature has not reached the warning range.
5	<b>AUXTIN_STS. AUXTIN Temperature Sensor Status.</b> 1: Temperature exceeds the over-temperature value. 0: Temperature is under the hysteresis value.
4~1	<b>Reserved.</b>
0	<b>VIN1_STS. VIN1 Voltage Status.</b> 1: VIN1 voltage is over or under the allowed range. 0: VIN1 voltage is in the allowed range.

### 9.235 Real Time Hardware Status Register III – Index 5Bh (Bank 4)

Attribute: Read Only

Size: 8 bits

BIT	7	6	5	4	3	2	1	0
NAME	RESERVED			VIN3_STS	RESERVED		VBAT_STS	VSB_STS
DEFAULT	0	0	0	0	0	0	0	0

BIT	DESCRIPTION
7~5	Reserved.
4	<b>VIN3_STS. VIN3 Voltage Status.</b> 1: VIN3 voltage is over or under the allowed range. 0: VIN3 voltage is in the allowed range.
3~2	Reserved.
1	<b>VBAT_STS. VBAT Voltage Status.</b> 1: The VBAT voltage is over or under the allowed range. 0: The VBAT voltage is in the allowed range.
0	<b>VSB_STS. 3VSB Voltage Status.</b> 1: The 3VSB voltage is over or under the allowed range. 0: The 3VSB voltage is in the allowed range.

**9.236 Reserved Register – Index 5Ch ~ 5Fh (Bank 4)**

**9.237 Is<8:1> Current Register – Index 60h (Bank 4)**

Attribute: Read Only

Size: 8 bits

BIT	7	6	5	4	3	2	1	0
NAME	Is<8:1>							
DEFAULT	0	0	0	0	0	0	0	0

BIT	DESCRIPTION
7-0	Is<8:1>. Current measure by current measure IC (1LSB=31.25mA)

**9.238 Is<0> Current Register – Index 61h (Bank 4)**

Attribute: Read Only

Size: 8 bits

BIT	7	6	5	4	3	2	1	0
NAME	Reserved							Is<0>
DEFAULT	0	0	0	0	0	0	0	0

BIT	DESCRIPTION
7-1	Reserved
0	Is<0>. Current measure by current measure IC (1LSB=31.25mA)

**9.239 POWER <9:2> Register – Index 62h (Bank 4)**

Attribute: Read Only

Size: 8 bits

BIT	7	6	5	4	3	2	1	0
-----	---	---	---	---	---	---	---	---

<b>NAME</b>	<b>POWER &lt;9:2&gt;</b>							
<b>DEFAULT</b>	0	0	0	0	0	0	0	0

<b>BIT</b>	<b>DESCRIPTION</b>							
7-0	POWER <9:2>. Power calculate by IO (1LSB=0.25W)							

### 9.240 POWER<1:0> Register – Index 63h (Bank 4)

Attribute: Read Only

Size: 8 bits

<b>BIT</b>	7	6	5	4	3	2	1	0
<b>NAME</b>	Reserved						POWER<1:0>	
<b>DEFAULT</b>	0	0	0	0	0	0	0	0

<b>BIT</b>	<b>DESCRIPTION</b>							
7-1	Reserved							
1:0	POWER<1:0>. Power calculate by IO (1LSB=0.25W)							

### 9.241 VIN Register – Index 64h (Bank 4)

Attribute: Read Only

Size: 8 bits

<b>BIT</b>	7	6	5	4	3	2	1	0
<b>NAME</b>	VIN							
<b>DEFAULT</b>	0	0	0	0	0	0	0	0

<b>BIT</b>	<b>DESCRIPTION</b>							
7-0	VIN. Power voltage given by customer. (1LSB=128mV)							

### 9.242 Rreg Setting Register – Index 65h (Bank 4)

Attribute: Read/Write

Size: 8 bits

<b>BIT</b>	7	6	5	4	3	2	1	0
<b>NAME</b>	Rreg							
<b>DEFAULT</b>	0	0	0	0	0	0	0	0

<b>BIT</b>	<b>DESCRIPTION</b>							
7-0	Rreg. Equivalent electric impedance in order to calculate Is. (1LSB=1m ohm)							

### 9.243 Reg\_Ratio\_K and POWER\_Voltage Enable Register – Index 66h (Bank 4)

Attribute: Read/Write

Size: 8 bits

BIT	7	6	5	4	3	2	1	0
NAME	Reg_Ration_K				Reserved			Power_Volt_En
DEFAULT	0	0	0	0	0	0	0	0

BIT	DESCRIPTION
7-4	<b>Reg_Ration_K:</b> The ration in order to make power voltage input to IO is below 2.048. Reg_Ration_K=(R1+R2)/(R1)
3-1	<b>Reserved</b>
0	<b>Power_Volt_En</b> 0:Power voltage is monitored by IO 1:Power voltage is given by customer

**9.244 POWER\_V Register – Index 67h (Bank 4)**

Attribute: Read/Write

Size: 8 bits

BIT	7	6	5	4	3	2	1	0
NAME	POWER_V							
DEFAULT	0	0	0	0	0	0	0	0

BIT	DESCRIPTION
7-0	<b>POWER_V:</b> Power voltage (1LSB=128mV)

**9.245 Reserved Register – Index 68h ~ 7Fh (Bank 4)**

**9.246 Reserved Register – Index 00h ~ 4Fh (Bank 5)**

**9.247 Value RAM 2 — Index 50h-5Fh (Bank 5)**

ADDRESS A6-A0	DESCRIPTION
50h	<b>3VSB reading</b>
51h	<b>VBAT reading.</b> The reading is meaningless unless EN_VBAT_MN (Bank0 Index 5Dh, bit0) is set.
52-53h	Reserved
54h	<b>3VSB High Limit</b>
55h	<b>3VSB Low Limit</b>
56h	<b>VBAT High Limit</b>
57h	<b>VBAT Low Limit</b>
58h – 5Fh	Reserved

**9.248 Reserved Register – Index 60h ~ 7Fh (Bank 5)**

**9.249 Close-Loop Fan Control RPM mode Register – Index 00 (Bank 6)**

Attribute: Read/Write  
 Size: 8 bits

BIT	7	6	5	4	3	2	1	0
NAME	RESERVED							TwoDimension
DEFAULT	0							0

BIT	DESCRIPTION
7-1	RESERVED
0	TwoDimension : Close-Loop Fan Control RPM mode ( RPM to Temperature )

**9.250 Close-Loop Fan Control RPM Mode Tolerance Register – Index 01 (Bank 6)**

Attribute: Read/Write  
 Size: 8 bits

BIT	7	6	5	4	3	2	1	0
NAME	RESERVED				Generic_Tol_RPM			
DEFAULT	0				0			

BIT	DESCRIPTION
7-4	RESERVED
3-0	Tolerance of RPM mode, unit 50 RPM.

**9.251 SMIOVT1 Temperature Source Select Register – Index 21 (Bank 6)**

Attribute: Read/Write  
 Size: 8 bits

BIT	7	6	5	4	3	2	1	0
NAME	RESERVED				SMIOVT_SRC1			
DEFAULT	0	0	0	0	0	0	0	1

BIT	DESCRIPTION
7-5	RESERVED
4-0	SMIOVT1 Temperature selection. Bits <b>4 3 2 1 0</b> 0 0 0 0 1: Select <b>SYSTIN</b> as SMIOVT1 monitoring source. (Default) 0 0 0 1 0: Select <b>CPUTIN</b> as SMIOVT1 monitoring source. 0 0 0 1 1: Select <b>AUXTIN</b> as SMIOVT1 monitoring source. 0 0 1 0 0: Select <b>SMBUSMASTER 0</b> as SMIOVT1 monitoring source.

0 0 1 0 1:	Select <b>SMBUSMASTER 1</b> as SMIOVT1 monitoring source.
0 0 1 1 0:	Select <b>SMBUSMASTER 2</b> as SMIOVT1 monitoring source.
0 0 1 1 1:	Select <b>SMBUSMASTER 3</b> as SMIOVT1 monitoring source.
0 1 0 0 0:	Select <b>SMBUSMASTER 4</b> as SMIOVT1 monitoring source.
0 1 0 0 1:	Select <b>SMBUSMASTER 5</b> as SMIOVT1 monitoring source.
0 1 0 1 0:	Select <b>SMBUSMASTER 6</b> as SMIOVT1 monitoring source.
0 1 0 1 1:	Select <b>SMBUSMASTER 7</b> as SMIOVT1 monitoring source.
0 1 1 0 0:	Select <b>PECI Agent 0</b> as SMIOVT1 monitoring source.
0 1 1 0 1:	Select <b>PECI Agent 1</b> as SMIOVT1 monitoring source.
0 1 1 1 0:	Select <b>PCH_CHIP_CPU_MAX_TEMP</b> as SMIOVT1 monitoring source.
0 1 1 1 1:	Select <b>PCH_CHIP_TEMP</b> as SMIOVT1 monitoring source.
1 0 0 0 0:	Select <b>PCH_CPU_TEMP</b> as SMIOVT1 monitoring source.
1 0 0 0 1:	Select <b>PCH_MCH_TEMP</b> as SMIOVT1 monitoring source.
1 0 0 1 0:	Select <b>PCH_DIM0_TEMP</b> as SMIOVT1 monitoring source.
1 0 0 1 1:	Select <b>PCH_DIM1_TEMP</b> as SMIOVT1 monitoring source.
1 0 1 0 0:	Select <b>PCH_DIM2_TEMP</b> as SMIOVT1 monitoring source.
1 0 1 0 1:	Select <b>PCH_DIM3_TEMP</b> as SMIOVT1 monitoring source.
1 0 1 1 0:	Select <b>BYTE_TEMP</b> as SMIOVT1 monitoring source.

### 9.252 SMIOVT2 Temperature Source Select Register – Index 22 (Bank 6)

Attribute: Read/Write

Size: 8 bits

BIT	7	6	5	4	3	2	1	0
NAME	RESERVED			SMIOVT_SRC2				
DEFAULT	0	0	0	0	0	0	1	0

BIT	DESCRIPTION
7-5	RESERVED
4-0	<p><b>SMIOVT2 Temperature selection.</b></p> <p><b>Bits</b></p> <p><b>4 3 2 1 0</b></p> <p>0 0 0 0 1: Select <b>SYSTIN</b> as SMIOVT2 monitoring source.</p> <p>0 0 0 1 0: Select <b>CPUTIN</b> as SMIOVT2 monitoring source. (Default)</p> <p>0 0 0 1 1: Select <b>AUXTIN</b> as SMIOVT2 monitoring source.</p> <p>0 0 1 0 0: Select <b>SMBUSMASTER 0</b> as SMIOVT2 monitoring source.</p> <p>0 0 1 0 1: Select <b>SMBUSMASTER 1</b> as SMIOVT2 monitoring source.</p> <p>0 0 1 1 0: Select <b>SMBUSMASTER 2</b> as SMIOVT2 monitoring source.</p> <p>0 0 1 1 1: Select <b>SMBUSMASTER 3</b> as SMIOVT2 monitoring source.</p> <p>0 1 0 0 0: Select <b>SMBUSMASTER 4</b> as SMIOVT2 monitoring source.</p> <p>0 1 0 0 1: Select <b>SMBUSMASTER 5</b> as SMIOVT2 monitoring source.</p> <p>0 1 0 1 0: Select <b>SMBUSMASTER 6</b> as SMIOVT2 monitoring source.</p> <p>0 1 0 1 1: Select <b>SMBUSMASTER 7</b> as SMIOVT2 monitoring source.</p> <p>0 1 1 0 0: Select <b>PECI Agent 0</b> as SMIOVT2 monitoring source.</p> <p>0 1 1 0 1: Select <b>PECI Agent 1</b> as SMIOVT2 monitoring source.</p> <p>0 1 1 1 0: Select <b>PCH_CHIP_CPU_MAX_TEMP</b> as SMIOVT2 monitoring source.</p> <p>0 1 1 1 1: Select <b>PCH_CHIP_TEMP</b> as SMIOVT2 monitoring source.</p> <p>1 0 0 0 0: Select <b>PCH_CPU_TEMP</b> as SMIOVT2 monitoring source.</p>

1 0 0 0 1:	Select <b>PCH_MCH_TEMP</b> as SMIOVT2 monitoring source.
1 0 0 1 0:	Select <b>PCH_DIM0_TEMP</b> as SMIOVT2 monitoring source.
1 0 0 1 1:	Select <b>PCH_DIM1_TEMP</b> as SMIOVT2 monitoring source.
1 0 1 0 0:	Select <b>PCH_DIM2_TEMP</b> as SMIOVT2 monitoring source.
1 0 1 0 1:	Select <b>PCH_DIM3_TEMP</b> as SMIOVT2 monitoring source.
1 0 1 1 0:	Select <b>BYTE_TEMP</b> as SMIOVT2 monitoring source.

### 9.253 SMIOVT3 Temperature Source Select Register – Index 23 (Bank 6)

Attribute: Read/Write

Size: 8 bits

BIT	7	6	5	4	3	2	1	0
NAME	RESERVED			SMIOVT_SRC3				
DEFAULT	0	0	0	0	0	0	1	1

BIT	DESCRIPTION
7-5	RESERVED
4-0	<p><b>SMIOVT3 Temperature selection.</b></p> <p><b>Bits</b></p> <p><b>4 3 2 1 0</b></p> <p>0 0 0 0 1: Select <b>SYSTIN</b> as SMIOVT3 monitoring source.</p> <p>0 0 0 1 0: Select <b>CPUTIN</b> as SMIOVT3 monitoring source.</p> <p>0 0 0 1 1: Select <b>AUXTIN</b> as SMIOVT3 monitoring source. (Default)</p> <p>0 0 1 0 0: Select <b>SMBUSMASTER 0</b> as SMIOVT3 monitoring source.</p> <p>0 0 1 0 1: Select <b>SMBUSMASTER 1</b> as SMIOVT3 monitoring source.</p> <p>0 0 1 1 0: Select <b>SMBUSMASTER 2</b> as SMIOVT3 monitoring source.</p> <p>0 0 1 1 1: Select <b>SMBUSMASTER 3</b> as SMIOVT3 monitoring source.</p> <p>0 1 0 0 0: Select <b>SMBUSMASTER 4</b> as SMIOVT3 monitoring source.</p> <p>0 1 0 0 1: Select <b>SMBUSMASTER 5</b> as SMIOVT3 monitoring source.</p> <p>0 1 0 1 0: Select <b>SMBUSMASTER 6</b> as SMIOVT3 monitoring source.</p> <p>0 1 0 1 1: Select <b>SMBUSMASTER 7</b> as SMIOVT3 monitoring source.</p> <p>0 1 1 0 0: Select <b>PECI Agent 0</b> as SMIOVT3 monitoring source.</p> <p>0 1 1 0 1: Select <b>PECI Agent 1</b> as SMIOVT3 monitoring source.</p> <p>0 1 1 1 0: Select <b>PCH_CHIP_CPU_MAX_TEMP</b> as SMIOVT3 monitoring source.</p> <p>0 1 1 1 1: Select <b>PCH_CHIP_TEMP</b> as SMIOVT3 monitoring source.</p> <p>1 0 0 0 0: Select <b>PCH_CPU_TEMP</b> as SMIOVT3 monitoring source.</p> <p>1 0 0 0 1: Select <b>PCH_MCH_TEMP</b> as SMIOVT3 monitoring source.</p> <p>1 0 0 1 0: Select <b>PCH_DIM0_TEMP</b> as SMIOVT3 monitoring source.</p> <p>1 0 0 1 1: Select <b>PCH_DIM1_TEMP</b> as SMIOVT3 monitoring source.</p> <p>1 0 1 0 0: Select <b>PCH_DIM2_TEMP</b> as SMIOVT3 monitoring source.</p> <p>1 0 1 0 1: Select <b>PCH_DIM3_TEMP</b> as SMIOVT3 monitoring source.</p> <p>1 0 1 1 0: Select <b>BYTE_TEMP</b> as SMIOVT3 monitoring source.</p>

### 9.254 SMIOVT4 Temperature Source Select Register – Index 24 (Bank 6)

Attribute: Read/Write

Size: 8 bits

BIT	7	6	5	4	3	2	1	0
NAME	RESERVED			SMIOVT_SRC4				
DEFAULT	0	0	0	0	0	0	0	1

BIT	DESCRIPTION
7-5	RESERVED
4-0	<p><b>SMIOVT4 Temperature selection.</b></p> <p><b>Bits</b>  <b>4 3 2 1 0</b></p> <p>0 0 0 0 1: Select <b>SYSTIN</b> as SMIOVT4 monitoring source. (Default)                      0 0 0 1 0: Select <b>CPUTIN</b> as SMIOVT4 monitoring source.                      0 0 0 1 1: Select <b>AUXTIN</b> as SMIOVT4 monitoring source.                      0 0 1 0 0: Select <b>SMBUSMASTER 0</b> as SMIOVT4 monitoring source.                      0 0 1 0 1: Select <b>SMBUSMASTER 1</b> as SMIOVT4 monitoring source.                      0 0 1 1 0: Select <b>SMBUSMASTER 2</b> as SMIOVT4 monitoring source.                      0 0 1 1 1: Select <b>SMBUSMASTER 3</b> as SMIOVT4 monitoring source.                      0 1 0 0 0: Select <b>SMBUSMASTER 4</b> as SMIOVT4 monitoring source.                      0 1 0 0 1: Select <b>SMBUSMASTER 5</b> as SMIOVT4 monitoring source.                      0 1 0 1 0: Select <b>SMBUSMASTER 6</b> as SMIOVT4 monitoring source.                      0 1 0 1 1: Select <b>SMBUSMASTER 7</b> as SMIOVT4 monitoring source.                      0 1 1 0 0: Select <b>PECI Agent 0</b> as SMIOVT4 monitoring source.                      0 1 1 0 1: Select <b>PECI Agent 1</b> as SMIOVT4 monitoring source.                      0 1 1 1 0: Select <b>PCH_CHIP_CPU_MAX_TEMP</b> as SMIOVT4 monitoring source.                      0 1 1 1 1: Select <b>PCH_CHIP_TEMP</b> as SMIOVT4 monitoring source.                      1 0 0 0 0: Select <b>PCH_CPU_TEMP</b> as SMIOVT4 monitoring source.                      1 0 0 0 1: Select <b>PCH_MCH_TEMP</b> as SMIOVT4 monitoring source.                      1 0 0 1 0: Select <b>PCH_DIM0_TEMP</b> as SMIOVT4 monitoring source.                      1 0 0 1 1: Select <b>PCH_DIM1_TEMP</b> as SMIOVT4 monitoring source.                      1 0 1 0 0: Select <b>PCH_DIM2_TEMP</b> as SMIOVT4 monitoring source.                      1 0 1 0 1: Select <b>PCH_DIM3_TEMP</b> as SMIOVT4 monitoring source.                      1 0 1 1 0: Select <b>BYTE_TEMP</b> as SMIOVT4 monitoring source.</p>

**9.255 SMIOVT5 Temperature Source Select Register – Index 25 (Bank 6)**

Attribute: Read/Write

Size: 8 bits

BIT	7	6	5	4	3	2	1	0
NAME	RESERVED			SMIOVT_SRC5				
DEFAULT	0	0	0	0	0	0	0	1

BIT	DESCRIPTION
7-5	RESERVED
4-0	<p><b>SMIOVT5 Temperature selection.</b></p> <p><b>Bits</b>  <b>4 3 2 1 0</b></p> <p>0 0 0 0 1: Select <b>SYSTIN</b> as SMIOVT5 monitoring source. (Default)</p>



0 0 0 1 0:	Select <b>CPUTIN</b> as SMIOVT5 monitoring source.
0 0 0 1 1:	Select <b>AUXTIN</b> as SMIOVT5 monitoring source.
0 0 1 0 0:	Select <b>SMBUSMASTER 0</b> as SMIOVT5 monitoring source.
0 0 1 0 1:	Select <b>SMBUSMASTER 1</b> as SMIOVT5 monitoring source.
0 0 1 1 0:	Select <b>SMBUSMASTER 2</b> as SMIOVT5 monitoring source.
0 0 1 1 1:	Select <b>SMBUSMASTER 3</b> as SMIOVT5 monitoring source.
0 1 0 0 0:	Select <b>SMBUSMASTER 4</b> as SMIOVT5 monitoring source.
0 1 0 0 1:	Select <b>SMBUSMASTER 5</b> as SMIOVT5 monitoring source.
0 1 0 1 0:	Select <b>SMBUSMASTER 6</b> as SMIOVT5 monitoring source.
0 1 0 1 1:	Select <b>SMBUSMASTER 7</b> as SMIOVT5 monitoring source.
0 1 1 0 0:	Select <b>PECI Agent 0</b> as SMIOVT5 monitoring source.
0 1 1 0 1:	Select <b>PECI Agent 1</b> as SMIOVT5 monitoring source.
0 1 1 1 0:	Select <b>PCH_CHIP_CPU_MAX_TEMP</b> as SMIOVT5 monitoring source.
0 1 1 1 1:	Select <b>PCH_CHIP_TEMP</b> as SMIOVT5 monitoring source.
1 0 0 0 0:	Select <b>PCH_CPU_TEMP</b> as SMIOVT5 monitoring source.
1 0 0 0 1:	Select <b>PCH_MCH_TEMP</b> as SMIOVT5 monitoring source.
1 0 0 1 0:	Select <b>PCH_DIM0_TEMP</b> as SMIOVT5 monitoring source.
1 0 0 1 1:	Select <b>PCH_DIM1_TEMP</b> as SMIOVT5 monitoring source.
1 0 1 0 0:	Select <b>PCH_DIM2_TEMP</b> as SMIOVT5 monitoring source.
1 0 1 0 1:	Select <b>PCH_DIM3_TEMP</b> as SMIOVT5 monitoring source.
1 0 1 1 0:	Select <b>BYTE_TEMP</b> as SMIOVT5 monitoring source.

### 9.256 SMIOVT6 Temperature Source Select Register – Index 26 (Bank 6)

Attribute: Read/Write

Size: 8 bits

BIT	7	6	5	4	3	2	1	0
NAME	RESERVED			SMIOVT_SRC6				
DEFAULT	0	0	0	0	0	0	0	1

BIT	DESCRIPTION
7-5	RESERVED
4-0	<p><b>SMIOVT6 Temperature selection.</b></p> <p><b>Bits</b></p> <p><b>4 3 2 1 0</b></p> <p>0 0 0 0 1: Select <b>SYSTIN</b> as SMIOVT6 monitoring source. (Default)</p> <p>0 0 0 1 0: Select <b>CPUTIN</b> as SMIOVT6 monitoring source.</p> <p>0 0 0 1 1: Select <b>AUXTIN</b> as SMIOVT6 monitoring source.</p> <p>0 0 1 0 0: Select <b>SMBUSMASTER 0</b> as SMIOVT6 monitoring source.</p> <p>0 0 1 0 1: Select <b>SMBUSMASTER 1</b> as SMIOVT6 monitoring source.</p> <p>0 0 1 1 0: Select <b>SMBUSMASTER 2</b> as SMIOVT6 monitoring source.</p> <p>0 0 1 1 1: Select <b>SMBUSMASTER 3</b> as SMIOVT6 monitoring source.</p> <p>0 1 0 0 0: Select <b>SMBUSMASTER 4</b> as SMIOVT6 monitoring source.</p> <p>0 1 0 0 1: Select <b>SMBUSMASTER 5</b> as SMIOVT6 monitoring source.</p> <p>0 1 0 1 0: Select <b>SMBUSMASTER 6</b> as SMIOVT6 monitoring source.</p> <p>0 1 0 1 1: Select <b>SMBUSMASTER 7</b> as SMIOVT6 monitoring source.</p> <p>0 1 1 0 0: Select <b>PECI Agent 0</b> as SMIOVT6 monitoring source.</p> <p>0 1 1 0 1: Select <b>PECI Agent 1</b> as SMIOVT6 monitoring source.</p>

0 1 1 1 0:	Select <b>PCH_CHIP_CPU_MAX_TEMP</b> as SMIOVT6 monitoring source.
0 1 1 1 1:	Select <b>PCH_CHIP_TEMP</b> as SMIOVT6 monitoring source.
1 0 0 0 0:	Select <b>PCH_CPU_TEMP</b> as SMIOVT6 monitoring source.
1 0 0 0 1:	Select <b>PCH_MCH_TEMP</b> as SMIOVT6 monitoring source.
1 0 0 1 0:	Select <b>PCH_DIM0_TEMP</b> as SMIOVT6 monitoring source.
1 0 0 1 1:	Select <b>PCH_DIM1_TEMP</b> as SMIOVT6 monitoring source.
1 0 1 0 0:	Select <b>PCH_DIM2_TEMP</b> as SMIOVT6 monitoring source.
1 0 1 0 1:	Select <b>PCH_DIM3_TEMP</b> as SMIOVT6 monitoring source.
1 0 1 1 0:	Select <b>BYTE_TEMP</b> as SMIOVT6 monitoring source.

**9.257 Reserved Register – Index 27h (Bank 6)**

**9.258 SMIOVT4 Temperature Source Configuration Register – Index 28h (Bank 6)**

Attribute: Read/Write

Size: 8 bits

BIT	7	6	5	4	3	2	1	0
NAME	RESERVED			FAULT		RESERVED	OVTMOD	STOP
DEFAULT	0	0	0	0	0	0	0	0

BIT	DESCRIPTION
7-5	<b>Reserved.</b> This bit should be set to zero.
4-3	<b>Fault.</b> Number of faults to detect before setting OVT# output. This avoids false strapping due to noise.
2	<b>Reserved.</b> This bit should be set to zero.
1	<b>OVTMOD. SMIOVT4 Mode Select.</b> 0: Compare Mode. (Default) 1: Interrupt Mode.
0	<b>STOP.</b> 0: Monitor SMIOVT4 temperature source. 1: Stop monitoring SMIOVT4 temperature source.

**9.259 SMIOVT5 Temperature Source Configuration Register – Index 29h (Bank 6)**

Attribute: Read/Write

Size: 8 bits

BIT	7	6	5	4	3	2	1	0
NAME	RESERVED			FAULT		RESERVED	OVTMOD	STOP
DEFAULT	0	0	0	0	0	0	0	0

BIT	DESCRIPTION
7-5	<b>Reserved.</b> This bit should be set to zero.
4-3	<b>Fault.</b> Number of faults to detect before setting OVT# output. This avoids false strapping due to noise.
2	<b>Reserved.</b> This bit should be set to zero.
1	<b>OVTMOD. SMIOVT5 Mode Select.</b>

BIT	DESCRIPTION
	0: Compare Mode. (Default) 1: Interrupt Mode.
0	<b>STOP.</b> 0: Monitor SMIOVT5 temperature source. 1: Stop monitoring SMIOVT5 temperature source.

### 9.260 SMIOVT6 Temperature Source Configuration Register – Index 2Ah (Bank 6)

Attribute: Read/Write

Size: 8 bits

BIT	7	6	5	4	3	2	1	0
<b>NAME</b>	RESERVED			FAULT		RESERVED	OVTMOD	STOP
<b>DEFAULT</b>	0	0	0	0	0	0	0	0

BIT	DESCRIPTION
7-5	<b>Reserved.</b> This bit should be set to zero.
4-3	<b>Fault.</b> Number of faults to detect before setting OVT# output. This avoids false strapping due to noise.
2	<b>Reserved.</b> This bit should be set to zero.
1	<b>OVTMOD. SMIOVT6 Mode Select.</b> 0: Compare Mode. (Default) 1: Interrupt Mode.
0	<b>STOP.</b> 0: Monitor SMIOVT6 temperature source. 1: Stop monitoring SMIOVT6 temperature source.

### 9.261 SMIOVT4 Temperature Source (High Byte) Register – Index 2Bh (Bank 6)

Attribute: Read Only

Size: 8 bits

BIT	7	6	5	4	3	2	1	0
<b>NAME</b>	TEMP<8:1>							

BIT	DESCRIPTION
7-0	<b>TEMP&lt;8:1&gt;</b> (default: SYSTIN temperature source). The nine-bit value is in units of 0.5°C.

### 9.262 SMIOVT5 Temperature Source (High Byte) Register – Index 2Ch (Bank 6)

Attribute: Read Only

Size: 8 bits

BIT	7	6	5	4	3	2	1	0
<b>NAME</b>	TEMP<8:1>							

BIT	DESCRIPTION
7-0	<b>TEMP&lt;8:1&gt;</b> (default: SYSTIN temperature source). The nine-bit value is in units of 0.5°C.

### 9.263 SMIOVT6 Temperature Source (High Byte) Register – Index 2Dh (Bank 6)

Attribute: Read Only

Size: 8 bits

BIT	7	6	5	4	3	2	1	0
NAME	TEMP<8:1>							

BIT	DESCRIPTION
7-0	<b>TEMP&lt;8:1&gt;</b> (default: SYSTIN temperature source). The nine-bit value is in units of 0.5°C.

### 9.264 SMIOVT4/SMIOVT5/SMIOVT6 Temperature Source (Low Byte) Register – Index 2Eh (Bank 6)

Attribute: Read Only

Size: 8 bits

BIT	7	6	5	4	3	2	1	0
NAME	RESERVED					TEMP6<0>	TEMP5<0>	TEMP4<0>

BIT	DESCRIPTION
7-3	Reserved.
2	<b>SMIOVT6 Temperature &lt;0&gt;</b> (default: SYSTIN temperature source). The nine-bit value is in units of 0.5°C.
1	<b>SMIOVT5 Temperature &lt;0&gt;</b> (default: SYSTIN temperature source). The nine-bit value is in units of 0.5°C.
0	<b>SMIOVT4 Temperature &lt;0&gt;</b> (default: SYSTIN temperature source). The nine-bit value is in units of 0.5°C.

### 9.265 Reserved Register – Index 2Fh (Bank 6)

### 9.266 (SYSFANIN) FANIN1 COUNT High-byte Register – Index 30h (Bank 6)

Attribute: Read

Size: 8 bits

BIT	7	6	5	4	3	2	1	0
NAME	FANCNT1 [12:5]							
DEFAULT	1	1	1	1	1	1	1	1

BIT	DESCRIPTION
7-0	<b>FANCNT1_H:</b> 13-bit SYSFANIN Fan Count, High Byte

**9.267 (SYSFANIN) FANIN1 COUNT Low-byte Register – Index 31h (Bank 6)**

Attribute: Read

Size: 8 bits

<b>BIT</b>	7	6	5	4	3	2	1	0
<b>NAME</b>	RESERVED				FANCNT1 [4:0]			
<b>DEFAULT</b>	0				1F			

BIT	DESCRIPTION
7-5	Reserved.
4-0	FANCNT1_L: 13-bit SYSFANIN Fan Count, Low Byte

**9.268 (CPUFANIN) FANIN2 COUNT High-byte Register – Index 32h (Bank 6)**

Attribute: Read

Size: 8 bits

<b>BIT</b>	7	6	5	4	3	2	1	0
<b>NAME</b>	FANCNT2 [12:5]							
<b>DEFAULT</b>	1	1	1	1	1	1	1	1

BIT	DESCRIPTION
7-0	FANCNT2_H: 13-bit SYSFANIN Fan Count, High Byte

**9.269 (CPUFANIN) FANIN2 COUNT Low-byte Register – Index 33h (Bank 6)**

Attribute: Read

Size: 8 bits

<b>BIT</b>	7	6	5	4	3	2	1	0
<b>NAME</b>	RESERVED				FANCNT2[4:0]			
<b>DEFAULT</b>	0				1F			

BIT	DESCRIPTION
7-5	Reserved.
4-0	FANCNT2_L: 13-bit SYSFANIN Fan Count, Low Byte

**9.270 Reserved Register – Index 34h (Bank 6)**

**9.271 Reserved Register – Index 35h (Bank 6)**

**9.272 Reserved Register – Index 36h (Bank 6)**

**9.273 Reserved Register – Index 37h (Bank 6)**

**9.274 Reserved Register – Index 38h (Bank 6)**

**9.275 Reserved Register – Index 39h (Bank 6)**

**9.276 (SYSFANIN) Fan Count Limit High-byte Register – Index 3Ah (Bank 6)**

Attribute: Read / Write

Size: 8 bits

<b>BIT</b>	7	6	5	4	3	2	1	0
<b>NAME</b>	FANIN1_HL [12:5]							
<b>DEFAULT</b>	0	0	0	0	0	0	0	0

<b>BIT</b>	<b>DESCRIPTION</b>
7-0	<b>FANIN1_HL:</b> 13-bit SYSFANIN Fan Count Limit, High Byte

**9.277 (SYSFANIN) Fan Count Limit Low-byte Register – Index 3Bh (Bank 6)**

Attribute: Read / Write

Size: 8 bits

<b>BIT</b>	7	6	5	4	3	2	1	0
<b>NAME</b>	RESERVED			FANIN1_HL [4:0]				
<b>DEFAULT</b>	0			0				

<b>BIT</b>	<b>DESCRIPTION</b>
7-5	Reserved.
4-0	<b>FANIN1_HL:</b> 13-bit SYSFANIN Fan Count Limit, Low Byte

**9.278 (CPUFANIN) Fan Count Limit High-byte Register – Index 3Ch (Bank 6)**

Attribute: Read / Write

Size: 8 bits

<b>BIT</b>	7	6	5	4	3	2	1	0
<b>NAME</b>	FANIN2_HL [12:5]							
<b>DEFAULT</b>	0	0	0	0	0	0	0	0

<b>BIT</b>	<b>DESCRIPTION</b>
7-0	<b>FANIN2_HL:</b> 13-bit SYSFANIN Fan Count Limit, High Byte

**9.279 (CPUFANIN) Fan Count Limit Low-byte Register – Index 3Dh (Bank 6)**

Attribute: Read / Write

Size: 8 bits

<b>BIT</b>	7	6	5	4	3	2	1	0
------------	---	---	---	---	---	---	---	---

<b>NAME</b>	<b>RESERVED</b>	<b>FANIN2_HL [4:0]</b>
<b>DEFAULT</b>	<b>0</b>	<b>0</b>

BIT	DESCRIPTION
7-5	Reserved.
4-0	<b>FANIN2_HL:</b> 13-bit SYSFANIN Fan Count Limit, Low Byte

**9.280 Reserved Register – Index 3Eh (Bank 6)**

**9.281 Reserved Register – Index 3Fh (Bank 6)**

**9.282 Reserved Register – Index 40h (Bank 6)**

**9.283 Reserved Register – Index 41h (Bank 6)**

**9.284 Reserved Register – Index 42h (Bank 6)**

**9.285 Reserved Register – Index 43h (Bank 6)**

**9.286 SYSFANIN Revolution Pulses Selection Register – Index 44h (Bank 6)**

Attribute: Read /Write

Size: 8 bits

<b>BIT</b>	7	6	5	4	3	2	1	0
<b>NAME</b>	Reserved						HM_Rev_Pulse_Fan1_Sel	
<b>DEFAULT</b>	0	0	0	0	0	0	1	0

BIT	DESCRIPTION
7-2	Reserved
1-0	<b>SYSFANIN Revolution Pulses Selection</b> = 00, four pulses per revolution. = 01, one pulse per revolution. = 10, two pulses per revolution. (default) = 11, three pulses per revolution.

**9.287 CPUFANIN Revolution Pulses Selection Register – Index 45h (Bank 6)**

Attribute: Read /Write

Size: 8 bits

<b>BIT</b>	7	6	5	4	3	2	1	0
<b>NAME</b>	Reserved						HM_Rev_Pulse_Fan2_Sel	
<b>DEFAULT</b>	0	0	0	0	0	0	1	0

BIT	DESCRIPTION
7-2	Reserved
1-0	<b>CPUFANIN Revolution Pulses Selection</b> = 00, four pulses per revolution. = 01, one pulse per revolution. = 10, two pulses per revolution. (default) = 11, three pulses per revolution.

**9.288 Reserved Register – Index 46h (Bank 6)**

**9.289 SMIOVT1 SMI# Shut-down mode High Limit Temperature Register – Index 50h (Bank 6)**

Attribute: Read/Write  
 Size: 8 bits

BIT	7	6	5	4	3	2	1	0
NAME	SMIOVT1 SMI# Shut-down mode High Limit Temperature							
DEFAULT	0	1	1	1	1	1	1	1

BIT	DESCRIPTION
7-0	SMIOVT1 SMI# Shut-down mode High Limit Temperature.

**9.290 SMIOVT1 SMI# Shut-down mode Low Limit Temperature Register – Index 51h (Bank 6)**

Attribute: Read/Write  
 Size: 8 bits

BIT	7	6	5	4	3	2	1	0
NAME	SMIOVT1 SMI# Shut-down mode Low Limit Temperature							
DEFAULT	0	1	1	1	1	1	1	1

BIT	DESCRIPTION
7-0	SMIOVT1 SMI# Shut-down mode Low Limit Temperature.

**9.291 SMIOVT2 SMI# Shut-down mode High Limit Temperature Register – Index 52h (Bank 6)**

Attribute: Read/Write  
 Size: 8 bits

BIT	7	6	5	4	3	2	1	0
NAME	SMIOVT2 SMI# Shut-down mode High Limit Temperature							
DEFAULT	0	1	1	1	1	1	1	1

BIT	DESCRIPTION
-----	-------------



7-0	<b>SMIOVT2 SMI# Shut-down mode High Limit Temperature.</b>
-----	--

**9.292 SMIOVT2 SMI# Shut-down mode Low Limit Temperature Register – Index 53h (Bank 6)**

Attribute: Read/Write

Size: 8 bits

BIT	7	6	5	4	3	2	1	0
NAME	<b>SMIOVT2 SMI# Shut-down mode Low Limit Temperature</b>							
DEFAULT	0	1	1	1	1	1	1	1

BIT	DESCRIPTION
7-0	<b>SMIOVT2 SMI# Shut-down mode Low Limit Temperature.</b>

**9.293 SMIOVT3 SMI# Shut-down mode High Limit Temperature Register – Index 54h (Bank 6)**

Attribute: Read/Write

Size: 8 bits

BIT	7	6	5	4	3	2	1	0
NAME	<b>SMIOVT3 SMI# Shut-down mode High Limit Temperature</b>							
DEFAULT	0	1	1	1	1	1	1	1

BIT	DESCRIPTION
7-0	<b>SMIOVT3 SMI# Shut-down mode High Limit Temperature.</b>

**9.294 SMIOVT3 SMI# Shut-down mode Low Limit Temperature Register – Index 55h (Bank 6)**

Attribute: Read/Write

Size: 8 bits

BIT	7	6	5	4	3	2	1	0
NAME	<b>SMIOVT3 SMI# Shut-down mode Low Limit Temperature</b>							
DEFAULT	0	1	1	1	1	1	1	1

BIT	DESCRIPTION
7-0	<b>SMIOVT3 SMI# Shut-down mode Low Limit Temperature.</b>

**9.295 SYSFANIN SPEED HIGH-BYTE VALUE (RPM) - Index 56h (Bank 6)**

Attribute: Read Only

Size: 8 bits

BIT	7	6	5	4	3	2	1	0
NAME	<b>SYSFANIN SPEED HIGH-BYTE VALUE</b>							

DEFAULT	0	0	0	0	0	0	0	0	0
---------	---	---	---	---	---	---	---	---	---

BIT	DESCRIPTION
7-0	SYSFANIN SPEED HIGH-BYTE VALUE.

**9.296 SYSFANIN SPEED LOW-BYTE VALUE (RPM) - Index 57h (Bank 6)**

Attribute: Read Only

Size: 8 bits

BIT	7	6	5	4	3	2	1	0
NAME	SYSFANIN SPEED LOW-BYTE VALUE							
DEFAULT	1	0	1	0	0	1	0	0

BIT	DESCRIPTION
7-0	SYSFANIN SPEED LOW-BYTE VALUE.

**9.297 CPUFANIN SPEED HIGH-BYTE VALUE (RPM) – Index 58h (Bank 6)**

Attribute: Read Only

Size: 8 bits

BIT	7	6	5	4	3	2	1	0
NAME	CPUFANIN SPEED HIGH-BYTE VALUE							
DEFAULT	0	0	0	0	0	0	0	0

BIT	DESCRIPTION
7-0	CPUFANIN SPEED HIGH-BYTE VALUE.

**9.298 CPUFANIN SPEED LOW-BYTE VALUE (RPM) – Index 59h (Bank 6)**

Attribute: Read Only

Size: 8 bits

BIT	7	6	5	4	3	2	1	0
NAME	CPUFANIN SPEED LOW-BYTE VALUE							
DEFAULT	1	0	1	0	0	1	0	0

BIT	DESCRIPTION
7-0	CPUFANIN SPEED LOW-BYTE VALUE.

**9.299 Reserved Register – Index 5Ah (Bank 6)**

**9.300 Reserved Register – Index 5Bh (Bank 6)**

9.301 Reserved Register – Index 5Ch (Bank 6)

9.302 Reserved Register – Index 5Dh (Bank 6)

9.303 Reserved Register – Index 5Eh (Bank 6)

9.304 Reserved Register – Index 5Fh (Bank 6)

9.305 SMIOVT4 SMI# Shut-down mode High Limit Temperature Register – Index 70h (Bank 6)

Attribute: Read/Write

Size: 8 bits

BIT	7	6	5	4	3	2	1	0
NAME	SMIOVT4 SMI# Shut-down mode High Limit Temperature							
DEFAULT	0	1	1	1	1	1	1	1

BIT	DESCRIPTION
7-0	SMIOVT4 SMI# Shut-down mode High Limit Temperature.

9.306 SMIOVT4 SMI# Shut-down mode Low Limit Temperature Register – Index 71h (Bank 6)

Attribute: Read/Write

Size: 8 bits

BIT	7	6	5	4	3	2	1	0
NAME	SMIOVT4 SMI# Shut-down mode Low Limit Temperature							
DEFAULT	0	1	1	1	1	1	1	1

BIT	DESCRIPTION
7-0	SMIOVT4 SMI# Shut-down mode Low Limit Temperature.

9.307 SMIOVT4 Temperature Source Over-temperature (High Byte) Register – Index 72h (Bank 6)

Attribute: Read/Write

Size: 8 bits

BIT	7	6	5	4	3	2	1	0
NAME	TOVF<8:1>							
DEFAULT	0	1	0	1	0	0	0	0

BIT	DESCRIPTION
-----	-------------

BIT	DESCRIPTION
7-0	<b>TOVF&lt;8:1&gt;</b> . Over-temperature bits 8-1. The nine-bit value is in units of 0.5°C, and the default is 80°C.

**9.308 SMIOVT4 Temperature Source Hysteresis (High Byte) Register – Index 73h (Bank 6)**

Attribute: Read/Write

Size: 8 bits

BIT	7	6	5	4	3	2	1	0
<b>NAME</b>	<b>THYST&lt;8:1&gt;</b>							
<b>DEFAULT</b>	0	1	0	0	1	0	1	1

BIT	DESCRIPTION
7-0	<b>THYST&lt;8:1&gt;</b> . Hysteresis temperature bits 8-1. The nine-bit value is in units of 0.5°C, and the default is 75°C.

**9.309 SMIOVT4 Over-temperature and Hysteresis LSB Temperature and DIS\_OVT and EN\_WS Register – Index 74h (Bank 6)**

Attribute: Read/Write

Size: 8 bits

BIT	7	6	5	4	3	2	1	0	
<b>NAME</b>	<b>TOVF&lt;0&gt;</b>	Reserved				<b>DIS_OVT_T4</b>	<b>EN_WS_T4</b>	<b>THYST&lt;0&gt;</b>	
<b>DEFAULT</b>	0	0	0	0	0	1	0	0	

BIT	DESCRIPTION
7	<b>TOVF&lt;0&gt;</b> : Over-temperature bits0.
6-3	<b>Reserved</b>
2	<b>DIS_OVT_T4:</b> 0: Enable SMIOVT4 OVT Output 1: Disable SMIOVT4 OVT Output
1	<b>EN_WS_T4</b> 1: SMI# output type of temperature SMIOVT4 temperature is Shut-down Interrupt Mode. 0: SMI# output type is in Shut_down Interrupt Mode. (Default)
0	<b>THYST&lt;0&gt;</b> : Hysteresis temperature bit0.

**9.310 SMIOVT5 SMI# Shut-down mode High Limit Temperature Register – Index 75h (Bank 6)**

Attribute: Read/Write

Size: 8 bits

BIT	7	6	5	4	3	2	1	0
<b>NAME</b>	<b>SMIOVT5 SMI# Shut-down mode High Limit Temperature</b>							
<b>DEFAULT</b>	0	1	1	1	1	1	1	1

BIT	DESCRIPTION
7-0	SMIOVT5 SMI# Shut-down mode High Limit Temperature.

**9.311 SMIOVT5 SMI# Shut-down mode Low Limit Temperature Register – Index 76h (Bank 6)**

Attribute: Read/Write

Size: 8 bits

BIT	7	6	5	4	3	2	1	0
NAME	SMIOVT5 SMI# Shut-down mode Low Limit Temperature							
DEFAULT	0	1	1	1	1	1	1	1

BIT	DESCRIPTION
7-0	SMIOVT5 SMI# Shut-down mode Low Limit Temperature.

**9.312 SMIOVT5 Temperature Source Over-temperature (High Byte) Register – Index 77h (Bank 6)**

Attribute: Read/Write

Size: 8 bits

BIT	7	6	5	4	3	2	1	0
NAME	TOVF<8:1>							
DEFAULT	0	1	0	1	0	0	0	0

BIT	DESCRIPTION
7-0	TOVF<8:1>. Over-temperature bits 8-1. The nine-bit value is in units of 0.5°C, and the default is 80°C.

**9.313 SMIOVT5 Temperature Source Hysteresis (High Byte) Register – Index 78h (Bank 6)**

Attribute: Read/Write

Size: 8 bits

BIT	7	6	5	4	3	2	1	0
NAME	THYST<8:1>							
DEFAULT	0	1	0	0	1	0	1	1

BIT	DESCRIPTION
7-0	THYST<8:1>. Hysteresis temperature bits 8-1. The nine-bit value is in units of 0.5°C, and the default is 75°C.

**9.314 SMIOVT5 Over-temperature and Hysteresis LSB Temperature and DIS\_OVT and EN\_WS Register – Index 79h (Bank 6)**

Attribute: Read/Write  
 Size: 8 bits

BIT	7	6	5	4	3	2	1	0
NAME	TOVF<0>	Reserved				DIS_OVT_T5	EN_WS_T5	THYST<0>
DEFAULT	0	0	0	0	0	1	0	0

BIT	DESCRIPTION
7	TOVF<0>: Over-temperature bits0.
6-3	Reserved
2	DIS_OVT_T5: 0: Enable SMIOVT5 OVT Output 1: Disable SMIOVT5 OVT Output
1	EN_WS_T5: 1: SMI# output type of temperature SMIOVT5 temperature is Shut-down Interrupt Mode. 0: SMI# output type is in Shut_down Interrupt Mode. (Default)
0	THYST<0>: Hysteresis temperature bit0.

**9.315 SMIOVT6 SMI# Shut-down mode High Limit Temperature Register – Index 7Ah (Bank 6)**

Attribute: Read/Write  
 Size: 8 bits

BIT	7	6	5	4	3	2	1	0
NAME	SMIOVT6 SMI# Shut-down mode High Limit Temperature							
DEFAULT	0	1	1	1	1	1	1	1

BIT	DESCRIPTION
7-0	SMIOVT6 SMI# Shut-down mode High Limit Temperature.

**9.316 SMIOVT6 SMI# Shut-down mode Low Limit Temperature Register – Index 7Bh (Bank 6)**

Attribute: Read/Write  
 Size: 8 bits

BIT	7	6	5	4	3	2	1	0
NAME	SMIOVT6 SMI# Shut-down mode Low Limit Temperature							
DEFAULT	0	1	1	1	1	1	1	1

BIT	DESCRIPTION
7-0	SMIOVT6 SMI# Shut-down mode Low Limit Temperature.

**9.317 SMIOVT6 Temperature Source Over-temperature (High Byte) Register – Index 7Ch (Bank 6)**

Attribute: Read/Write  
 Size: 8 bits

BIT	7	6	5	4	3	2	1	0
NAME	TOVF<8:1>							
DEFAULT	0	1	0	1	0	0	0	0

BIT	DESCRIPTION
7-0	<b>TOVF&lt;8:1&gt;</b> . Over-temperature bits 8-1. The nine-bit value is in units of 0.5°C, and the default is 80°C.

### 9.318 SMIOVT6 Temperature Source Hysteresis (High Byte) Register – Index 7Dh (Bank 6)

Attribute: Read/Write  
 Size: 8 bits

BIT	7	6	5	4	3	2	1	0
NAME	THYST<8:1>							
DEFAULT	0	1	0	0	1	0	1	1

BIT	DESCRIPTION
7-0	<b>THYST&lt;8:1&gt;</b> . Hysteresis temperature bits 8-1. The nine-bit value is in units of 0.5°C, and the default is 75°C.

### 9.319 SMIOVT6 Over-temperature and Hysteresis LSB Temperature and DIS\_OVT and EN\_WS Register – Index 7Eh (Bank 6)

Attribute: Read/Write  
 Size: 8 bits

BIT	7	6	5	4	3	2	1	0
NAME	TOVF<0>	Reserved				DIS_OVT_T6	EN_WS_T6	THYST<0>
DEFAULT	0	0	0	0	0	1	0	0

BIT	DESCRIPTION
7	<b>TOVF&lt;0&gt;</b> : Over-temperature bits0.
6-3	<b>Reserved</b>
2	<b>DIS_OVT_T6</b> : 0: Enable SMIOVT6 OVT Output 1: Disable SMIOVT6 OVT Output
1	<b>EN_WS_T6</b> : 1: SMI# output type of temperature SMIOVT6 temperature is Shut-down Interrupt Mode. 0: SMI# output type is in Shut_down Interrupt Mode. (Default)
0	<b>THYST&lt;0&gt;</b> : Hysteresis temperature bit0.

### 9.320 Reserved Register – Index 7Fh (Bank 6)

### 9.321 PECl Function Control Registers – Index 01 ~ 04h (Bank 7)

#### 9.322 PECl Enable Function Register – Index 01h (Bank 7)

Attribute: Read/Write

Size: 8 bits

BIT	7	6	5	4	3	2	1	0
NAME	PECl_En	Reserved				Is_PECl30	Manual_En	Routine_En
DEFAULT	0	0	0	1	0	1	0	0

BIT	READ / WRITE	DESCRIPTION
7	R / W	Enable PECl Function. ( <b>PECl_En</b> )
6 ~ 3	R / W	Reserved
2	R / W	Enable PECl 3.0 Command function ( <b>Is_PECl30</b> )
1	R / W	Enable PECl 3.0 Manual Function ( <b>Manual_En</b> ) ( <b>One-shot clear</b> )
0	R / W	Enable PECl 3.0 Routine Function ( <b>Routine_En</b> )

#### 9.323 PECl Timing Config Register – Index 02h (Bank 7)

Attribute: Read/Write

Size: 8 bits

BIT	7	6	5	4	3	2	1	0
NAME	Reserved		TN_Extend		Adj[2:0]			PECl_DC
DEFAULT	0	0	0	0	0	0	1	0

BIT	READ / WRITE	DESCRIPTION
7 ~ 6	R / W	Reserve
5	R / W	<b>TN_Extend[1:0]</b> Adjust Transaction Rate. 00 <sub>BIN</sub> = 1.5 MHz (Default)
4	R / W	01 <sub>BIN</sub> = 750 KHz 10 <sub>BIN</sub> = 375 KHz 11 <sub>BIN</sub> = 187.5 KHz
3	R / W	<b>Adj[2:0]</b> Compensate the effect of rising time on physical bus Default Value = 001
2	R / W	
1	R / W	
0	R / W	Adjust PECl Tbit Duty cycle selection. ( <b>PECl_DC</b> ) 0 = 75% Tbit high duty cycle time. (Default) 1 = 68% Tbit high duty cycle time.



### 9.324 PECE Agent Config Register – Index 03h (Bank 7)

Attribute: Read/Write

Size: 8 bits

BIT	7	6	5	4	3	2	1	0
NAME	Reserved		En_Agt[1:0]		Reserved		Domain1_Agt1	Domain1_Agt0
DEFAULT	0	0	0	0	0	0	0	0

BIT	READ / WRITE	DESCRIPTION
7 ~ 6	R / W	Reserved
5	R / W	<b>En_Agt[1:0] Enable Agent</b> 00 = Disable Agent. 01 = Enable Agent0. 10 = Reserved. 11 = Enable Agent0 and Agent1.
4	R / W	
3 ~ 2	R / W	Reserved
1	R / W	Enable domain 1 for Agent1 0 = Agent1 without domain1 1 = Agent1 with domain 1
0	R / W	Enable domain 1 for Agent0 0 = Agent0 without domain 1 1 = Agent0 with domain 1

### 9.325 PECE Temperature Config Register – Index 04h (Bank 7)

Attribute: Read/Write

Size: 8 bits

BIT	7	6	5	4	3	2	1	0
NAME	Virtual_En	Reserved		Clamp	Reserved	RtDmn_Agt[1:0]		RtHigher
DEFAULT	0	0	0	0	0	0	0	0

BIT	READ / WRITE	DESCRIPTION
7	R / W	Virtual Temp Function Enable.( <b>Virtual_En</b> ) When enable this function, the temperature raw data can use LPC to write raw data to CR 17 <sub>HEX</sub> - CR 1E <sub>HEX</sub>
6 ~ 5	R / W	Reserved
4	R / W	When temperature data reading is positive or less than -128, can enable this function to clamp temperature data.( <b>Clamp</b> )
3	R / W	Reserved
2	R / W	<b>RtDmn_Agt[1:0]</b>

BIT	READ / WRITE	DESCRIPTION
1	R / W	Agent 1 – Agent 0 always return the relative domain Temperature. 0 = Agent always returns the relative temperature from domain 0. 1 = Agent always returns the relative temperature from domain 1.
0	R / W	Return High Temperature of doamin0 or domain1.(RtHigher) 0 = The temperature of each agent is returned from domain 0 or domain 1, which is controlled by (CR 04 <sub>HEX</sub> ) 1 = Return the highest temperature in domain 0 and domain 1 of individual Agent.

### 9.326 PECE Command Write Date Registers – Index 05 ~ 1Eh (Bank 7)

#### 9.327 PECE Command Address Register – Index 05h (Bank 7)

Attribute: Read/Write

Size: 8 bits

BIT	7	6	5	4	3	2	1	0
NAME	PECE Command Address							
DEFAULT	0	0	0	0	0	0	0	0

BIT	DESCRIPTION
7~0	The data would be sent to client. <b>Default value is 00<sub>HEX</sub>.</b>

#### 9.328 PECE Command Write Length Register – Index 06h (Bank 7)

Attribute: Read/Write

Size: 8 bits

BIT	7	6	5	4	3	2	1	0
NAME	PECE Command Write Length							
DEFAULT	0	0	0	0	0	0	0	0

BIT	DESCRIPTION
7~0	The data would be sent to client. <b>Default value is 00<sub>HEX</sub>.</b>

#### 9.329 PECE Command Read Length Register – Index 07h (Bank 7)

Attribute: Read/Write

Size: 8 bits

BIT	7	6	5	4	3	2	1	0
NAME	PECE Command Read Length							
DEFAULT	0	0	0	0	0	0	0	0

BIT	DESCRIPTION
-----	-------------

BIT	DESCRIPTION
7~0	The data would be sent to client. <b>Default value is 00<sub>HEX</sub>.</b>

### 9.330 PECE Command Code Register – Index 08h (Bank 7)

Attribute: Read/Write

Size: 8 bits

BIT	7	6	5	4	3	2	1	0
NAME	PECE Command Code							
DEFAULT	0	0	0	0	0	0	0	0

BIT	DESCRIPTION
7~0	The data would be sent to client. <b>Default value is 00<sub>HEX</sub>.</b>

### 9.331 PECE Command Tbase0 Register – Index 09h (Bank 7)

Attribute: Read/Write

Size: 8 bits

BIT	7	6	5	4	3	2	1	0
NAME	Reserved	Tbase 0						
DEFAULT	0	0	0	0	0	0	0	0

BIT	DESCRIPTION
7~0	The data would be sent to client. <b>Default value is 00<sub>HEX</sub>.</b>

### 9.332 PECE Command Tbase1 Register – Index 0Ah (Bank 7)

Attribute: Read/Write

Size: 8 bits

BIT	7	6	5	4	3	2	1	0
NAME	Reserved	Tbase 1						
DEFAULT	0	0	0	0	0	0	0	0

BIT	DESCRIPTION
7~0	The data would be sent to client. <b>Default value is 00<sub>HEX</sub>.</b>

### 9.333 PECE Command Write Data 1 Register – Index 0Bh (Bank 7)

Attribute: Read/Write

Size: 8 bits

BIT	7	6	5	4	3	2	1	0
NAME	PECE Write Data 1							
DEFAULT	0	0	0	0	0	0	0	0

BIT	DESCRIPTION
7~0	The data would be sent to client. <b>Default value is 00<sub>HEX</sub>.</b>

### 9.334 PECE Command Write Data 2 Register – Index 0Ch (Bank 7)

Attribute: Read/Write

Size: 8 bits

BIT	7	6	5	4	3	2	1	0
NAME	PECE Write Data 2							
DEFAULT	0	0	0	0	0	0	0	0

BIT	DESCRIPTION
7~0	The data would be sent to client. <b>Default value is 00<sub>HEX</sub>.</b>

### 9.335 PECE Command Write Data 3 Register – Index 0Dh (Bank 7)

Attribute: Read/Write

Size: 8 bits

BIT	7	6	5	4	3	2	1	0
NAME	PECE Write Data 3							
DEFAULT	0	0	0	0	0	0	0	0

BIT	DESCRIPTION
7~0	The data would be sent to client. <b>Default value is 00<sub>HEX</sub>.</b>

### 9.336 PECE Command Write Data 4 Register – Index 0Eh (Bank 7)

Attribute: Read/Write

Size: 8 bits

BIT	7	6	5	4	3	2	1	0
NAME	PECE Write Data 4							
DEFAULT	0	0	0	0	0	0	0	0

BIT	DESCRIPTION
7~0	The data would be sent to client. <b>Default value is 00<sub>HEX</sub>.</b>

### 9.337 PECE Command Write Data 5 Register – Index 0Fh (Bank 7)

Attribute: Read/Write

Size: 8 bits

BIT	7	6	5	4	3	2	1	0
NAME	PECI Write Data 5							
DEFAULT	0	0	0	0	0	0	0	0

BIT	DESCRIPTION
7~0	The data would be sent to client. <b>Default value is 00<sub>HEX</sub>.</b>

### 9.338 Peci Command Write Data 6 Register – Index 10h (Bank 7)

Attribute: Read/Write

Size: 8 bits

BIT	7	6	5	4	3	2	1	0
NAME	PECI Write Data 6							
DEFAULT	0	0	0	0	0	0	0	0

BIT	DESCRIPTION
7~0	The data would be sent to client. <b>Default value is 00<sub>HEX</sub>.</b>

### 9.339 Peci Command Write Data 7 Register – Index 11h (Bank 7)

Attribute: Read/Write

Size: 8 bits

BIT	7	6	5	4	3	2	1	0
NAME	PECI Write Data 7							
DEFAULT	0	0	0	0	0	0	0	0

BIT	DESCRIPTION
7~0	The data would be sent to client. <b>Default value is 00<sub>HEX</sub>.</b>

### 9.340 Peci Command Write Data 8 Register – Index 12h (Bank 7)

Attribute: Read/Write

Size: 8 bits

BIT	7	6	5	4	3	2	1	0
NAME	PECI Write Data 8							
DEFAULT	0	0	0	0	0	0	0	0

BIT	DESCRIPTION
7~0	The data would be sent to client. <b>Default value is 00<sub>HEX</sub></b> .

### 9.341 PECE Command Write Data 9 Register – Index 13h (Bank 7)

Attribute: Read/Write

Size: 8 bits

BIT	7	6	5	4	3	2	1	0
NAME	PECE Write Data 9							
DEFAULT	0	0	0	0	0	0	0	0

BIT	DESCRIPTION
7~0	The data would be sent to client. <b>Default value is 00<sub>HEX</sub></b> .

### 9.342 PECE Command Write Data 10 Register – Index 14h (Bank 7)

Attribute: Read/Write

Size: 8 bits

BIT	7	6	5	4	3	2	1	0
NAME	PECE Write Data 10							
DEFAULT	0	0	0	0	0	0	0	0

BIT	DESCRIPTION
7~0	The data would be sent to client. <b>Default value is 00<sub>HEX</sub></b> .

### 9.343 PECE Command Write Data 11 Register – Index 15h (Bank 7)

Attribute: Read/Write

Size: 8 bits

BIT	7	6	5	4	3	2	1	0
NAME	PECE Write Data 11							
DEFAULT	0	0	0	0	0	0	0	0

BIT	DESCRIPTION
7~0	The data would be sent to client. <b>Default value is 00<sub>HEX</sub></b> .

### 9.344 PECE Command Write Data 12 Register – Index 16h (Bank 7)

Attribute: Read/Write

Size: 8 bits

BIT	7	6	5	4	3	2	1	0
NAME	PECI Write Data 12							
DEFAULT	0	0	0	0	0	0	0	0

BIT	DESCRIPTION
7~0	The data would be sent to client. <b>Default value is 00<sub>HEX</sub></b> .

### 9.345 PECE Agent Relative Temperature Register – Index 17h-1Eh (Bank 7)

These registers return the raw data retrieved from PECE GetTemp(). The data may be the error code (range: 8000H~81FFH) or relative temperatures to process the defined **Tbase**. The error code will only be update in **ARTR** and absolute Temperature will not be updated when the error code is received. If the **RtHigher** mechanism is activated, the normal temperature will always be returned first. In case both 2 domains return errors, the return priority will be Overflow Error > Underflow Error > Missing Diode > General Error. The reset value is 8001<sub>HEX</sub>, in that PECE is defaulted to be off. In PECE, 8001<sub>HEX</sub> means the diode is missing.

Attribute: Read / Write(When Virtual\_En enable)

ADDRESS 17-1E	DESCRIPTION
17h[15:8],18h[7:0]	Domain0 Relative Temperature Agent0 [15:0]
19h[15:8],1Ah[7:0]	Domain1 Relative Temperature Agent0 [15:0]
1Bh[15:8],1Ch[7:0]	Domain0 Relative Temperature Agent1 [15:0]
1Dh[15:8],1Eh[7:0]	Domain1 Relative Temperature Agent1 [15:0]

GetTemp() PECE Temperature format:

BIT	DESCRIPTION
15	Sign Bit. ( <b>Sign</b> ) In PECE Protocol, this bit should always be 1 to represent a negative temperature.
14-6	The integer part of the relative temperature. ( <b>Temperature[8:0]</b> )
5	<b>TEMP_2</b> . 0.5°C unit.
4	<b>TEMP_4</b> . 0.25°C unit.
3	<b>TEMP_8</b> . 0.125°C unit.
2	<b>TEMP_16</b> . 0.0625°C unit.
1	<b>TEMP_32</b> . 0.03125°C unit.
0	<b>TEMP_64</b> . 0.015625°C unit.

GetTemp() Response Definition:

RESPONSE	MEANING
General Sensor Error (GSE)	Thermal scan did not complete in time. Retry is appropriate.
0x0000	Processor is running at its maximum temperature or is currently being reset.

All other data	Valid temperature reading, reported as a negative offset from the TCC activation temperature. The valide temperature reading is referred to <u>GetTemp() PECL Temperature format</u>
----------------	---

Error Code	Description	Host operation
8000 <sub>HEX</sub>	General Sensor Error	No further processing.
8001 <sub>HEX</sub>	Sensing Device Missing	
8002 <sub>HEX</sub>	Operational, but the temperature is lower than the sensor operation range.	Compulsorily write 0°C back to the temperature readouts.
8003 <sub>HEX</sub>	Operational, but the temperature is higher than the sensor operation range.	Compulsorily write 127°C back to the temperature readouts.
8004 <sub>HEX</sub>	Reserved.	No further operation.
81FF <sub>HEX</sub>		

### 9.346 PECL Command Read Date Registers – Index 1F ~ 32h (Bank 7)

### 9.347 PECL Alive Agent Register – Index 1Fh (Bank 7)

Attribute: Read only

Size: 8 bits

Record which agentis able to respond to Ping().**Default value is 00<sub>HEX</sub>.**

1: agent is able to respond to Ping() command. Agent alive

0: agent isn't able to respond to Ping() command. Agent is not alive

BIT	7	6	5	4	3	2	1	0
NAME	Reserved				PECL Alive Agent			
DEFAULT	0	0	0	0	0	0	0	0

BIT	DESCRIPTION
7~4	Reserve
3	1: agent3 is able to respond to Ping() command. Agent alive 0: agent3 isn't able to respond to Ping() command. Agent is not alive
2	1: agent2 is able to respond to Ping() command. Agent alive 0: agent2 isn't able to respond to Ping() command. Agent is not alive
1	1: agent1 is able to respond to Ping() command. Agent alive 0: agent1 isn't able to respond to Ping() command. Agent is not alive
0	1: agent0 is able to respond to Ping() command. Agent alive 0: agent0 isn't able to respond to Ping() command. Agent is not alive



### 9.348 PECE Temperature Reading Register (Integer) – Index 20h (Bank 7)

Attribute: Read only

Size: 8 bits

BIT	7	6	5	4	3	2	1	0
NAME	PECE Temperature Reading--Integer [9:2]							
DEFAULT	0	0	1	0	1	0	0	0

BIT	DESCRIPTION
7~0	Temperature value [9] (Sign bit) Temperature value [8:2] (Integer bits) Temperature value [1:0] (Fraction bits)

Note. Temperature reading register is count from raw data and Tbase, for example:

Raw data	+	Tbase	=	Temp Reading
Bank7, Index [17][18]	+	Bank7, Index [09]	=	Bank7, Index [20][21]

### 9.349 PECE Temperature Reading Register (Fraction) – Index 21h (Bank 7)

Attribute: Read only

Size: 8 bits

BIT	7	6	5	4	3	2	1	0
NAME	Reserved						PECE Temperature Vaule[1:0]	
DEFAULT	0	0	0	0	0	0	0	0

BIT	DESCRIPTION
7~0	Temperature value [9] (Sign bit) Temperature value [8:2] (Integer bits) Temperature value [1:0] (Fraction bits)

### 9.350 PECE Command TN Count Value Register – Index 22h (Bank 7)

Attribute: Read only

Size: 8 bits

BIT	7	6	5	4	3	2	1	0
NAME	PECE Timing Negotiation count Value[7:0]							
DEFAULT	0	0	0	0	0	0	0	0

BIT	DESCRIPTION
7~0	The data would be get from client. <b>Default value is 00<sub>HEX</sub>.</b>

### 9.351 PECE Command TN Count Value Register – Index 23h (Bank 7)

Attribute: Read only

Size: 8 bits

BIT	7	6	5	4	3	2	1	0
NAME	Reserved				PECE Timing Negotiation count Value[11:8]			
DEFAULT	0	0	0	0	0	0	0	0

BIT	DESCRIPTION
7~0	The data would be get from client. <b>Default value is 00<sub>HEX</sub>.</b>

### 9.352 PECE Command Warning Flag Register – Index 24h (Bank 7)

Attribute: Read only

Size: 8 bits

BIT	7	6	5	4	3	2	1	0
NAME	Reserved				Alert Value[3:0]			
DEFAULT	0	0	0	0	0	0	0	0

BIT	DESCRIPTION
7~0	<b>Agent Alert Bit</b> (Default value is 0) 0: Agent has valid FCS. 1: Agent has invalid FCS in the previous 3 transactions. <b>Default value is 00<sub>HEX</sub>.</b>

### 9.353 PECE Command FCS Data Register – Index 25h (Bank 7)

Attribute: Read only

Size: 8 bits

BIT	7	6	5	4	3	2	1	0
NAME	Reserve		Wraning	CC_Fail	ZeroWFCS	AbortWFCS	BadRFCS	BadWFCS
DEFAULT	0	0	0	0	0	0	0	0

BIT	DESCRIPTION
7~0	Retrieve PECE related data from client and host. <b>Default value is 00<sub>HEX</sub>.</b>

**9.354 PECl Command WFCS Data Register – Index 26h (Bank 7)**

Attribute: Read only

Size: 8 bits

BIT	7	6	5	4	3	2	1	0
NAME	PECl WFCS							
DEFAULT	0	0	0	0	0	0	0	0

BIT	DESCRIPTION
7~0	Retrieve PECl WFCS related data from client. Default value is 00 <sub>HEX</sub> .

**9.355 PECl RFCS Data Register – Index 27h (Bank 7)**

Attribute: Read only

Size: 8 bits

BIT	7	6	5	4	3	2	1	0
NAME	PECl RFCS							
DEFAULT	0	0	0	0	0	0	0	0

BIT	DESCRIPTION
7~0	Retrieve PECl related data from client. Default value is 00 <sub>HEX</sub> .

**9.356 PECl AWFCs Data Register – Index 28h (Bank 7)**

Attribute: Read only

Size: 8 bits

BIT	7	6	5	4	3	2	1	0
NAME	PECl AWFCs							
DEFAULT	0	0	0	0	0	0	0	0

BIT	DESCRIPTION
7~0	Retrieve PECl related data from client. Default value is 00 <sub>HEX</sub> .

**9.357 PECl CRC OUT WFCS Data Register – Index 29h (Bank 7)**

Attribute: Read only

Size: 8 bits

BIT	7	6	5	4	3	2	1	0
NAME	PECI CRC OUT WFCS							
DEFAULT	0	0	0	0	0	0	0	0

BIT	DESCRIPTION
7~0	Retrieve Peci related data from client. Default value is 00 <sub>HEX</sub> .

### 9.358 Peci Command Read Data 1 Register – Index 2Ah (Bank 7)

Attribute: Read/Write

Size: 8 bits

BIT	7	6	5	4	3	2	1	0
NAME	PECI Read Data 1							
DEFAULT	0	0	0	0	0	0	0	0

BIT	DESCRIPTION
7~0	The data would be get from client. Default value is 00 <sub>HEX</sub> .

### 9.359 Peci Command Read Data 2 Register – Index 2Bh (Bank 7)

Attribute: Read/Write

Size: 8 bits

BIT	7	6	5	4	3	2	1	0
NAME	PECI Read Data 2							
DEFAULT	0	0	0	0	0	0	0	0

BIT	DESCRIPTION
7~0	The data would be get from client. Default value is 00 <sub>HEX</sub> .

### 9.360 Peci Command Read Data 3 Register – Index 2Ch (Bank 7)

Attribute: Read/Write

Size: 8 bits

BIT	7	6	5	4	3	2	1	0
NAME	PECI Read Data 3							
DEFAULT	0	0	0	0	0	0	0	0

BIT	DESCRIPTION
7~0	The data would be get from client. <b>Default value is 00<sub>HEX</sub></b> .

### 9.361 PECE Command Read Data 4 Register – Index 2Dh (Bank 7)

Attribute: Read/Write

Size: 8 bits

BIT	7	6	5	4	3	2	1	0
NAME	PECE Read Data 4							
DEFAULT	0	0	0	0	0	0	0	0

BIT	DESCRIPTION
7~0	The data would be get from client. <b>Default value is 00<sub>HEX</sub></b> .

### 9.362 PECE Command Read Data 5 Register – Index 2Eh (Bank 7)

Attribute: Read/Write

Size: 8 bits

BIT	7	6	5	4	3	2	1	0
NAME	PECE Read Data 5							
DEFAULT	0	0	0	0	0	0	0	0

BIT	DESCRIPTION
7~0	The data would be get from client. <b>Default value is 00<sub>HEX</sub></b> .

### 9.363 PECE Command Read Data 6 Register – Index 2Fh (Bank 7)

Attribute: Read/Write

Size: 8 bits

BIT	7	6	5	4	3	2	1	0
NAME	PECE Read Data 6							
DEFAULT	0	0	0	0	0	0	0	0

BIT	DESCRIPTION
7~0	The data would be get from client. <b>Default value is 00<sub>HEX</sub></b> .

### 9.364 PECE Command Read Data 7 Register – Index 30h (Bank 7)

Attribute: Read/Write

Size: 8 bits

<b>BIT</b>	7	6	5	4	3	2	1	0
<b>NAME</b>	PECI Read Data 7							
<b>DEFAULT</b>	0	0	0	0	0	0	0	0

<b>BIT</b>	<b>DESCRIPTION</b>
7~0	The data would be get from client. <b>Default value is 00<sub>HEX</sub></b> .

### 9.365 Peci Command Read Data 8 Register – Index 31h (Bank 7)

Attribute: Read/Write

Size: 8 bits

<b>BIT</b>	7	6	5	4	3	2	1	0
<b>NAME</b>	PECI Read Data 8							
<b>DEFAULT</b>	0	0	0	0	0	0	0	0

<b>BIT</b>	<b>DESCRIPTION</b>
7~0	The data would be get from client. <b>Default value is 00<sub>HEX</sub></b> .

### 9.366 Peci Command Read Data 9 Register – Index 32h (Bank 7)

Attribute: Read/Write

Size: 8 bits

<b>BIT</b>	7	6	5	4	3	2	1	0
<b>NAME</b>	PECI Read Data 9							
<b>DEFAULT</b>	0	0	0	0	0	0	0	0

<b>BIT</b>	<b>DESCRIPTION</b>
7~0	The data would be get from client. <b>Default value is 00<sub>HEX</sub></b> .

### PECI Manual Command Address Table

Command Bank 7	Address CR 05 <sub>HEX</sub>	WriteLength CR 06 <sub>HEX</sub>	Read Length CR 07 <sub>HEX</sub>	Command Code CR 08 <sub>HEX</sub>
Ping	Addr	00	00	
GetDIB		01	08	F7
GetTemp		01	02	01
PCIRd30		06	02 / 03 / 05	61
PCIWr30		08 / 09 / 0B	01	65

PCIRdLocal30		05	02 / 03 / 05	E1
PCIWrLocal30		07 / 08 / 0A	01	E5
PKGRd30		05	02 / 03 / 05	A1
PKGWr30		07 / 08 / 0A	01	A5
IAMSRd30		05	02 / 03 / 05 / 09	B1
IAMSRWr30		07 / 08 / 0A / 0E	01	B5

PECI Manual Command Read Data Table

Command	PCI Rd30	PCI Wr30	PCIRd Local30	PCIWr Local30	PKG Rd30	PKG Wr30	IAMSR Rd30	IAMSR Wr30	GetDIB	GetTemp
Command Code	61	65	E1	E5	A1	A5	B1	B5	F7	01
RdData 1 CR 2A <sub>HEX</sub>	Ccode	Ccode	Ccode	Ccode	Ccode	Ccode	Ccode	Ccode	X	X
RdData 2 CR 2B <sub>HEX</sub>	X	X	X	X	X	X	Data LSB_1	X	Device Info	X
RdData 3 CR 2C <sub>HEX</sub>	X	X	X	X	X	X	Data LSB_2	X	Revision Number	X
RdData 4 CR 2D <sub>HEX</sub>	X	X	X	X	X	X	Data LSB_3	X	Reserved 1	X
RdData 5 CR 2E <sub>HEX</sub>	X	X	x	X	X	X	Data LSB_4	X	Reserved 2	X
RdData 6 CR 2F <sub>HEX</sub>	Data LSB_1	X	Data LSB_1	X	Data LSB_1	X	Data LSB_5	X	Reserved 3	X
RdData 7 CR 30 <sub>HEX</sub>	Data LSB_2	X	Data LSB_2	X	Data LSB_2	X	Data LSB_6	X	Reserved 4	X
RdData 8 CR 31 <sub>HEX</sub>	Data LSB_3	X	Data LSB_3	X	Data LSB_3	X	Data LSB_7	X	Reserved 5	Temp_LB
RdData 9 CR 32 <sub>HEX</sub>	Data MSB	x	Data MSB	X	Data MSB	X	Data MSB	X	Reserved 6	Temp_HB

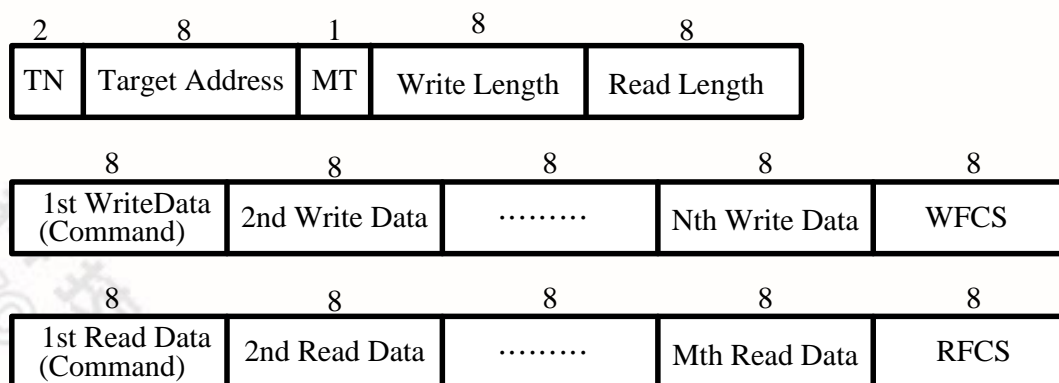
PECI Manual Command Write Data Table

Command	PCI Rd30	PCI Wr30	PCIRd Local30	PCIWr Local30	PKG Rd30	PKG Wr30	IAMSR Rd30	IAMSR Wr30
Command Code	61	65	E1	E5	A1	A5	B1	B5
WrData 1 CR 0B <sub>HEX</sub>	Host ID	Host ID	Host ID	Host ID	Host ID	Host ID	Host ID	Host ID
WrData 2 CR 0C <sub>HEX</sub>	Addr LSB_1	Addr LSB_1	Addr LSB_1	Addr LSB_1	Index	Index	Process or ID	Process or ID

<b>WrData 3</b> <b>CR 0D<sub>HEX</sub></b>	Addr LSB_2	Addr LSB_2	Addr LSB_2	Addr LSB_2	Param LSB	Param LSB	Addr LSB	Addr LSB
<b>WrData 4</b> <b>CR 0E<sub>HEX</sub></b>	Addr LSB_3	Addr LSB_3	Addr MSB	Addr MSB	Param MSB	Param MSB	Addr MSB	Addr MSB
<b>WrData 5</b> <b>CR 0F<sub>HEX</sub></b>	Addr MSB	Addr MSB	X	Data LSB_1	X	Data LSB_1	X	Data LSB_1
<b>WrData 6</b> <b>CR 10<sub>HEX</sub></b>	X	Data LSB_1	X	Data LSB_2	X	Data LSB_2	X	Data LSB_2
<b>WrData 7</b> <b>CR 11<sub>HEX</sub></b>	X	Data LSB_2	X	Data LSB_3	X	Data LSB_3	X	Data LSB_3
<b>WrData 8</b> <b>CR 12<sub>HEX</sub></b>	X	Data LSB_3	X	Data MSB	X	Data MSB	X	Data LSB_4
<b>WrData 9</b> <b>CR 13<sub>HEX</sub></b>	X	Data MSB	X	X	X	X	X	Data LSB_5
<b>WrData10</b> <b>CR 14<sub>HEX</sub></b>	X	X	X	X	X	X	X	Data LSB_6
<b>WrData11</b> <b>CR 15<sub>HEX</sub></b>	X	X	X	X	X	X	X	Data LSB_7
<b>WrData12</b> <b>CR 16<sub>HEX</sub></b>	X	X	X	X	X	X	X	Data MSB

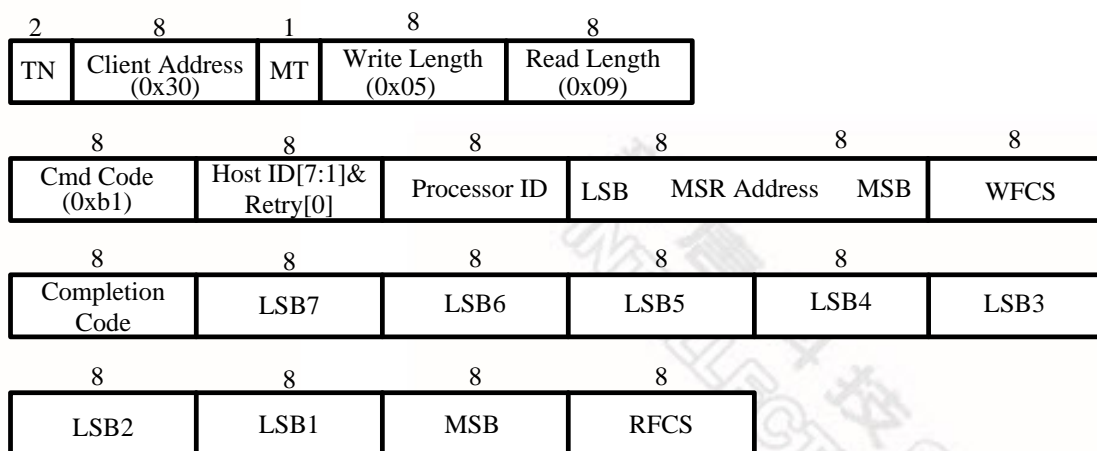
**PECI Write-Read Protocol**

The write-read protocol is the only protocol defined for messaging between devices on the Peci. The protocol may devolve to either only a write or only a read operation, but the fundamental protocol remains unchanged. The write-read protocol allows an atomic operation that first writes and then reads data between an originator and a target.

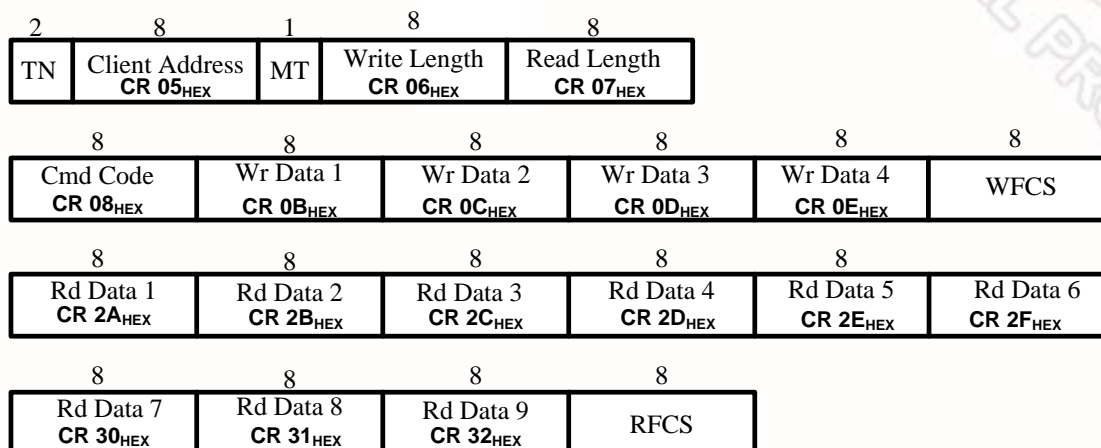


**IAMSR Command Format**





**Example:**



## 10. UART PORT

### 10.1 UART Control Register (UCR) (Read/Write)

The UART Control Register defines and controls the protocol for asynchronous data communications, including data length, stop bit, parity, and baud rate selection.

BIT	7	6	5	4	3	2	1	0
NAME	BDLAB	SSE	PBFE	EPE	PBE	MSBE	DLS1	DLS0
DEFAULT	0	0	0	0	0	0	0	0

BIT	DESCRIPTION
7	<b>BDLAB (Baud Rate Divisor Latch Access Bit).</b> When this bit is set to logic 1, designers can access the divisor (in 16-bit binary format) from the divisor latches of the baud-rate generator during a read or write operation. When this bit is set to logic 0, the Receiver Buffer Register, the Transmitter Buffer Register, and the Interrupt Control Register can be accessed.
6	<b>SSE (Set Silence Enable).</b> A logic 1 forces the Serial Output (SOUT) to a silent state (a logical 0). Only IRTX is affected by this bit; the transmitter is not affected.
5	<b>PBFE (Parity Bit Fixed Enable).</b> When PBE and PBFE of UCR are both set to logic 1, (1) if EPE is logic 1, the parity bit is logical 0 when transmitting and checking; (2) if EPE is logic 0, the parity bit is logical 1 when transmitting and checking.
4	<b>EPE (Even Parity Enable).</b> When PBE is set to logic 1, this bit counts the number of logic 1's in the data word bits and determines the parity bit. When this bit is set to logic 1, the parity bit is set to logic 1 if an even number of logic 1's are sent or checked. When the bit is set to logic 0, the parity bit is logic 1, if an odd number of logic 1's are sent or checked.
3	<b>PBE (Parity Bit Enable).</b> When this bit is set to logic 1, the transmitter inserts a stop bit between the last data bit and the stop bit of the SOUT, and the receiver checks the parity bit in the same position.
2	<b>MSBE (Multiple Stop Bit Enable).</b> Defines the number of stop bits in each serial character that is transmitted or received. (1) If MSBE is set to logic 0, one stop bit is sent and checked. (2) If MSBE is set to logic 1 and the data length is 5 bits, one-and-a-half stop bits are sent and checked. (3) If MSBE is set to logic 1 and the data length is 6, 7, or 8 bits, two stop bits are sent and checked.
1	<b>DLS1 (Data Length Select Bit 1).</b> Defines the number of data bits that are sent or checked in each serial character.
0	<b>DLS0 (Data Length Select Bit 0).</b> Defines the number of data bits that are sent or checked in each serial character.

DLS1	DLS0	DATA LENGTH
0	0	5 bits
0	1	6 bits
1	0	7 bits

DLS1	DLS0	DATA LENGTH
1	1	8 bits

The following table identifies the remaining UART registers. Each one is described separately in the following sections.

Table 10-1 Register Summary for UART

		Bit Number								
Register Address Base			0	1	2	3	4	5	6	7
+ 0 BDLAB = 0	Receiver Buffer Register (Read Only)	RBR	RX Data Bit 0	RX Data Bit 1	RX Data Bit 2	RX Data Bit 3	RX Data Bit 4	RX Data Bit 5	RX Data Bit 6	RX Data Bit 7
+ 0 BDLAB = 0	Transmitter Buffer Register (Write Only)	TBR	TX Data Bit 0	TX Data Bit 1	TX Data Bit 2	TX Data Bit 3	TX Data Bit 4	TX Data Bit 5	TX Data Bit 6	TX Data Bit 7
+ 1 BDLAB = 0	Interrupt Control Register	ICR	RBR Data Ready Interrupt Enable (ERDRI)	TBR Empty Interrupt Enable (ETBREI)	USR Interrupt Enable (EUSRI)	HSR Interrupt Enable (EHSRI)	0	0	0	0
+ 2	Interrupt Status Register (Read Only)	ISR	"0" if Interrupt Pending	Interrupt Status Bit (0)	Interrupt Status Bit (1)	Interrupt Status Bit (2)**	0	0	FIFOs Enabled **	FIFOs Enabled **
+ 2	UART FIFO Control Register (Write Only)	UFR	FIFO Enable	RCVR FIFO Reset	XMIT FIFO Reset	DMA Mode Select	Reserved	Reversed	RX Interrupt Active Level (LSB)	RX Interrupt Active Level (MSB)
+ 3	UART Control Register	UCR	Data Length Select Bit 0 (DLS0)	Data Length Select Bit 1 (DLS1)	Multiple Stop Bits Enable (MSBE)	Parity Bit Enable (PBE)	Even Parity Enable (EPE)	Parity Bit Fixed Enable (PBFE)	Set Silence Enable (SSE)	Baudrate Divisor Latch Access Bit (BDLAB)
+ 4	Handshake Control Register	HCR	Data Terminal Ready (DTR)	Request to Send (RTS)	Loopback RI Input	IRQ Enable	Internal Loopback Enable	0	0	0
+ 5	UART Status Register	USR	RBR Data Ready (RDR)	Overrun Error (OER)	Parity Bit Error (PBER)	No Stop Bit Error (NSER)	Silent Byte Detected (SBD)	TBR Empty (TBRE)	TSR Empty (TSRE)	RX FIFO Error Indication (RFEI) **
+ 6	Handshake Status Register	HSR	CTS Toggling (TCTS)	DSR Toggling (TDSR)	RI Falling Edge (FERI)	DCD Toggling (TDCD)	Clear to Send (CTS)	Data Set Ready (DSR)	Ring Indicator (RI)	Data Carrier Detect (DCD)
+ 7	User Defined Register	UDR	Bit 0	Bit 1	Bit 2	Bit 3	Bit 4	Bit 5	Bit 6	Bit 7
+ 0 BDLAB = 1	Baudrate Divisor Latch Low	BLL	Bit 0	Bit 1	Bit 2	Bit 3	Bit 4	Bit 5	Bit 6	Bit 7
+ 1 BDLAB = 1	Baudrate Divisor Latch High	BHL	Bit 8	Bit 9	Bit 10	Bit 11	Bit 12	Bit 13	Bit 14	Bit 15

\*: Bit 0 is the least significant bit. The least significant bit is the first bit serially transmitted or received.

\*\* : These bits are always 0 in 16450 Mode.

### 10.2 UART Status Register (USR) (Read/Write)

This 8-bit register provides information about the status of data transfer during communication.

BIT	7	6	5	4	3	2	1	0
NAME	RF EI	TSRE	TBRE	SBD	NSER	PBER	OER	RDR
DEFAULT	0	1	1	0	0	0	0	0

BIT	DESCRIPTION
7	<b>RF EI (RX FIFO Error Indication).</b> In 16450 mode, this bit is always set to logical 0. In 16550 mode, this bit is set to logical 1 when there is at least one parity-bit error and no stop0bit error or silent-byte detected in the FIFO. In 16550 mode, this bit is cleared to logical 0 by reading from the USR if there are no remaining errors left in the FIFO.
6	<b>TSRE (Transmitter Shift Register Empty).</b> In 16450 mode, this bit is set to logical 1 when TBR and TSR are both empty. In 16550 mode, it is set to logical 1 when the transmit FIFO and TSR are both empty. Otherwise, this bit is set to logical 0.
5	<b>TBRE (Transmitter Buffer Register Empty).</b> In 16450 mode, when a data character is transferred from TBR to TSR, this bit is set to logical 1. If ETREI of ICR is high, and interrupt is generated to notify the CPU to write next data. In 16550 mode, this bit is set to logical 1 when the transmit FIFO is empty. It is set to logical 0 when the CPU writes data into TBR or the FIFO.
4	<b>SBD (Silent Byte Detected).</b> This bit is set to logical 1 to indicate that received data are kept in silent state for the time it takes to receive a full word, which includes the start bit, data bits, parity bit, and stop bits. In 16550 mode, it indicates the same condition for the data on the top of the FIFO. When the CPU reads USR, it sets this bit to logical 0.
3	<b>NSER (No Stop Bit Error).</b> This bit is set to logical 1 to indicate that the received data have no stop bit. In 16550 mode, it indicates the same condition for the data on the top of the FIFO. When the CPU reads USR, it sets this bit to logical 0.
2	<b>PBER (Parity Bit Error).</b> This bit is set to logical 1 to indicate that the received data has the wrong parity bit. In 16550 mode, it indicates the same condition for the data on the top of the FIFO. When the CPU reads USR, it sets this bit to logical 0.
1	<b>OER (Overrun Error).</b> This bit is set to logical 1 to indicate that the received data have been overwritten by the next received data before they were read by the CPU. In 16550 mode, it indicates the same condition, instead of FIFO full. When the CPU reads USR, it sets this bit to logical 0.
0	<b>RDR (RBR Data Ready).</b> This bit is set to logical 1 to indicate that the received data are ready to be read by the CPU in the RBR or FIFO. When no data are left in the RBR or FIFO, the bit is set to logical 0.

### 10.3 Handshake Control Register (HCR) (Read/Write)

This register controls pins used with handshaking peripherals such as modems and also controls the diagnostic mode of the UART.

BIT	7	6	5	4	3	2	1	0
NAME	RESERVED			INTERNAL LOOPBACK ENABLE	IRQ ENABLE	LOOPBACK RI INPUT	RTS	DTR
DEFAULT	0	0	0	0	0	0	0	0

BIT	DESCRIPTION
7-5	<b>Reserved.</b>
4	<b>Internal Loopback Enable.</b> When this bit is set to logic 1, the UART enters diagnostic mode, as follows: (1) SOUT is forced to logic 1, and SIN is isolated from the communication link. (2) The modem output pins are set to their inactive state. (3) The modem input pins are isolated from the communication link and connect internally as DTR (bit 0 of HCR) →DSR#, RTS ( bit 1 of HCR) →CTS#, Loopback RI input ( bit 2 of HCR) → RI# and IRQ enable ( bit 3 of HCR) →DCD#. Aside from the above connections, the UART operates normally. This method allows the CPU to test the UART in a convenient way.
3	<b>IRQ Enable.</b> The UART interrupt output is enabled by setting this bit to logic 1. In diagnostic mode, this bit is internally connected to the modem control input DCD#.
2	<b>Loopback RI Input.</b> This bit is only used in the diagnostic mode. In diagnostic mode, this bit is internally connected to the modem control input RI#.
1	<b>RTS (Request to Send).</b> This bit controls the RTS# output. The value of this bit is inverted and output to RTS#.
0	<b>DTR (Data Terminal Ready).</b> This bit controls the DTR# output. The value of this bit is inverted and output to DTR#.

#### 10.4 Handshake Status Register (HSR) (Read/Write)

This register reflects the current state of four input pins used with handshake peripherals such as modems and records changes on these pins.

BIT	7	6	5	4	3	2	1	0
<b>NAME</b>	DCD	RI	DSR	CTS	TDCD	FERI	TDSR	TCTS
<b>DEFAULT</b>	NA	NA	NA	NA	NA	NA	NA	NA

BIT	DESCRIPTION
7	<b>DCD (Data Carrier Detect).</b> This bit is the inverse of the DCD# input and is equivalent to bit 3 of HCR in Loopback mode.
6	<b>RI (Ring Indicator).</b> This bit is the inverse of the RI# input and is equivalent to bit 2 of HCR in Loopback mode.
5	<b>DSR (Data Set Ready).</b> This bit is the inverse of the DSR# input and is equivalent to bit 0 of HCR in Loopback mode.
4	<b>CTS (Clear to Send).</b> This bit is the inverse of the CTS# input and is equivalent to bit 1 of HCR in Loopback mode.
3	<b>TDCD (DCD# Toggling).</b> This bit indicates that the state of the DCD# pin has changed after HSR is read by the CPU.
2	<b>FERI (RI Falling Edge).</b> This bit indicates that the RI# pin has changed from low to high after HSR is read by the CPU.
1	<b>TDSR (DSR# Toggling).</b> This bit indicates that the state of the DSR# pin has changed after HSR is read by the CPU.
0	<b>TCTS (CTS# Toggling).</b> This bit indicates that the state of the CTS# pin has changed after HSR is read by the CPU.

### 10.5 UART FIFO Control Register (UFR) (Write only)

This register is used to control the FIFO functions of the UART.

BIT	7	6	5	4	3	2	1	0
NAME	MSB	LSB	RESERVED		DMA MODE SELECT	TRANSMITTER FIFO RESET	RECEIVER FIFO RESET	FIFO ENABLE
DEFAULT	0	0	NA	NA	0	0	0	0

BIT	DESCRIPTION	
7	<b>MSB (RX Interrupt Active Level).</b>	These two bits are used to set the active level of the receiver FIFO interrupt. The active level is the number of bytes that must be in the receiver FIFO to generate an interrupt.
6		
5-4	<b>RESERVED.</b>	
3	<b>DMS MODE SELECT.</b> When this bit is set to logic 1, DMA mode changes from mode 0 to mode 1 if UFR bit 0 = 1.	
2	<b>TRANSMITTER FIFO RESET.</b> Setting this bit to logic 1 resets the TX FIFO counter logic to its initial state. This bit is automatically cleared afterwards.	
1	<b>RECEIVER FIFO RESET.</b> Setting this bit to logic 1 resets the RX FIFO counter logic to its initial state. This bit is automatically cleared afterwards.	
0	<b>FIFO ENABLE.</b> This bit enables 16550 (FIFO) mode. This bit should be set to logic 1 before other UFR bits are programmed.	

BIT 7	BIT 6	RX FIFO INTERRUPT ACTIVE LEVEL (BYTES)
0	0	01
0	1	04
1	0	08
1	1	14

### 10.6 Interrupt Status Register (ISR) (Read only)

This register reflects the UART interrupt status.

BIT	7	6	5	4	3	2	1	0
NAME	FIFOS ENABLED		RESERVED		INTERRUPT STATUS BIT 2	INTERRUPT STATUS BIT 1	INTERRUPT STATUS BIT 0	0 IF INTERRUPT PENDING
DEFAULT	0	0	0	0	0	0	0	1

BIT	DESCRIPTION
7-6	<b>FIFOS ENABLED.</b> Set to logical 1 when UFR, bit 0 = 1.
5-4	<b>RESERVED.</b>
3	<b>INTERRUPT STATUS BIT 2.</b> In 16450 mode, this bit is logical 0. In 16550 mode, bits 3 and 2 are set to logical 1 when a time-out interrupt is pending. Please see the table

	below.	
2	<b>INTERRUPT STATUS BIT 1.</b>	These two bits identify the priority level of the pending interrupt, as shown in the table below.
1	<b>INTERRUPT STATUS BIT 0.</b>	
0	<b>0 IF INTERRUPT PENDING.</b> This bit is logic 1 if there is no interrupt pending. If one of the interrupt sources has occurred, this bit is set to logical 0.	

ISR				INTERRUPT SET AND FUNCTION			
Bit 3	Bit 2	Bit 1	Bit 0	Interrupt priority	Interrupt Type	Interrupt Source	Clear Interrupt
0	0	0	1	-	-	No Interrupt pending	-
0	1	1	0	First	UART Receive Status	1. OER = 1 2. PBER =1 3. NSER = 1 4. SBD = 1	Read USR
0	1	0	0	Second	RBR Data Ready	1. RBR data ready 2. FIFO interrupt active level reached	1. Read RBR 2. Read RBR until FIFO data under active level
1	1	0	0	Second	FIFO Data Timeout	Data present in RX FIFO for 4 characters period of time since last access of RX FIFO.	Read RBR
0	0	1	0	Third	TBR Empty	TBR empty	1. Write data into TBR 2. Read ISR (if priority is third)
0	0	0	0	Fourth	Handshake status	1. TCTS = 1 2. TDSR = 1 3. FER1 = 1 4. TDCD = 1	Read HSR

\*\* Bit 3 of ISR is enabled when bit 0 of UFR is logical 1.

### 10.7 Interrupt Control Register (ICR) (Read/Write)

This 8-bit register enables and disables the five types of controller interrupts separately. A selected interrupt can be enabled by setting the appropriate bit to logical 1. The interrupt system can be totally disabled by setting bits 0 through 3 to logical 0.

BIT	7	6	5	4	3	2	1	0
NAME	En_address_byte	RX_ctrl	RESERVED		EHSRI	EUSRI	ETBREI	ERDRI
DEFAULT	0	0	0	0	0	0	0	0

BIT	DESCRIPTION
7	<b>En_address_byte.</b> 0: Tx block will send data byte. (If enable 9bit mode function CRF2 Bit0=1) 1: Tx block will send address byte. (If enable 9bit mode function CRF2 Bit0=1)
6	<b>RX_ctrl.</b> 0: Rx block could receive data byte. (If enable 9bit mode function CRF2 Bit0=1) 1: Rx block could receive address byte. (If enable 9bit mode function CRF2 Bit0=1)
5-4	<b>RESERVED.</b>
3	<b>EHSRI (Handshake Status Interrupt Enable).</b> Set this bit to logical 1 to enable the handshake status register interrupt.
2	<b>EUSRI (UART Receive Status Interrupt Enable).</b> Set this bit to logical 1 to enable the UART status register interrupt.

BIT	DESCRIPTION
1	<b>ETBREI (TBR Empty Interrupt Enable).</b> Set this bit to logical 1 to enable the TBR empty interrupt.
0	<b>ERDRI (RBR Data Ready Interrupt Enable).</b> Set this bit to logical 1 to enable the RBR data ready interrupt.

### 10.8 Programmable Baud Generator (BLL/BHL) (Read/Write)

Two 8-bit registers, BLL and BHL, compose a programmable baud generator that uses 24 MHz to generate a 1.8461 MHz frequency and divide it by a divisor from 1 to  $(2^{16} - 1)$ . The output frequency of the baud generator is the baud rate multiplied by 16, and this is the base frequency for the transmitter and receiver. The table below illustrates the use of the baud generator with a frequency of 1.8461 MHz. In high-speed UART mode (CR0C, bits 7 and 6), the programmable baud generator directly uses 24 MHz and the same divisor as the normal speed divisor. As a result, in high-speed mode, the data transmission rate can be as high as 1.5M bps.

BAUD RATE FROM DIFFERENT PRE-DIVIDER				
PRE-DIV: 13 1.8461M HZ	PRE-DIV:1.625 14.769M HZ	PRE-DIV: 1.0 24M HZ	DECIMAL DIVISOR USED TO GENERATE 16X CLOCK	ERROR PERCENTAGE
50	400	650	2304	**
75	600	975	1536	**
110	880	1430	1047	0.18%
134.5	1076	1478.5	857	0.099%
150	1200	1950	768	**
300	2400	3900	384	**
600	4800	7800	192	**
1200	9600	15600	96	**
1800	14400	23400	64	**
2000	16000	26000	58	0.53%
2400	19200	31200	48	**
3600	28800	46800	32	**
4800	38400	62400	24	**
7200	57600	93600	16	**
9600	76800	124800	12	**
19200	153600	249600	6	**
38400	307200	499200	3	**
57600	460800	748800	2	**
115200	921600	1497600	1	**

\*\* Unless specified, the error percentage for all of the baud rates is 0.16%.

Note: Pre-Divisor is determined by CRF0 of UART A.

### 10.9 User-defined Register (UDR) (Read/Write)

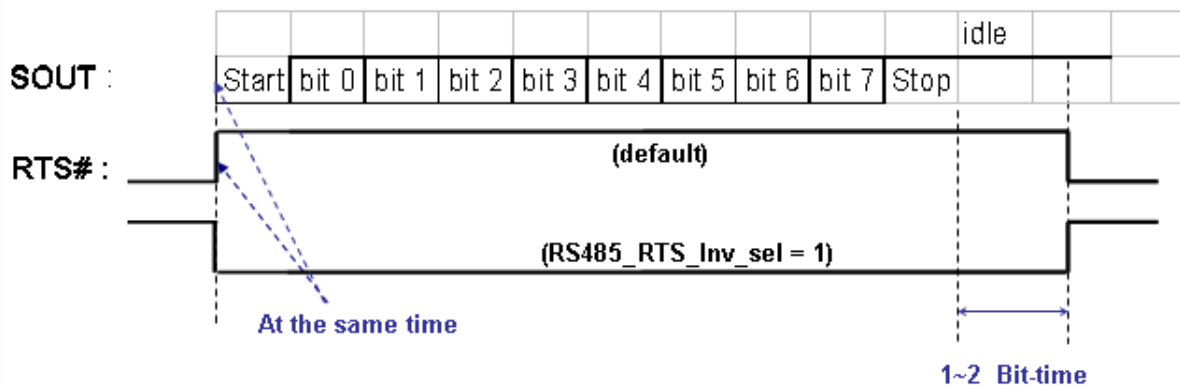
This is a temporary register that can be accessed and defined by the user.



### 10.10 UART RS485 Auto Flow Control

NCT5577D supports RS485 auto flow control function for UARTA. When enabling the RS485 auto control function, it will automatically drive RTS# pin to logic high or low for UARTA when UART TX block transmits the data.

The diagram shown below illustrates the RS485 auto flow control function for UARTA.



The default behavior of RTS# pin will drive logic high the time edge between **Start bit** and **bit0** when the UART TX Block start to transmits the data on SOUT pin. Then the RTS# pin will drive logic low later than **Stop bit** about 1~2 x Bit-time when UART TX Block completes the data transmission. The driving behavior of RTS# will be inverted when we set RS485\_RTS\_inv\_sel bit = 1'b1. (Bit-time: Depends on the baud rate of transmission)

The following control register table relates to the RS485 auto flow control function for UARTA.

	UARTA
<b>RTS485_enable</b>	Logic Device 2, CRF2_Bit7
<b>RTS485_inv_sel</b>	Logic Device 2, CRF2_Bit6

新唐科技 NUVOTON  
INTELLECTUAL PROPERTY

## 11. KEYBOARD CONTROLLER

The NCT5577D KBC (8042 with licensed KB BIOS) circuit is designed to provide the functions needed to interface a CPU with a keyboard and/or a PS/2 mouse and can be used with IBM®-compatible personal computers or PS/2-based systems. The controller receives serial data from the keyboard or PS/2 mouse, checks the parity of the data, and presents the data to the system as a byte of data in its output buffer. Then, the controller asserts an interrupt to the system when data are placed in its output buffer. The keyboard and PS/2 mouse are required to acknowledge all data transmissions. No transmission should be sent to the keyboard or PS/2 mouse until an acknowledgement is received for the previous data byte.

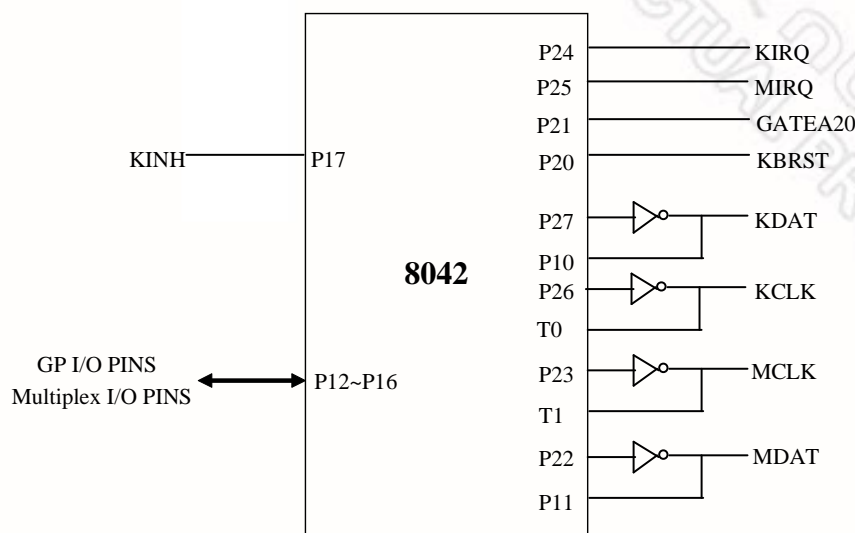


Figure 11-1 Keyboard and Mouse Interface

### 11.1 Output Buffer

The output buffer is an 8-bit, read-only register at I/O address 60H (Default, PnP programmable I/O address LD5-CR60 and LD5-CR61). The keyboard controller uses the output buffer to send the scan code (from the keyboard) and required command bytes to the system. The output buffer can only be read when the output buffer full bit in the register (in the status register) is logical 1.

### 11.2 Input Buffer

The input buffer is an 8-bit, write-only register at I/O address 60h or 64h (Default, PnP programmable I/O address LD5-CR60, LD5-CR61, LD5-CR62, and LD5-CR63). Writing to address 60h sets a flag to indicate a data write; writing to address 64h sets a flag to indicate a command write. Data written to I/O address 60h is sent to the keyboard (unless the keyboard controller is expecting a data byte) through the controller's input buffer only if the input buffer full bit (in the status register) is logical 0.

### 11.3 Status Register

The status register is an 8-bit, read-only register at I/O address 64h (Default, PnP programmable I/O address LD5-CR62 and LD5-CR63) that holds information about the status of the keyboard controller and interface. It may be read at any time.

Table 11-1 Bit Map of Status Register

BIT	BUT FUNCTION	DESCRIPTION
0	Output Buffer Full	0: Output buffer empty 1: Output buffer full
1	Input Buffer Full	0: Input buffer empty 1: Input buffer full
2	System Flag	This bit may be set to 0 or 1 by writing to the system flag bit in the command byte of the keyboard controller. It defaults to 0 after a power-on reset.
3	Command/Data	0: Data byte 1: Command byte
4	Inhibit Switch	0: Keyboard is inhibited 1: Keyboard is not inhibited
5	Auxiliary Device Output Buffer	0: Auxiliary device output buffer empty 1: Auxiliary device output buffer full
6	General Purpose Time-out	0: No time-out error 1: Time-out error
7	Parity Error	0: Odd parity 1: Even parity (error)

11.4 Commands

Table 11-2 KBC Command Sets

COMMAND	FUNCTION																		
20h	Read Command Byte of Keyboard Controller																		
60h	Write Command Byte of Keyboard Controller <table border="1" data-bbox="568 520 1154 892"> <thead> <tr> <th>BIT</th> <th>BIT DEFINITION</th> </tr> </thead> <tbody> <tr> <td>7</td> <td>Reserved</td> </tr> <tr> <td>6</td> <td>IBM Keyboard Translate Mode</td> </tr> <tr> <td>5</td> <td>Disable Auxiliary Device</td> </tr> <tr> <td>4</td> <td>Disable Keyboard</td> </tr> <tr> <td>3</td> <td>Reserve</td> </tr> <tr> <td>2</td> <td>System Flag</td> </tr> <tr> <td>1</td> <td>Enable Auxiliary Interrupt</td> </tr> <tr> <td>0</td> <td>Enable Keyboard Interrupt</td> </tr> </tbody> </table>	BIT	BIT DEFINITION	7	Reserved	6	IBM Keyboard Translate Mode	5	Disable Auxiliary Device	4	Disable Keyboard	3	Reserve	2	System Flag	1	Enable Auxiliary Interrupt	0	Enable Keyboard Interrupt
BIT	BIT DEFINITION																		
7	Reserved																		
6	IBM Keyboard Translate Mode																		
5	Disable Auxiliary Device																		
4	Disable Keyboard																		
3	Reserve																		
2	System Flag																		
1	Enable Auxiliary Interrupt																		
0	Enable Keyboard Interrupt																		
A4h	Test Password Returns 0Fah if Password is loaded Returns 0F1h if Password is not loaded																		
A5h	Load Password Load Password until a logical 0 is received from the system																		
A6h	Enable Password Enable the checking of keystrokes for a match with the password																		
A7h	Disable Auxiliary Device Interface																		
A8h	Enable Auxiliary Device Interface																		
A9h	Interface Test <table border="1" data-bbox="568 1291 1211 1528"> <thead> <tr> <th>BIT</th> <th>BIT DEFINITION</th> </tr> </thead> <tbody> <tr> <td>00</td> <td>No Error Detected</td> </tr> <tr> <td>01</td> <td>Auxiliary Device "Clock" line is stuck low</td> </tr> <tr> <td>02</td> <td>Auxiliary Device "Clock" line is stuck high</td> </tr> <tr> <td>03</td> <td>Auxiliary Device "Data" line is stuck low</td> </tr> <tr> <td>04</td> <td>Auxiliary Device "Data" line is stuck low</td> </tr> </tbody> </table>	BIT	BIT DEFINITION	00	No Error Detected	01	Auxiliary Device "Clock" line is stuck low	02	Auxiliary Device "Clock" line is stuck high	03	Auxiliary Device "Data" line is stuck low	04	Auxiliary Device "Data" line is stuck low						
BIT	BIT DEFINITION																		
00	No Error Detected																		
01	Auxiliary Device "Clock" line is stuck low																		
02	Auxiliary Device "Clock" line is stuck high																		
03	Auxiliary Device "Data" line is stuck low																		
04	Auxiliary Device "Data" line is stuck low																		
Aah	Self-test Returns 055h if self-test succeeds																		
Abh	Interface Test <table border="1" data-bbox="560 1648 1243 1885"> <thead> <tr> <th>BIT</th> <th>BIT DEFINITION</th> </tr> </thead> <tbody> <tr> <td>00</td> <td>No Error Detected</td> </tr> <tr> <td>01</td> <td>Keyboard "Clock" line is stuck low</td> </tr> <tr> <td>02</td> <td>Keyboard "Clock" line is stuck high</td> </tr> <tr> <td>03</td> <td>Keyboard "Data" line is stuck low</td> </tr> <tr> <td>04</td> <td>Keyboard "Data" line is stuck high</td> </tr> </tbody> </table>	BIT	BIT DEFINITION	00	No Error Detected	01	Keyboard "Clock" line is stuck low	02	Keyboard "Clock" line is stuck high	03	Keyboard "Data" line is stuck low	04	Keyboard "Data" line is stuck high						
BIT	BIT DEFINITION																		
00	No Error Detected																		
01	Keyboard "Clock" line is stuck low																		
02	Keyboard "Clock" line is stuck high																		
03	Keyboard "Data" line is stuck low																		
04	Keyboard "Data" line is stuck high																		
Adh	Disable Keyboard Interface																		

COMMAND	FUNCTION
Aeh	Enable Keyboard Interface
C0h	Read Input Port (P1) and send data to the system
C1h	Continuously puts the lower four bits of Port1 into the STATUS register
C2h	Continuously puts the upper four bits of Port1 into the STATUS register
D0h	Send Port 2 value to the system
D1h	Only set / reset GateA20 line based on system data bit 1
D2h	Send data back to the system as if it came from the Keyboard
D3h	Send data back to the system as if it came from Auxiliary Device
D4h	Output next received byte of data from system to Auxiliary Device
E0h	Reports the status of the test inputs
FXh	Pulse only RC (the reset line) low for 6 $\mu$ s if the Command byte is even

### 11.5 Hardware GATEA20/Keyboard Reset Control Logic

The KBC includes hardware control logic to speed-up GATEA20 and KBRESET. This control logic is controlled by LD5-CRF0 as follows:

#### 11.5.1 KB Control Register (Logic Device 5, CR-F0)

BIT	7	6	5	4	3	2	1	0
NAME	KCLKS1	KCLKS0	RESERVED			P92EN	HGA20	HKBRST#
DEFAULT	1	0	0	0	0	0	0	0

BIT	DESCRIPTION	
7	<b>KCLKS1.</b>	Select the KBC clock rate. <b>Bits</b> <b>7 6</b> 0 0: Reserved
6	<b>KCLKS0.</b>	0 1: Reserved 1 0: KBC clock input is 12 MHz. 1 1: Reserved
5-3	<b>RESERVED.</b>	
2	<b>P92EN (Port 92 Enable).</b> 1: Enables Port 92 to control GATEA20 and KBRESET. 0: Disables Port 92 functions.	
1	<b>HGA20 (Hardware GATEA 20).</b> 1: Selects hardware GATE A20 control logic to control GATE A20 signal. 0: Disables GATEA20 control logic functions.	
0	<b>HKBRST# (Hardware Keyboard Reset).</b> 1: Selects hardware KB RESET control logic to control KBRESET signal. 0: Disables hardware KB RESET control logic function.	

When the KBC receives data that follows a “D1” command, the hardware control logic sets or clears GATE A20 according to received data bit 1. Similarly, the hardware control logic sets or clears KBRESET depending on received data bit 0. When the KBC receives an “FE” command, the KBRESET is pulse low for 6  $\mu$ s (Min.) with a 14  $\mu$ s (Min.) delay.

GATE A20 and KBRESET are controlled by either software or hardware logic, and they are mutually exclusive. Then, GATE A20 and KBRESET are merged with Port92 when the P92EN bit is set.

11.5.2 Port 92 Control Register (Default Value = 0x24)

BIT	7	6	5	4	3	2	1	0
NAME	RES. (0)		RES. (1)	RES. (0)		RES. (1)	SGA20	PLKBRST#
DEFAULT	0	0	1	0	0	1	0	0

BIT	DESCRIPTION
7-6	RES. (0)
5	RES. (1)
4-3	RES. (0)
2	RES. (1)
1	<b>SGA20 (Special GATE A20 Control)</b> 1: Drives GATE A20 signal to high. 0: Drives GATE A20 signal to low.
0	<b>PLKBRST# (Pulled-low KBRESET).</b> A logical 1 on this bit causes KBRESET to drive low for 6 $\mu$ S(Min.) with a 14 $\mu$ S(Min.) delay. Before issuing another keyboard-reset command, the bit must be cleared.

新唐科技 NUVOTON  
INTELLECTUAL PROPERTY

## 12. CONSUMER INFRARED REMOTE (CIR)

Regarding the receiving of IR Block, the hardware uses the sampling rates of 1us, 25us, 50us and 100us to calculate the widths of H Level and L Level. The results are saved/stored in 32\*8 RX FIFO. The max widths of H Level and L Level will be determined by Sample Limit Count Register. During the receiving, the hardware will reflect the FIFO status in RX FIFO Status Register. In addition, the hardware also generates status, such as Data Ready, Trigger Level Reach, FIFO Overrun and FIFO underrun, in RC Status Register.

As for the transmission, the user has to set up the Carrier frequency and the transmission mode first and then writes the widths of H Level and L Level via TX FIFO. The hardware will add Carrier to H Level according to the transmission mode.

### 12.1 CIR Register Table

Table 12-1 CIR Register Table

RC Block										
ExtAddr	Name	7	6	5	4	3	2	1	0	
base+0	IRCON	R	WIREN	TXEN	RXEN	WRXINV	RXINV	Sample Period Select		
base+1	IRSTS	RDR	RTR	PE	RFO	TE	TTR	TFU	GH	
base+2	IREN	RDR	RTR	PE	RFO	TE	TTR	TFU	GH	
base+3	RXFCONT	RXFIFO Count								
base+4	CP	MODE	Reserved						Carrier Prescalar	
base+5	CC	Carrier Period								
base+6	SLCH	Sample Limit Count High Byte								
base+7	SLCL	Sample Limit Count Low Byte								
base+8	FIFOCON	TXFIFOCLR	R	Tx Trigger Level		RXFIFOCLR	R	Rx Trigger Level		
base+9	IRFIFOSTS	IR_Pending	RX_GS	RX_FTA	RX_Empty	RX_Full	TX_FTA	TX_Empty	TX_Full	
base+A	SRXFIFO	Sample RX FIFO								
base+B	TXFCONT	TX FIFO Count								
base+C	STXFIFO	Sample TX FIFO								
base+D	FCCH	Frame Carrier Count High Byte								
base+E	FCCL	Frame Carrier Count Low Byte								
base+F	IRFSM	R	Decoder FSM			R	Encoder FSM			

#### 12.1.1 IR Configuration Register – Base Address + 0

Attribute: Read/Write

Size: 8 bits

BIT	7	6	5	4	3	2	1	0
NAME	Received	WIREN	TXEN	RXEN	WRXINV	RXINV	Sample Period Select	
DEFAULT	0	0	0	0	0	1	0	0

BIT	DESCRIPTION
7	Received.
6	Wide-band IR Enable



5	<b>TX Enable</b> 1: Transmission Enable. After confirming that FIFO is not empty, the transmission starts (the hardware will wait until TX FIFO data are written). If TX Enable is set to 0 during the transmission, the transmission stops when the transmission of FIFO data is completed. 0: Transmission Disable.
4	<b>RX Enable</b>
3	<b>Wide-band IR Rx Invert Enable</b> 0: Dongle Carrier ON is high, OFF (Idle) is low. 1: Dongle Carrier ON is low, OFF (Idle) is high.
2	<b>IR Rx Invert Enable</b> 0: Dongle Carrier ON is high, OFF (Idle) is low. 1: Dongle Carrier ON is low, OFF (Idle) is high.
1~0	<b>Sample Period Select</b> 00:1us, 01: 25us, 10: 50us, 11: 100us Note: In the 1us mode, the pulse mode will not function due to the IR regulations.

### 12.1.2 IR Status Register – Base Address + 1

Attribute: Read/Write

Size: 8 bits

BIT	7	6	5	4	3	2	1	0
Name	RDR	RTR	PE	RFO	TE	TTR	TFU	GH
DEFAULT	0	0	0	0	0	0	0	0

BIT	DESCRIPTION
7	<b>RX Data Ready</b> (Writing 1 will clear the bit).
6	<b>RX FIFO Trigger Level Reach</b> (Writing 1 will clear the bit).
5	<b>Packet End</b> (Writing 1 will clear the bit).
4	<b>RX FIFO Overrun</b> (Overrun and Data Ready will be simultaneously generated. Writing 1 will clear the bit).
3	<b>TX FIFO Empty</b> (Writing 1 will clear the bit).
2	<b>TX FIFO Trigger Level Reach</b> (Writing 1 will clear the bit).
1	<b>TX FIFO Underrun</b> (Writing 1 will clear the bit).
0	<b>Min Length Detected</b> (Writing 1 will clear the bit) 1: The IR Data length received is shorter than the default value. 0: The IR Data length received is longer than the default value.

### 12.1.3 IR Interrupt Configuration Register – Base Address + 2

Attribute: Read/Write

Size: 8 bits

BIT	7	6	5	4	3	2	1	0
-----	---	---	---	---	---	---	---	---

NAME	RDR	RTR	PE	RFO	TE	TTR	TFU	GH
DEFAULT	0	0	0	0	0	0	0	0

1: Enable interrupt; 0: Disable interrupt

BIT	DESCRIPTION
7	RX Data Ready
6	RX FIFO Trigger Level Reach
5	Packet End
4	RX FIFO Overrun (Overrun and Data Ready will be simultaneously generated).
3	TX FIFO Empty
2	TX FIFO Trigger Level Reach
1	TX FIFO Underrun
0	Min Length Detected

Note. When an Interrupt occurs, it only can be cleared by writing IR Status Register to 1.

#### 12.1.4 RX FIFO Count– Base Address + 5

Attribute: Read

Size: 8 bits

BIT	7	6	5	4	3	2	1	0
NAME	FIFO Count							
DEFAULT	0	0	0	0	0	0	0	0

1: Enable; 0: Disable

BIT	DESCRIPTION
7~0	RX FIFO Count

#### 12.1.5 IR TX Carrier Prescalar Configuration Register (CP) – Base Address + 4

Attribute: Read/Write

Size: 8 bits

BIT	7	6	5	4	3	2	1	0
NAME	Mode	Reserved						CP
DEFAULT	0	0	0	0	0	0	0	0

BIT	DESCRIPTION
7	<b>Mode</b> 0 : DC Mode 1 : Pulse Mode
6~1	<b>Reserved.</b>
0	<b>Carrier Prescalar (CP).</b> This bit is set for the Prescalar value of the IR TX carrier

frequency.
------------

**12.1.6 IR TX Carrier Period Configuration Register (CC) – Base Address + 5**

Attribute: Read/Write

Size: 8 bits

BIT	7	6	5	4	3	2	1	0
NAME	Carrier Period (CC)							
DEFAULT	0	0	0	0	0	0	0	0

BIT	DESCRIPTION
7~0	This byte is set for IR TX carrier period. The actual carrier period will be: $Period = 2 * (2 ^ (CP*2)) * (CC+1) / (System\ Clock)$ , where the frequency = 1 / period, and System Clock = 24MHz. Setting CP and CC to 0 will cause stop the device to from use using anyno carrier at all (that is, no light modulation, just constant on and off periods). The period count value CC can be any number from 0 to 255.

**12.1.7 IR RX Sample Limited Count High Byte Register (RCLCH) – Base Address + 6**

Attribute: Read/Write

Size: 8 bits

BIT	7	6	5	4	3	2	1	0
NAME	Sample Limited Count High Byte							
DEFAULT	0	0	0	0	0	0	0	0

BIT	DESCRIPTION
7~0	This byte is defined as the high byte of the limited count in the IR RX mode.

**12.1.8 IR RX Sample Limited Count Low Byte Register (RCLCL) – Base Address + 7**

Attribute: Read/Write

Size: 8 bits

BIT	7	6	5	4	3	2	1	0
NAME	Sample Limited Count low Byte							
DEFAULT	0	0	0	0	0	0	0	0

BIT	DESCRIPTION
7~0	This byte is defined as the low byte of the limited count in the IR RX mode.

Note. (RCLCH, RCLCL) is defined as 16 bits value of the limited count in the IR RX mode. When the RX date length reaches the limited count, Packet End status will appear.

**12.1.9 IR FIFO Configuration Register (FIFOCON) – Base Address + 8**

Attribute: Read/Write

Size: 8 bits

BIT	7	6	5	4	3	2	1	0
NAME	TXFIFOCLR	Reserved	TX Trigger Level		RXFIFOCLR	Reserved	RX Trigger Level	
DEFAULT	0	0	0	0	0	0	0	0

BIT	DESCRIPTION
7	<b>TX FIFO Cleared.</b>
6	<b>Reserved.</b>
5~4	<b>TX Trigger Level Bits</b> <b>5 4</b> 0 0: 31 0 1: 24 1 0: 16 1 1: 8
3	<b>RX FIFO Cleared.</b>
2	<b>Reserved.</b>
1~0	<b>RX Trigger Level Bits</b> <b>1 0</b> 0 0: 1 0 1: 8 1 0: 16 1 1: 24

**12.1.10IR Sample RX FIFO Status Register – Base Address + 9**

Attribute: Read Only

Size: 8 bits

BIT	7	6	5	4	3	2	1	0
NAME	IR_Pending	RX_GS	RX_FTA	RX_Empty	RX_Full	TX_FTA	TX_Empty	TX_Full
DEFAULT	0	0	0	0	0	0	0	0

BIT	DESCRIPTION
7	<b>IR Pending</b> 1: No Interrupt 0: Interrupt issue
6	<b>Minimum Length Detect Status.</b> This bit will be cleared when Packet End appears.
5	<b>RX FIFO Trigger Level Active.</b>
4	<b>RX FIFO Empty Flag.</b>
3	<b>RX FIFO Full Flag.</b>
2	<b>TX FIFO Trigger Level Active.</b>

BIT	DESCRIPTION
1	TX FIFO Empty Flag.
0	TX FIFO Full Flag.

**12.1.11IR Sample RX FIFO Register – Base Address + A**

Attribute: Read Only

Size: 8 bits

BIT	7	6	5	4	3	2	1	0
NAME	Voltage Level	Sample RX FIFO						

BIT	DESCRIPTION
7	<b>Voltage Level</b> 0: Low, 1: High
6~0	<b>RX data length</b> (Unit : Sample Period) Note: 1. 0x80 is Packet End. The hardware enters the Idle state after checking Rx Channel. 2. When 0x00 represents the glitch packet, it means pulses shorter than 3/4 sample period are received. 3. Pulses that are shorter than 1/4 sample periods will be ignored automatically.

**12.1.12TX FIFO Count– Base Address + 5**

Attribute: Read

Size: 8 bits

BIT	7	6	5	4	3	2	1	0
NAME	TX FIFO Count							
DEFAULT	0	0	0	0	0	0	0	0

1: Enable; 0: Disable

BIT	DESCRIPTION
7~0	TX FIFO Count

**12.1.13IR Sample TX FIFO Register – Base Address + C**

Attribute: Read Only

Size: 8 bits

BIT	7	6	5	4	3	2	1	0
NAME	Voltage Level	Sample TX FIFO						

BIT	DESCRIPTION
-----	-------------

7	<b>Voltage Level</b> 0: Low, 1: High
6~0	<b>TX data length</b> (Unit : Sample Period)

**12.1.14IR Carrier Count High Byte Register – Base Address + D**

Attribute: Read Only

Size: 8 bits

BIT	7	6	5	4	3	2	1	0
NAME	<b>Carrier Count High Byte</b>							

BIT	DESCRIPTION
7~0	<b>Carrier Count High Byte.</b> This byte records the total amount of the total rising edges until time-out event appears.

**12.1.15IR Carrier Count Low Byte Register – Base Address + E**

Attribute: Read Only

Size: 8 bits

BIT	7	6	5	4	3	2	1	0
NAME	<b>Carrier Count Low Byte</b>							

BIT	DESCRIPTION
7~0	<b>Carrier Count Low Byte.</b> This byte records the total amount of the the rising edges until time-out event appears.

After a time-out of reception on the learning receiver, this response is sent to tell the host the carrier frequency of the previous sample. The Carrier Count High Byte (ch) and Carrier Count Low Byte (cl) specify the cycle counts of cycles of the carrier. Carrier counts can also be thought of regarded as the number of leading edges in the previous sample.

This is used to calculate the carrier frequency is as follows:

$$\text{lastCarrierCount}_{(\text{decimal})} = \text{ch} * 256 + \text{cl};$$

Thus,

$$\text{Carrier frequency} = (\text{lastCarrierCount}) / (\text{irPacketOnDuration});$$

The **irPacketOnDuration** value is the total amount of time that the envelope of the signal was is high. The IR receiver should keep track of the time that of the high envelope is high and return it using this response.

This response is unsolicited. It is returned by the receiver when IR arrives but is never explicitly requested.

**12.1.16IR FSM Status Register (IRFSM) – Base Address + F**

Attribute: Read Only

Size: 8 bits

BIT	7	6	5	4	3	2	1	0
NAME	Reserved	Decoder FSM			Reserved	Encoder FSM		

DEFAULT	0	0	0	0	0	0	0	0
---------	---	---	---	---	---	---	---	---

BIT	DESCRIPTION
7	Reserved.
6	Decoder over status
5	Decoder continuing status
4	Decoder wait H status 1: idle, 0: RX busy
3	Reserved.
2	Encoder Idle Status. 1: idle, 0: TX busy
1	Encoder Read Status
0	Encoder Level Output Status

**12.1.17IR Minimum Length Register – Base Address + F**

Attribute: Write Only

Size: 8 bits

BIT	7	6	5	4	3	2	1	0
NAME	Min Length Register							
DEFAULT	0	0	0	0	0	0	0	0

BIT	DESCRIPTION
7~0	<b>Min Length Register.</b> Set up the shortest expected length of each carrier on the RX receiver (Unit: Sample Clock).

### 13. CONSUMER INFRARED REMOTE (CIR) WAKE-UP

One of the features of the NCT5577D is system boot-up by a remote controller. The hardware will store a specifically appointed key command from the IR remote controller in the FIFO of 67Byte.

The same key is required to re-boot the system after the computer shut-down. Such way can be applied to any remote controllers. Learning is necessary only at the first time.

#### 13.1 CIR WAKE-UP Register Table

RC Block									
ExtAddr	Name	7	6	5	4	3	2	1	0
base+0	IRCON	DEC_RST	Mode[1]	Mode[0]	RXEN	IgnoreEN	RXINV	Sample Period Select	
base+1	IRSTS	RDR	RTR	PE	RFO	GH	R	R	IR Pending
base+2	IREN	RDR	RTR	PE	RFO	GH	R		
Base+3		FIFO_COMPARE_DEEP							
base+4		FIFO_COMPARE_TOLERANCE							
base+5		FIFO_Count							
Base+6	SLCH	Sample Limit Count High Byte							
base+7	SLCL	Sample Limit Count Low Byte							
base+8	FIFOCON	R			RXFIFOCLR		R	Rx Trigger Level	
base+9	SRXFSTS	GS	FTA	Empty	Full	R			
base+A		Sample RX FIFO							
base+B		WR_FIFO_DATA							
Base+C		Read FIFO Only							
Base+D		Read FIFO Only Index							
Base+E		FIFO_Ignore							
Base+F	IRFSM	R	Decoder FSM			R		Wakeup Event	

#### 13.1.1 IR Configuration Register – Base Address + 0

Attribute: Read/Write

Size: 8 bits

BIT	7	6	5	4	3	2	1	0
NAME	DEC_RST	Mode[1]	Mode[0]	RXEN	Received	RXINV	Sample Period Select	
DEFAULT	0	0	1	0	0	1	1	0

BIT	DESCRIPTION
7	<b>Reset CIR DECODER</b> ( Write 1 to clear)
6	<b>Mode[1]</b> : 0: FIFO can't be written 1: FIFO can be written
5	<b>Mode[0]</b> 0: Learning Mode



BIT	DESCRIPTION
	1: Wake up Mode (Before enter in Power S3 state, this bit should be set) This bit reset by VCC.
4	<b>RX Enable</b>
3	<b>Ignore Bit Enable</b>
2	<b>IR Rx Invert Enable</b> 0: Dongle Carrier ON is high, OFF (Idle) is low. 1: Dongle Carrier ON is low, OFF (Idle) is high.
1~0	<b>Sample Period Select</b> 00:1us, 01: 25us, 10: 50us, 11: 100us Note: In the 1us mode, the pulse mode will not function due to the IR regulations.

### 13.1.2 IR Status Register – Base Address + 1

Attribute: Read/Write

Size: 8 bits

BIT	7	6	5	4	3	2	1	0
<b>NAME</b>	<b>RDR</b>	<b>RTR</b>	<b>PE</b>	<b>RFO</b>	<b>GH</b>	<b>Received</b>		<b>IR_Pending</b>
<b>DEFAULT</b>	0	0	0	0	0	0	0	0

BIT	DESCRIPTION
7	<b>RX Data Ready</b> (Writing 1 will clear the bit).
6	<b>RX FIFO Trigger Level Reach</b> (Writing 1 will clear the bit).
5	<b>Packet End</b> (Writing 1 will clear the bit).
4	<b>RX FIFO Overrun</b> (Overrun and Data Ready will be simultaneously generated. Writing 1 will clear the bit).
3	<b>Min Length Detected</b> (Writing 1 will clear the bit) 1: The IR Data length received is shorter than the default value. 0: The IR Data length received is longer than the default value.
2~1	<b>Reserved.</b>
0	<b>IR Pending</b> 1: No Interrupt 0: Interrupt issue

### 13.1.3 IR Interrupt Configuration Register – Base Address + 2

Attribute: Read/Write

Size: 8 bits

BIT	7	6	5	4	3	2	1	0
<b>NAME</b>	<b>RDR</b>	<b>RTR</b>	<b>PE</b>	<b>RFO</b>	<b>GH</b>	<b>Reserved</b>		
<b>DEFAULT</b>	0	0	0	0	0	0	0	0

1: Enable interrupt; 0: Disable interrupt

BIT	DESCRIPTION
7	RX Data Ready
6	RX FIFO Trigger Level Reach
5	Packet End
4	RX FIFO Overrun (Overrun and Data Ready will be simultaneously generated).
3	Min Length Detected
2~0	Reserved

Note. When an Interrupt occurs, it only can be cleared by writing IR Status Register to 1.

### 13.1.4 IR TX Configuration Register – Base Address + 3

Attribute: Read/Write

Size: 8 bits

BIT	7	6	5	4	3	2	1	0
NAME	FIFO Compare Deep							
DEFAULT	0	1	0	0	0	0	1	1

1: Enable; 0: Disable

BIT	DESCRIPTION
7~0	When in S3 state, how many bytes need to compare. Default is 67 bytes.

### 13.1.5 IR FIFO Compare Tolerance Configuration Register – Base Address + 4

Attribute: Read/Write

Size: 8 bits

BIT	7	6	5	4	3	2	1	0
NAME	FIFO Compare Tolerance							
DEFAULT	0	0	0	0	0	0	0	0

BIT	DESCRIPTION
7~0	<b>FIFO Data Tolerance between Learning mode and Wakeup mode.</b> (Every byte) FIFO Date Tolerance = (Learning mode data) – (Wakeup mode data)

### 13.1.6 RX FIFO Count– Base Address + 5

Attribute: Read

Size: 8 bits

BIT	7	6	5	4	3	2	1	0
NAME	FIFO Count							
DEFAULT	0	0	0	0	0	0	0	0

1: Enable; 0: Disable

BIT	DESCRIPTION
7~0	RX FIFO Count

**13.1.7 IR RX Sample Limited Count High Byte Register (RCLCH) – Base Address + 6**

Attribute: Read/Write

Size: 8 bits

BIT	7	6	5	4	3	2	1	0
NAME	Sample Limited Count High Byte							
DEFAULT	0	0	0	0	0	0	0	0

BIT	DESCRIPTION
7~0	This byte is defined as the high byte of the limited count in the IR RX mode.

**13.1.8 IR RX Sample Limited Count Low Byte Register (RCLCL) – Base Address + 7**

Attribute: Read/Write

Size: 8 bits

BIT	7	6	5	4	3	2	1	0
NAME	Sample Limited Count low Byte							
DEFAULT	0	0	0	0	0	0	0	0

BIT	DESCRIPTION
7~0	This byte is defined as the low byte of the limited count in the IR RX mode.

Note. (RCLCH, RCLCL) is defined as 16 bits value of the limited count in the IR RX mode. When the RX date length reaches the limited count, Packet End status will appear.

**13.1.9 IR FIFO Configuration Register (FIFOCON) – Base Address + 8**

Attribute: Read/Write

Size: 8 bits

BIT	7	6	5	4	3	2	1	0
NAME	Reserved				RXFIFOCLR	Reserved	RX Trigger Level	
DEFAULT	0	0	0	0	0	0	0	0

BIT	DESCRIPTION
7~4	Reserved
3	RX FIFO Cleared.
2	Reserved.
1~0	RX Trigger Level Bits 1 0 0 0: 67

0 1: 66
1 0: 65
1 1: 64

**13.1.10IR Sample RX FIFO Status Register – Base Address + 9**

Attribute: Read Only

Size: 8 bits

BIT	7	6	5	4	3	2	1	0
NAME	GS	FTA	Empty	Full	Reserved			
DEFAULT	0	0	0	0	0	0	0	0

BIT	DESCRIPTION
7	<b>Minimum Length Detect Status.</b> This bit will be cleared when Packet End appears.
6	<b>RX FIFO Trigger Level Active.</b>
5	<b>RX FIFO Empty Flag.</b>
4	<b>RX FIFO Full Flag.</b>
3~0	<b>Reserved</b>

**13.1.11IR Sample RX FIFO Register – Base Address + A**

Attribute: Read Only

Size: 8 bits

BIT	7	6	5	4	3	2	1	0
NAME	Voltage Level	Sample RX FIFO						

BIT	DESCRIPTION
7~6	<b>Voltage Level</b> 0: Low, 1: High
0	<b>RX data length</b> (Unit : Sample Period) Note: 1. 0x80 is Packet End. The hardware enters the Idle state after checking Rx Channel. 2. When 0x00 represents the glitch packet, it means pulses shorter than 3/4 sample period are received. 3. Pulses that are shorter than 1/4 sample periods will be ignored automatically.

**13.1.12Write FIFO – Base Address + B**

Attribute: Write Only

Size: 8 bits

BIT	7	6	5	4	3	2	1	0
NAME	Voltage Level	Write Sample RX FIFO						

BIT	DESCRIPTION
7~6	<b>Voltage Level</b> 0: Low, 1: High
0	<b>RX data length</b> (Unit : Sample Period)

Note. Before writing FIFO Data, mode[1] register should be set.

### 13.1.13 Read FIFO Only – Base Address + C

Attribute: Read Only

Size: 8 bits

BIT	7	6	5	4	3	2	1	0
<b>NAME</b>	<b>Voltage Level</b>	<b>Sample RX FIFO</b>						

BIT	DESCRIPTION
7~6	<b>Voltage Level</b> 0: Low, 1: High
0	<b>RX data length</b> (Unit : Sample Period)

Note. Only Read FIFO Data.

### 13.1.14 Read FIFO Index – Base Address + D

Attribute: Read Only

Size: 8 bits

BIT	7	6	5	4	3	2	1	0
<b>NAME</b>	<b>FIFO Index</b>							

BIT	DESCRIPTION
7~0	Indicate that FIFO Index when only read FIFO data(Base Address + C)

Note. Only Read FIFO Data.

### 13.1.15 Reserved – Base Address + E

### 13.1.16 IR FSM Status Register (IRFSM) – Base Address + F

Attribute: Read Only

Size: 8 bits

BIT	7	6	5	4	3	2	1	0
<b>NAME</b>	<b>Reserved</b>	<b>Decoder FSM</b>			<b>Reserved</b>			<b>Wakeup event</b>
<b>DEFAULT</b>	0	0	0	0	0	0	0	0

### 13.1.17 IR Minimum Length Register – Base Address + F

Attribute: Write Only

Size: 8 bits

<b>BIT</b>	7	6	5	4	3	2	1	0
<b>NAME</b>	<b>Min Length Register</b>							
<b>DEFAULT</b>	0	0	0	0	0	0	0	0

<b>BIT</b>	<b>DESCRIPTION</b>
7~0	Min Length Register. Set up the shortest expected length of each carrier on the RX receiver (Unit: Sample Clock).

新唐科技 NUVOTON  
INTELLECTUAL PROPERTY

## 14. POWER MANAGEMENT EVENT

The PME# (pin 32) signal is connected to the South Bridge and is used to wake up the system from S1 ~ S5 sleeping states.

One control bit and four registers in the NCT5577D are associated with the PME function. The control bit is at Logical Device A, CR[F2h], bit[0] and is for enabling or disabling the PME function. If this bit is set to “0”, the NCT5577D won't output any PME signal when any of the wake-up events has occurred and is enabled. The four registers are divided into PME status registers and PME interrupt registers of wake-up events <sup>Note.1</sup>.

- 1) The PME status registers of wake-up event:
  - At Logical Device A, CR[F3h] and CR[F4h]
  - Each wake-up event has its own status
  - The PME status should be cleared by writing a “1” before enabling its corresponding bit in the PME interrupt registers
- 2) The PME interrupt registers of wake-up event:
  - At Logical Device A, CR[F6h] and CR[F7h]
  - Each wake-up event can be enabled / disabled individually to generate a PME# signal

Note.1 PME wake-up events that the NCT5577D supports include:

- Mouse IRQ event
- Keyboard IRQ event
- UART A IRQ event
- IR IRQ event
- Hardware Monitor IRQ event
- WDT1 event

Note.2 All the above support both S0 and S1 states.

### 14.1 Power Control Logic

This chapter describes how the NCT5577D implements its ACPI function via these power control pins: PSIN# (Pin 29), PSOUT# (Pin 28), SLP\_S3# (Pin 31) and PSON# (Pin 30). The following figure illustrates the relationships.

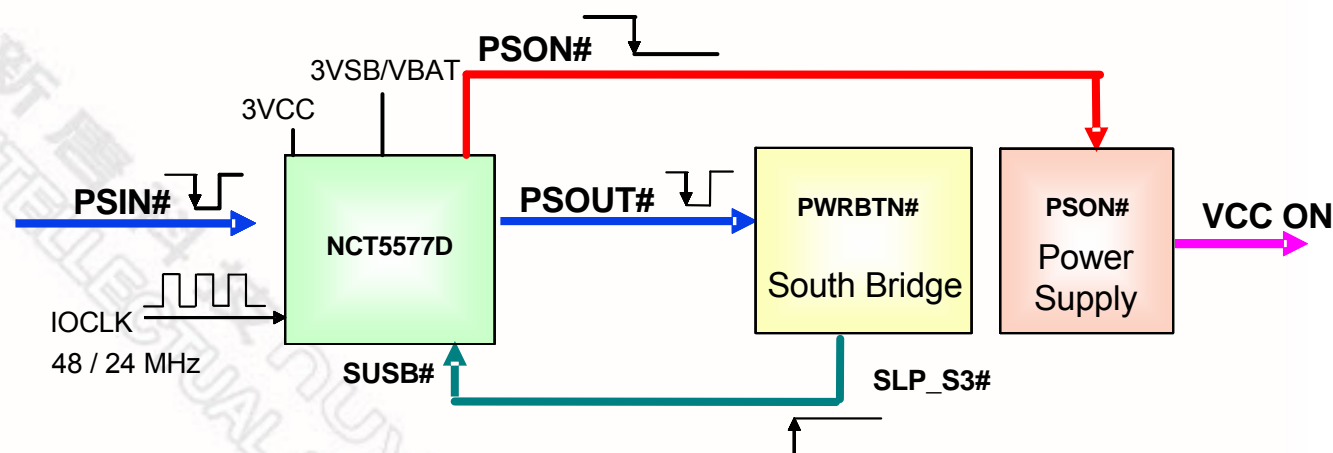


Figure 14-1 Power Control Mechanism

#### 14.1.1 PSON# Logic

**14.1.1.1. Normal Operation**

The PSOUT# signal will be asserted low if the PSIN# signal is asserted low. The PSOUT# signal is held low for as long as the PSIN# is held low. The South Bridge controls the SLP\_S3# signal through the PSOUT# signal. The PSIN# is directly connected to the power supply to turn on or off the power.

Figure 14-2 shows the power on and off sequences.

The ACPI state changes from S5 to S0, then to S5

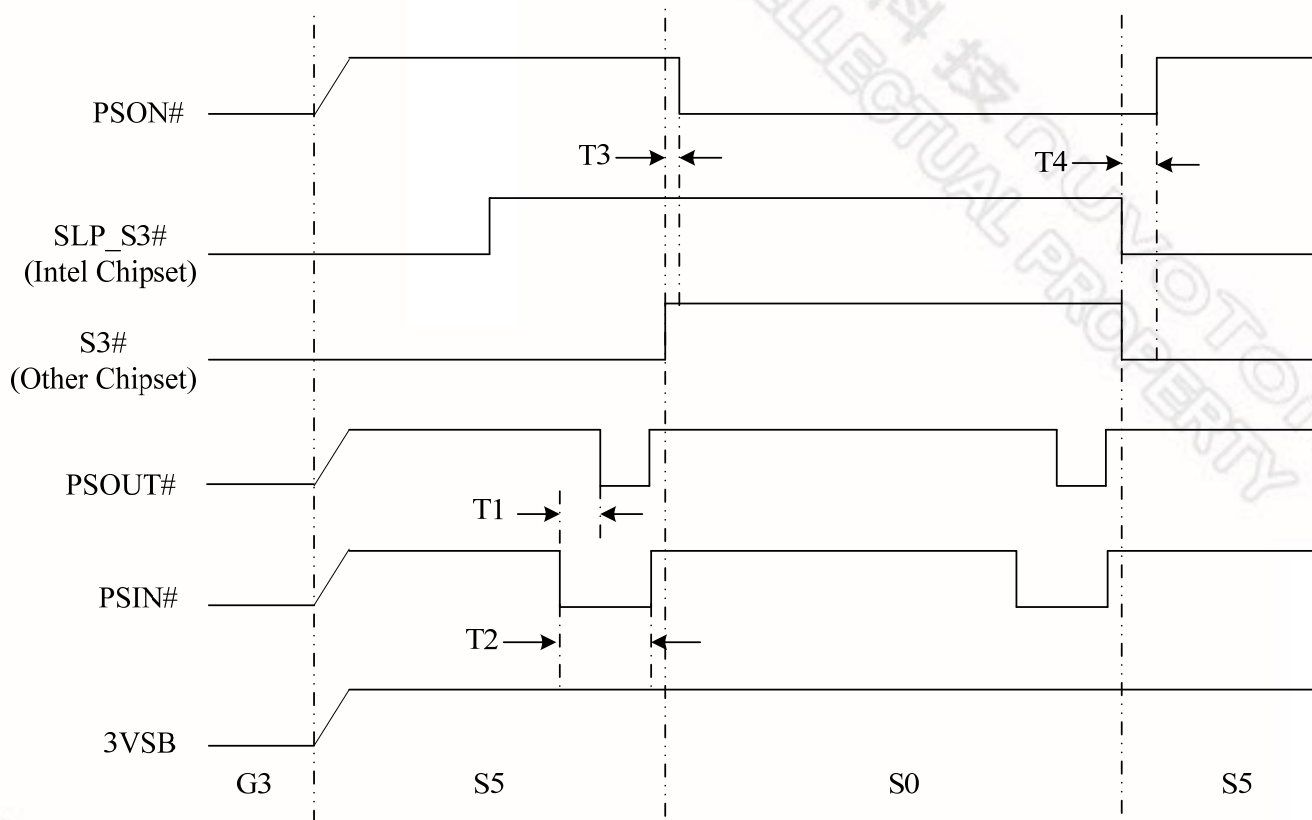


Figure 14-2 Power Sequence from S5 to S0, then Back to S5

**14.1.2 AC Power Failure Resume**

By definition, AC power failure means that the standby power is removed. The power failure resume control logic of the NCT5577D is used to recover the system to a pre-defined state after AC power failure. Two control bits at Logical Device A, CR[E4h], bits[6:5] indicate the pre-defined state. The definition of these two bits is listed in the following table:

Table 14-1 Bit Map of Logical Device A, CR[E4h], Bits[6:5]

LOGICAL DEVICE A, CR[E4H], BITS[6 :5]	DEFINITION
---------------------------------------	------------



LOGICAL DEVICE A, CR[E4H], BITS[6 :5]	DEFINITION
00	System always turns off when it returns from AC power failure
01	System always turns on when it returns from AC power failure
10	System turns off / on when it returns from power failure depending on the state before the power failure. (Please see Note 1)
11	User defines the state before the power failure. (The previous state is set at CRE6[4]. Please see Note 2)

Note1. The NCT5577D detects the state before power failure (on or off) through the SLP\_S3# signal and the 3VCC power. The relation is illustrated in the following two figures.

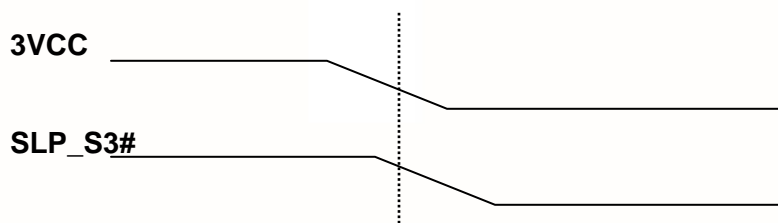


Figure 14-3 The previous state is “on”  
3VCC falls to 2.6V and SLP\_S3# keeps at 2.0V.

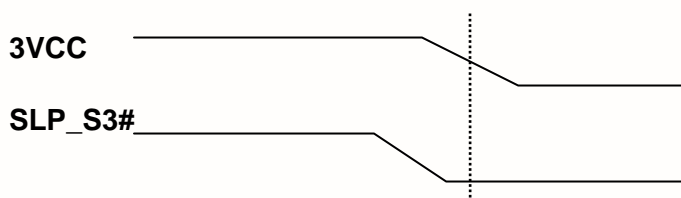


Figure 14-4 The previous state is “off”.  
3VCC falls to 2.6V and SLP\_S3# keeps at 0.8V.

Note 2.

Logical Device A, CR[E6h] bit [4]	Definition
0	User defines the state to be “on”
1	User defines the state to be “off”

To ensure that VCC does not fall faster than VSB in various ATX Power Supplies, the NCT5577D adds the option of “user define mode” for the pre-defined state before AC power failure. BIOS can set the pre-defined state to be “On” or “Off”. According to this setting, the system is returned to the pre-defined state after the AC power recovery.

## 14.2 Wake Up the System by Keyboard and Mouse

The NCT5577D generates a low pulse through the PSOUT# pin to wake up the system when it detects a key code pressed or mouse button clicked. The following sections describe how the NCT5577D works.

**14.2.1 Waken up by Keyboard events**

The keyboard Wake-Up function is enabled by setting Logical Device A, CR[E0h], bit 6 to “1”.

There are two keyboard events can be used for the wake-up

- 1) Any key – Set bit 0 at Logical Device A, CR[E0h] to “1” (Default).
- 2) Specific keys (Password) – Set bit 0 at Logical Device A, CR[E0h] to “0”.

Three sets of specific key combinations are stored at Logical Device A. CR[E1h] is an index register to indicate which byte of key code storage (0x00h ~ 0x0Eh, 0x30h ~ 0x3Eh, 0x40h ~ 0x4Eh) is going to be read or written through CR[E2h]. According to IBM 101/102 keyboard specification, a complete key code contains a 1-byte make code and a 2-byte break code. For example, the make code of “0” is 0x45h, and the corresponding break code is 0xF0h, 0x45h.

The approach to implement Keyboard Password Wake-Up Function is to fill key codes into the password storage. Assume that we want to set “012” as the password. The storage should be filled as below. Please note that index 0x09h ~ 0x0Eh must be filled as 0x00h since the password has only three numbers.

Index(CRE1)→	00	01	02	03	04	05	06	07	08	09	0A	0B	0C	0D	0E
Data(CRE2)→	1E	F0	1E	16	F0	16	45	F0	45	00	00	00	00	00	00

**14.2.2 Waken up by Mouse events**

The mouse Wake-Up function is enabled by setting Logical Device A, CR[E0h], bit 5 to “1”.

The following specific mouse events can be used for the wake-up:

- Any button clicked or any movement
- One click of the left or the right button
- One click of the left button
- One click of the right button
- Two clicks of the left button
- Two clicks of the right button.

Three control bits (ENMDAT\_UP, MSRKEY, MSXKEY) define the combinations of the mouse wake-up events. Please see the following table for the details.

Table 14-2 Definitions of Mouse Wake-Up Events

ENMDAT_UP (LOGICAL DEVICE A, CR[E6H], BIT 7)	MSRKEY (LOGICAL DEVICE A, CR[E0H], BIT 4)	MSXKEY (LOGICAL DEVICE A, CR[E0H], BIT 1)	WAKE-UP EVENT
--	---	--	---------------

ENMDAT_UP (LOGICAL DEVICE A, CR[E6H], BIT 7)	MSRKEY (LOGICAL DEVICE A, CR[E0H], BIT 4)	MSXKEY (LOGICAL DEVICE A, CR[E0H], BIT 1)	WAKE-UP EVENT
1	x	1	Any button clicked or any movement.
1	x	0	One click of the left or right button.
0	0	1	One click of the left button.
0	1	1	One click of the right button.
0	0	0	Two clicks of the left button.
0	1	0	Two clicks of the right button.

### 14.3 Resume Reset Logic

The RSMRST# (Pin 49) signal is a reset output and is used as the VSB power on reset signal for the South Bridge.

When the NCT5577D detects the 3VSB voltage rises to “V1”, it then starts a delay – “t1” before the rising edge of RSMRST# asserting. If the 3VSB voltage falls below “V2”, the RSMRST# de-asserts immediately.

Timing and voltage parameters are shown in Figure 14-5 and Table 14-3.

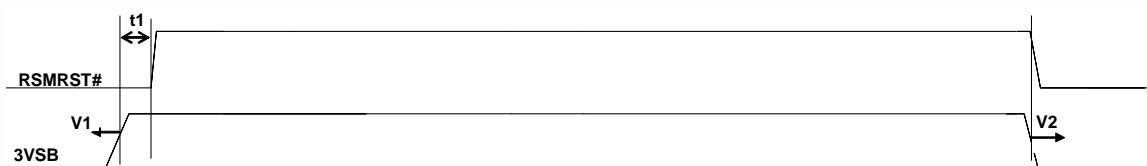


Figure 14-5 Mechanism of Resume Reset Logic

Table 14-3 Timing and Voltage Parameters of RSMRST#

NAME	PARAMETER	MIN.	MAX.	UNIT
V1	3VSB Valid Voltage	-	3.033	V
V2	3VSB Ineffective Voltage	2.882	-	V
t1	Valid 3VSB to RSMRST# inactive	100	200	mS

## 15. SERIALIZED IRQ

The NCT5577D supports a serialized IRQ scheme. This allows a signal line to be used to report the parallel interrupt requests. Since more than one device may need to share the signal serial SERIRQ signal, an open drain signal scheme is employed. The clock source is the PCI clock. The serialized interrupt is transferred on the SERIRQ signal, one cycle consisting of three frames types: the Start Frame, the IRQ/Data Frame, and the Stop Frame.

### 15.1 Start Frame

There are two modes of operation for the SERIRQ Start Frame: Quiet mode and Continuous mode.

In the Quiet mode, the NCT5577D drives the SERIRQ signal active low for one clock, and then tri-states it. This brings all the state machines of the NCT5577D from idle to active states. The host controller (the South Bridge) then takes over driving SERIRQ signal low in the next clock and continues driving the SERIRQ low for programmable 3 to 7 clock periods. This makes the total number of clocks low 4 to 8 clock periods. After these clocks, the host controller drives the SERIRQ high for one clock and then tri-states it.

In the Continuous mode, the START Frame can only be initiated by the host controller to update the information of the IRQ/Data Frame. The host controller drives the SERIRQ signal low for 4 to 8 clock periods. Upon a reset, the SERIRQ signal is defaulted to the Continuous mode for the host controller to initiate the first Start Frame.

Please see the diagram below for more details.

Start Frame Timing with source sampled a low pulse on IRQ1.

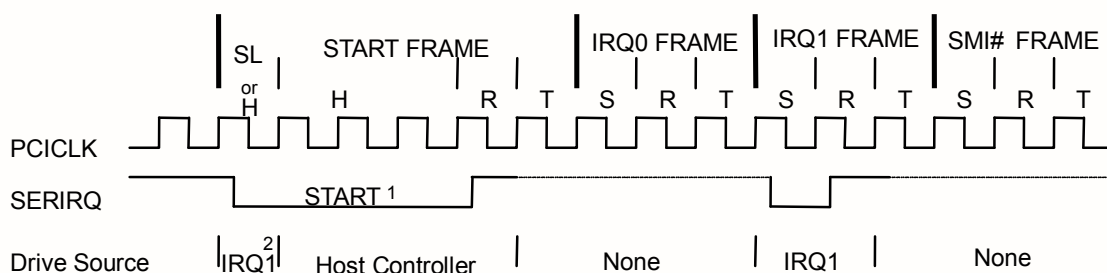


Figure 15-1 Start Frame Timing with Source Sampled A Low Pulse on IRQ1

H=Host Control      SL=Slave Control      R=Recovery      T=Turn-around      S=Sample

Note:

1. The Start Frame pulse can be 4-8 clocks wide.
2. The first clock of Start Frame is driven low by the NCT5577D because IRQ1 of the NCT5577D needs an interrupt request. Then the host takes over and continues to pull the SERIRQ low.

### 15.2 IRQ/Data Frame

Once the Start Frame has been initiated, the NCT5577D must start counting frames based on the rising edge of the start pulse. Each IRQ/Data Frame has three clocks: the Sample phase, the Recovery phase, and the Turn-around phase.

During the Sample phase, the NCT5577D drives SERIRQ low if the corresponding IRQ is active. If the corresponding IRQ is inactive, then SERIRQ must be left tri-stated. During the Recovery phase, the NCT5577D device drives the SERIRQ high. During the Turn-around phase, the NCT5577D device leaves the SERIRQ tri-stated. The NCT5577D starts to drive the SERIRQ line from the beginning of "IRQ0 FRAME" based on the rising edge of PCICLK.

The IRQ/Data Frame has a specific numeral order, as shown in Table 15-1.

Table 15-1 SERIRQ Sampling Periods

SERIRQ SAMPLING PERIODS			
IRQ/DATA FRAME	SIGNAL SAMPLED	# OF CLOCKS PAST START	EMPLOYED BY
1	IRQ0	2	Reserved
2	IRQ1	5	Keyboard
3	SMI#	8	H/W Monitor & SMI
4	IRQ3	11	IR
5	IRQ4	14	UART A
6	IRQ5	17	-
7	IRQ6	20	-
8	IRQ7	23	-
9	IRQ8	26	-
10	IRQ9	29	-
11	IRQ10	32	-
12	IRQ11	35	-
13	IRQ12	38	Mouse
14	IRQ13	41	Reserved
15	IRQ14	44	-
16	IRQ15	47	-
17	IOCHCK#	50	-
18	INTA#	53	-
19	INTB#	56	-
20	INTC#	59	-
21	INTD#	62	-
32:22	Unassigned	95	-

### 15.3 Stop Frame

After all IRQ/Data Frames have completed, the host controller will terminate SERIRQ with a Stop frame. Only the host controller can initiate the Stop Frame by driving SERIRQ low for 2 or 3 clocks. If the Stop Frame is low for 2 clocks, the Sample mode of next SERIRQ cycle's Sample mode is the Quiet mode. If the Stop Frame is low for 3 clocks, the Sample mode of next SERIRQ cycle is the Continuous mode.

Please see the diagram below for more details.

Stop Frame Timing with Host Using 17 SERIRQ sampling period.

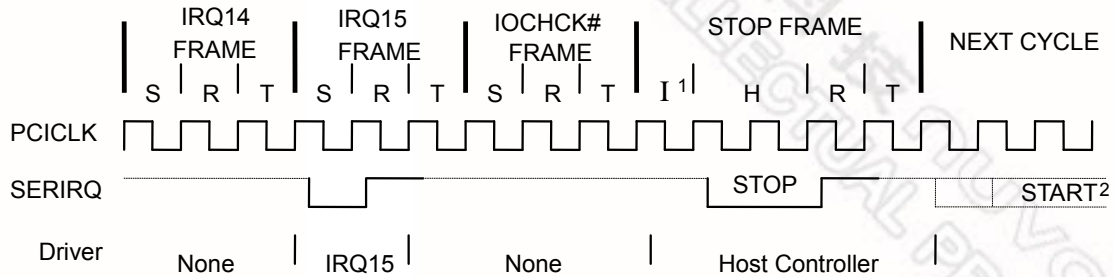


Figure 15-2 Stop Frame Timing with Host Using 17 SERIRQ Sampling Period

H=Host Control      R=Recovery      T=Turn-around      S=Sample      I= Idle.

Note:

1. There may be none, one or more Idle states during the Stop Frame.
2. The Start Frame pulse of next SERIRQ cycle may or may not start immediately after the turn-around clock of the Stop Frame.

## 16. WATCHDOG TIMER

The Watchdog Timer of the NCT5577D consists of an 8-bit programmable time-out counter and a control and status register. GPIO2, GPIO3, GPIO5, GPIO8, GPIOA provides an alternative WDT1 function. This function can be configured by the relative GPIO control register. The units of Watchdog Timer counter can be selected at Logical Device 8, CR[F5h], bit[3]. The time-out value is set at Logical Device 8, CR[F6h]. Writing zero disables the Watchdog Timer function. Writing any non-zero value to this register causes the counter to load this value into the Watchdog Timer counter and start counting down.

The NCT5577D outputs a low signal to the GPIO2 bit[0] & [4], GPIO3 bit[0] & [4], GPIO5 bit[4], GPIO8 bit[0] & [4], and GPIOA bit[0] when a time-out event occurs. In other words, when the value is counted down to zero, the timer stops, and the NCT5577D sets the WDT1 status bit in Logical Device 8, CR[F7h], bit[4]. Writing a zero will clear the status bit. It. This bit will also be cleared if LRESET# or PWROK# signal is asserted.

Please note that the output type of GPIO2, GPIO3, GPIO5, GPIO8, bit[0] & [4], and GPIOA bit[0] are open-drain.

## 17. GENERAL PURPOSE I/O

### 17.1 GPIO ARCHITECTURE

The NCT5577D provides 32 input/output ports that can be individually configured to perform a simple basic I/O function or alternative, pre-defined function. GPIO port 7 ~ 9 is configured through control registers in logical device 7, GPIO port 2 ~ 5 in logical device 9, and GPIO port A is configured through control registers in logical device 17. Users can configure each individual port to be an input or output port by programming respective bit in selection register (0 = output, 1 = input). Invert port value by setting inversion register (0 = non-inverse, 1 = inverse). Port value is read/written through data register.

In addition, only GP41 is designed to be able to assert PSOUT# or PME# signal to wake up the system if any of them has any transitions. There is about 16ms debounced circuit inside the GP41 and it can be disabled by programming respective bit (LD9, CR[Feh] bit 4~7). Users can set what kind of event type, level or edge, and polarity, rising or falling, to perform the wake-up function. The following table gives more detailed register map on GP41.

Table 17-1 Relative Control Registers of GPIO 41 that Support Wake-Up Function

	<b>EVENTROUTE I (PSOUT#)</b>	<b>EVENTROUTE II (PME#)</b>	<b>EVENT DEBOUNCED</b>	<b>EVENT TYPE</b>	<b>EVENT POLARITY</b>	<b>EVENT STATUS</b>
	<b>0: DISABLE 1: ENABLE</b>	<b>0: DISABLE 1: ENABLE</b>	<b>0 : ENABLE 1 : DISABLE</b>	<b>0 : EDGE 1: LEVEL</b>	<b>0 : RISING 1 : FALLING</b>	
<b>GP41</b>	LDA, CR[Feh] bit7	LDA, CR[Feh] bit3	LD9, CR[Feh] bit4	LD9, CR[Feh] bit0	LD9, CR[F2h] bit1	LD9, CR[E8h] bit1



## 17.2 ACCESS CHANNELS

There are two different channels to set up/access the GPIO ports. The first one is the indirect access via register 2E/2F (4E/4F, it depends by HEFRAS trapping). The registers can be read / written only when the respective logical device ID and port number are selected.

The other is the direct access through GPIO register table that can be configured by {CR61, CR60} of logic device 8. The mapped 5 registers are defined in table 17-2. Since the base address is set, the GPIO number can be selected by writing the group number to GSR [INDEX] (GPIO Select Register, #0~#A for GPIO2 ~ GPIOA respectively). Then the I/O register, the Data register and the Inversion register are mapped to addresses Base+0, Base+1 and Base+2 respectively. Only one GPIO can be accessed at one time.

Table 17-2 GPIO Register Addresses

ADDRESS	ABBR	BIT NUMBER							
		7	6	5	4	3	2	1	0
Base + 0	GSR	Reserved				INDEX			
Base + 1	IOR	GPIO I/O Register							
Base + 2	DAT	GPIO Data Register							
Base + 3	INV	GPIO Inversion Register							
Base + 4	DST	GPIO Status Register							

## 18. SMBUS MASTER INTERFACE

### 18.1 General Description

The SMBus interface module is two wire serial interface compatible to the SMBus physical layer. It is also compatible with Intel's SMBus and Philips' I<sup>2</sup>C bus.

The rest of this section introduces the various features of the SMBus master capability. These features are divided into the following sections:

- ◆ SMBus and I<sup>2</sup>C compliant
- ◆ AMD-TSI
- ◆ PCH
- ◆ SMBus master

### 18.2 Introduction to the SMBus Master

#### 18.2.1 Data Transfer Format

Every byte transferred on the bus consists of 8 bits. After the start condition, the master places the 7-bit address to the slave device it wants to address on the bus. The address followed an eight bit indicating the direction of the data transfer (R/W#); a zero indicates a transmission for data while a one indicates a request for data. Each byte is transferred with the most significant bit first, and after each byte, an acknowledge signal must follow. A data transfer is always terminated by stop condition generated by master.

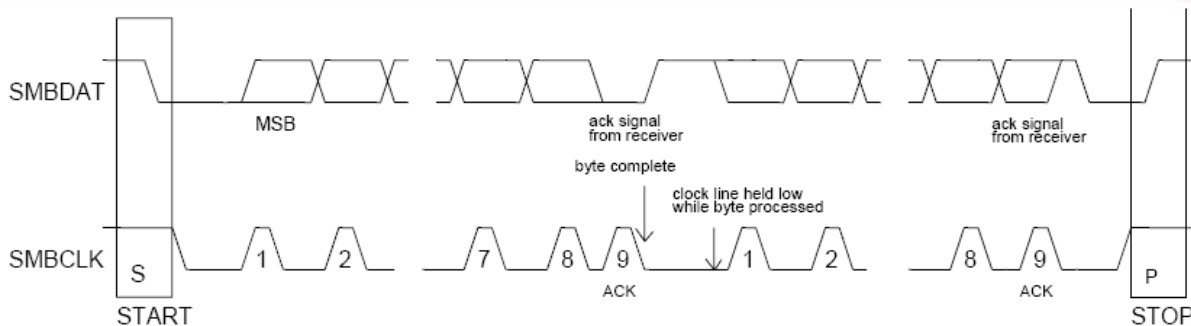


Figure 18-1 Data Transfer Format

#### 18.2.2 Arbitration

Arbitration takes place on the SMBDAT data line while the SMBCLK line is high. Two devices may generate a start condition at the same time and enter the arbitration procedure. Arbitration continues until one master generates a HIGH level on the SMBDAT line while another competing master generates a LOW level on the SMBDAT line while SMBCLK is high. The master device which generated the HIGH level on SMBDAT loses arbitration. If a device loses arbitration during the first byte following a start condition i.e. while transmitting a slave address it becomes a slave receiver and monitors the address for a potential match. Arbitration may also be lost in the master receive mode during the acknowledge cycle.

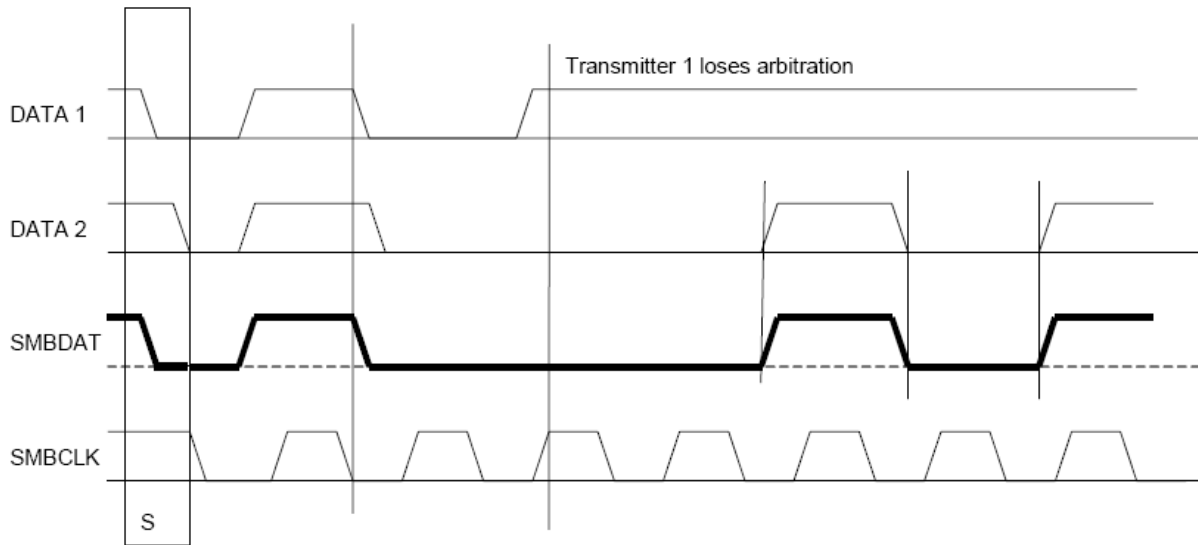


Figure 18-2 SMBus Arbitration

### 18.2.3 Clock Synchronization

Clock synchronization is performed while the arbitration procedure described above is in effect. Clock Synchronization takes place between two competing devices by utilizing the wired-AND nature of the SMBCLK line. The SMBCLK line will go low as soon as the master with the shortest high time pulls SMBCLK low. SMBCLK will remain low until the device with the longest SMBCLK low time relinquishes the SMBCLK line. Therefore the SMBCLK high time is determined by device with the shortest high time while the SMBCLK low time is determined by the device with the longest low time.

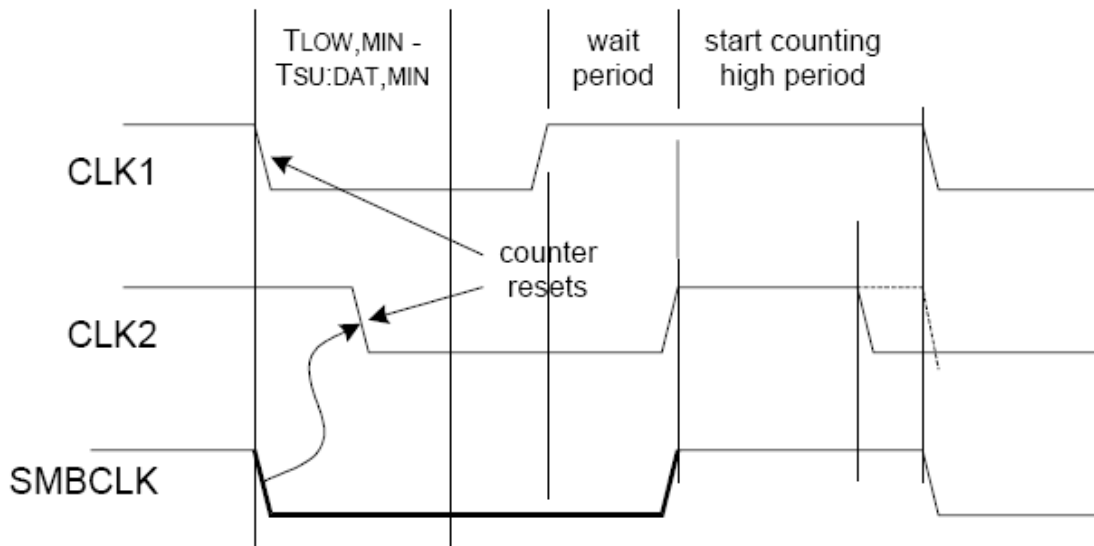


Figure 18-3 Clock synchronization

### 18.3 SB-TSI

The combined-format repeated start sequence is not supported in standard-mode and fast-mode.

- ◆ Only 7-bit SMBus addresses are supported.
- ◆ SB-TSI implements the Send/Receive Byte and Read/Write Byte protocols.
- ◆ SB-TSI registers can only be written using a write byte command.
- ◆ Address Resolution Protocol (ARP) is not implemented.
- ◆ Packet Error Checking (PEC) is not supported.

#### 18.3.1 SB-TSI Address

The SMBus address is really 7 bits. The SB-TSI address is normally 98h or 4Ch. The address could vary with address select bits.

Table 18-1 SB-TSI Address Encoding

Address Select Bits	SB-TSI Address
000b	98h
001b	9Ah
010b	9Ch
011b	9Eh
100b	90h
101b	92h
110b	94h
111b	96h

### 18.4 PCH

The PCH provide system thermal data to EC. The EC can manage the fans and other cooling elements based on this data. A subset of the thermal collection is that the PCH and be programmed to alert the EC when a device has gone outside of its temperature limits.

#### 18.4.1 Command Summary

Table 18-2 PCH Command Summary

Trans-action	Slave Addr.	Data Byte 0 =Com mand	Data Byte 1 =Byte Count	Data Byte 2	Data Byte 3	Data Byte 4	Data Byte 5	Data Byte 6	Data Byte 7
Write STS Preferences	I2C	0x41	0x6	STS [47:40]	STS [39:32]	STS [31:24]	STS [23:16]	STS [15:8]	STS [7:0]
Write CPU Temp Limits	I2C	0x42	0x6	Lower Limit [15:8]	Lower Limit [7:0]	Upper Limit [15:8]	Upper Limit [15:8]		
Write MCH	I2C	0x43	0x2	Lower	Upper	na	na		

Temp Limits				Limit [7:0]	Limit [7:0]				
Write IBX Temp Limits	I2C	0x44	0x2	Lower Limit [7:0]	Upper Limit [7:0]	na	na		
Write DIMM Temp Limits	I2C	0x45	0x2	Lower Limit [7:0]	Upper Limit [7:0]	na	na		
Write MPC CPU Power Clamp	I2C	0x50	0x2	Lower Limit [7:0]	Power Clamp [7:0]				
Block Read	Block Read Address	0x40	Block Read Address	Byte Count	Data 0	Data N	PEC (optional)		

### 18.5 SMBus Master

#### 18.5.1 Block Diagram

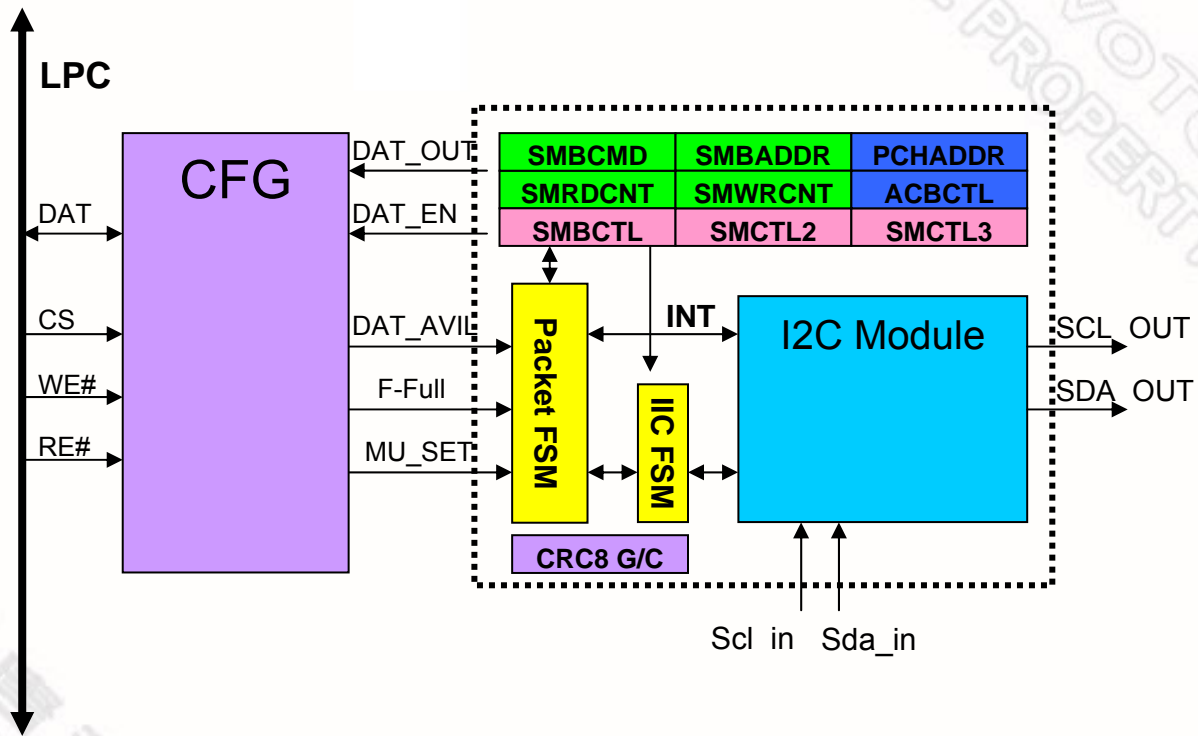


Figure 18-4 SMBus Master Block Diagram

18.5.2 Programming Flow

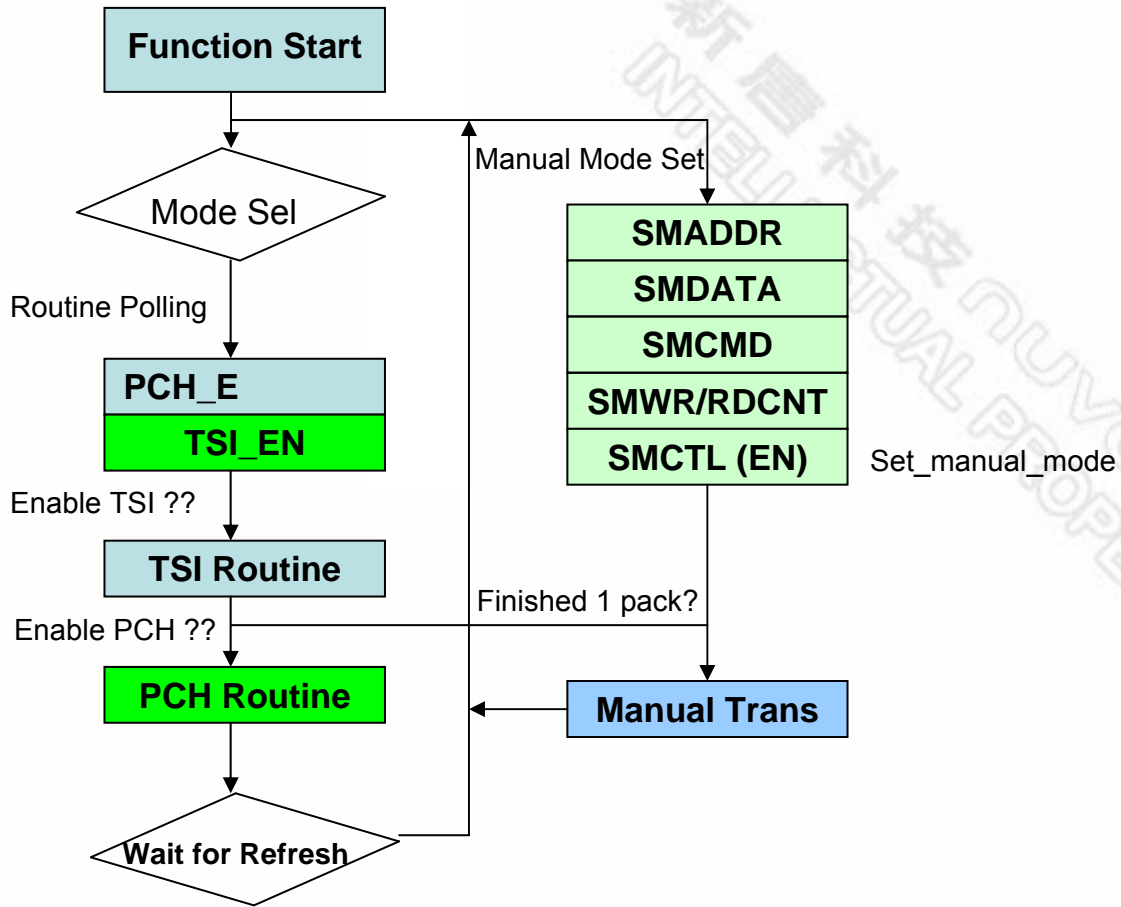


Figure 18-5 Programming Flow

18.5.3 TSI Routine

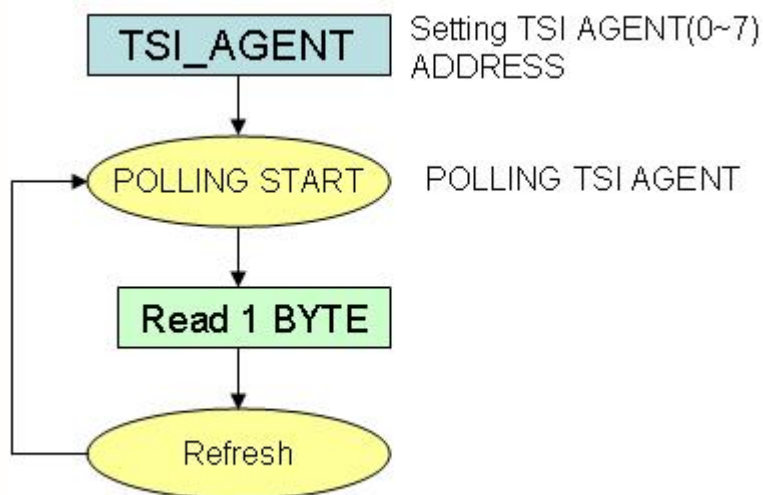


Figure 18-6 TSI Routine

18.5.4 PCH Routine

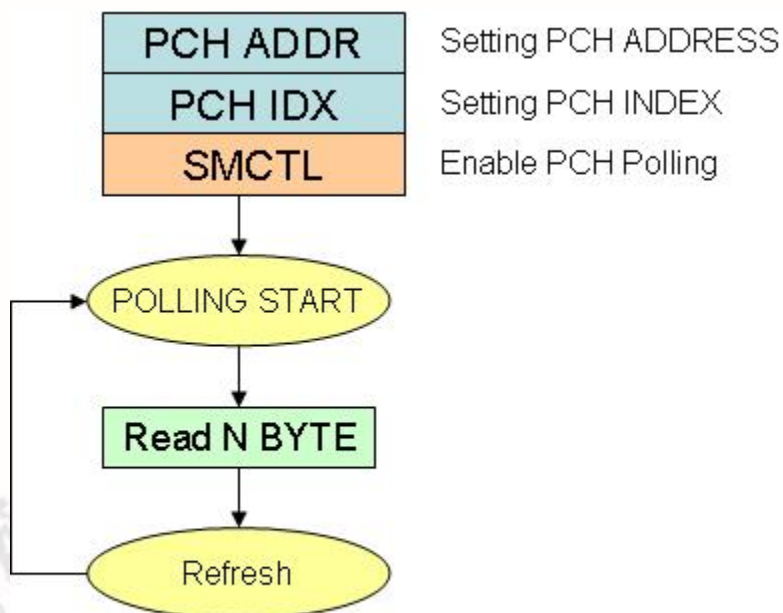


Figure 18-7 PCH Routine

18.5.5 BYTE Routine

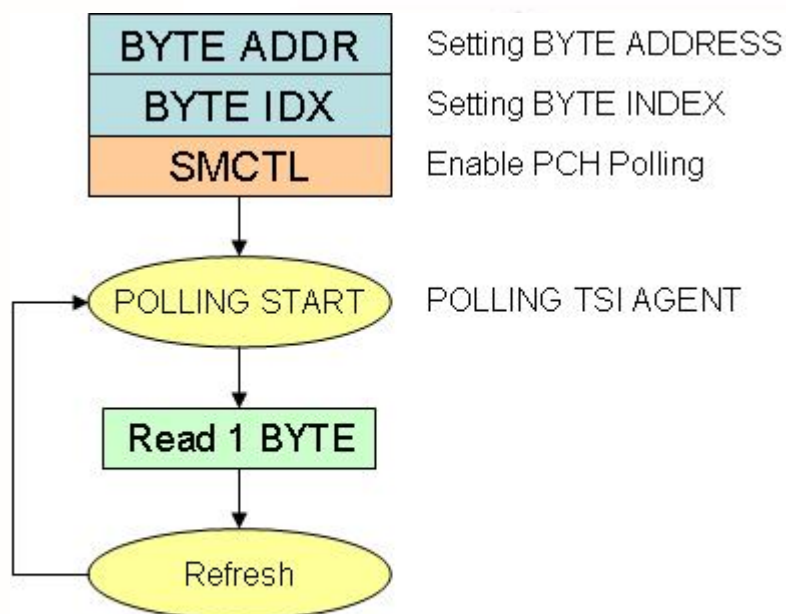


Figure 18-8 PCH Routine

18.5.6 Manual Mode interface

The SMBus host supports Block/Word/Byte Write and Block/Word/Byte read with PEC. The SMBus host can use the interface to access the smbus slave. The timing diagrams below illustrate how to use the smbus interface to write the data or read the data to the smbus slave.

新唐科技 NUVOTON  
INTELLECTUAL PROPERTY



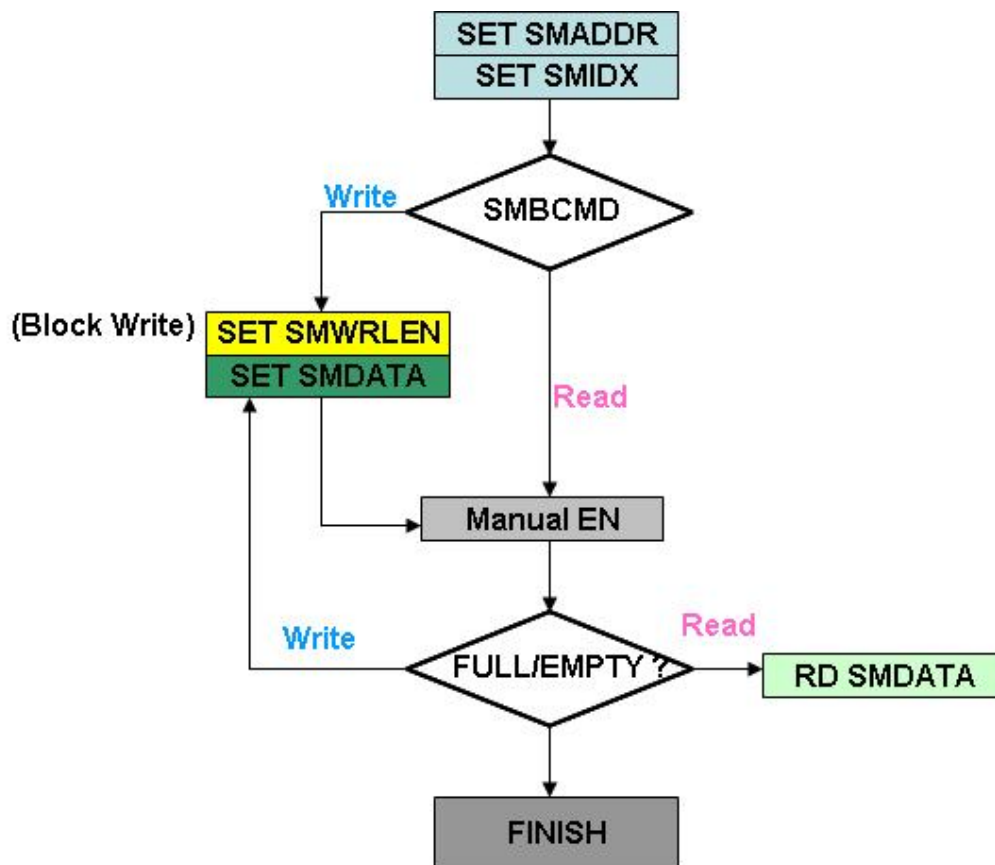


Figure 18-9 Manual Mode Programming Flow

## 18.6 Register Type Abbreviations

The following abbreviations are used to indicate the Register Type:

- ◆ R/W = Read/Write.
- ◆ R = Read from register.
- ◆ W = Write.
- ◆ RO = Read-only.

To program the SMBus master configuration registers, the following configuration procedures must be followed in sequence:

- (1). Enter the Extended Function Mode.
- (2). Configure the configuration registers.

### 18.6.1 Enter the Extended Function Mode

To place the chip into the Extended Function Mode, two successive writes of 0x26 must be applied to Extended Function Enable Registers (EFERs, i.e. 2Eh or 4Eh).

### 18.6.2 Configure the Configuration Registers

The chip selects the Logical Device and activates the desired Logical Devices through Extended Function Index Register (EFIR) and Extended Function Data Register (EFDR). The EFIR is located at the same address as the EFER, and the EFDR is located at address (EFIR+1).

First, write the Logical Device Number (i.e. 0x07) to the EFIR and then write the number of the desired Logical Device to the EFDR. If accessing the Chip (Global) Control Registers, this step is not required.

Secondly, write the address of the desired configuration register within the Logical Device to the EFIR and then write (or read) the desired configuration register through the EFDR.

## 18.7 SMBus Master Register Set

### 18.7.1 SMBus Register Map

SMBus Master base address in register Logic Device B CR62h(MSB), CR63h(LSB).

Table 18-3 SMBus Master Bank 0 Registers

Offset	Type	Name	Section
0	R/W	<b>SMDATA</b>	18.7.2
1	R/W	<b>SMWRSIZE</b>	18.7.3
2	R/W	<b>SMBCMD</b>	18.7.4
3	R/W	<b>SMIDX</b>	18.7.5
4	R/W	<b>SMCTL</b>	18.7.6
5	R/W	<b>SMADDR</b>	18.7.7
6	R/W	<b>SCKFREQ</b>	18.7.8
7	RO	<b>Reserved</b>	--
8	R/W	<b>PCHADDR</b>	18.7.10
9	R/W	<b>Error_status</b>	18.7.11
A	R/W	<b>Reserved</b>	--
B	R/W	<b>PCHCMD</b>	18.7.13
D	R/W	<b>TSI_AGENT</b>	--
E	R/W	<b>SMCTL3</b>	18.7.15
F	R/W	<b>SMCTL2</b>	18.7.15
10	R/W	<b>BYTE_ADDR</b>	
11	R/W	<b>BYTE_IDX_H</b>	
12	R/W	<b>BYTE_IDX_L</b>	
13	R/W	<b>Reserved</b>	
14	R/W	<b>Reserved</b>	

### 18.7.2 SMBus Data (SMDATA) – Bank 0

This 32 bits register is the data in and out register of SMBus data register. Before writing to SMDATA register, this register contains the input data, after writing to SMDATA register, this register contains the output data.

Offset: 0h

Type: R/W

Byte	3	2	1	0
Name	<b>SMFIFO3</b>	<b>SMFIFO2</b>	<b>SMFIFO1</b>	<b>SMFIFO0</b>
Default	00h	00h	00h	00h

Byte	Description
3	<b>SMFIFO3 (SMBus FIFO 3)</b> . This byte represents the high byte of the 32 bits SMBus data.
2	<b>SMFIFO2 (SMBus FIFO 2)</b> . This byte represents the second byte of the 32 bits SMBus data.
1	<b>SMFIFO1 (SMBus FIFO 1)</b> . This byte represents the first byte of the 32 bits SMBus data.
0	<b>SMFIFO0 (SMBus FIFO 0)</b> . This byte represents the low byte of the 32 bits SMBus data.

### 18.7.3 SMBus Write Data Size (SMWRSIZE) – Bank 0

Offset: 1h

Type: R/W

Bit	7	6	5	4	3	2	1	0
Name	<b>Reserved</b>			<b>SMWRSIZE</b>				
Default	0	0	0	0	0	0	0	0

Bit	Description
7-5	<b>Reserved.</b>
4-0	<b>SMWRSIZE (SMBus Write Byte Counter)</b> . This field sets the write byte counter, the max counter size is 32 bytes, and the minimal size is 1 bytes.

### 18.7.4 SMBus Command (SMCMD) – Bank 0

Offset: 2h

Type: R/W

Bit	7	6	5	4	3	2	1	0
NAME	<b>REV</b>				<b>SMBus CMD</b>			
Default	0	0	0	0	0	0	0	0

Bit	Description
7-4	Reserved.
3-0	<b>SMBCMD (SMBus Command).</b> This field sets SMBus Command: 0000 : Read Byte (Default) 0001 : Read Word 0010 : Read Block 0011 : Block Write and Read Process Call 0100 : Process Call 1000 : Write Byte 1001 : Write Word 1010 : Write Block

### 18.7.5 SMBus INDEX (SMIDX) – Bank 0

Offset: 3h

Type: R/W

Bit	7	6	5	4	3	2	1	0
Name	<b>SMCMD</b>							
Default	0	0	0	0	0	0	0	0

Bit	Description
7-0	<b>SMIDX (SMBus INDEX).</b> This field represents the index data of the SMBus.

### 18.7.6 SMBus Control (SMCTL) – Bank 0

Offset: 4h

Type: R/W

Bit	7	6	5	4	3	2	1	0
Name	<b>MMODE_S</b>	<b>S_RST</b>	<b>CRC8_EN</b>	<b>REFLASH_CLK</b>			<b>BYTE_EN</b>	<b>PCH_EN</b>
Default	0	0	0	0	0	0	0	0

Bit	Description
7	<b>MMODE_S (Manual Mode Set).</b> 0 : Disable. 1 : Enable.
6	<b>S_RST (Soft Reset SMBus).</b> 0 : Disable. 1 : Enable.

5	<b>CRC8_EN (CRC8 Enable).</b> 0 : CRC8 function is disable. 1 : CRC8 function is enable.
4-2	<b>REFRASH_CLK (Refrash Clock Select).</b> 000, 100 – 128ms 001, 101 – 256ms 010, 110 – 512ms 011, 111 – 64ms (1KHz)
1	<b>BYTE_EN (BYTE Enable).</b> 0 : BYTE function is disable. 1 : BYTE function is enable.
0	<b>PCH_EN (PCH Enable).</b> 0 : PCH function is disable. 1 : PCH function is enable.

**18.7.7 SMBus Address (SMADDR) – Bank 0**

Offset: 5h

Type: R/W

Bit	7	6	5	4	3	2	1	0
Name	<b>SMADDR</b>							<b>REV</b>
Default	0	0	0	0	0	0	0	0

Bit	Description
7-1	<b>SMADDR (SMBus Address).</b> AMD-TSI only supports 7-bit SMBus address.
0	<b>Reserved:</b> 0 : Write. If the protocol is write, the WR_SIZE can't be zero. (Default)

**18.7.8 ACB Control 2 (ACBCTRL2) – Bank 0**

Offset: 6h

Type: R/W

Bit	7	6	5	4	3	2	1	0
	<b>Reserved:</b>				<b>SCLFREQ</b>			
Default	0	0	0	0	0	1	1	1

Bit	Description
7-4	Reserved

3-0	<p><b>SCLFQ (SMBCLK Frequency).</b> This field defines the SMBCLK period (low time and high time). The clock low time and high time ate defined as follows:</p> <p>0000 : 382KHz                  0001 : 266KHz                  0010 : 204KHz                  0011 : 165KHz                  0100 : 139KHz                  0101 : 120KHz                  0110 : 105KHz                  0111 : 94KHz (Default)                  1000 : 85KHz                  1001 : 77KHz                  1010 : 71KHz                  1011 : 65KHz                  1100 : 61KHz                  1101 : 57KHz                  1110 : 53KHz                  1111 : 48KHz</p>
-----	--

**18.7.9 PCH Address (PCHADDR) – Bank 0**

Offset: 8h

Type: R/W

Bit	7	6	5	4	3	2	1	0
Name	PCHADDR							REV
Default	1	0	0	1	0	1	0	0

Bit	Description
7-1	<b>PCHADDR (PCH Address).</b> PCH supports 8-bit SMBus address. The default address is 94h. The last bit is read or write bit. It needs to set to "0".

**18.7.10SMBus Error Status (Error\_status) – Bank 0**

Offset: 9h

Type: RO/W1C

Bit	7	6	5	4	3	2	1	0
Name	REV	ADNACK	Timeout	Reserved	BER	NACK	Reserve	
Default	1	0	0	1	0	1	0	0

Bit	Description
7-6	<b>Reserved.</b>
5	<b>ADDR Non ACK.</b> This bit reflects SMBus occurred ADDRESS NON ACK in Manual mode..
4	<b>Timeout.</b> This bit reflects when SMBus occurs timeout.

3	Reserved.
2	<b>BER (Bus Error).</b> This bit reflects when a start or stop condition is detected during data transfer, or when an arbitration problem is detected.
1	<b>NACK (Negative acknowledge).</b> This bit is set by hardware when a transmission is not acknowledged on the ninth clock. While NACK is set SCL will be drive low and subsequent bus transactions are stalled until NACK is cleared.
0	Reserved.

### 18.7.11 PCH Command (PCHCMD) – Bank 0

Offset: bh

Type: R/W

Bit	7	6	5	4	3	2	1	0
Name	<b>PCHCMD</b>							
Default	0	1	0	0	0	0	0	0

Bit	Description
7-0	<b>PCHCMD (PCH Command).</b> This field represents the command data of the PCH. The default command is block read (40h).

### 18.7.12 TSI Agent Enable Register (TSI\_AGENT) – Bank

Offset: dh

Type: RO

Bit	7	6	5	4	3	2	1	0
Name	AG7	AG6	AG5	AG4	AG3	AG2	AG1	AG0
Default	0	0	0	0	0	0	0	0

Bit	Description
7	<b>TSI_AGENT7 Enable.</b> : This bit reflects AMD-TSI Agent enable. 0 : Diable
6	<b>TSI_AGENT6 Enable.</b> : This bit reflects AMD-TSI Agent enable. 0 : Diable
5	<b>TSI_AGENT5 Enable.</b> : This bit reflects AMD-TSI Agent enable. 0 : Diable
4	<b>TSI_AGENT4 Enable.</b> : This bit reflects AMD-TSI Agent enable. 0 : Diable

3	<b>TSI AGENT3 Enable.</b> : This bit reflects AMD-TSI Agent enable. 0 : Disable
2	<b>TSI AGENT2 Enable.</b> : This bit reflects AMD-TSI Agent enable. 0 : Disable
1	<b>TSI AGENT1 Enable.</b> : This bit reflects AMD-TSI Agent enable. 0 : Disable 1 : Full
0	<b>TSI AGENT0 Enable.</b> : This bit reflects AMD-TSI Agent enable. 0 : Disable 1 : Empty

### 18.7.13 SMBus Control 3 Register (SMCTL3) – Bank 0

Offset: eh

Type: RO

Bit	7	6	5	4	3	2	1	0
Name	Reserved				CRC_CHK	M_MODE	F_FULL	F_EMPT
Default	0	0	0	0	0	0	0	0

Bit	Description
7-4	Reserved
3	<b>CRC_CHK (CRC Check).</b> 0 : incorrect 1 : correct
2	<b>M_MODE (Manual Mode).</b> 0 : Non-active 1 : Active
1	<b>F_FULL (fifo_full).</b> : This bit reflects SMBus data fifo is full. 0 : Non-full 1 : Full
0	<b>F_EMPT (fifo empty).</b> : This bit reflects the SMBus data fifo is empty. 0 : Non-empty 1 : Empty

### 18.7.14 SMBus Control 2 Register (SMCTL2) – Bank 0

Offset: fh

Type: R/W

Bit	7	6	5	4	3	2	1	0
Name	Reserved		INT_LCH_E	Reserved		BYTE_SEL	BANKSEL	
Default	0	0	0	0	0	0	0	0



Bit	Description
7-6	<b>Reserved.</b>
5	<b>INT_LCH_E (Interrupt Latch Enable).</b> : This bit will latch the I2CSTA register. 0 : Disable. 1 : Enable.
2	<b>BYTE_SEL</b> :This field represents byte polling 8-bit/16bit select bits. 0: BYTE_TEMP is 16 bit data 1: BYTE_TEMP is 8 bit data
1-0	<b>BANKSEL (Bank Select).</b> 00 – Bank 0. 01 – Bank 1. 10 – Bank 2.

#### 18.7.15 BYTE ADDRESS (BYTE ADDR) – Bank 0

Offset: 10h

Type: R/W

Bit	7	6	5	4	3	2	1	0
Name	<b>BYTE_ADDRESS</b>							
Default	0	1	0	0	0	0	0	0

Bit	Description
7-0	<b>BYTE ADDRESS (BYTE ADDR).</b> This field represents the address data of the BYTE.

#### 18.7.16 BYTE INDEX\_H (BYTE\_IDX\_H) – Bank 0

Offset: 11h

Type: R/W

Bit	7	6	5	4	3	2	1	0
Name	<b>BYTE_IDX_H</b>							
Default	0	0	0	0	0	0	0	1

Bit	Description
7-0	<b>BYTE_IDX_H (High BYTE INDEX).</b> This field represents the high byte index of the Byte polling. The default command is byte read (01h).

**18.7.17 BYTE INDEX\_L (BYTE\_IDX\_L) – Bank 0**

Offset: 12h

Type: R/W

Bit	7	6	5	4	3	2	1	0
Name	BYTE_IDX_L							
Default	0	0	0	1	0	0	0	0

Bit	Description
7-0	<b>BYTE_IDX_L (LOW BYTE INDEX).</b> This field represents the low byte index of the Byte polling. The default command is byte read (10h).

The EC may read thermal information from IBX using the SMBus block read command. The IBX doesn't support byte-read or word-read SMBus commands. The read use a different address that the writes. The address must be different so that the IBX knows which target is intended, either the I2C target or the block read buffer.

The IBX and EC are set up by BIOS with the length of the read that is supported by the platform. The EC must always do reads of the lengths set up by BIOS. There is no way to change the length of the read after BIOS has set things up.

An EC that only wants the single highest temperature among MCH, and CPU could read one byte. A 2 byte read would provide both IBX and CPU/MCH package temperature. An EC that wanted each components temperature would do a 4 byte read. An EC that also wanted DIMM information would read 9 bytes. If an EC wanted to read the HOST STS status, it must read 19 bytes. An EC can also read the energy data provided by the CPU by reading 12 bytes.

新唐科技 NUVOTON  
INTELLECTUAL PROPERTY

## 19. CONFIGURATION REGISTER

### 19.1 Chip (Global) Control Register

Default Value of Global Control Register:

Register	Default	Register	Default	Register	Default
CR 10h	FFh	CR 21h	33h (ID_L)	CR 2Bh	00h
CR 11h	FFh	CR 22h	FFh	CR 2Ch	81h
CR 13h	00h	CR 24h	64h	CR 2Dh	00h
CR 14h	00h	CR 25h	00h	CR 2Fh	00sssssb
CR 1Ah	F0h	CR 26h	0s000000b		
CR 1Bh	78h	CR 27h	00h		
CR 1Ch	00h	CR 28h	00h		
CR 20h	C3h (ID_H)	CR 2Ah	C0h		

Note. The value of “s” means hardware strapping result: strapping high will report 1; strapping low will report 0. In addition, BIOS can write the value of strapping result after hardware strapping.

Reserved Registers of Global Control Register:

Register	Default	Register	Default
CR 02h	00h	CR 1Dh	00h
CR 16h	FFh	CR 1Eh	FFh
CR 17h	FFh	CR 1Fh	FFh
CR 18h	FFh	CR 23h	00h
CR 19h	FFh	CR 2Eh	00h

Note. All reserved registers must keep default value.

Note. Before accessing CR10, CR11, CR13 and CR14, CR26 [Bit4] must be set to logic 1.

#### CR 02h. Reserved. Software Reset Register

Attribute: Write Only

Power Well: VCC

Reset by: LRESET#

Default : 00h

#### CR 07h. Logical Device Selection

Attribute: Read/Write

Power Well: VCC

Reset by: LRESET#

Default : 00h

BIT	READ / WRITE	DESCRIPTION
7-0	R / W	Logical Device Number.

**CR 10h. Device IRQ TYPE Selection**

Location: Address 10h

Attribute: Read/Write

Power Well: VCC

Reset by: LRESET#

Default : FFh

Size: 8 bits

BIT	READ / WRITE	DESCRIPTION
7~6	Reserved.	
5	R / W	UARTA IRQ TYPE SELECT (note1.) 0: Edge. 1: Level.
4	Reserved.	
3	R / W	KBC IRQ TYPE SELECT (note1.) 0: Edge. 1: Level.
2	R / W	MOUSE IRQ TYPE SELECT (note1.) 0: Edge. 1: Level.
1	R / W	CIR IRQ TYPE SELECT (note1.) 0: Edge. 1: Level.
0	R / W	CIRWAKUP IRQ TYPE SELECT (note1.) 0: Edge. 1: Level.

**Note1: Before accessing CR10, CR11, CR13 and CR14, CR26 [Bit4] must be set to logic 1.**

**CR 11h. Device IRQ TYPE Selection**

Location: Address 11h

Attribute: Read/Write

Power Well: VCC

Reset by: LRESET#

Default : FFh

Size: 8 bits

BIT	READ / WRITE	DESCRIPTION
7	R / W	HM IRQ TYPE SELECT (note1.) 0: Edge. 1: Level.
6	R / W	WDTO IRQ TYPE SELECT (note1.) 0: Edge. 1: Level.
5-2	Reserved.	

BIT	READ / WRITE	DESCRIPTION
1	R / W	SMI IRQ TYPE SELECT (note1.) 0: Edge. 1: Level.
0	Reserved.	

**Note1:** Before accessing CR10, CR11, CR13 and CR14, CR26 [Bit4] must be set to logic 1.

**CR 13h. Device IRQ Polarity Selection**

Location: Address 13h

Attribute: Read/Write

Power Well: VCC

Reset by: LRESET#

Default : 00h

Size: 8 bits

BIT	READ / WRITE	DESCRIPTION
7-0	R / W	IRQ Channel<15:8> Polarity (note1.) 0: High. 1: Low.

**Note1:** Before accessing CR10, CR11, CR13 and CR14, CR26 [Bit4] must be set to logic 1.

**CR 14h. Device IRQ Polarity Selection**

Location: Address 14h

Attribute: Read/Write

Power Well: VCC

Reset by: LRESET#

Default : 00h

Size: 8 bits

BIT	READ / WRITE	DESCRIPTION
7-0	R / W	IRQ Channel<7:0> Polarity (note1.) 0: High. 1: Low.

**Note1:** Before accessing CR10, CR11, CR13 and CR14, CR26 [Bit4] must be set to logic 1.

**CR 1Ah. Multi Function Selection**

Location: Address 1Ah

Attribute: Read/Write

Power Well: VSB

Reset by: RSMRST#

Default : F0h

Size: 8 bits

BIT	READ / WRITE	DESCRIPTION
-----	--------------	-------------

BIT	READ / WRITE	DESCRIPTION		
7~4	Reserved.			
3-2	R / W	Pin23 function selection		
		TEST MODE1 (Strapping pin18)	CR1A [Bit3-2]	Pin23
		1	xx	Reserved
		0	00	MSCL
		0	01	SCL
		0	10	GP41
0	11	MSCL		
1-0	Reserved.			

**CR 1Bh. Multi Function Selection**

Location: Address 1Bh

Attribute: Read/Write

Power Well: VSB

Reset by: RSMRST#

Default : 78h

Size: 8 bits

BIT	READ / WRITE	DESCRIPTION		
7~5	Reserved.			
4	R / W	Pin46 function selection		
		CR1B [Bit4]	CR27 [Bit3]	Pin46
		1	x	CIRRX
		0	0	GP24
0	1	IRRX1		
3	Reserved.			
2-1	R / W	Pin22 function selection		
		TEST MODE1 (Strapping pin18)	CR1B [Bit2-1]	Pin22
		1	x	Reserved
		0	00	MSDA
		0	01	SDA
		0	10	BEEP
0	11	GP42		
0	Reserved.			

**CR 1Ch. Multi Function Selection**

Location: Address 1Ch

Attribute: Read/Write

Power Well: VSB

Reset by: LRESET#  
 Default : 00h  
 Size: 8 bits

BIT	READ / WRITE	DESCRIPTION
7-0	Reserved.	

**CR 20h. Chip ID ( High Byte )**

Attribute: Read Only  
 Power Well: VCC  
 Reset by: None  
 Default : C3h

BIT	READ / WRITE	DESCRIPTION
7-0	Read Only	Chip ID number = C3h (high byte).

**CR 21h. Chip ID ( Low Byte )**

Attribute: Read Only  
 Power Well: VCC  
 Reset by: None  
 Default : 33h

BIT	READ / WRITE	DESCRIPTION
7-0	Read Only	Chip ID number = 33h (low byte)

**CR 22h. Device Power Down**

Location: Address 22h  
 Attribute: Read/Write  
 Power Well: VCC  
 Reset by: LRESET#  
 Default : FFh  
 Size: 8 bits

BIT	READ / WRITE	DESCRIPTION
7-5	Reserved.	
4	R / W	UARTA Power Down. 0: Powered down. 1: Not powered down.
3-2	Reserved.	
1	R / W	IPD (Immediate Power Down). When set to 0, the whole chip is put into power-down mode immediately.
0	Reserved.	

**CR 24h. Global Option**

Location: Address 24h  
 Attribute: Read/Write  
 Power Well: VCC  
 Reset by: LRESET#  
 Default : 64h

Size: 8 bits

BIT	READ / WRITE	DESCRIPTION
7-5	Reserved.	
4	R / W	Select output type of SYSFANOUT =0 SYSFANOUT is Open-drain. (Default) =1 SYSFANOUT is Push-pull.
3	R / W	Select output type of CPUFANOUT =0 CPUFANOUT is Open-drain. (Default) =1 CPUFANOUT is Push-pull.
2-1	Reserved.	
0	R / W	PNPCVS => = 0 The compatible PNP address-select registers have default values. = 1 The compatible PNP address-select registers have no default values.

**CR 25h. Interface Tri-state Enable**

Location: Address 25h

Attribute: Read/Write

Power Well: VCC

Reset by: LRESET#

Default : 00h

Size: 8 bits

BIT	READ / WRITE	DESCRIPTION
7~3	Reserved.	
2	R / W	UARTATRI
1~0	Reserved.	

**CR 26h. Global Option** s: value by strapping

Location: Address 26h

Attribute: Read/Write

Power Well: VCC

Reset by: LRESET#

Default : 0s000000b

Size: 8 bits

BIT	READ / WRITE	DESCRIPTION
7	Reserved.	
6	R / W	HEFRAS => = 0 Write 87h to location 2E twice. = 1 Write 87h to location 4E twice. The corresponding power-on strapping pin is RTSA# (Pin 31).
5	R / W	LOCKREG => = 0 Enable R/W configuration registers. = 1 Disable R/W configuration registers.



BIT	READ / WRITE	DESCRIPTION
4~2	Reserved.	
1	R / W	DSUALGRQ => = 0 Enable UART A legacy mode for IRQ selection. Then HCR register (base address + 4) bit 3 is effective when selecting IRQ. = 1 Disable UART A legacy mode for IRQ selection. Then HCR register (base address + 4) bit 3 is not effective when selecting IRQ.
0	R / W	DSUBLGRQ => = 0 Enable IR legacy mode for IRQ selection. Then HCR register (base address + 4) bit 3 is effective when selecting IRQ. = 1 Disable IR legacy mode for IRQ selection. Then HCR register (base address + 4) bit 3 is not effective when selecting IRQ.

**CR 27h. Global Option**

Location: Address 27h

Attribute: Read/Write

Power Well: VSB

Reset by: RSMRST#

Default : 00h

Size: 8 bits

BIT	READ / WRITE	DESCRIPTION																				
7	R / W	Pin43 function selection																				
		<table border="1"> <thead> <tr> <th>CR27 [Bit7]</th> <th>AMDPWR_EN (Strapping pin47)</th> <th>CR2F [Bit3]</th> <th>Pin43</th> </tr> </thead> <tbody> <tr> <td>1</td> <td>x</td> <td>x</td> <td>GP75</td> </tr> <tr> <td>0</td> <td>1</td> <td>x</td> <td>Reserved</td> </tr> <tr> <td>0</td> <td>x</td> <td>1</td> <td>Reserved</td> </tr> <tr> <td>0</td> <td>0</td> <td>0</td> <td>SLP_SUS_FET</td> </tr> </tbody> </table>	CR27 [Bit7]	AMDPWR_EN (Strapping pin47)	CR2F [Bit3]	Pin43	1	x	x	GP75	0	1	x	Reserved	0	x	1	Reserved	0	0	0	SLP_SUS_FET
		CR27 [Bit7]	AMDPWR_EN (Strapping pin47)	CR2F [Bit3]	Pin43																	
		1	x	x	GP75																	
		0	1	x	Reserved																	
		0	x	1	Reserved																	
		0	0	0	SLP_SUS_FET																	
		Pin44 function selection																				
		<table border="1"> <thead> <tr> <th>CR27 [Bit7]</th> <th>AMDPWR_EN (Strapping pin47)</th> <th>CR2F [Bit3]</th> <th>Pin44</th> </tr> </thead> <tbody> <tr> <td>1</td> <td>x</td> <td>x</td> <td>GP74</td> </tr> <tr> <td>0</td> <td>1</td> <td>x</td> <td>Reserved</td> </tr> <tr> <td>0</td> <td>x</td> <td>1</td> <td>Reserved</td> </tr> <tr> <td>0</td> <td>0</td> <td>0</td> <td>SLP_SUS#</td> </tr> </tbody> </table>	CR27 [Bit7]	AMDPWR_EN (Strapping pin47)	CR2F [Bit3]	Pin44	1	x	x	GP74	0	1	x	Reserved	0	x	1	Reserved	0	0	0	SLP_SUS#
		CR27 [Bit7]	AMDPWR_EN (Strapping pin47)	CR2F [Bit3]	Pin44																	
		1	x	x	GP74																	
		0	1	x	Reserved																	
		0	x	1	Reserved																	
		0	0	0	SLP_SUS#																	

BIT	READ / WRITE	DESCRIPTION		
6	R / W	Pin41 function selection		
		CR27 [Bit6]	AMDPWR_EN (Strapping pin47)	Pin41
		1	x	GP77
		0	0	Reserved
		0	1	VLDT_EN
		Pin42 function selection		
		CR27 [Bit6]	AMDPWR_EN (Strapping pin47)	Pin42
		1	x	GP76
		0	0	Reserved
		0	1	VCORE_EN
5~4	Reserved.			
3	R / W	Pin46 function selection		
		CR1B [Bit4]	CR27 [Bit3]	Pin46
		1	x	CIRRX (Default)
		0	0	GP24
		0	1	IRRX1
		Pin47 function selection		
		CR2A [Bit3]	CR27 [Bit3]	Pin47
		1	x	CIRTX1
		0	0	GP25 (Default)
		0	1	IRTX1
2	Reserved.			
1	R / W	LV_DETECT_L 0: AMD power sequence detect level and time delay 1: AMD power sequence non detect level but time delay		
0	Reserved.			

**CR 28h. Global Option**

Location: Address 28h

Attribute: Read/Write

Power Well: VCC

Reset by: LRESET#

Default : 00h

Size: 8 bits

BIT	READ / WRITE	DESCRIPTION
7-0	Reserved.	

**CR 2Ah. Multi Function Selection**

Location: Address 2Ah  
 Attribute: Read/Write  
 Power Well: VSB  
 Reset by: RSMRST#, GP2X\_MRST(Bit0)  
 Default : C0h  
 Size: 8 bits

BIT	READ / WRITE	DESCRIPTION												
7	R / W	<b>Pin13 ~ Pin20 function selection</b> 0: COM A function. 1: GPIO8 function. (Default) (Pin13, Pin14, Pin15, Pin16, Pin17, Pin18, Pin19, Pin20)												
6-4	Reserved.													
3	R/W	Pin47 function selection												
		<table border="1"> <thead> <tr> <th>CR2A [Bit3]</th> <th>CR27 [Bit3]</th> <th>Pin47</th> </tr> </thead> <tbody> <tr> <td>1</td> <td>x</td> <td>CIRTX1</td> </tr> <tr> <td>0</td> <td>0</td> <td>GP25</td> </tr> <tr> <td>0</td> <td>1</td> <td>IRTX1</td> </tr> </tbody> </table>	CR2A [Bit3]	CR27 [Bit3]	Pin47	1	x	CIRTX1	0	0	GP25	0	1	IRTX1
		CR2A [Bit3]	CR27 [Bit3]	Pin47										
		1	x	CIRTX1										
0	0	GP25												
0	1	IRTX1												
Enable Over Temperature shutdown Protection (OVT#) = 0 Thermal shutdown function is disabled. (Default) = 1 Enable thermal shutdown function. (If set this bit to 1, the relative registers of OVT# event are: Bank0, CR18 ,Bit6 → SYSTIN OVT# Bank0, CR4C ,Bit4 → AUXTIN OVT# Bank0, CR4C ,Bit3 → CPUTIN OVT# If current temperature exceeds high-limit setting, OVT# event will be triggered and PSON# will inactive immediately. )														
1	R / W	Pin24 function selection												
		<table border="1"> <thead> <tr> <th>CR2A [Bit1]</th> <th>Pin24</th> </tr> </thead> <tbody> <tr> <td>0</td> <td>MCLK</td> </tr> <tr> <td>1</td> <td>GP23</td> </tr> </tbody> </table>	CR2A [Bit1]	Pin24	0	MCLK	1	GP23						
		CR2A [Bit1]	Pin24											
		0	MCLK											
		1	GP23											
		Pin25 function selection												
<table border="1"> <thead> <tr> <th>CR2A [Bit1]</th> <th>Pin25</th> </tr> </thead> <tbody> <tr> <td>0</td> <td>MDAT</td> </tr> <tr> <td>1</td> <td>GP22</td> </tr> </tbody> </table>	CR2A [Bit1]	Pin25	0	MDAT	1	GP22								
CR2A [Bit1]	Pin25													
0	MDAT													
1	GP22													
Pin26 function selection														
<table border="1"> <thead> <tr> <th>CR2A [Bit0]</th> <th>Pin26</th> </tr> </thead> <tbody> <tr> <td>0</td> <td>KCLK</td> </tr> <tr> <td>1</td> <td>GP21</td> </tr> </tbody> </table>	CR2A [Bit0]	Pin26	0	KCLK	1	GP21								
CR2A [Bit0]	Pin26													
0	KCLK													
1	GP21													
0	R / W	Pin27 function selection												
		<table border="1"> <thead> <tr> <th>CR2A [Bit0]</th> <th>Pin27</th> </tr> </thead> <tbody> <tr> <td>0</td> <td>KDAT</td> </tr> <tr> <td>1</td> <td>GP20</td> </tr> </tbody> </table>	CR2A [Bit0]	Pin27	0	KDAT	1	GP20						
		CR2A [Bit0]	Pin27											
		0	KDAT											
1	GP20													

**CR 2Bh. Multi Function Selection**

Location: Address 2Bh

Attribute: Read/Write

Power Well: VSB

Reset by: RSMRST#

Default : 00h

Size: 8 bits

BIT	READ / WRITE	DESCRIPTION	
7	Reserved.		
6	R / W	Pin35 function selection	
		CR2B [Bit6]	Pin35
		0	RSTOUT1#
		1	GP36
5	R / W	Pin36 function selection	
		CR2B [Bit5]	Pin36
		0	RSTOUT0#
		1	GP35
4	R / W	Pin37 function selection	
		CR2B [Bit4]	Pin37
		0	ATXPGD
		1	GP34
3	R / W	Pin38 function selection	
		CR2B [Bit3]	Pin38
		0	CPUPWRGD
		1	GP33
2	R / W	Pin39 function selection	
		CR2B [Bit2]	Pin39
		0	PWROK
		1	GP32
1	Reserved.		
0	R / W	Pin40 function selection	
		CR2B [Bit0]	Pin40
		0	SLP_S5#
		1	GP30

**CR 2Ch. Multi Function Selection**

Location: Address 2Ch

Attribute: Read/Write

Power Well: VSB

Reset by: RSMRST#  
 Default : 81h  
 Size: 8 bits

BIT	READ / WRITE	DESCRIPTION	
7~1	Reserved.		
0	R / W	Pin 58 function selection	
		CR2C [Bit5]	Pin58
		0	GPA0
		1	TSIC
		Pin 60 function selection	
		CR2C [Bit5]	Pin60
0	PECI		
1	TSID		

**CR 2Dh. Multi Function Selection**

Location: Address 2Dh  
 Attribute: Read/Write  
 Power Well: VSB  
 Reset by: RSMRST#, GP5X\_MRST(Bit4-1)  
 Default : 00h  
 Size: 8 bits

BIT	READ / WRITE	DESCRIPTION	
7	Reserved.		
6	R / W	Pin49 function Selection	
		CR2D [Bit6]	Pin49
		0	RSMRST#
1	GP91		
5	R / W	Reserved.	
4	R / W	Pin28 function Selection	
		CR2D [Bit4]	Pin28
		0	PSOUT#
1	GP54		
3	R / W	Pin29 function Selection	
		CR2D [Bit3]	Pin29
		0	PSIN#
1	GP53		

BIT	READ / WRITE	DESCRIPTION		
2	R / W	Pin30 function Selection		
		CR2D [Bit2]	AMDPWR_EN	Pin30
		1	x	GP52
		0	0	PSON#
		0	1	AMD_PSON#
1	R / W	Pin31 function Selection		
		CR2D [Bit3]	Pin31	
		0	SLP_S3#	
		1	GP51	
0	Reserved.			

**CR 2Fh. Strapping Function Result**

Location: Address 2Fh

Attribute: Read/Write

Power Well: VSB

Reset by: RSMRST#(Bit5-2), PWROK(Bit1-0)

Default : by 00ss\_ssss

Size: 8 bits

BIT	READ / WRITE	DESCRIPTION
7-6	Reserved.	
5	R/W	AMDPWR_EN Strapping result reading
4-2	Reserved.	
1	R / W	TEST MODE1 Strapping result reading
0	R / W	24M_48M_SEL Strapping result reading

Note . All Strapping results can be programming by LPC Interface. There are three conditions below:

- 3) VSB Strapping result can be programming by LPC, and reset by RSMRST#
- 4) VCC Strapping result can be programming by LPC, and reset by PWROK
- 5) LRESET Strapping (2E\_4E\_SEL) : No change

## 19.2 Logical Device 2 (UART A)

### CR 30h.

Attribute: Read/Write

Power Well: VCC

Reset by: LRESET#

Default : 01h

BIT	READ / WRITE	DESCRIPTION
7-1	Reserved.	
0	R / W	0: The logical device is inactive. 1: The logical device is active.

### CR 60h, 61h.

Attribute: Read/Write

Power Well: VCC

Reset by: LRESET#

Default : 03h, F8h

BIT	READ / WRITE	DESCRIPTION
7-0	R / W	These two registers select Serial Port 1 I/O base address <100h: FF8h> on 8 bytes boundary.

### CR 70h.

Attribute: Read/Write

Power Well: VCC

Reset by: LRESET#

Default : 04h

BIT	READ / WRITE	DESCRIPTION
7-4	Reserved.	
3-0	R / W	These bits select IRQ resource for Serial Port 1.

### CR F0h.

Attribute: Read/Write

Power Well: VCC

Reset by: LRESET#

Default : 00h

BIT	READ / WRITE	DESCRIPTION
7	R / W	0: Delay RXCLK for 5 ns for LG issue. 1: No delay of 5 ns for RXCLK.
6	R / W	0: IRQ is the level mode. 1: IRQ is the pulse mode for IRQ sharing function.
5	R / W	0: Using the original RX FIFO Error Indication signal (USR bit 7). 1: Using new RX FIFO Error Indication signal to solve some issues.

BIT	READ / WRITE	DESCRIPTION
4-2	Reserved.	
1-0	R / W	<b>Bits</b> <b>1 0</b> 0 0: UART A clock source is 1.8462 MHz (24 MHz / 13). 0 1: UART A clock source is 2 MHz (24 MHz / 12). 1 0: UART A clock source is 24 MHz (24 MHz / 1). 1 1: UART A clock source is 14.769 MHz (24 MHz / 1.625).

**CR F2h.**

Attribute: Read/Write

Power Well: VCC

Reset by: LRESET#

Default : 00h

BIT	READ / WRITE	DESCRIPTION
7	R / W	<b>UARTA_RS485_enable</b> 0: Disable RS485 auto flow control function for UARTA 1: Enable RS485 auto flow control function for UARTA
6	R / W	<b>UARTA_RS485_inv_sel</b> (Available only when CRF2_Bit7=1) 0: Do not invert the behavior of RTSA# pin for RS485 auto flow control. 1: Invert the behavior of RTSA# pin for RS485 auto flow control.
5-0	Reserved.	

新唐科技 NUVOTON  
 INTELLECTUAL PROPERTY



### 19.3 Logical Device 3 (IR)

#### CR 30h.

Location: Address 30h

Attribute: Read/Write

Power Well: VCC

Reset by: LRESET#

Default : 01h

Size: 8 bits

BIT	READ / WRITE	DESCRIPTION
7~1	Reserved.	
0	R / W	0: The logical device is inactive. 1: The logical device is active.

#### CR 60h, 61h.

Location: Address 60h, 61h

Attribute: Read/Write

Power Well: VCC

Reset by: LRESET#

Default : 02h, F8h

Size: 16 bits

BIT	READ / WRITE	DESCRIPTION
7~0	R / W	These two registers select IR I/O base address <100h: FF8h> on eight-byte boundary.

#### CR 70h.

Location: Address 70h

Attribute: Read/Write

Power Well: VCC

Reset by: LRESET#

Default : 03h

Size: 8 bits

BIT	READ / WRITE	DESCRIPTION
7~4	Reserved.	
3~0	R / W	These bits select IRQ resource for IR.

#### CR F0h.

Location: Address F0h

Attribute: Read/Write

Power Well: VCC

Reset by: LRESET#

Default : 00h

Size: 8 bits

BIT	READ / WRITE	DESCRIPTION
7	R / W	0: Delay RXCLK for 5 ns for LG issue. 1: No delay of 5 ns for RXCLK.
6	R / W	0: IRQ is the level mode. 1: IRQ is the pulse mode for IRQ sharing function.
5	R / W	0: Using the original RX FIFO Error Indication signal (USR bit 7). 1: Using new RX FIFO Error Indication signal to solve some issues.
4~2	Reserved.	
1~0	R / W	<b>Bits</b> <b>1 0</b> 0 0: IR clock source is 1.8462 MHz (24 MHz / 13). 0 1: IR clock source is 2 MHz (24 MHz / 12). 1 0: IR clock source is 24 MHz (24 MHz / 1). 1 1: IR clock source is 14.769 MHz (24 MHz / 1.625).

**CR F1h.**

Location: Address F1h

Attribute: Read/Write

Power Well: VCC

Reset by: LRESET#

Default : 00h

Size: 8 bits

BIT	READ / WRITE	DESCRIPTION
7	Reserved.	
6	R / W	IRLOCSEL => IR I/O pins' location selection. 0: reserved. 1: Through IRRX / IRTX.
5~3	R / W	IRMODE => IR function mode selection. See the table below.
2	R / W	IR half / full duplex function selection. 0: IR function is Full Duplex. 1: IR function is Half Duplex.
1	R / W	0: IRTX pin of IR function in normal condition. 1: Inverse IRTX pin of IR function.
0	R / W	0: IRRX pin of IR function in normal condition. 1: Inverse IRRX pin of IR function.

IR MODE	IR FUNCTION	IRTX	IRRX
00X	Disable	Tri-state	High
010*	IrDA	Active pulse 1.6 μS	Demodulation into SINB/IRRX
011*	IrDA	Active pulse 3/16 bit time	Demodulation into SINB/IRRX

IR MODE	IR FUNCTION	IRTX	IRRX
100	ASK-IR	Inverting IRTX/SOUTB pin	Routed to SINB/IRRX
101	ASK-IR	Inverting IRTX/SOUTB & 500 KHZ clock	Routed to SINB/IRRX
110	ASK-IR	Inverting IRTX/SOUTB	Demodulation into SINB/IRRX
111*	ASK-IR	Inverting IRTX/SOUTB & 500 KHZ clock	Demodulation into SINB/IRRX

**Note:** The notation is normal mode in the IR function.

**CR F2h.**

Location: Address F2h

Attribute: Read/Write

Power Well: VCC

Reset by: LRESET#

Default : 00h

Size: 8 bits

BIT	READ / WRITE	DESCRIPTION
7~0		Reserved.

### 19.4 Logical Device 5 (Keyboard Controller)

#### CR 30h.

Location: Address 30h

Attribute: Read/Write

Power Well: VCC

Reset by: LRESET#

Default : 00h

Size: 8 bits

BIT	READ / WRITE	DESCRIPTION
7~1	Reserved.	
0	R / W	0: The logical device is inactive. 1: The logical device is active.

#### CR 60h, 61h.

Location: Address 60h, 61h

Attribute: Read/Write

Power Well: VCC

Reset by: LRESET#

Default : 00h, 00h

Size: 16 bits

BIT	READ / WRITE	DESCRIPTION
7~0	R / W	These two registers select the first KBC I/O base address <100h: FFFh> on 1-byte boundary.

#### CR 62h, 63h.

Location: Address 62h, 63h

Attribute: Read/Write

Power Well: VCC

Reset by: LRESET#

Default : 00h, 00h

Size: 16 bits

BIT	READ / WRITE	DESCRIPTION
7~0	R / W	These two registers select the second KBC I/O base address <100h: FFFh> on 1 byte boundary.

#### CR 70h.

Location: Address 70h

Attribute: Read/Write

Power Well: VCC

Reset by: LRESET#

Default : 00h

Size: 8 bits

BIT	READ / WRITE	DESCRIPTION
-----	--------------	-------------

BIT	READ / WRITE	DESCRIPTION
7~4	Reserved.	
3~0	R / W	These bits select IRQ resource for KINT. (Keyboard interrupt)

**CR 72h.**

Location: Address 72h

Attribute: Read/Write

Power Well: VCC

Reset by: LRESET#

Default : 00h

Size: 8 bits

BIT	READ / WRITE	DESCRIPTION
7~4	Reserved.	
3~0	R / W	These bits select IRQ resource for MINT. (PS/2 Mouse interrupt)

**CR F0h.**

Location: Address F0h

Attribute: Read/Write

Power Well: VCC

Reset by: LRESET#

Default : 83h

Size: 8 bits

BIT	READ / WRITE	DESCRIPTION
7~6	R / W	KBC clock rate selection <b>Bits</b> <b>7 6</b> 0 0: Reserved 0 1: Reserved 1 0: 12MHz 1 1: Reserved
5~3	Reserved.	
2	R / W	0: Port 92 disabled. 1: Port 92 enabled.
1	R / W	0: Gate A20 software control. 1: Gate A20 hardware speed up.
0	R / W	0: KBRST# software control. 1: KBRST# hardware speed up.

### 19.5 Logical Device 6 (CIR)

#### CR 30h.

Location: Address 30h

Attribute: Read/Write

Power Well: VCC

Reset by: LRESET#

Default : 00h

Size: 8 bits

BIT	READ / WRITE	DESCRIPTION
7~1	Reserved.	
0	R / W	0: CIR Interface is inactive. 1: CIR Interface is active.

#### CR 60h, 61h.

Location: Address 60h, 61h

Attribute: Read/Write

Power Well: VCC

Reset by: LRESET#

Default : 00h, 00h

Size: 16 bits

BIT	READ / WRITE	DESCRIPTION
7~0	R / W	These two registers select CIR Interface I/O base address <100h: FF8h> on 1 byte boundary.

#### CR 70h.

Location: Address 70h

Attribute: Read/Write

Power Well: VCC

Reset by: LRESET#

Default : 00h

Size: 8 bits

BIT	READ / WRITE	DESCRIPTION
7~4	Reserved.	
3~0	R / W	These bits select IRQ resource for CIR.

#### CR F0h.

Location: Address F0h

Attribute: Read/Write

Power Well: VCC

Reset by: LRESET#

Default : 08h

Size: 8 bits

BIT	READ / WRITE	DESCRIPTION
-----	--------------	-------------

BIT	READ / WRITE	DESCRIPTION
7-4	Reserved.	
3	R/W	CIR wide band filter select 0: Low-pass filter 1: Band-pass filter
2-1	R/W	Timeout margin selection of CIR wide band band-pass filter 00: 200% recording carrier period 01: 100% recording carrier period 10: 50% recording carrier period 11: 25% recording carrier period
0	R/W	Carrier recording mode CIR wide band band-pass filter 0: Second carrier 1: Every carrier

**CR F1h.**

Location: Address F1h  
 Attribute: Read/Write  
 Power Well: VCC  
 Reset by: LRESET#  
 Default : 09h  
 Size: 8 bits

BIT	READ / WRITE	DESCRIPTION
7-6	R / W	Reserved.
5-0	R / W	Highest input period of CIR wide band band-pass filter (unit : us)

**CR F2h.**

Location: Address F2h  
 Attribute: Read/Write  
 Power Well: VCC  
 Reset by: LRESET#  
 Default : 32h  
 Size: 8 bits

BIT	READ / WRITE	DESCRIPTION
7-6	R / W	Reserved.
5-0	R / W	Lowest input period of CIR wide band band-pass filter (unit : us)

**CR F3h.**

Location: Address F3h  
 Attribute: Read/Write  
 Power Well: VCC  
 Reset by: LRESET#  
 Default : 00h  
 Size: 8 bits

BIT	READ / WRITE	DESCRIPTION
7-6	R / W	Reserved.
5-0	R / W	Recording carrier period of CIR wide band band-pass filter (unit : us)

新唐科技 NUVOTON  
INTELLECTUAL PROPERTY

新唐科技 NUVOTON  
INTELLECTUAL PROPERTY



**19.6 Logical Device 7 (GPIO7, GPIO8, GPIO9)**

**CR 30h.**

Location: Address 30h

Attribute: Read/Write

Power Well: VSB

Reset by: RSMRST#

Default : 03h

Size: 8 bits

BIT	READ / WRITE	DESCRIPTION	
7-2	Reserved.		
1	R / W	0: GPIO9 is inactive.	1: GPIO9 is active.
0	R / W	0: GPIO8 is inactive.	1: GPIO8 is active.

**CR E0h. GPIO7 I/O Register**

Location: Address E0h

Attribute: Read/Write

Power Well: VSB

Reset by: GP7X\_MRST

Default : FFh

Size: 8 bits

BIT	READ / WRITE	DESCRIPTION
7~0	R / W	GPIO7 I/O register 0: The respective GPIO7 PIN is programmed as an output port 1: The respective GPIO7 PIN is programmed as an input port.

**CR E1h. GPIO7 Data Register**

Location: Address E1h

Attribute: Read/Write

Power Well: VSB

Reset by: GP7X\_MRST

Default : 00h

Size: 8 bits

BIT	READ / WRITE	DESCRIPTION
7~0	R / W	GPIO7 Data register For output ports, the respective bits can be read/written and produced to pins.
	Read Only	For input ports, the respective bits can be read only from pins. Write accesses will be ignored.

**CR E2h. GPIO7 Inversion Register**

Location: Address E2h

Attribute: Read/Write

Power Well: VSB

Reset by: GP7X\_MRST  
 Default : 00h  
 Size: 8 bits

BIT	READ / WRITE	DESCRIPTION
7~0	R / W	GPIO7 Inversion register 0: The respective bit and the port value are the same. 1: The respective bit and the port value are inverted. (Both Input & Output ports)

**CR E3h. GPIO7 Status Register**

Location: Address E3h  
 Attribute: Read Only  
 Power Well: VSB  
 Reset by: GP7X\_MRST  
 Default : 00h  
 Size: 8 bits

BIT	READ / WRITE	DESCRIPTION
7~0	Read Only Read-Clear	GPIO7 Event Status Bit 7-0 corresponds to GP77-GP70, respectively. 0 : No active edge (rising/falling) has been detected 1 : An active edge (rising/falling) has been detected Read the status bit clears it to 0.

**CR E4h. GPIO8 I/O Register**

Location: Address E4h  
 Attribute: Read/Write  
 Power Well: VSB  
 Reset by: GP8X\_MRST  
 Default : Efh  
 Size: 8 bits

BIT	READ / WRITE	DESCRIPTION
7~0	R / W	GPIO8 I/O register 0: The respective GPIO8 PIN is programmed as an output port 1: The respective GPIO8 PIN is programmed as an input port.

**CR E5h. GPIO8 Data Register**

Location: Address E5h  
 Attribute: Read/Write  
 Power Well: VSB  
 Reset by: GP8X\_MRST  
 Default : 00h  
 Size: 8 bits

BIT	READ / WRITE	DESCRIPTION
-----	--------------	-------------

BIT	READ / WRITE	DESCRIPTION
7~0	R / W	GPIO8 Data register For output ports, the respective bits can be read/written and produced to pins.
	Read Only	For input ports, the respective bits can be read only from pins. Write accesses will be ignored.

**CR E6h. GPIO8 Inversion Register**

Location: Address E6h

Attribute: Read/Write

Power Well: VSB

Reset by: GP8X\_MRST

Default : 00h

Size: 8 bits

BIT	READ / WRITE	DESCRIPTION
7~0	R / W	GPIO8 Inversion register 0: The respective bit and the port value are the same. 1: The respective bit and the port value are inverted. (Both Input & Output ports)

**CR E7h. GPIO8 Status Register**

Location: Address E7h

Attribute: Read Only

Power Well: VSB

Reset by: GP8X\_MRST

Default : 00h

Size: 8 bits

BIT	READ / WRITE	DESCRIPTION
7~0	Read Only Read-Clear	GPIO8 Event Status Bit 7-0 corresponds to GP87-GP80, respectively. 0 : No active edge (rising/falling) has been detected 1 : An active edge (rising/falling) has been detected Read the status bit clears it to 0.

**CR E8h. GPIO9 I/O Register**

Location: Address E8h

Attribute: Read/Write

Power Well: VSB

Reset by: GP9X\_MRST

Default : FFh

Size: 8 bits

BIT	READ / WRITE	DESCRIPTION
-----	--------------	-------------

BIT	READ / WRITE	DESCRIPTION
7~0	R / W	GPIO9 I/O register 0: The respective GPIO9 PIN is programmed as an output port 1: The respective GPIO9 PIN is programmed as an input port.

**CR E9h. GPIO9 Data Register**

Location: Address E9h

Attribute: Read/Write

Power Well: VSB

Reset by: GP9X\_MRST

Default : 00h

Size: 8 bits

BIT	READ / WRITE	DESCRIPTION
7~0	R / W	GPIO9 Data register For output ports, the respective bits can be read/written and produced to pins.
	Read Only	For input ports, the respective bits can be read only from pins. Write accesses will be ignored.

**CR EAh. GPIO9 Inversion Register**

Location: Address EAh

Attribute: Read/Write

Power Well: VSB

Reset by: GP9X\_MRST

Default : 00h

Size: 8 bits

BIT	READ / WRITE	DESCRIPTION
7~0	R / W	GPIO9 Inversion register 0: The respective bit and the port value are the same. 1: The respective bit and the port value are inverted. (Both Input & Output ports)

**CR EBh. GPIO9 Status Register**

Location: Address EBh

Attribute: Read Only

Power Well: VSB

Reset by: GP9X\_MRST

Default : 00h

Size: 8 bits

BIT	READ / WRITE	DESCRIPTION
-----	--------------	-------------

BIT	READ / WRITE	DESCRIPTION
7~0	Read Only Read-Clear	GPIO9 Event Status Bit 7-0 corresponds to GP97-GP90, respectively. 0 : No active edge (rising/falling) has been detected 1 : An active edge (rising/falling) has been detected Read the status bit clears it to 0.

**CR ECh. GPIO7 Multi-function Select Register**

Location: Address ECh

Attribute: Read/Write

Power Well: VSB

Reset by: GP7X\_MRST

Default : 00h

Size: 8 bits

BIT	READ / WRITE	DESCRIPTION
7	R / W	0: GPIO77 1: GPIO77 → YLW
6	R / W	0: GPIO76 1: GPIO76 → GRN
5	R / W	0: GPIO75 1: GPIO75 → YLW
4	R / W	0: GPIO74 1: GPIO74 → GRN
3-0	Reserved	

**CR EDh. GPIO8 Multi-function Select Register**

Location: Address EDh

Attribute: Read/Write

Power Well: VSB

Reset by: GP8X\_MRST

Default : 00h

Size: 8 bits

BIT	READ / WRITE	DESCRIPTION
7	R / W	0: GPIO87 1: GPIO87 → YLW
6	R / W	0: GPIO86 1: GPIO86 → BEEP
5	R / W	0: GPIO85 1: GPIO85 → SMI
4	R / W	0: GPIO84 1: GPIO84 → WDTO

BIT	READ / WRITE	DESCRIPTION
3	R / W	0: GPIO83 1: GPIO83 → YLW
2	R / W	0: GPIO82 1: GPIO82 → BEEP
1	R / W	0: GPIO81 1: GPIO81 → SMI
0	R / W	0: GPIO80 1: GPIO80 → WDTO

**CR EEh. GPIO9 Multi-function Select Register**

Location: Address EEh

Attribute: Read/Write

Power Well: VSB

Reset by: GP9X\_MRST

Default : 00h

Size: 8 bits

BIT	READ / WRITE	DESCRIPTION
7~2	Reversed	
1	R / W	0: GPIO91 1: GPIO91 → SMI
0	Reserved	

### 19.7 Logical Device 8 (WDT1 GPIOA)

#### CR 30h.

Location: Address 30h

Attribute: Read/Write

Power Well: VCC

Reset by: LRESET#

Default : 02h

Size: 8 bits

BIT	READ / WRITE	DESCRIPTION
7~3	Reserved.	
3	R / W	0: GPIO Base Address mode is inactive 1: GPIO Base Address mode is active
2	R / W	0: GPIOA is inactive.                      1: GPIOA is active.
1	Reserved.	
0	R / W	0: WDT1 is inactive.                      1: WDT1 is active.

#### CR 60h, 61h.

Location: Address 60h, 61h

Attribute: Read/Write

Power Well: VCC

Reset by: LRESET#

Default : 00h, 00h

Size: 16 bits

BIT	READ / WRITE	DESCRIPTION
7~0	R / W	These two registers select GPIO Interface I/O base address <100h: FF8h> on 1 byte boundary.

#### CR F5h. Watchdog Timer I (WDT1) and KBC P20 Control Mode Register

Location: Address F5h

Attribute: Read/Write

Power Well: VCC

Reset by: LRESET# or PWROK

Default : 00h

Size: 8 bits

BIT	READ / WRITE	DESCRIPTION
7~5	Reserved.	
4	R / W	Watchdog Timer I count mode is 1000 times faster. 0: Disable. 1: Enable. (If bit-3 is 0, the count mode is 1/1000 seconds mode.) (If bit-3 is 1, the count mode is 1/1000 minutes mode.)

BIT	READ / WRITE	DESCRIPTION
3	R / W	Select Watchdog Timer I count mode. 0: Second Mode. 1: Minute Mode.
2	R / W	Enable the rising edge of a KBC reset (P20) to issue a time-out event. 0: Disable. 1: Enable.
1	R / W	Disable / Enable the Watchdog Timer I output low pulse to the KBRST# pin (PIN12) 0: Disable. 1: Enable.
0	Reversed	

**CR F6h. Watchdog Timer I (WDT1) Counter Register**

Location: Address F6h

Attribute: Read/Write

Power Well: VCC

Reset by: LRESET# or PWROK

Default : 00h

Size: 8 bits

BIT	READ / WRITE	DESCRIPTION
7~0	R / W	Watch Dog Timer I Time-out value. Writing a non-zero value to this register causes the counter to load the value into the Watch Dog Counter and start counting down. If CR F7h, bits 7 and 6 are set, any Mouse Interrupt or Keyboard Interrupt event causes the previously-loaded, non-zero value to be reloaded to the Watch Dog Counter and the count down resumes. Reading this register returns the current value in the Watch Dog Counter, not the Watch Dog Timer Time-out value. 00h: Time-out Disable 01h: Time-out occurs after $5.03 \times 10^7$ CLKIN cycle time, by analogy. $(5.03 \times 10^7 \times (1/48\text{MHz}) = 1.046\text{s})$

**CR F7h. Watchdog Timer I (WDT1) Control & Status Register**

Location: Address F7h

Attribute: Read/Write

Power Well: VCC

Reset by: LRESET# or PWROK

Default : 00h

Size: 8 bits

BIT	READ / WRITE	DESCRIPTION
7	R / W	Mouse interrupt reset enables watch-dog timer reload 0: Watchdog Timer I is not affected by mouse interrupt. 1: Watchdog Timer I is reset by mouse interrupt.



BIT	READ / WRITE	DESCRIPTION
6	R / W	Keyboard interrupt reset enables watch-dog timer reload 0: Watchdog Timer I is not affected by keyboard interrupt. 1: Watchdog Timer I is reset by keyboard interrupt.
5	Write "1" Only	Trigger Watchdog Timer I event. This bit is self-clearing.
4	R / W Write "0" Clear	Watchdog Timer I status bit 0: Watchdog Timer I is running. 1: Watchdog Timer I issues time-out event.
3~0	R / W	These bits select the IRQ resource for the Watchdog Timer I

**19.8 Logical Device 9 (GPIO2, GPIO3, GPIO4, GPIO5, GPIO7)**

**CR 30h.**

Location: Address 30h

Attribute: Read/Write

Power Well: VSB

Reset by: RSMRST#

Default : 04h

Size: 8 bits

BIT	READ / WRITE	DESCRIPTION	
7	R / W	0: GPIO7 is inactive.	1: GPIO7 is active.
6	Reserved.		
5	R / W	0: GPIO5 is inactive.	1: GPIO5 is active.
4	R / W	0: GPIO4 is inactive.	1: GPIO4 is active.
3	R / W	0: GPIO3 is inactive.	1: GPIO3 is active
2	R / W	0: GPIO2 is inactive.	1: GPIO2 is active.
1~0	Reserved.		

**CR E0h. GPIO2 I/O Register**

Location: Address E0h

Attribute: Read/Write

Power Well: VSB

Reset by: GP2X\_MRST

Default : DFh

Size: 8 bits

BIT	READ / WRITE	DESCRIPTION
7~0	R / W	GPIO2 I/O register 0: The respective GPIO2 PIN is programmed as an output port 1: The respective GPIO2 PIN is programmed as an input port.

**CR E1h. GPIO2 Data Register**

Location: Address E1h

Attribute: Read/Write

Power Well: VSB

Reset by: GP2X\_MRST

Default : 00h

Size: 8 bits

BIT	READ / WRITE	DESCRIPTION
7~0	R / W	GPIO2 Data register For output ports, the respective bits can be read and written by the pins.
	Read Only	For Input ports, the respective bits can only be read by the pins. Write accesses are ignored.

**CR E2h. GPIO2 Inversion Register**

Location: Address E2h  
 Attribute: Read/Write  
 Power Well: VSB  
 Reset by: GP2X\_MRST  
 Default : 00h  
 Size: 8 bits

BIT	READ / WRITE	DESCRIPTION
7~0	R / W	GPIO2 Inversion register 0: The respective bit and the port value are the same. 1: The respective bit and the port value are inverted. (Applies to both input and output ports)

**CR E3h. GPIO2 Status Register**

Location: Address E3h  
 Attribute: Read Only  
 Power Well: VSB  
 Reset by: GP2X\_MRST  
 Default : 00h  
 Size: 8 bits

BIT	READ / WRITE	DESCRIPTION
7~0	Read Only Read-Clear	GPIO2 Event Status Bit 7-0 corresponds to GP27-GP20, respectively. 0 : No active edge (rising/falling) has been detected 1 : An active edge (rising/falling) has been detected Read the status bit clears it to 0.

**CR E4h. GPIO3 I/O Register**

Location: Address E4h  
 Attribute: Read/Write  
 Power Well: VSB  
 Reset by: GP3X\_MRST  
 Default : FFh  
 Size: 8 bits

BIT	READ / WRITE	DESCRIPTION
7~0	R / W	GPIO3 I/O register 0: The respective GPIO3 PIN is programmed as an output port 1: The respective GPIO3 PIN is programmed as an input port.

**CR E5h. GPIO3 Data Register**

Location: Address E5h  
 Attribute: Read/Write  
 Power Well: VSB  
 Reset by: GP3X\_MRST

Default : 00h

Size: 8 bits

BIT	READ / WRITE	DESCRIPTION
7~0	R / W	GPIO3 Data register For output ports, the respective bits can be read and written by the pins.
	Read Only	For Input ports, the respective bits can only be read by the pins. Write accesses are ignored.

**CR E6h. GPIO3 Inversion Register**

Location: Address E6h

Attribute: Read/Write

Power Well: VSB

Reset by: GP3X\_MRST

Default : 00h

Size: 8 bits

BIT	READ / WRITE	DESCRIPTION
7~0	R / W	GPIO3 Inversion register 0: The respective bit and the port value are the same. 1: The respective bit and the port value are inverted. (Applies to both input and output ports)

**CR E7h. GPIO3 Status Register**

Location: Address E7h

Attribute: Read Only

Power Well: VSB

Reset by: GP3X\_MRST

Default : 00h

Size: 8 bits

BIT	READ / WRITE	DESCRIPTION
7~0	Read Only Read-Clear	GPIO3 Event Status Bit 7-0 corresponds to GP37-GP30, respectively. 0 : No active edge(rising/falling) has been detected 1 : An active edge(rising/falling) has been detected Read the status bit clears it to 0.

**CR E9h. GPIO2 Multi-function Select Register**

Location: Address E9h

Attribute: Read/Write

Power Well: VSB

Reset by: GP2X\_MRST

Default : 00h

Size: 8 bits

BIT	READ / WRITE	DESCRIPTION
-----	--------------	-------------

BIT	READ / WRITE	DESCRIPTION
7-6	Reserved	
5	R / W	0: GPIO25 1: GPIO25 → SMI
4	R / W	0: GPIO24 1: GPIO24 → WDTO
3	R / W	0: GPIO23 1: GPIO23 → GRN
2	R / W	0: GPIO22 1: GPIO22 → BEEP
1	R / W	0: GPIO21 1: GPIO21 → SMI
0	R / W	0: GPIO20 1: GPIO20 → WDTO

**CR EAh. GPIO3 Multi-function Select Register**

Location: Address EAh

Attribute: Read/Write

Power Well: VSB

Reset by: GP3X\_MRST

Default : 00h

Size: 8 bits

BIT	READ / WRITE	DESCRIPTION
7	Reserved	
6	R / W	0: GPIO36 1: GPIO36 → BEEP
5	R / W	0: GPIO35 1: GPIO35 → SMI
4	R / W	0: GPIO34 1: GPIO34 → WDTO
3	R / W	0: GPIO33 1: GPIO33 → GRN
2	R / W	0: GPIO32 1: GPIO32 → BEEP
1	Reserved	
0	R / W	0: GPIO30 1: GPIO30 → WDTO

**CR EBh. GPIO5 Multi-function Select Register**

Location: Address EBh

Attribute: Read/Write

Power Well: VSB  
 Reset by: GP5X\_MRST  
 Default : 00h  
 Size: 8 bits

BIT	READ / WRITE	DESCRIPTION
7-5	Reserved	
4	R / W	0: GPIO54 1: GPIO54 → WDTO
3	R / W	0: GPIO53 1: GPIO53 → GRN
2	R / W	0: GPIO52 1: GPIO52 → BEEP
1	R / W	0: GPIO51 1: GPIO51 → SMI
0	Reserved	

**CR F0h. GPIO4 I/O Register**

Location: Address F0h  
 Attribute: Read/Write  
 Power Well: VSB  
 Reset by: GP4X\_MRST  
 Default : FFh  
 Size: 8 bits

BIT	READ / WRITE	DESCRIPTION
7~0	R / W	GPIO4 I/O register 0: The respective GPIO4 PIN is programmed as an output port 1: The respective GPIO4 PIN is programmed as an input port.

**CR F1h. GPIO4 Data Register**

Location: Address F1h  
 Attribute: Read/Write  
 Power Well: VSB  
 Reset by: GP4X\_MRST  
 Default : 00h  
 Size: 8 bits

BIT	READ / WRITE	DESCRIPTION
7~0	R / W	GPIO4 Data register For output ports, the respective bits can be read and written by the pins.
	Read Only	For Input ports, the respective bits can only be read by the pins. Write accesses are ignored.

**CR F2h. GPIO4 Inversion Register**

Location: Address F2h  
 Attribute: Read/Write  
 Power Well: VSB  
 Reset by: GP4X\_MRST  
 Default : 00h  
 Size: 8 bits

BIT	READ / WRITE	DESCRIPTION
7~0	R / W	GPIO4 Inversion register 0: The respective bit and the port value are the same. 1: The respective bit and the port value are inverted. (Applies to both input and output ports)

**CR E8h. GPIO4 Status Register**

Location: Address E8h  
 Attribute: Read Only  
 Power Well: VSB  
 Reset by: GP4X\_MRST  
 Default : 00h  
 Size: 8 bits

BIT	READ / WRITE	DESCRIPTION
7~0	Read Only Read-Clear	GPIO4 Event Status Bit 7-0 corresponds to GP47-GP40, respectively. 0 : No active edge (rising/falling) has been detected 1 : An active edge (rising/falling) has been detected Read the status bit clears it to 0.

**CR EEh. GPIO4 Multi-function Select Register**

Location: Address EEh  
 Attribute: Read/Write  
 Power Well: VSB  
 Reset by: GP4X\_MRST  
 Default : 00h  
 Size: 8 bits

BIT	READ / WRITE	DESCRIPTION
7	R / W	0: GPIO47 1: GPIO47 → YLW
6	R / W	0: GPIO46 1: GPIO46 → BEEP
5	R / W	0: GPIO45 1: GPIO45 → SMI
4	R / W	0: GPIO44 1: GPIO44 → WDTO
3	R / W	0: GPIO43 1: GPIO43 → YLW

BIT	READ / WRITE	DESCRIPTION
2	R / W	0: GPIO42 1: GPIO42 → BEEP
1	R / W	0: GPIO41 1: GPIO41 → SMI
0	R / W	0: GPIO40 1: GPIO40 → WDTO

**CR F4h. GPIO5 I/O Register**

Location: Address F4h

Attribute: Read/Write

Power Well: VSB

Reset by: GP5X\_MRST

Default : FFh

Size: 8 bits

BIT	READ / WRITE	DESCRIPTION
7~5	Reserved.	
4~0	R / W	GPIO5 I/O register 0: The respective GPIO5 PIN is programmed as an output port 1: The respective GPIO5 PIN is programmed as an input port.

**CR F5h. GPIO5 Data Register**

Location: Address F5h

Attribute: Read/Write

Power Well: VSB

Reset by: GP5X\_MRST

Default : 00h

Size: 8 bits

BIT	READ / WRITE	DESCRIPTION
7~5	Reserved.	
4~0	R / W	GPIO5 Data register For output ports, the respective bits can be read and written by the pins.
	Read Only	For input ports, the respective bits can only be read by the pins. Write accesses are ignored.

**CR F6h. GPIO5 Inversion Register**

Location: Address F6h

Attribute: Read/Write

Power Well: VSB

Reset by: GP5X\_MRST

Default : 00h

Size: 8 bits



BIT	READ / WRITE	DESCRIPTION
7~5	Reserved.	
4~0	R / W	GPIO5 Inversion register 0: The respective bit and the port value are the same. 1: The respective bit and the port value are inverted. (Applies to both input and output ports)

**CR F7h. GPIO5 Status Register**

Location: Address F7h

Attribute: Read Only

Power Well: VSB

Reset by: GP5X\_MRST

Default : 00h

Size: 8 bits

BIT	READ / WRITE	DESCRIPTION
7~5	Reserved.	
4~0	Read Only Read-Clear	GPIO5 Event Status Bit 7-0 corresponds to GP57-GP50, respectively. 0 : No active edge (rising/falling) has been detected 1 : An active edge (rising/falling) has been detected Read the status bit clears it to 0.

**CR FEh. Input Detected Type Register**

Location: Address FEh

Attribute: Read/Write

Power Well: VSB

Reset by: GP4X\_MRST or GP9X\_MRST

Default : 00h

Size: 8 bits

BIT	READ / WRITE	DESCRIPTION
7~5	Reserved.	
4	R / W	0: Enable GP41 input de-bouncer 1: Disable GP41 input de-bouncer
3~1	Reserved.	
0	R / W	0: GP41 trigger type: edge 1: GP41 trigger type: level

### 19.9 Logical Device A (ACPI)

#### CR E0h.

Location: Address E0h

Attribute: Read/Write

Power Well: VRTC

Reset by: Battery reset

Default : 01h

Size: 8 bits

BIT	READ / WRITE	DESCRIPTION																												
7	R / W	DIS_PSIN => Disable the panel switch input to turn on the system power supply. 0: PSIN is wire-AND and connected to PSOUT#. 1: PSIN is blocked and cannot affect PSOUT#.																												
6	R / W	Enable KBC wake-up 0: Disable keyboard wake-up function via PSOUT#. 1: Enable keyboard wake-up function via PSOUT#.																												
5	R / W	Enable Mouse wake-up 0: Disable mouse wake-up function via PSOUT#. 1: Enable mouse wake-up function via PSOUT#.																												
4	R / W	MSRKEY => Three keys (ENMDAT_UP, CRE6[7]; MSRKEY, CRE0[4]; MSXKEY, CRE0[1]) define the combinations of the mouse wake-up events. Please see the following table for the details. <table border="1" style="margin-left: 20px;"> <thead> <tr> <th>ENMDAT_UP</th> <th>MSRKEY</th> <th>MSXKEY</th> <th>Wake-up event</th> </tr> </thead> <tbody> <tr> <td>1</td> <td>x</td> <td>1</td> <td>Any button clicked or any movement.</td> </tr> <tr> <td>1</td> <td>x</td> <td>0</td> <td>One click of left or right button.</td> </tr> <tr> <td>0</td> <td>0</td> <td>1</td> <td>One click of the left button.</td> </tr> <tr> <td>0</td> <td>1</td> <td>1</td> <td>One click of the right button.</td> </tr> <tr> <td>0</td> <td>0</td> <td>0</td> <td>Two clicks of the left button.</td> </tr> <tr> <td>0</td> <td>1</td> <td>0</td> <td>Two clicks of the right button.</td> </tr> </tbody> </table>	ENMDAT_UP	MSRKEY	MSXKEY	Wake-up event	1	x	1	Any button clicked or any movement.	1	x	0	One click of left or right button.	0	0	1	One click of the left button.	0	1	1	One click of the right button.	0	0	0	Two clicks of the left button.	0	1	0	Two clicks of the right button.
ENMDAT_UP	MSRKEY	MSXKEY	Wake-up event																											
1	x	1	Any button clicked or any movement.																											
1	x	0	One click of left or right button.																											
0	0	1	One click of the left button.																											
0	1	1	One click of the right button.																											
0	0	0	Two clicks of the left button.																											
0	1	0	Two clicks of the right button.																											
3	R / W	Enable CIR wake-up 0: Disable CIR wake-up function via PSOUT#. 1: Enable CIR wake-up function via PSOUT#.																												
2	R / W	Keyboard / Mouse swap enable 0: Normal mode. 1: Keyboard / Mouse ports are swapped.																												
1	R / W	MSXKEY => Three keys (ENMDAT_UP, CRE6[7]; MSRKEY, CRE0[4]; MSXKEY, CRE0[1]) define the combinations of the mouse wake-up events. Please check out the table in CRE0[4] for the detailed.																												

BIT	READ / WRITE	DESCRIPTION
0	R / W	KBXKEY => 0: Only the pre-determined key combination in sequence can wake up the system. 1: Any character received from the keyboard can wake up the system.

**CR E1h. KBC Wake-Up Index Register**

Location: Address E1h

Attribute: Read/Write

Power Well: VSB

Reset by: RSMRST#

Default : 00h

Size: 8 bits

BIT	READ / WRITE	DESCRIPTION
7~0	R / W	Keyboard wake-up index register. This is the index register of CRE2, which is the access window for the keyboard's pre-determined key key-combination characters. The first set of wake-up keys is in of 0x00 – 0x0E, the second set 0x30 – 0x3E, and the third set 0x40 – 0x4E. Incoming key combinations can be read through 0x10 – 0x1E.

**CR E2h. KBC Wake-Up Data Register**

Location: Address E2h

Attribute: Read/Write

Power Well: VSB

Reset by: RSMRST#

Default : 00h

Size: 8 bits

BIT	READ / WRITE	DESCRIPTION
7~0	R / W	Keyboard wake-up data register. This is the data register for the keyboard's pre-determined key-combination characters, which is indexed by CRE1.

**CR E3h. Event Status Register**

Location: Address E3h

Attribute: Read Only

Power Well: VRTC

Reset by: Battery reset

Default : 00h

Size: 8 bits

BIT	READ / WRITE	DESCRIPTION
7-5	Reserved.	
4	Read Only Read-Clear	This status flag indicates VSB power off/on.

BIT	READ / WRITE	DESCRIPTION
3	Read Only Read-Clear	Thermal shutdown status. 0: No thermal shutdown event issued. 1: Thermal shutdown event issued.
2	Read Only Read-Clear	PSIN_STS 0: No PSIN event issued. 1: PSIN event issued.
1	Read Only Read-Clear	MSWAKEUP_STS => The bit is latched by the mouse wake-up event. 0: No mouse wake-up event issued. 1: Mouse wake-up event issued.
0	Read Only Read-Clear	KBWAKEUP_STS => The bit is latched by the keyboard wake-up event. 0: No keyboard wake-up event issued. 1: Keyboard wake-up event issued.

**CR E4h.**

Location: Address E4h

Attribute: Read/Write

Power Well: VRTC

Reset by: Battery reset, PWROK(Bit4), LRESET#(Bit3-2)

Default : 00h

Size: 8 bits

BIT	READ / WRITE	DESCRIPTION
7	Reserved	
6~5	R / W	Power-loss control bits => (VBAT) <b>Bits</b> <b>6 5</b> 0 0: System always turns off when it returns from power-loss state. 0 1: System always turns on when it returns from power-loss state. 1 0: System turns off / on when it returns from power-loss state depending on the state before the power loss. 1 1: User defines the resuming state before power loss.(refer to Logic Device A, CRE6[4])
4	R / W	VSBGATE# Enable bit => 0: Disable. 1: Enable.
3	R / W	Keyboard wake-up options. 0: Password or sequence hot keys programmed in the registers. 1: Any key.
2	R / W	Enable the hunting mode for all wake-up events set in CRE0. This bit is cleared when any wake-up events is captured. (this bit is reset by LRESET#) (Note. This bit is to generate PSOUT# via KB or MS under S1.) 0: Disable. 1: Enable.
1~0	Reserved.	

**CR E5h. GPIOs Reset Source Register**

Location: Address E5h

Attribute: Read/Write

Power Well: VSB

Reset by: RSMRST#

Default : 02h

Size: 8 bits

BIT	READ / WRITE	DESCRIPTION
7	R / W	GPAX_MRST 0: GPAX reset by LRESET#. 1: GPAX reset by PWROK.
6	R / W	GP9X_MRST 0: GP9X reset by RSMRST#. 1: GP9X reset by SLPS5.
5	R / W	GP8X_MRST 0: GP8X reset by RSMRST#. 1: GP8X reset by SLPS5.
4	R / W	GP7X_MRST 0: GP7X reset by RSMRST#. 1: GP7X reset by SLPS5.
3~2	Reserved.	
1	R / W	PWROK source selection. 0: PSON#. 1: SLP_S3#.
0	R / W	ATXPGD signal to control PWROK 0: Enable. 1: Disable.

**CR E6h.**

Location: Address E6h

Attribute: Read/Write

Power Well: VRTC

Reset by: RSMRST#(Bit7, Bit5, Bit3-1), Battery reset(Bit6, Bit4), PWROK(Bit0)

Default : 1Ch

Size: 8 bits

BIT	READ / WRITE	DESCRIPTION
7	R / W	ENMDAT => Three keys (ENMDAT_UP, CRE6[7]; MSRKEY, CRE0[4]; MSXKEY, CRE0[1]) define the combinations of the mouse wake-up events. Please see the table in CRE0, bit 4 for the details.
6~5	Reserved.	
4	R / W	Power-loss Last State Flag. 0: ON 1: OFF.

BIT	READ / WRITE	DESCRIPTION
3~1	R / W	<p>PWROK_DEL Set the delay time when rising from 3VCC to PWROK</p> <p><b>Bits</b> <b>3 2 1</b></p> <p>0 0 0: 300 ~ 600mS 0 0 1: 330 ~ 670mS 0 1 0: 390 ~ 730mS 0 1 1: 520 ~ 860mS 1 0 0: 200 ~ 300mS 1 0 1: 230 ~ 370mS 1 1 0: 290 ~ 430mS 1 1 1: 420 ~ 560mS</p>
0	R / W	<p>PWROK_TRIG =&gt; 0: PWROK work normally. (Default) 1: Write 1 will let PWROK keep low or from high to low immediately.</p>

**CR E7h.**

Location: Address E7h

Attribute: Read/Write

Power Well: VRTC

Reset by: RSMRST#(Bit7-5, Bit3-2), Battery reset(Bit4, Bit1-0)

Default : 00h

Size: 8 bits

BIT	READ / WRITE	DESCRIPTION
7	R / W	<p>ENKD3 =&gt; Enable the third set of keyboard wake-up key combination. Its values are accessed through keyboard wake-up index register (CRE1) and keyboard wake-up data register (CRE2) at the index from 40h to 4eh. 0: Disable the third set of the key combinations. 1: Enable the third set of the key combinations.</p>
6	R / W	<p>ENKD2 =&gt; Enable the second set of keyboard wake-up key combination. Its values are accessed through keyboard wake-up index register (CRE1) and keyboard wake-up data register (CRE2) at the index from 30h to 3eh. 0: Disable the second set of the key combinations. 1: Enable the second set of the key combinations.</p>
5	R / W	<p>ENWIN98KEY =&gt; Enable Win98 keyboard dedicated key to wake-up system via PSOUT# when keyboard wake-up function is enabled. 0: Disable Win98 keyboard wake-up. 1: Enable Win98 keyboard wake-up.</p>

BIT	READ / WRITE	DESCRIPTION
4	R / W	EN_ONPSOUT Disable/Enable to issue a 0.5s delay PSOUT# level when system returns from power loss state and is supposed to be on as described in CRE4[6:5], logic device A. (for SiS & VIA chipsets) 0: Disable. 1: Enable.
3	R / W	Select WDT1 reset source 0: Watchdog timer is reset by LRESET#. 1: Watchdog timer is reset by PWROK.
2~1	Reserved.	
0	R / W	Hardware Monitor RESET source select 0: PWROK. 1: LRESET#.

**CR E9h. GPIOs Reset Source Register**

Location: Address E9h

Attribute: Read/Write

Power Well: VSB

Reset by: RSMRST#

Default : 00h

Size: 8 bits

BIT	READ / WRITE	DESCRIPTION
7-6	Reserved.	
5	R / W	GP5X_MRST 0: GP5X reset by RSMRST#. 1: GP5X reset by SLPS5.
4	R / W	GP4X_MRST 0: GP4X reset by RSMRST#. 1: GP4X reset by SLPS5.
3	R / W	GP3X_MRST 0: GP3X reset by RSMRST#. 1: GP3X reset by SLPS5.
2	R / W	GP2X_MRST 0: GP2X reset by RSMRST#. 1: GP2X reset by SLPS5.
1-0	Reserved.	

**CR EEh.**

Location: Address EEh

Attribute: Read/Write

Power Well: VRTC

Reset by: Battery reset

Default : 01h

Size: 8 bits

BIT	READ / WRITE	DESCRIPTION
7-0	Reserved.	

**CR F0h.**

Location: Address F0h

Attribute: Read/Write

Power Well: VRTC

Reset by: Battery reset

Default : 00h

Size: 8 bits

BIT	READ / WRITE	DESCRIPTION	
7-5	R / W	Pin33 function selection	
		LDA CRF0 [Bit7-5]	Pin33
		000	DEEP_S5
		001	3VSBSW
		010	LATCH_BKFD_CUT
		011	ATXPGDO
		1xx	PWROK
4-0	Reserved.		

**CR F2h.**

Location: Address F2h

Attribute: Read/Write

Power Well: VSB

Reset by: RSMRST#

Default : 5Ch

Size: 8 bits

BIT	READ / WRITE	DESCRIPTION
7-4	Reserved.	
3	R / W	Enable RSTOUT1# function. 0: Disable RSTOUT1#. 1: Enable RSTOUT1#. (Default)
2	R / W	Enable RSTOUT0# function. 0: Disable RSTOUT0#. 1: Enable RSTOUT0#. (Default)
1	Reserved.	
0	R / W	EN_PME 0 : Disable PME. (Default) 1 : Enable PME.

**CR F3h.**



Location: Address F3h  
 Attribute: Read/Write  
 Power Well: VSB  
 Reset by: RSMRST#  
 Default : 00h  
 Size: 8 bits

BIT	READ / WRITE	DESCRIPTION
7~6	Reserved.	
5	R / W-Clear	PME status of the Mouse IRQ event. Write 1 to clear this status.
4	R / W-Clear	PME status of the KBC IRQ event. Write 1 to clear this status.
3~2	Reserved.	
1	R / W-Clear	PME status of the URA IRQ event. Write 1 to clear this status.
0	Reserved.	

**CR F4h.**

Location: Address F4h  
 Attribute: Read/Write  
 Power Well: VSB  
 Reset by: RSMRST#  
 Default : 00h  
 Size: 8 bits

BIT	READ / WRITE	DESCRIPTION
7~4	Reserved.	
3	R / W-Clear	PME status of the HM IRQ event. Write 1 to clear this status.
2	R / W-Clear	PME status of the WDT1 event. Write 1 to clear this status.
1	Reserved.	
0	R / W-Clear	PME status of the RIB event. Write 1 to clear this status.

**CR F6h.**

Location: Address F6h  
 Attribute: Read/Write  
 Power Well: VSB  
 Reset by: LRESET#(Bit7), RSMRST#  
 Default : 00h  
 Size: 8 bits

BIT	READ / WRITE	DESCRIPTION
-----	--------------	-------------

BIT	READ / WRITE	DESCRIPTION
7	R / W	0: Disable KB, MS interrupt of the KBC password event. 1: Enable KB, MS interrupt of the KBC password event.
6	Reserved.	
5	R / W	0: Disable PME interrupt of the Mouse IRQ event. 1: Enable PME interrupt of the Mouse IRQ event.
4	R / W	0: Disable PME interrupt of the KBC IRQ event. 1: Enable PME interrupt of the KBC IRQ event.
3~2	Reserved.	
1	R / W	0: Disable PME interrupt of the URA IRQ event. 1: Enable PME interrupt of the URA IRQ event.
0	Reserved.	

**CR F7h.**

Location: Address F7h

Attribute: Read/Write

Power Well: VSB

Reset by: RSMRST#

Default : C0h

Size: 8 bits

BIT	READ / WRITE	DESCRIPTION
7	Reserved.	
6	R / W	RSTOUT1# Push-Pull/OD select 0: Open Drain 1: Push-Pull
5	Reserved	
4	R / W	0: Disable PME interrupt of the CIRWAKEUP IRQ event. 1: Enable PME interrupt of the CIRWAKEUP IRQ event.
3	R / W	0: Disable PME interrupt of the HM IRQ event. 1: Enable PME interrupt of the HM IRQ event.
2	R / W	0: Disable PME interrupt of the WDT1 event. 1: Enable PME interrupt of the WDT1 event.
1	Reserved.	
0	R / W	0: Disable PME interrupt of the RIB event. 1: Enable PME interrupt of the RIB event.

**CR FEh. GPIO41 Event Route Selection Register**

Location: Address FEh

Attribute: Read/Write

Power Well: VSB

Reset by: RSMRST#

Default : 00h

Size: 8 bits

BIT	READ / WRITE	DESCRIPTION
7	R / W	0: Disable GP41 event route to PSOUT#. 1: Enable GP41 event route to PSOUT#.
6~4	Reserved.	
3	R / W	0: Disable GP41 event route to PME#. 1: Enable GP41 event route to PME#.
2~0	Reserved.	

新唐科技 NUVOTON  
INTELLECTUAL PROPERTY

新唐科技 NUVOTON  
INTELLECTUAL PROPERTY

**19.10 Logical Device B (Hardware Monitor, Front Panel LED)**

**CR 30h.**

Location: Address 30h  
 Attribute: Read/Write  
 Power Well: VCC  
 Reset by: LRESET#  
 Default : 00h  
 Size: 8 bits

BIT	READ / WRITE	DESCRIPTION
7~1	Reserved.	
0	R / W	0: Hardware Monitor & SB-TSI device is inactive. 1: Hardware Monitor & SB-TSI device is active.

**CR 60h, 61h.**

Location: Address 60h, 61h  
 Attribute: Read/Write  
 Power Well: VCC  
 Reset by: LRESET#  
 Default : 00h, 00h  
 Size: 16 bits

BIT	READ / WRITE	DESCRIPTION
7~0	R / W	These two registers select the HM base address <100h : FFEh> along a two-byte boundary.

**CR 62h, 63h.**

Location: Address 62h, 63h  
 Attribute: Read/Write  
 Power Well: VCC  
 Reset by: LRESET#  
 Default : 00h, 00h  
 Size: 16 bits

BIT	READ / WRITE	DESCRIPTION
7~0	R / W	These two registers select the SB-TSI base address <100h : FFEh> along a two-byte boundary.

**CR 70h.**

Location: Address 70h  
 Attribute: Read/Write  
 Power Well: VCC  
 Reset by: LRESET#  
 Default : 00h  
 Size: 8 bits

BIT	READ / WRITE	DESCRIPTION
-----	--------------	-------------

BIT	READ / WRITE	DESCRIPTION
7~4	Reserved.	
3~0	R / W	These bits select the IRQ resource for HM.

**CR E0h. SYSFAN Duty Cycle Register**

Location: Address E0h

Attribute: Read/Write

Power Well: VSB

Reset by: RSMRST#

Default : 7Fh

Size: 8 bits

BIT	READ / WRITE	DESCRIPTION
7-0	R / W	SYSFAN Duty Cycle Register

**CR E1h. CPUFAN Duty Cycle Register**

Location: Address E1h

Attribute: Read/Write

Power Well: VSB

Reset by: RSMRST#

Default : 7Fh

Size: 8 bits

BIT	READ / WRITE	DESCRIPTION
7-0	R / W	CPUFAN Duty Cycle Register

**CR F0h. FANIN de-bouncer Register**

Location: Address F0h

Attribute: Read/Write

Power Well: VSB

Reset by: LRESET#

Default : 00h

Size: 8 bits

BIT	READ / WRITE	DESCRIPTION
7~3	Reserved.	
2	R / W	1: Enable CPUFANIN input de-bouncer. 0: Disable CPUFANIN input de-bouncer.
1	R / W	1: Enable SYSFANIN input de-bouncer. 0: Disable SYSFANIN input de-bouncer.
0	Reserved.	

**CR F1h. SMI IRQ Register**

Location: Address F1h

Attribute: Read/Write

Power Well: VCC

Reset by: LRESET#  
 Default : 00h  
 Size: 8 bits

BIT	READ / WRITE	DESCRIPTION
7	R / W	SMI IRQ Enable
6-0	Reserved.	

**CR F2h. Deep S3 Sleeping State Front panel Green & Yellow LED control register**

Attribute: Read/Write  
 Power Well: VRTC  
 Reset by: Battery reset  
 Default : 00h

BIT	READ / WRITE	DESCRIPTION
7-4	R / W	<p><b>Deep S3_YLW_BLK_FREQ</b> bits (This function affects by LDB CRF9 Bit 7)                      0000: High-Z. (The output type of YLW_LED is open-drain.) (Default)                      0001: YLW_LED outputs 0.0625Hz.                      0010: YLW_LED outputs 0.125Hz.                      0011: YLW_LED outputs 0.25Hz.                      0100: YLW_LED outputs 0.5Hz                      0101: YLW_LED outputs 1Hz.                      0110: YLW_LED outputs 2Hz.                      0111: YLW_LED outputs low.                      1XXX: Fading LED.</p>
3-0	R / W	<p><b>Deep S3_GRN_BLK_FREQ</b> bits (This function affects by LDB CRF9 Bit 6)                      0000: High-Z. (The output type of YLW_LED is open-drain.) (Default)                      0001: GRN_LED outputs 0.0625Hz.                      0010: GRN_LED outputs 0.125Hz.                      0011: GRN_LED outputs 0.25Hz.                      0100: GRN_LED outputs 0.5Hz                      0101: GRN_LED outputs 1Hz.                      0110: GRN_LED outputs 2Hz.                      0111: GRN_LED outputs low.                      1XXX: Fading LED.</p>

**CR F5h. SMBus de-bouncer Register**

Location: Address F5h  
 Attribute: Read/Write  
 Power Well: VSB  
 Reset by: RSMRST#  
 Default : 00h  
 Size: 8 bits

BIT	READ / WRITE	DESCRIPTION
7~2	Reserved.	

BIT	READ / WRITE	DESCRIPTION
1	R / W	1: Enable SCL input de-bouncer 160ns. 0: Disable SCL input de-bouncer.
0	R / W	1: Enable SDA input de-bouncer 160ns. 0: Disable SDA input de-bouncer.

**CR F6h. Deep S5 Front Panel Green & Yellow LED control register**

Attribute: Read/Write

Power Well: VRTC

Reset by: Battery reset

Default : 00h

BIT	READ / WRITE	DESCRIPTION
7-4	R / W	<b>Deep S5_YLW_BLK_FREQ</b> bits (This function affects by LDB CRF9 Bit 5) 0000: High-Z. (The output type of YLW_LED is open-drain.) (Default) 0001: YLW_LED outputs 0.0625Hz. 0010: YLW_LED outputs 0.125Hz. 0011: YLW_LED outputs 0.25Hz. 0100: YLW_LED outputs 0.5Hz 0101: YLW_LED outputs 1Hz. 0110: YLW_LED outputs 2Hz. 0111: YLW_LED outputs low. 1XXX: Fading LED.
3-0	R / W	<b>Deep S5_GRN_BLK_FREQ</b> bits (This function affects by LDB CRF9 Bit 4) 0000: High-Z. (The output type of YLW_LED is open-drain.) (Default) 0001: GRN_LED outputs 0.0625Hz. 0010: GRN_LED outputs 0.125Hz. 0011: GRN_LED outputs 0.25Hz. 0100: GRN_LED outputs 0.5Hz 0101: GRN_LED outputs 1Hz. 0110: GRN_LED outputs 2Hz. 0111: GRN_LED outputs low. 1XXX: Fading LED.

**CR F7h. Front Panel Green LED (GRN\_LED) control register**

Attribute: Read/Write

Power Well: VRTC

Reset by: Battery reset

Default : 87h

BIT	READ / WRITE	DESCRIPTION
7	R / W	<b>AUTO_EN</b> (Powered by VSB, RSMRST# reset , default = 1) 0: GRN_LED and YLW_LED are controlled by GRN_LED_RST, GRN_BLK_FREQ and YLW_LED_RST, YLW_BLK_FREQ bits. 1: GRN_LED and YLW_LED are controlled by "SLP_S5#" and "SLP_S3#".

BIT	READ / WRITE	DESCRIPTION
6	R / W	<b>GRN_LED_RST#</b> (Default= 0) 0: GRN_BLK_FREQ will be set to "0000" (High-Z) when into S3~S5 state. 1: GRN_BLK_FREQ will be kept when into S3~S5 state.
5	R / W	<b>GRN_LED_POL</b> 0: GRN_LED output is active low. (Default) 1: GRN_LED output is active high.
4	Reserved.	
3-0	R / W	<b>GRN_BLK_FREQ</b> bits (The reset depends on bit6, GRN_LED_RST#) 0000: High-Z. (The output type of YLW_LED is open-drain.) 0001: GRN_LED outputs 0.0625Hz. 0010: GRN_LED outputs 0.125Hz. 0011: GRN_LED outputs 0.25Hz. 0100: GRN_LED outputs 0.5Hz 0101: GRN_LED outputs 1Hz. 0110: GRN_LED outputs 2Hz. 0111: GRN_LED outputs low. (Default) 1XXX: Fading LED.

**CR F8h. Front Panel Yellow LED (YLW\_LED) control register**

Attribute: Read/Write

Power Well: VRTC

Reset by: Battery reset

Default : 47h

BIT	READ / WRITE	DESCRIPTION
7	Reserved.	
6	R / W	<b>YLW_LED_RST#</b> (Default =1) 0: YLW_BLK_FREQ will be set to "0000" (High-Z) when into S3~S5 state. 1: YLW_BLK_FREQ will be kept when into S3~S5 state.
5	R / W	<b>YLW_LED_POL</b> 0: YLW_LED output is active low. (Default) 1: YLW_LED output is active high.
4	Reserved.	
3-0	R / W	<b>YLW_BLK_FREQ</b> bits (The reset depends on bit6, YLW_LED_RST#) 0000: High-Z. (The output type of YLW_LED is open-drain.) 0001: YLW_LED outputs 0.0625Hz. 0010: YLW_LED outputs 0.125Hz. 0011: YLW_LED outputs 0.25Hz. 0100: YLW_LED outputs 0.5Hz 0101: YLW_LED outputs 1Hz. 0110: YLW_LED outputs 2Hz. 0111: YLW_LED outputs low. (Default) 1XXX: Fading LED.



**CR F9h.Eanble register**

Location: Address F9h

Attribute: Read/Write

Power Well: VRTC

Reset by: VPS#

Default : 00h

Size: 8 bits

BIT	READ / WRITE	DESCRIPTION
7	R / W	YLW_DEEPS3_SET
6	R / W	GRN_DEEPS3_SET
5	R / W	YLW_DEEPS5_SET
4	R / W	GRN_DEEPS5_SET
3~0	Reserved.	

**Logical Device E (CIR WAKE-UP)**

**CR 30h.**

Location: Address 00h

Attribute: Read/Write

Power Well: VCC

Reset by: LRESET#

Default : 00h

Size: 8 bits

BIT	READ / WRITE	DESCRIPTION
7~1	Reserved.	
0	R / W	0: CIR Wake-up is inactive. 1: CIR Wake-up Interface is active.

**CR 60h, 61h.**

Location: Address 60h, 61h

Attribute: Read/Write

Power Well: VCC

Reset by: LRESET#

Default : 00h, 00h

Size: 16 bits

BIT	READ / WRITE	DESCRIPTION
7~0	R / W	These two registers select CIR Wake-up Interface I/O base address <100h: FF8h> on 1 byte boundary.

**CR 70h.**

Location: Address 70h

Attribute: Read/Write

Power Well: VCC

Reset by: LRESET#

Default : 00h

Size: 8 bits

BIT	READ / WRITE	DESCRIPTION
7~4	Reserved.	
3~0	R / W	These bits select IRQ resource for CIR Wake-up.

**19.11 Logical Device F ((GPIO Push-pull or Open-drain selection)**

**CR E1h.**

Location: Address E1h  
 Attribute: Read/Write  
 Power Well: VSB  
 Reset by: GP2X\_MRST  
 Default : DFh  
 Size: 8 bits

BIT	READ / WRITE	DESCRIPTION
7~0	R / W	GP2 Push-Pull/OD select 0:Push-Pull 1:Open Drain

**CR E2h.**

Location: Address E2h  
 Attribute: Read/Write  
 Power Well: VSB  
 Reset by: GP3X\_MRST  
 Default : F7h  
 Size: 8 bits

BIT	READ / WRITE	DESCRIPTION
7~0	R / W	GP3 Push-Pull/OD select 0:Push-Pull (Push-Pull is the default for GP33) 1:Open Drain

**CR E3h.**

Location: Address E3h  
 Attribute: Read/Write  
 Power Well: VSB  
 Reset by: GP4X\_MRST  
 Default : FEh  
 Size: 8 bits

BIT	READ / WRITE	DESCRIPTION
7~0	R / W	GP4 Push-Pull/OD select 0:Push-Pull 1:Open Drain

**CR E4h.**

Location: Address E4h  
 Attribute: Read/Write  
 Power Well: VSB  
 Reset by: GP5X\_MRST  
 Default : F6h  
 Size: 8 bits

BIT	READ / WRITE	DESCRIPTION
7~0	R / W	GP5 Push-Pull/OD select 0:Push-Pull (Push-Pull is the default for GP52) 1:Open Drain

**CR E6h.**

Location: Address E6h  
Attribute: Read/Write  
Power Well: VSB  
Reset by: GP7X\_MRST  
Default : FFh  
Size: 8 bits

BIT	READ / WRITE	DESCRIPTION
7~0	R / W	GP7 Push-Pull/OD select 0:Push-Pull 1:Open Drain

**CR E7h.**

Location: Address E7h  
Attribute: Read/Write  
Power Well: VSB  
Reset by: GP8X\_MRST  
Default : D3h  
Size: 8 bits

BIT	READ / WRITE	DESCRIPTION
7~0	R / W	GP8 Push-Pull/OD select 0:Push-Pull 1:Open Drain

**CR E8h.**

Location: Address E8h  
Attribute: Read/Write  
Power Well: VSB  
Reset by: GP9X\_MRST  
Default : FFh  
Size: 8 bits

BIT	READ / WRITE	DESCRIPTION
7~0	R / W	GP9 Push-Pull/OD select 0:Push-Pull 1:Open Drain

**CR F0h. I2C Control & Address Register**

Location: Address F0h  
Attribute: Read/Write

Power Well: VSB  
 Reset by: RSMRST#  
 Default : 00h  
 Size: 8 bits

BIT	READ / WRITE	DESCRIPTION
7	R / W	Enable I2C_Slave
6~0	R / W	I2C Address

**CR F1h. I2C to 80PORT Control Register**

Location: Address F1h  
 Attribute: Read/Write  
 Power Well: VSB  
 Reset by: LRESET#  
 Default : 00h  
 Size: 8 bits

BIT	READ / WRITE	DESCRIPTION
7-2	Reserved.	
1	R / W	80PORT Display 0: Enable 1: Disable
0	R / W	LPC or I2C to 80PORT switch

**CR F2h. I2C to 80PORT Data Register**

Location: Address F2h  
 Attribute: Read/Write  
 Power Well: VSB  
 Reset by: RSMRST#  
 Default : 00h  
 Size: 8 bits

BIT	READ / WRITE	DESCRIPTION
7~0	R / W	I2C to 80PORT Data

**19.12 Logical Device 16 (Deep Sleep)**

**CR 30h. Deep Sleep configuration register**

Location: Address 30h

Attribute: Read/Write

Power Well: VRTC

Reset by: Battery reset

Default : 20h

Size: 8 bits

BIT	READ / WRITE	DESCRIPTION
7	R / W	DIS_SLPSUS_PULLUP (test mode) Set to 0, enable pin 44 (SLP_SUS#) internal pull-ups when DSW function routes to PVID pins. Set to 1, disable pin 44 (SLP_SUS#) internal pull-up.
6~5	Reserved.	
4	R / W	dsw_wake_opt (test mode) Set to 0, the PSOUT# will assert until SLPS3# high when deep s5 wakeup event happened. Set to 1, the PSOUT# will assert until RSMRST_L high and SLP_SUS_L high when deep s5 wakeup event happened. <b>PS. This bit only active when PCH_DSW_EN &amp; (Deep S5 Enable   Deep S3 Enable)</b>
3	R / W	PCH_DSW_EN Set to 0, if PCH disable DSW (Deep Sleep Well) function. Set to 1, if PCH enable DSW (Deep Sleep Well) function.
2	Reserved.	
1	R / W	Deep S3 Enable Set to 0, If SLP_S3# state, will not enter Deep S3 state. Set to 1, If SLP_S3# state, will enter Deep S3 state.
0	R / W	Deep S5 Enable Set to 0, If SLP_S5# state, will not enter Deep S5 state. Set to 1, If SLP_S5# state, will enter Deep S5 state.

**CR E0h. Deep Sleep wake up PSOUT# delay time**

Location: Address E0h

Attribute: Read/Write

Power Well: VSB

Reset by: RSMRST#

Default : **20h** (Default: 512ms)

Size: 8 bits

BIT	READ / WRITE	DESCRIPTION
7~6	Reserved.	

BIT	READ / WRITE	DESCRIPTION
5~0	R / W	Deep Sleep wake up PSOUT# delay time. When system wake up from deep sleep state, IO will issue a low pulse via PSOUT# after SYS_3VSB and wait a delay time. DELAY TIME = (Setting Value) * 16ms Example : maximum delay time = (3F) <sub>hex</sub> * 16ms = 1008ms

**CR E1h. Deep Sleep wake up PSOUT# pulse width**

Location: Address E1h

Attribute: Read/Write

Power Well: VSB

Reset by: RSMRST#

Default : 04h (Default: 128 ms)

Size: 8 bits

BIT	READ / WRITE	DESCRIPTION
7~4	Reserved.	
3~0	R / W	Deep Sleep wake up PSOUT# pulse width. When system wake up from deep sleep state, IO will issue a low pulse via PSOUT#.. Pulse Width = (Setting Value) * 32ms Example : maximum pulse width = (F) <sub>hex</sub> * 32ms = 480ms

**CR E2h. Deep Sleep Delay Time Control**

Location: Address E2h

Attribute: Read/Write

Power Well: VSB

Reset by: RSMRST#

Default : 05h (Default: 5 sec)

Size: 8 bits

BIT	READ / WRITE	DESCRIPTION
7	R / W	0: The unit of deep sleep delay time is second. 1: The unit of deep sleep delay time is Minute.
6~0	R / W	Deep Sleep Delay Time Control. When system leaves S0 State, IO will wait a delay time before entering into Deep Sleep State. Example: maximum delay time = 127 second/minute

**CR E3h. Reserved**

### 19.13 Logical Device 17 (GPIOA)

#### CR E0h. GPIOA I/O Register

Location: Address E0h

Attribute: Read/Write

Power Well: VCC

Reset by: GPAX\_MRST

Default : 01h

Size: 8 bits

BIT	READ / WRITE	DESCRIPTION
7~1	Reversed	
0	R / W	GPIOA I/O register 0: The respective GPIOA PIN is programmed as an output port 1: The respective GPIOA PIN is programmed as an input port.

#### CR E1h. GPIOA Data Register

Location: Address E1h

Attribute: Read/Write

Power Well: VCC

Reset by: GPAX\_MRST

Default : 00h

Size: 8 bits

BIT	READ / WRITE	DESCRIPTION
7~1	Reversed	
0	R / W	GPIOA Data register For output ports, the respective bits can be read and written by the pins.
	Read Only	For Input ports, the respective bits can only be read by the pins. Write accesses are ignored.

#### CR E2h. GPIOA Inversion Register

Location: Address E2h

Attribute: Read/Write

Power Well: VCC

Reset by: GPAX\_MRST

Default : 00h

Size: 8 bits

BIT	READ / WRITE	DESCRIPTION
7~1	Reversed	
0	R / W	GPIOA Inversion register 0: The respective bit and the port value are the same. 1: The respective bit and the port value are inverted. (Applies to both input and output ports)



**CR E3h. GPIOA Status Register**

Location: Address E3h

Attribute: Read Only

Power Well: VCC

Reset by: GPAX\_MRST

Default : 00h

Size: 8 bits

BIT	READ / WRITE	DESCRIPTION
7~1	Reversed	
0	Read Only Read-Clear	GPIOA Event Status Bit 7-0 corresponds to GPA7-GPA0, respectively. 0 : No active edge (rising/falling) has been detected 1 : An active edge (rising/falling) has been detected Read the status bit clears it to 0.

**CR E4h. GPIOA PUSH-PULL/OD Register**

Location: Address E4h

Attribute: Read/Write

Power Well: VCC

Reset by: GPAX\_MRST

Default : 01h

Size: 8 bits

BIT	READ / WRITE	DESCRIPTION
7~1	Reversed	
0	R / W	GPA Push-Pull/OD select 0:Push-Pull 1:Open Drain

**CR E5h. GPIOA Multi-function Select Register**

Attribute: Read/Write

Power Well: VCC

Reset by: GPAX\_MRST

Default : 00h

BIT	READ / WRITE	DESCRIPTION
7-1	Reversed	
0	R / W	0:GPIOA0 1:GPIOA0 → WDIO

## 20. SPECIFICATIONS

### 20.1 Absolute Maximum Ratings

SYMBOL	PARAMETER	RATING	UNIT
3VCC	Power Supply Voltage (3.3V)	-0.3 to 3.6	V
VI	Input Voltage	-0.3 to 3VCC+0.3	V
	Input Voltage (5V tolerance)	-0.3 to 5.5	V
TA	Operating Temperature	0 to +70	°C
TSTG	Storage Temperature	-55 to +150	°C

**Note:** Exposure to conditions beyond those listed under Absolute Maximum Ratings may adversely affect the life and reliability of the device.

### 20.2 DC CHARACTERISTICS

( $T_A = 0^\circ\text{C}$  to  $+70^\circ\text{C}$ ,  $V_{DD} = 3.3\text{V} \pm 5\%$ ,  $V_{SS} = 0\text{V}$ )

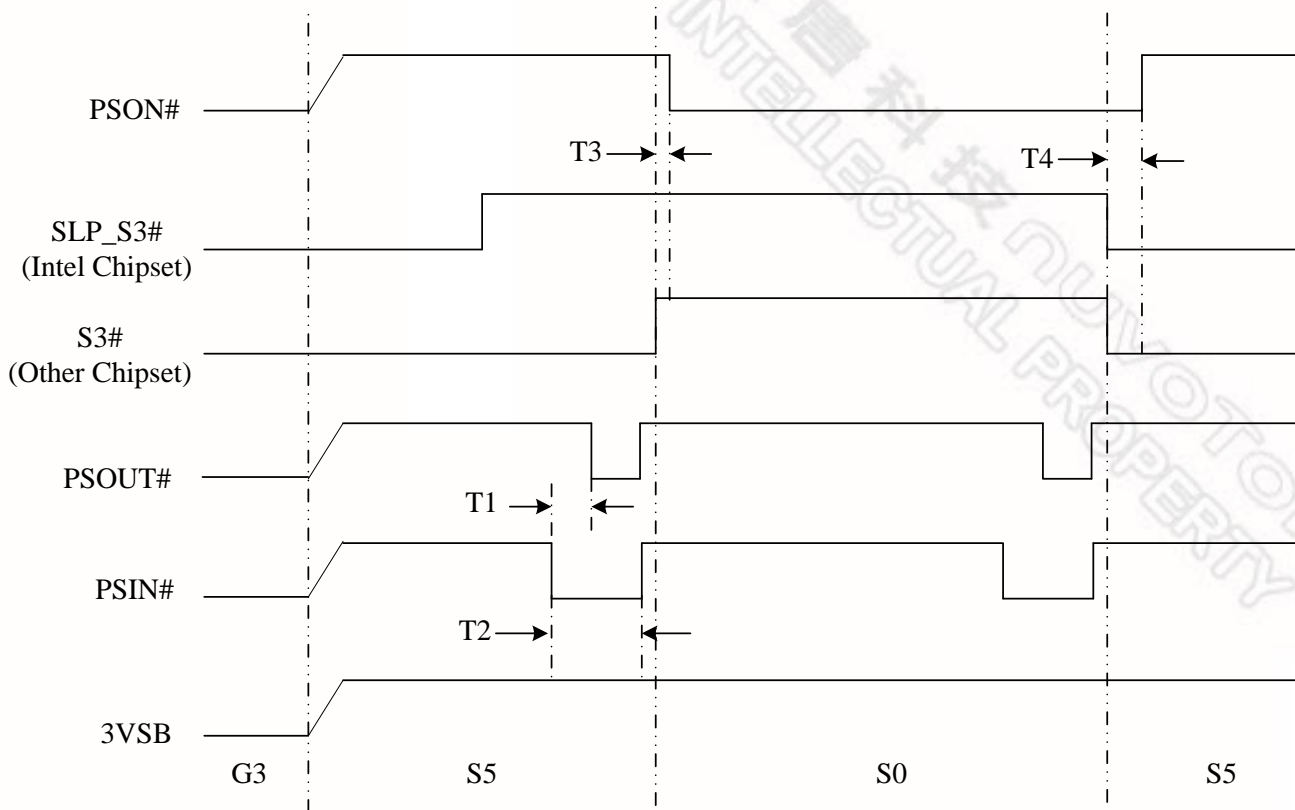
PARAMETER	SYM	MIN	TYP	MAX.	UNIT	CONDITIONS
Battery Quiescent Current	IBAT			2.4	$\mu\text{A}$	$V_{BAT} = 2.5\text{V}$
ACPI Stand-by Power Supply Quiescent Current	I <sub>VS</sub> B			8.0	mA	$V_{SB} = 3.3\text{V}$ , All ACPI pins are not connected.
VCC Quiescent Current	I <sub>VCC</sub>			25	mA	$V_{SB} = 3.3\text{V}$ $V_{CC} (\text{AVCC}) = 3.3\text{V}$ LRESET = High IOCLK = 48MHz CASEOPEN Pull-Up to $V_{BAT}$
V <sub>tt</sub> Quiescent Current	I <sub>VTT</sub>			1	mA	$V_{SB} = 3.3\text{V}$ $V_{CC} (\text{AVCC}) = 3.3\text{V}$ $V_{TT} = 1.2\text{V}$ LRESET = High IOCLK = 48MHz CASEOPEN Pull-Up to $V_{BAT}$
<b>AIN – Analog input</b>						
<b>AOUT – Analog output</b>						
<b>IN<sub>tp3</sub> – 3.3V TTL-level input pin</b>						

PARAMETER	SYM	MIN	TYP	MAX.	UNIT	CONDITIONS
Input Low Voltage	V <sub>IL</sub>			0.8	V	
Input High Voltage	V <sub>IH</sub>	2.0			V	
Input High Leakage	I <sub>LIH</sub>			+10	μA	V <sub>IN</sub> = 3.3V
Input Low Leakage	I <sub>LIL</sub>			-10	μA	V <sub>IN</sub> = 0 V
<b>IN<sub>tsp3</sub> – 3.3V TTL-level, Schmitt-trigger input pin</b>						
Input Low Threshold Voltage	V <sub>t-</sub>	0.5	0.8	1.1	V	V <sub>CC</sub> = 3.3 V
Input High Threshold Voltage	V <sub>t+</sub>	1.6	2.0	2.4	V	V <sub>CC</sub> = 3.3 V
Hysteresis	V <sub>TH</sub>	0.5	1.2		V	V <sub>CC</sub> = 3.3 V
Input High Leakage	I <sub>LIH</sub>			+10	μA	V <sub>IN</sub> = 3.3 V
Input Low Leakage	I <sub>LIL</sub>			-10	μA	V <sub>IN</sub> = 0 V
<b>IN<sub>gp5</sub> – 5V GTL-level input pin</b>						
Input Low Voltage	V <sub>IL</sub>		0.72		V	
Input High Voltage	V <sub>IH</sub>		0.72		V	
Input High Leakage	I <sub>LIH</sub>			+10	μA	V <sub>IN</sub> = 3.3V
Input Low Leakage	I <sub>LIL</sub>			-10	μA	V <sub>IN</sub> = 0 V
<b>IN<sub>tp5</sub> – 5V TTL-level input pin</b>						
Input Low Voltage	V <sub>IL</sub>			0.8	V	
Input High Voltage	V <sub>IH</sub>	2.0			V	
Input High Leakage	I <sub>LIH</sub>			+10	μA	V <sub>IN</sub> = 3.3V
Input Low Leakage	I <sub>LIL</sub>			-10	μA	V <sub>IN</sub> = 0 V
<b>IN<sub>tscup5</sub> – 5V TTL-level, Schmitt-trigger input buffer with controllable pull-up</b>						
Input Low Threshold Voltage	V <sub>t-</sub>	0.5	0.8	1.1	V	V <sub>CC</sub> = 3.3 V
Input High Threshold Voltage	V <sub>t+</sub>	1.6	2.0	2.4	V	V <sub>CC</sub> = 3.3 V
Hysteresis	V <sub>TH</sub>	0.5	1.2		V	V <sub>CC</sub> = 3.3 V
Input High Leakage	I <sub>LIH</sub>			+10	μA	V <sub>IN</sub> = 3.3 V
Input Low Leakage	I <sub>LIL</sub>			-10	μA	V <sub>IN</sub> = 0 V
<b>IN<sub>tsp5</sub> – 5V TTL-level, Schmitt-trigger input pin</b>						
Input Low Threshold Voltage	V <sub>t-</sub>	0.5	0.8	1.1	V	V <sub>CC</sub> = 3.3 V
Input High Threshold Voltage	V <sub>t+</sub>	1.6	2.0	2.4	V	V <sub>CC</sub> = 3.3 V
Hysteresis	V <sub>TH</sub>	0.5	1.2		V	V <sub>CC</sub> = 3.3 V
Input High Leakage	I <sub>LIH</sub>			+10	μA	V <sub>IN</sub> = 3.3 V
Input Low Leakage	I <sub>LIL</sub>			-10	μA	V <sub>IN</sub> = 0 V
<b>IN<sub>tdp5</sub> – 5V TTL-level input pin with internal pull-down resistor</b>						
Input Low Voltage	V <sub>IL</sub>			0.8	V	
Input High Voltage	V <sub>IH</sub>	2.0			V	

PARAMETER	SYM	MIN	TYP	MAX.	UNIT	CONDITIONS
Input High Leakage	ILIH			+10	μA	V <sub>IN</sub> = 3.3V
Input Low Leakage	ILIL			-10	μA	V <sub>IN</sub> = 0 V
<b>O8 – Output pin with 8mA source-sink capability</b>						
Output Low Voltage	VOL			0.4	V	I <sub>OL</sub> = 8 mA
Output High Voltage	VOH	2.4			V	I <sub>OH</sub> = -8 mA
<b>OD8 – Open-drain output pin with 8mA sink capability</b>						
Output Low Voltage	VOL			0.4	V	I <sub>OL</sub> = 8 mA
<b>O12 – Output pin with 12mA source-sink capability</b>						
Output Low Voltage	VOL			0.4	V	I <sub>OL</sub> = 12 mA
Output High Voltage	VOH	2.4			V	I <sub>OH</sub> = -12 mA
<b>OD12 – Open-drain output pin with 12mA sink capability</b>						
Output Low Voltage	VOL			0.4	V	I <sub>OL</sub> = 12 mA
<b>O24 – Output pin with 24mA source-sink capability</b>						
Output Low Voltage	VOL			0.4	V	I <sub>OL</sub> = 24 mA
Output High Voltage	VOH	2.4			V	I <sub>OH</sub> = -24 mA
<b>OD24 – Open-drain output pin with 24mA sink capability</b>						
Output Low Voltage	VOL			0.4	V	I <sub>OL</sub> = 24 mA
<b>O48 – Output pin with 48mA source-sink capability</b>						
Output Low Voltage	VOL			0.4	V	I <sub>OL</sub> = 48 mA
Output High Voltage	VOH	2.4			V	I <sub>OH</sub> = -48 mA
<b>OD48 – Open-drain output pin with 48mA sink capability</b>						
Output Low Voltage	VOL			0.4	V	I <sub>OL</sub> = 48 mA
<b>I/O<sub>V3</sub> – Bi-direction pin with source capability of 6 mA and sink capability of 1 mA for INTEL® PEIC</b>						
Input Low Voltage	V <sub>IL</sub>	0.275*V <sub>tt</sub>		0.5*V <sub>tt</sub>	V	
Input High Voltage	V <sub>IH</sub>	0.55*V <sub>tt</sub>		0.725*V <sub>tt</sub>	V	
Output Low Voltage	V <sub>OL</sub>			0.25*V <sub>tt</sub>	V	
Output High Voltage	V <sub>OH</sub>	0.75*V <sub>tt</sub>			V	
Hysteresis	V <sub>Hys</sub>	0.1*V <sub>tt</sub>			V	
<b>O12cu – Output pin 12mA source-sink capability with controllable pull-up</b>						
Output Low Voltage	VOL			0.4	V	I <sub>OL</sub> = 12 mA
Output High Voltage	VOH	2.4			V	I <sub>OH</sub> = -12 mA
<b>OD12cu – Open-drain 12mA sink capability output pin with controllable pull-up</b>						
Output Low Voltage	VOL			0.4	V	I <sub>OL</sub> = 12 mA

## 21. AC CHARACTERISTICS

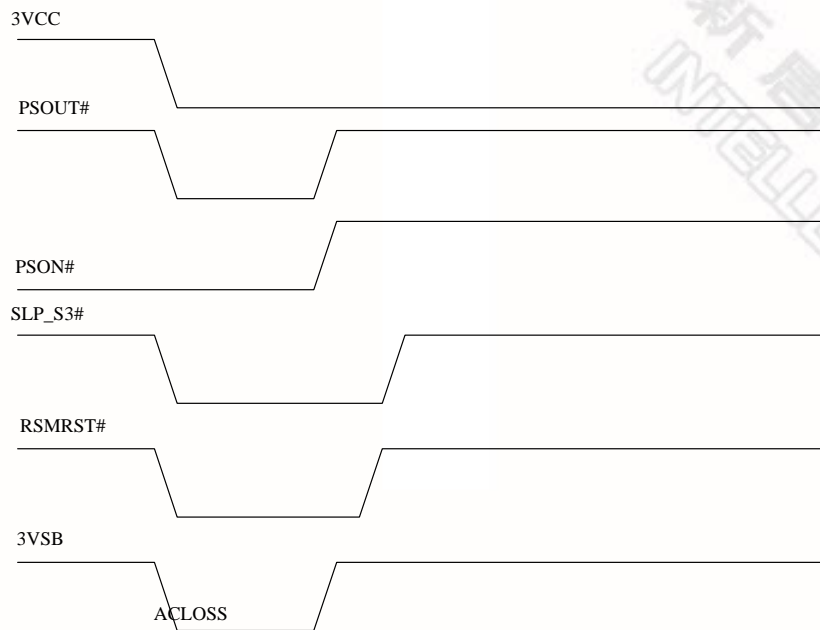
### 21.1 Power On / Off Timing



	T1	T2	T3	T4
<b>IDEAL TIMING</b>	64ms	Over 64ms at least	< 10ns	32ms

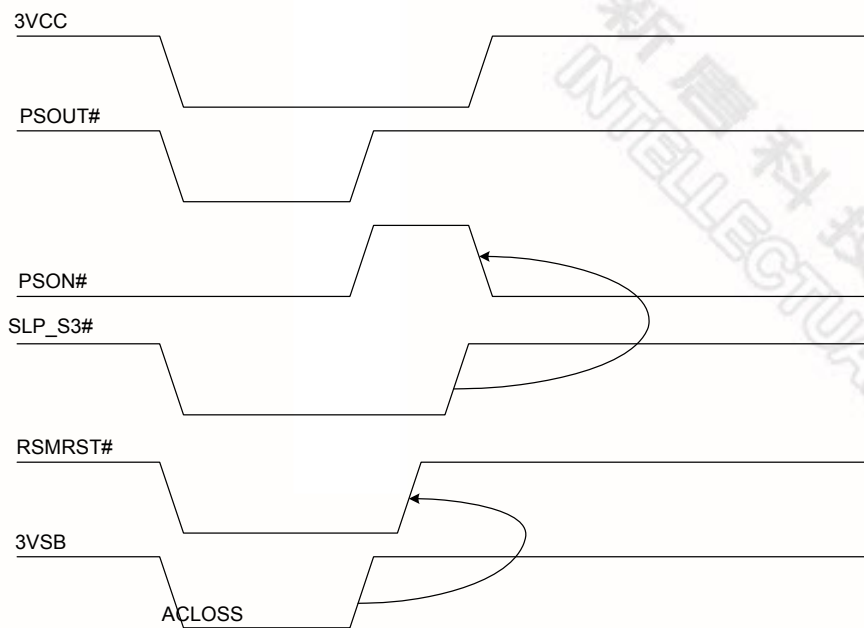
### 21.2 AC Power Failure Resume Timing

(1) Logical Device A, CR [E4h] bits [6:5] =00 means "OFF" state  
 ("OFF" means the system is always turned off after the AC power loss recovered.)



新唐科技 NUVOTON  
 INTELLECTUAL PROPERTY

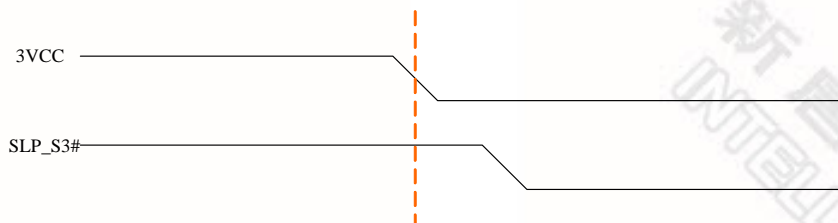
(2) Logical Device A, CR [E4h] bits [6:5]=01 means "ON" state.  
 ("ON" means the system is always turned on after AC power loss recovered.)



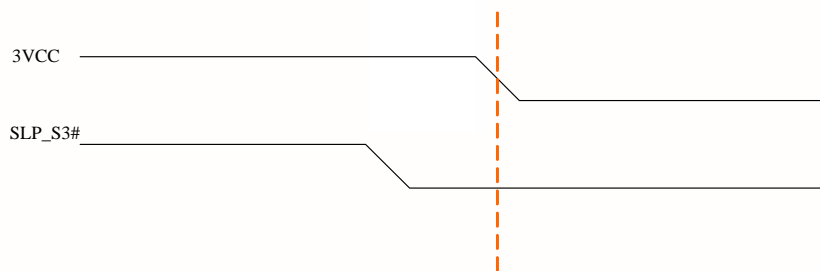
新唐科技 NUVOTON  
 INTELLECTUAL PROPERTY

**\*\* What's the definition of former state at AC power failure?**

- 1) The previous state is "ON"  
VCC falls to 2.6V and SLP\_S3# keeps at VIH 2.0V



- 2) The previous state is "OFF"  
VCC fall to 2.6V and SLP\_S3# keeps at VIL 0.8V



To ensure that VCC does not fall faster than VSB in various ATX Power Supplies, the NCT5577D adds the option of "user define mode" for the pre-defined state before AC power failure. BIOS can set the pre-defined state for the system to be "On" or "Off". According to this setting, the system chooses the state after the AC power recovery.

Please refer to the descriptions of bit 6~5 of CR E4h and bit 4 of CR E6h in Logical Device A.

**CR E4h**

BIT	READ/WRITE	DESCRIPTION
6~5	R / W	Power-loss control bits => (VBAT) 0 0: System always turns off when it returns from power-loss state. 0 1: System always turns on when it returns from power-loss state. 1 0: System turns off / on when it returns from power-loss state depending on the state before the power loss. 1 1: User defines the resuming state before power loss.(refer to Logic Device A, CRE6[4])

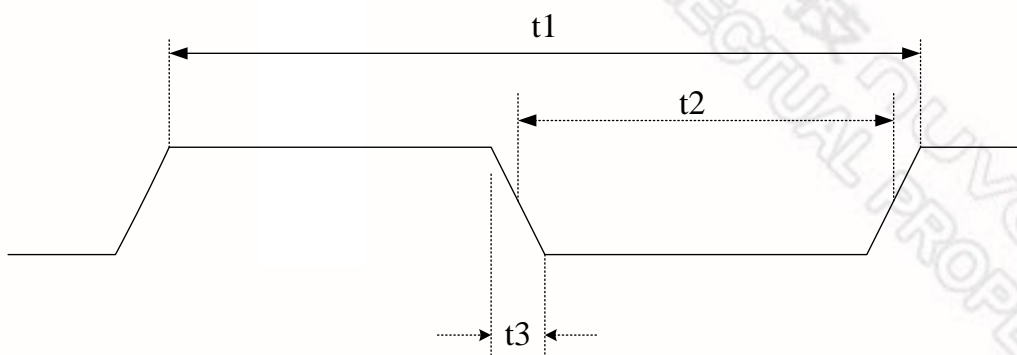
**CR E6h**

BIT	READ/WRITE	DESCRIPTION
4	R / W	Power loss Last State Flag. (VBAT) 0: ON 1: OFF



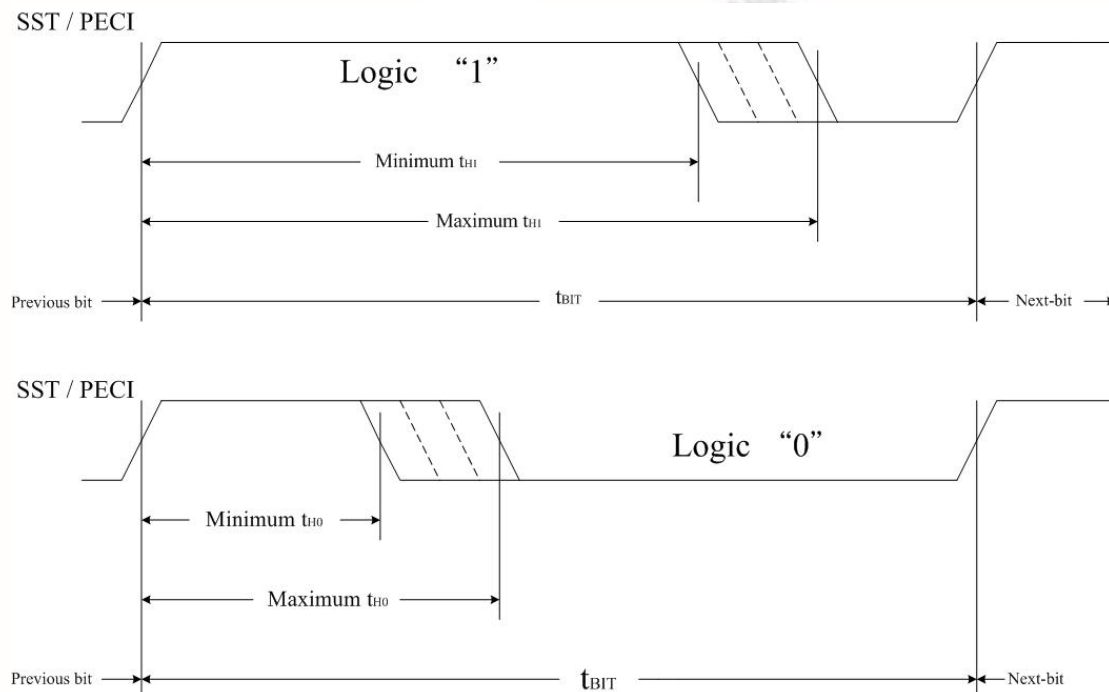
### 21.3 Clock Input Timing

PARAMETER	48MHZ / 24MHZ		UNIT
	MIN	MAX	
Cycle to cycle jitter		300/500	ps
Duty cycle	45	55	%



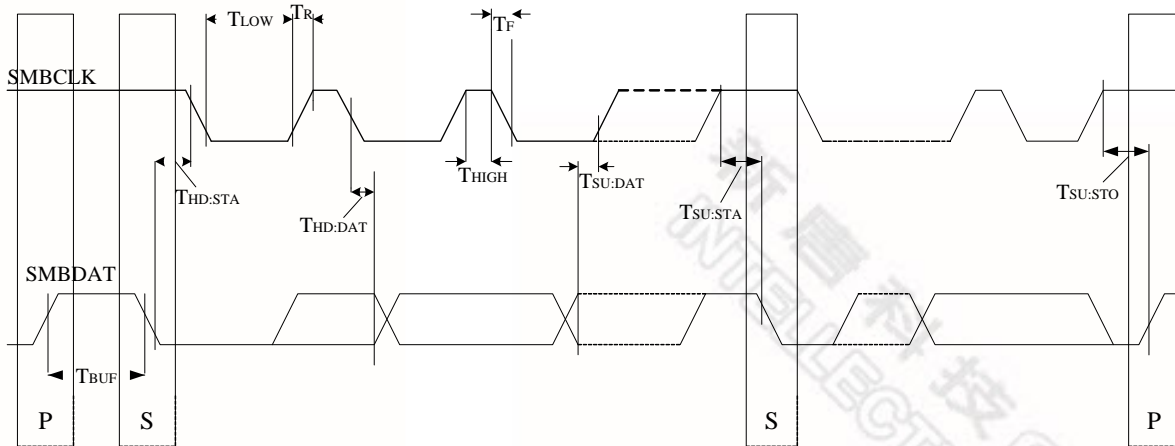
PARAMETER	DESCRIPTION	48MHZ / 24MHZ			UNIT
		MIN	TYP	MAX	
t1	Clock cycle time		20.8 / 41.7		ns
t2	Clock high time/low time	9 / 19	10 / 21		ns
t3	Clock rising time/falling time (0.4V~2.4V)			3	ns

### 21.4 PECl Timing



SYMBOL		MIN	TYP	MAX	UNITS
$t_{BIT}$	Client	0.495		500	$\mu s$
	Originator	0.495		250	
$t_{H1}$		0.6	3/4	0.8	$\times t_{BIT}$
$t_{H0}$		0.2	1/4	0.4	$\times t_{BIT}$

### 21.5 SMBus Timing

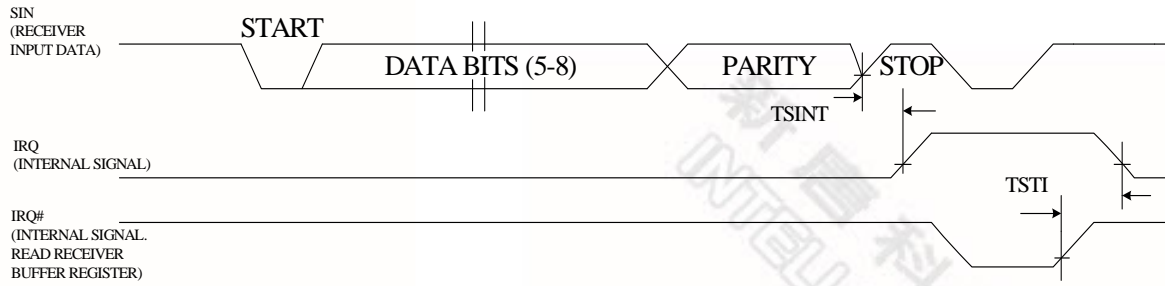


21.6 UART

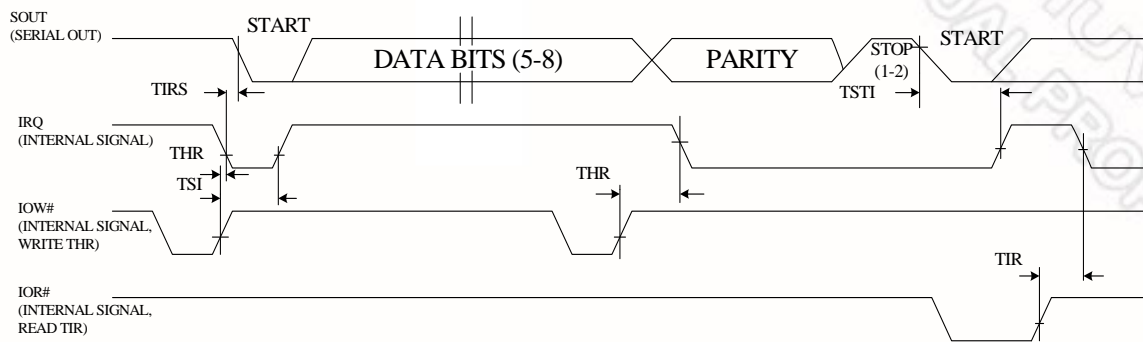
PARAMETER	SYMBOL	TEST CONDITIONS	MIN.	MAX.	UNIT
Delay from Stop to Set Interrupt	TSINT		9/16		Baud Rate
Delay from $\overline{\text{IOR}}$ Reset Interrupt	TRINT		9	1000	nS
Delay from Initial IRQ Reset to Transmit Start	TIRS		1/16	8/16	Baud Rate
Delay from to Reset interrupt	THR			175	nS
Delay from Initial $\overline{\text{IOW}}$ to interrupt	TSI		9/16	16/16	Baud Rate
Delay from Stop to Set Interrupt	TSTI			8/16	Baud Rate
Delay from $\overline{\text{IOR}}$ to Reset Interrupt	TIR		8	250	nS
Delay from $\overline{\text{IOR}}$ to Output	TMWO		6	200	nS
Set Interrupt Delay from Modem Input	TSIM		18	250	nS
Reset Interrupt Delay from $\overline{\text{IOR}}$	TRIM		9	250	nS
Baud Divisor	N	100 pF Loading		$2^{16}-1$	

UART Receiver Timing

### Receiver Timing



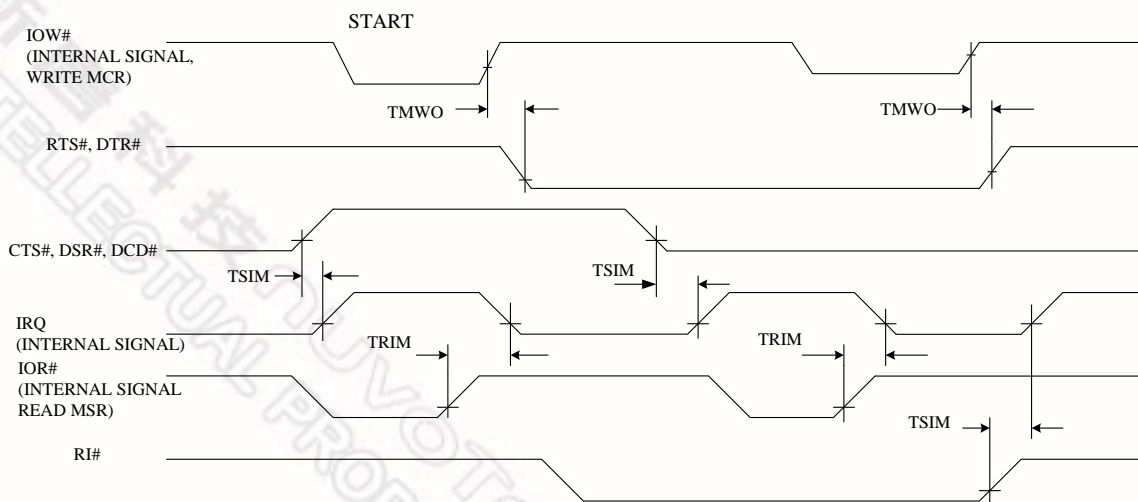
### UART Transmitter Timing



## 21.7 Modem Control Timing

### Modem Control Timing

#### MODEM Control Timing

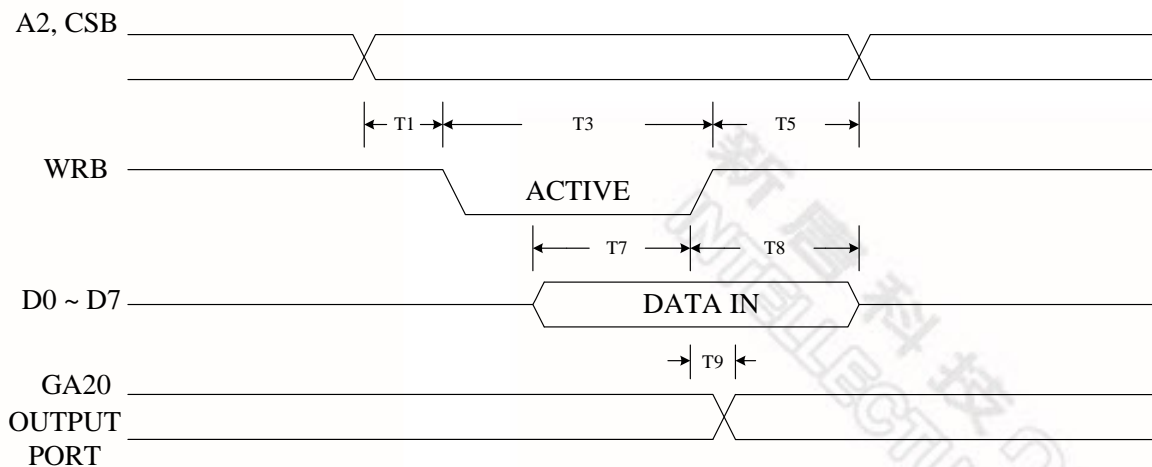


### 21.8 KBC Timing Parameters

NO.	DESCRIPTION	MIN.	MAX.	UNIT
T1	Address Setup Time from WRB	0		nS
T2	Address Setup Time from RDB	0		nS
T3	WRB Strobe Width	20		nS
T4	RDB Strobe Width	20		nS
T5	Address Hold Time from WRB	0		nS
T6	Address Hold Time from RDB	0		nS
T7	Data Setup Time	50		nS
T8	Data Hold Time	0		nS
T9	Gate Delay Time from WRB	10	30	nS
T10	RDB to Drive Data Delay		40	nS
T11	RDB to Floating Data Delay	0	20	nS
T12	Data Valid After Clock Falling (SEND)		4	μS
T13	K/B Clock Period	20		μS
T14	K/B Clock Pulse Width	10		μS
T15	Data Valid Before Clock Falling (RECEIVE)	4		μS
T16	K/B ACK After Finish Receiving	20		μS
T19	Transmit Timeout		2	mS
T20	Data Valid Hold Time	0		μS
T21	Input Clock Period (6–16 Mhz)	63	167	nS
T22	Duration of CLK inactive	30	50	μS
T23	Duration of CLK active	30	50	μS
T24	Time from inactive CLK transition, used to time when the auxiliary device sample DATA	5	25	μS
T25	Time of inhibit mode	100	300	μS
T26	Time from rising edge of CLK to DATA transition	5	T28-5	μS
T27	Duration of CLK inactive	30	50	μS
T28	Duration of CLK active	30	50	μS
T29	Time from DATA transition to falling edge of CLK	5	25	μS

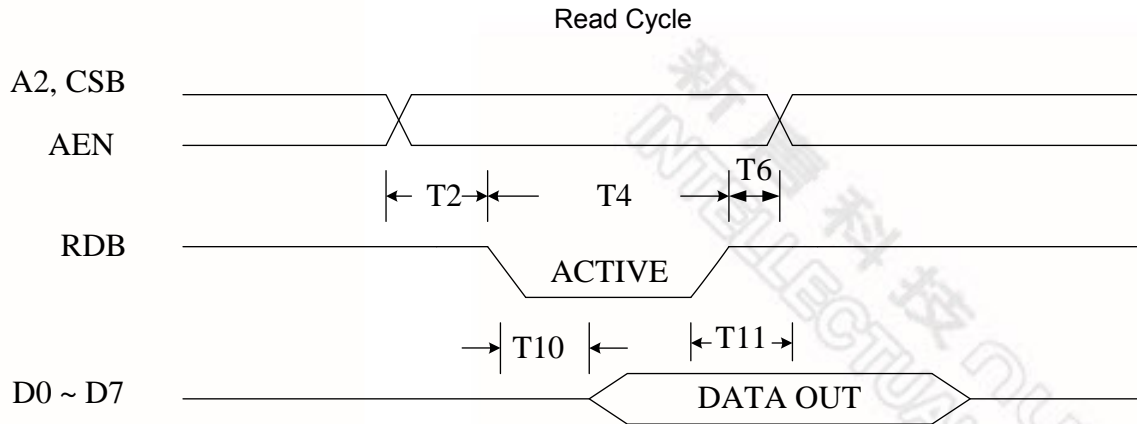
#### 21.8.1 Writing Cycle Timing

Write Cycle Timing



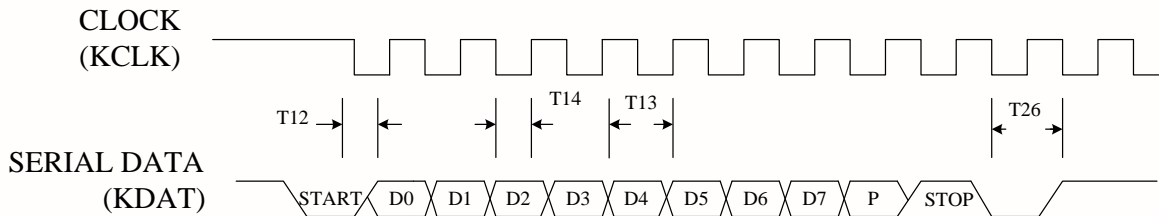
新唐科技 NUVOTON  
INTELLECTUAL PROPERTY

21.8.2 Read Cycle Timing



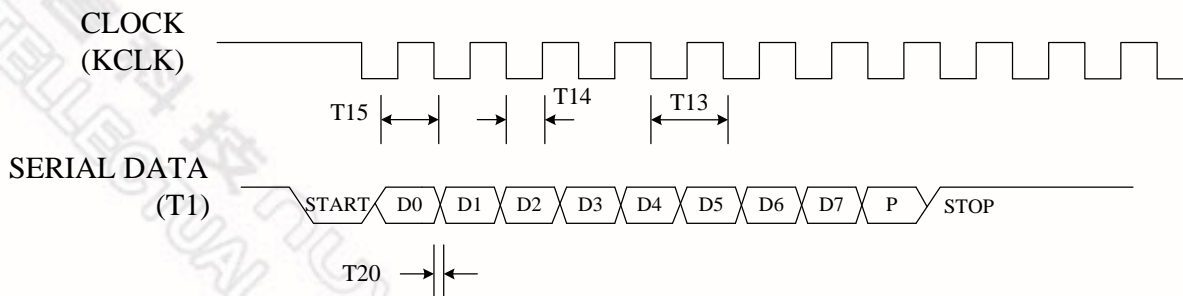
21.8.3 Send Data to K/B

Send Data to K/B



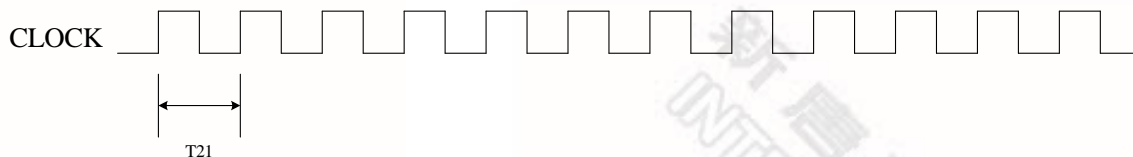
21.8.4 Receive Data from K/B

Receive Data from K/B



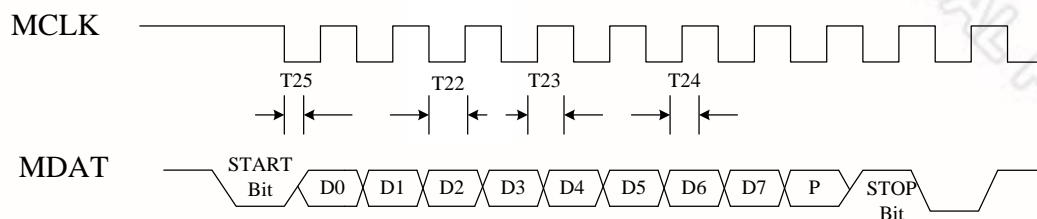
### 21.8.5 Input Clock

Input Clock



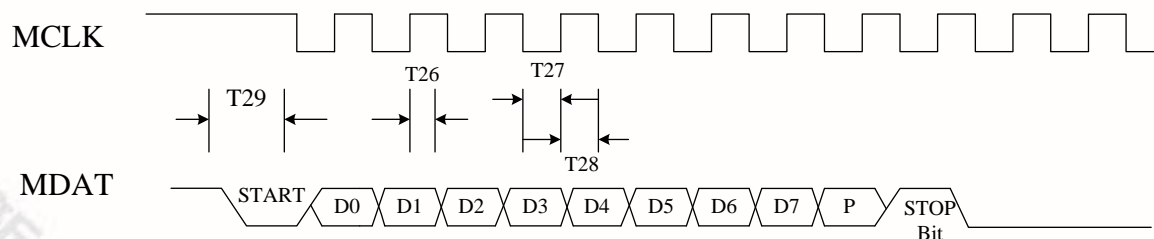
### 21.8.6 Send Data to Mouse

Send Data to Mouse



### 21.8.7 Receive Data from Mouse

Receive Data from Mouse





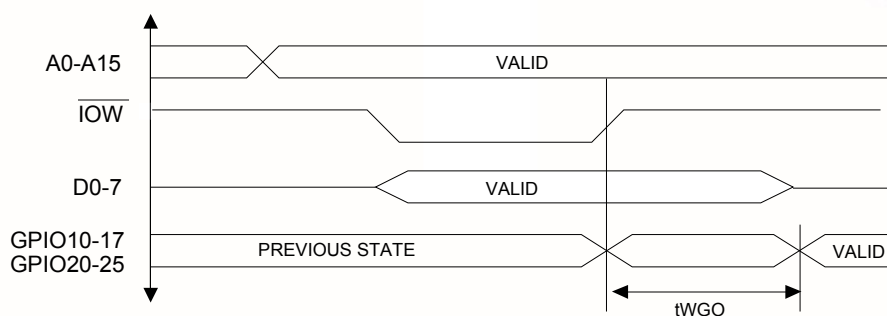
### 21.9 GPIO Timing Parameters

SYMBOL	PARAMETER	MIN.	MAX.	UNIT
$t_{WGO}$	Write data to GPIO update		300(Note 1)	ns
$t_{SWP}$	SWITCH pulse width	16		msec

Note: Refer to Microprocessor Interface Timing for Read Timing.

#### 21.9.1 GPIO Write Timing

GPIO Write Timing diagram



## 22. TOP MARKING SPECIFICATIONS



1st line: Nuvoton logo

2nd line: part number: NCT5577D (Green package)

3rd line: wafer production series lot number: **E902B006**

4th line: tracking code 010G9AFA

**010**: packages made in 2010, week 10

**G**: assembly house ID; G means GR, A means ASE, etc

**9**: code version; 9 means code 009

**A**: IC revision; A means version A; B means version B, and C means version C

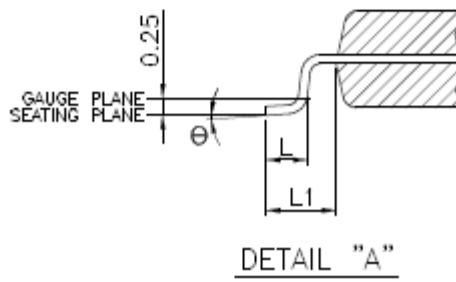
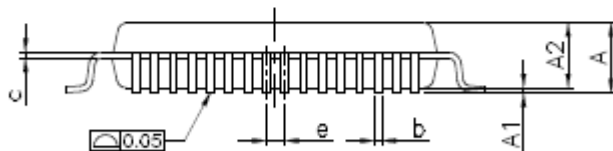
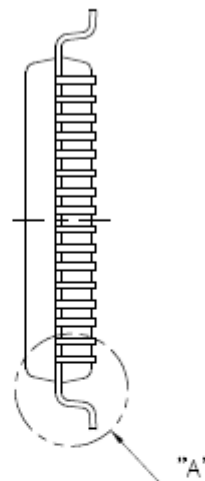
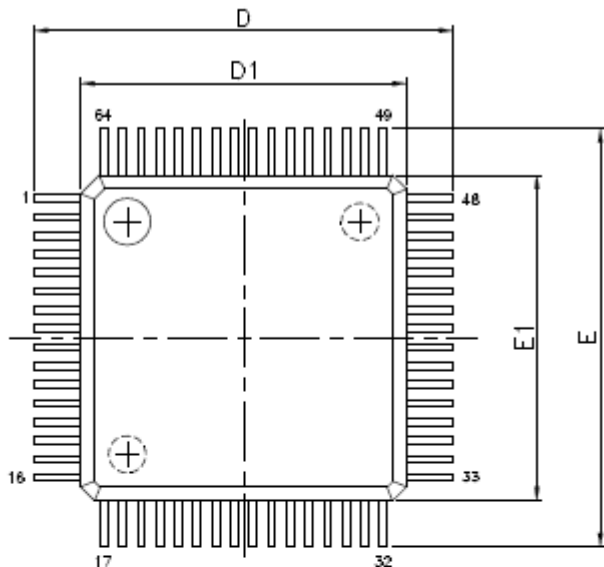
**FA**: Nuvoton internal use

**23. ORDERING INFORMATION**

PART NUMBER	PACKAGE TYPE	PRODUCTION FLOW
NCT5577D	64Pin LQFP (Green package)	Commercial, 0°C to +70°C

新唐科技 NUVOTON  
INTELLECTUAL PROPERTY

24. PACKAGE SPECIFICATION



新唐科技 NUVOTON  
INTELLECTUAL PROPERTY

VARIATIONS (ALL DIMENSIONS SHOWN IN MM)

SYMBOLS	MIN.	NOM.	MAX.
A	—	—	1.60
A1	0.05	—	0.15
A2	1.35	1.40	1.45
b	0.13	0.18	0.23
c	0.09	—	0.20
D	9.00 BSC		
D1	7.00 BSC		
e	0.40 BSC		
E	9.00 BSC		
E1	7.00 BSC		
L	0.45	0.60	0.75
L1	1.00 REF		
θ	0°	3.5°	7°

64-pin (LQFP, 7x7x1.4mm)

新唐科技 NUVOTON  
INTELLECTUAL PROPERTY

新唐科技 NUVOTON  
INTELLECTUAL PROPERTY

**25. REVISION HISTORY**

<b>VERSION</b>	<b>DATE</b>	<b>PAGE</b>	<b>DESCRIPTION</b>
0.6	06/09/2010	N.A.	Preliminary datasheet
0.7	07/02/2010	N.A.	Re-define pin configuration
1.0	02/08/2011	N.A.	Update the contents.
1.1	04/13/2011	N.A.	Update the contents.

### Important Notice

Nuvoton Products are neither intended nor warranted for usage in systems or equipment, any malfunction or failure of which may cause loss of human life, bodily injury or severe property damage. Such applications are deemed, "Insecure Usage".

Insecure usage includes, but is not limited to: equipment for surgical implementation, atomic energy control instruments, airplane or spaceship instruments, the control or operation of dynamic, brake or safety systems designed for vehicular use, traffic signal instruments, all types of safety devices, and other applications intended to support or sustain life.

All Insecure Usage shall be made at customer's risk, and in the event that third parties lay claims to Nuvoton as a result of customer's Insecure Usage, customer shall indemnify the damages and liabilities thus incurred by Nuvoton.

---

Please note that all data and specifications are subject to change without notice.  
All the trademarks of products and companies mentioned in this datasheet belong to their respective owners.