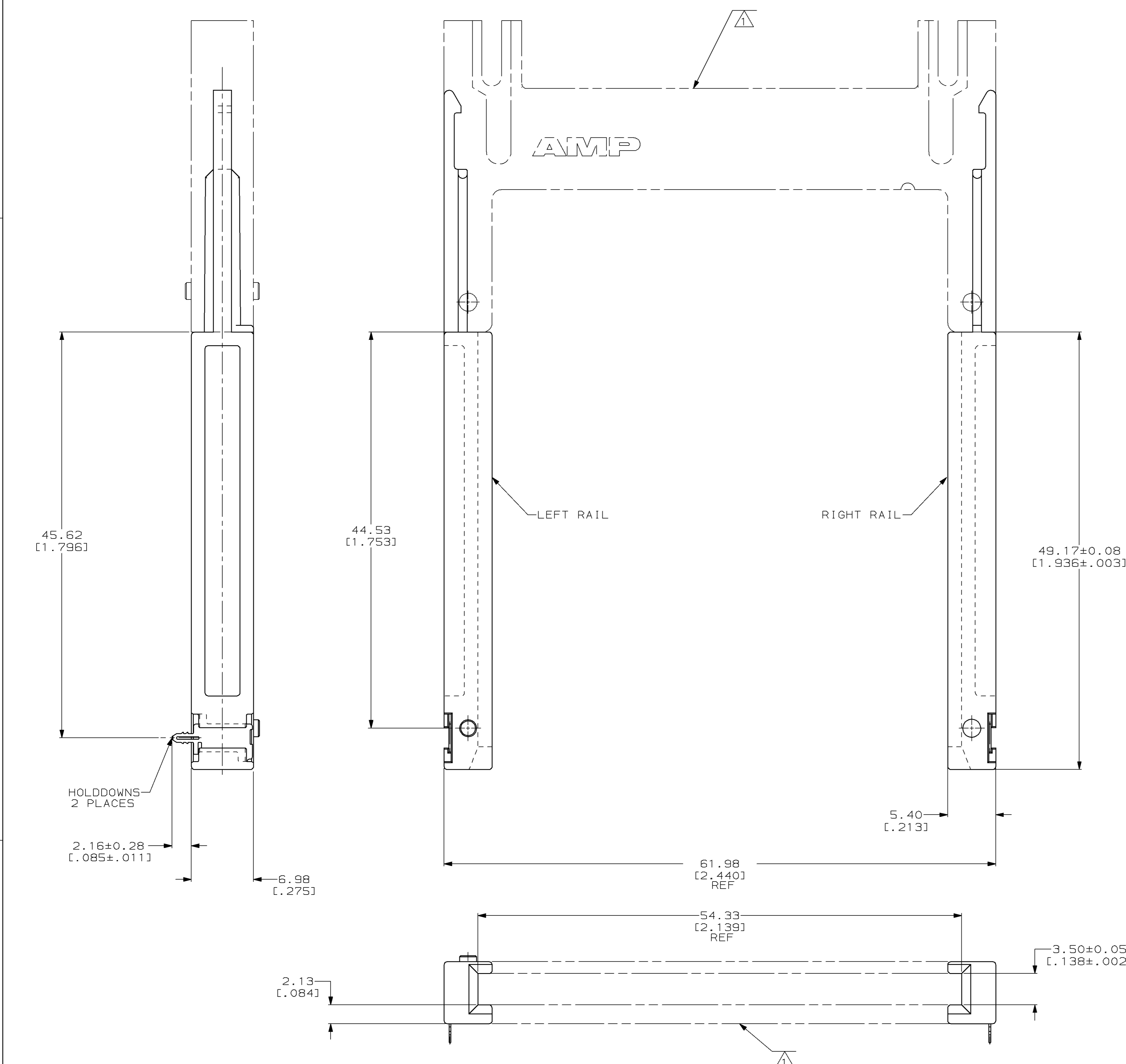
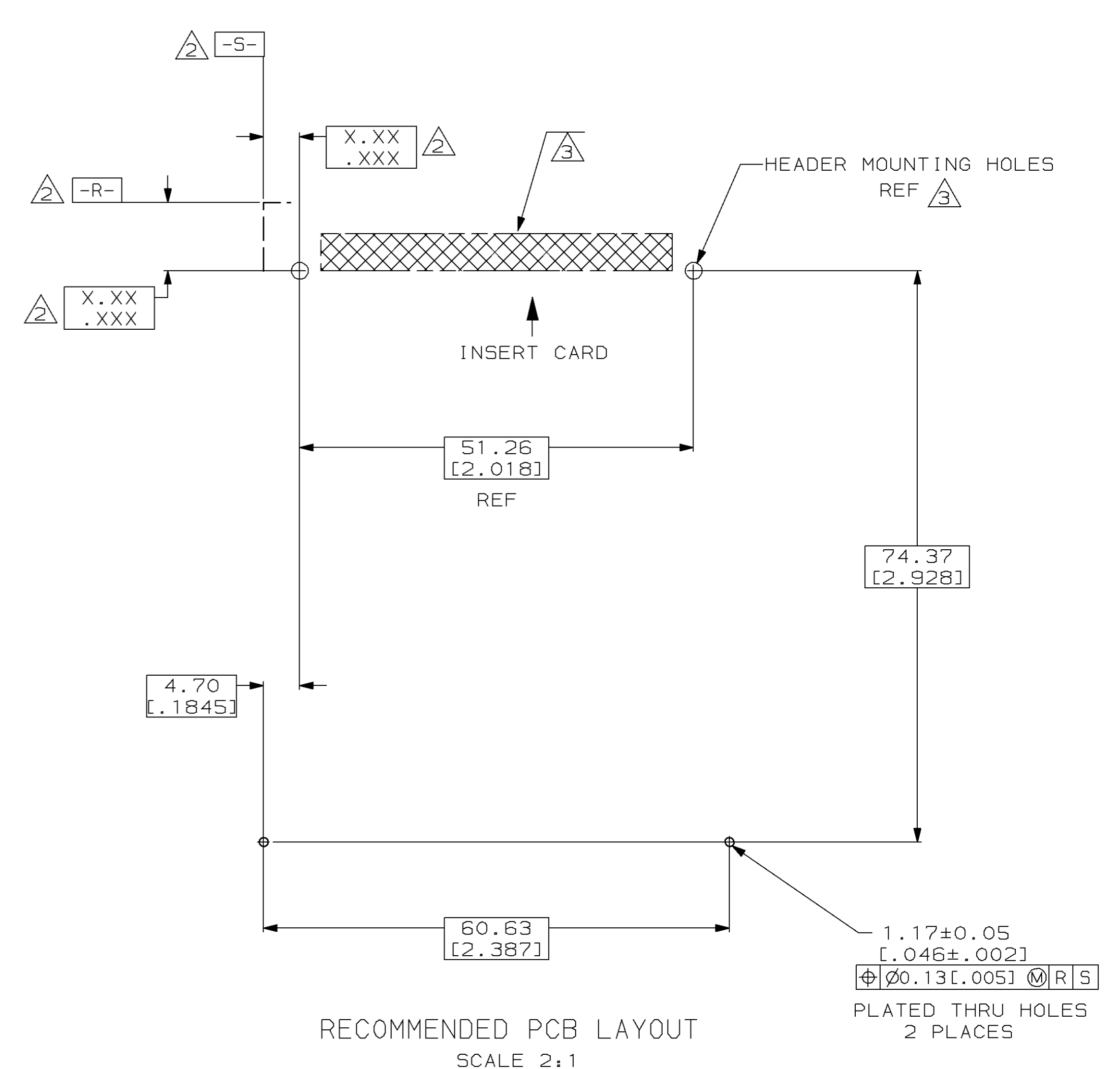


LOC		DIST		ZONE		LTR		REVISIONS			
AD	39	P	F					DESCRIPTION	DATE	APPD	
								0	RELEASED PER PPR	3/8/93	BE



- ⚠ SMT OR THRU-HOLE HEADER ASSY NOT SUPPLIED AND MUST BE ORDERED SEPERATELY. CONTACT AMP INCORPORATED FOR HEADER PART NUMBER
- ⚠ DATUMS AND BASIC DIMENSIONS ESTABLISHED BY CUSTOMER
- ⚠ FOR HEADER PC BOARD LAYOUT SEE APPROPRIATE HEADER ASSEMBLY



RECOMMENDED PCB LAYOUT  
SCALE 2:1

DESCRIPTION	PART NO
RIGHT GUIDE RAIL WITH HOLDDOWN	535664-2
LEFT GUIDE RAIL WITH HOLDDOWN	535664-1

DO NOT SCALE PRINT. UNLESS SPECIFIED DIMENSIONS IN mm [INCHES] TOLERANCES ON: 2 PLC DEC ± 0.13 [0.005] 3 PLC DEC ± - ANGLES ± -	DR 3/8/93 J MOSER	AMP Incorporated Harrisburg, PA 17105-3608
RAIL: LCP - COLOR: BLACK HOLD DOWNS: PHOSPHOR BRONZE	CHK 3/8/93 B ELICKER	
FINISH HOLD DOWNS: TIN	APPD 3/8/93 B ELICKER APPD 3/8/93 B FLINCHBAUGH	
	PRODUCT SPEC	NAME GUIDE RAILS, EXTENDED, WITH THRU-HOLE HOLDDOWNS, AMP MEMORY CARD
	APPLICATION SPEC	SIZE D
	WEIGHT 2.1 GRAMS	CAGE CODE 00779
		DRAWING NO C=535664
		SCALE 4:1
		SHEET 1 OF 1

THIS DRAWING IS A CONTROLLED DOCUMENT FOR AMP INCORPORATED. IT IS SUBJECT TO CHANGE AND THE CONTROLLING ENGINEERING ORGANIZATION SHOULD BE CONTACTED FOR THE LATEST REVISION.