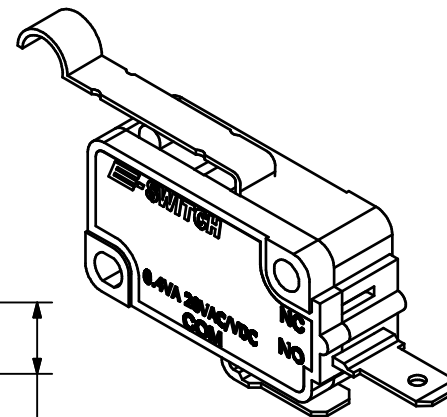
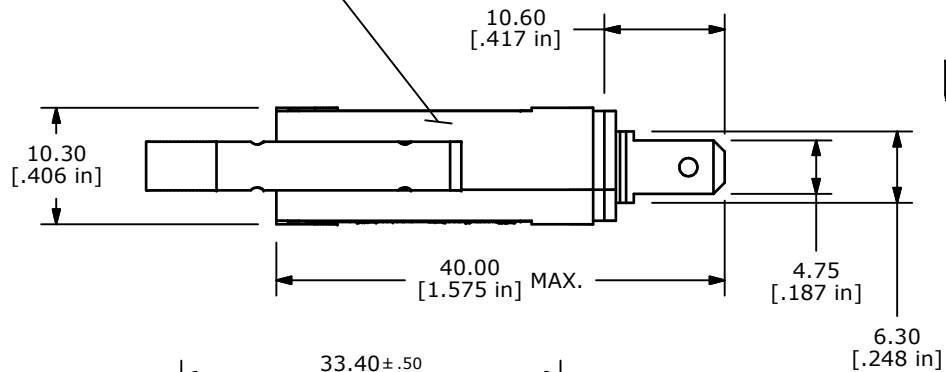
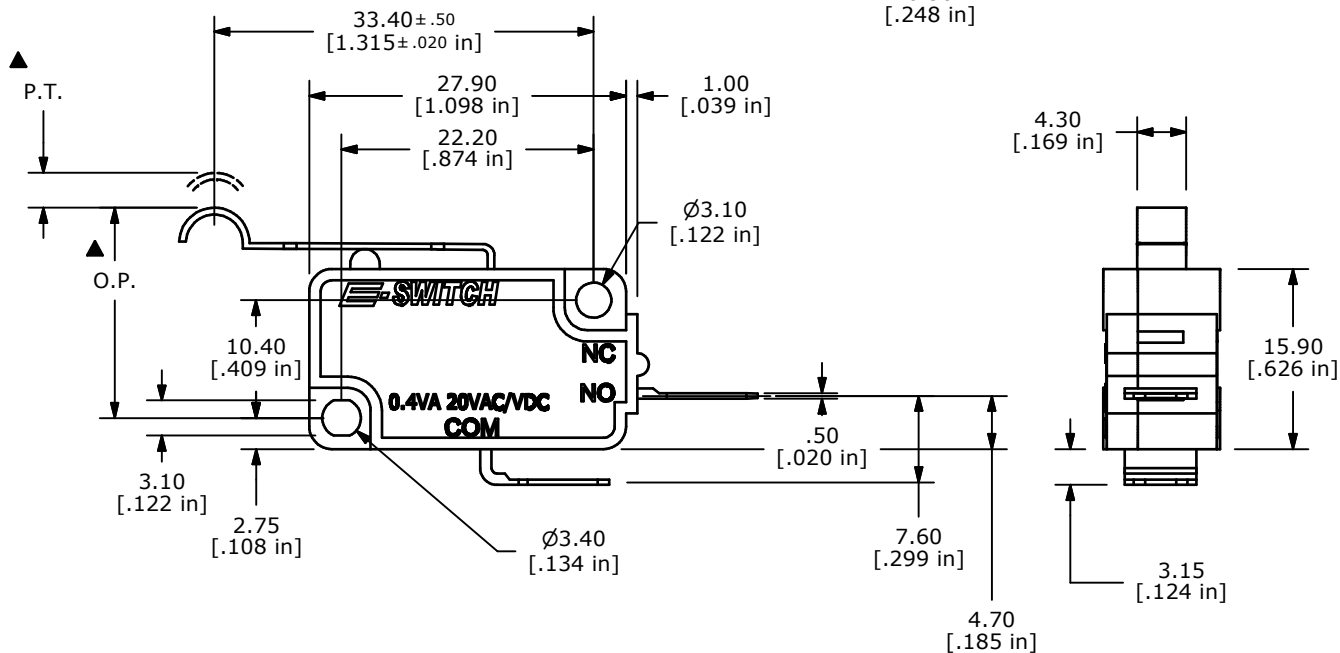
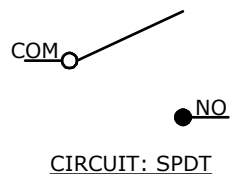


SEE NOTE #13: GOLD CONTACTS INSTALLED INSIDE



O.P. (MM)	P.T. (MM)
19.0 ± 1.5	2.7 MAX.

O.P. = OPERATING POINT
P.T. = PRE-TRAVEL



- NOTES:
1. ALL DIMENSIONS IN MM [INCH]
 2. GENERAL TOLERANCE: X.X=± 0.4
X.XX=± 0.25
 3. RATING: 0.4VA @ 20 VAC OR VDC
 4. OPERATING FORCE: 140 ± 40 GRAMS
 5. OPERATING TEMP: -25°C TO 85°C
 6. ELECTRICAL LIFE: 50,000 CYCLES MIN.
 7. MECHANICAL LIFE: 1,000,000 CYCLES TYP.
 8. INSULATION RESISTANCE: 100 Mega-OHMS MIN.
 9. DIELECTRIC STRENGTH: 1500VAC 1 MINUTE (INITIAL VALUE)
 10. CONTACT RESISTANCE: 100 Milli -OHMS MAX.
 11. ▲ DENOTES CRITICAL PARAMETER.
 12. 2002/95/EC (ROHS) COMPLIANT
 13. CONTACTS: 10 MICRO INCHES MINIMUM GOLD PLATING (P/N Q990000)



TITLE LS0851504F140C1C

A	19021	Released For Production	4/21/10	BLR
REV	PCR NO	DESCRIPTION	DATE	BY

THE INFORMATION CONTAINED IN THIS DOCUMENT IS PROPRIETARY TO E-SWITCH AND IS NOT TO BE COPIED OR TRANSFERRED

SCALE	DATE	DR	DWG	REV
1.5:1	4/21/2010	BLR	Q950089	A