

Components of electronic housing - UM-PRO LID-73N BK - 2200174

Please be informed that the data shown in this PDF Document is generated from our Online Catalog. Please find the complete data in the user's documentation. Our General Terms of Use for Downloads are valid (<http://phoenixcontact.com/download>)

Panel mounting base, Color: black



Product Features

- ✓ Plug-in assembly reduces assembly time and therefore saves costs
- ✓ Mounting close to the edge provides wiring advantages
- ✓ Freely positionable covers offer flexibility
- ✓ Additional foot elements increase mechanical stability
- ✓ PE contacts that can be fitted on both sides ensure safety
- ✓ Additional labeling of PCB with Phoenix Contact PMB module marker carrier (drill hole diameter 4 mm)
- ✓ Temperature range up to 100°C extends the possible fields of application (UM-PRO)
- ✓ Well-designed profile geometry increases the form stability
- ✓ Device communication can be extended by BUS cross contacting
- ✓ Labeling area for standard SK strips or TML marking foil (max. height 6 mm)



Key commercial data

Packing unit	1 pc
Minimum order quantity	10 pc
Weight per Piece (excluding packing)	8.0 GRM
Custom tariff number	39269097
Country of origin	Poland

Technical data

General

Housing type	Panel mounting base
Housing material	Polyamide
Color	black

Components of electronic housing - UM-PRO LID-73N BK - 2200174

Classifications

eCl@ss

eCl@ss 4.0	27180401
eCl@ss 4.1	27180401
eCl@ss 5.0	27180506
eCl@ss 5.1	27180506
eCl@ss 6.0	27400501
eCl@ss 7.0	27182701
eCl@ss 8.0	27182701

ETIM

ETIM 3.0	EC001031
ETIM 4.0	EC000482
ETIM 5.0	EC000721

UNSPSC

UNSPSC 6.01	31261501
UNSPSC 7.0901	31261501
UNSPSC 11	31261501
UNSPSC 12.01	31261501
UNSPSC 13.2	31261501

Approvals

Approvals


Approvals

UL Recognized

Ex Approvals

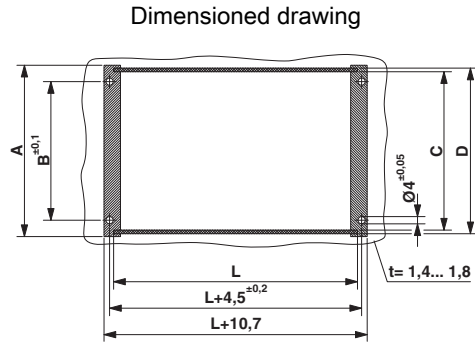
Approvals submitted

Approval details

UL Recognized 

Components of electronic housing - UM-PRO LID-73N BK - 2200174

Drawings



L = length of cover required; dimensions A=76 mm; B=58 mm; C=69 mm; D=73 mm