

5

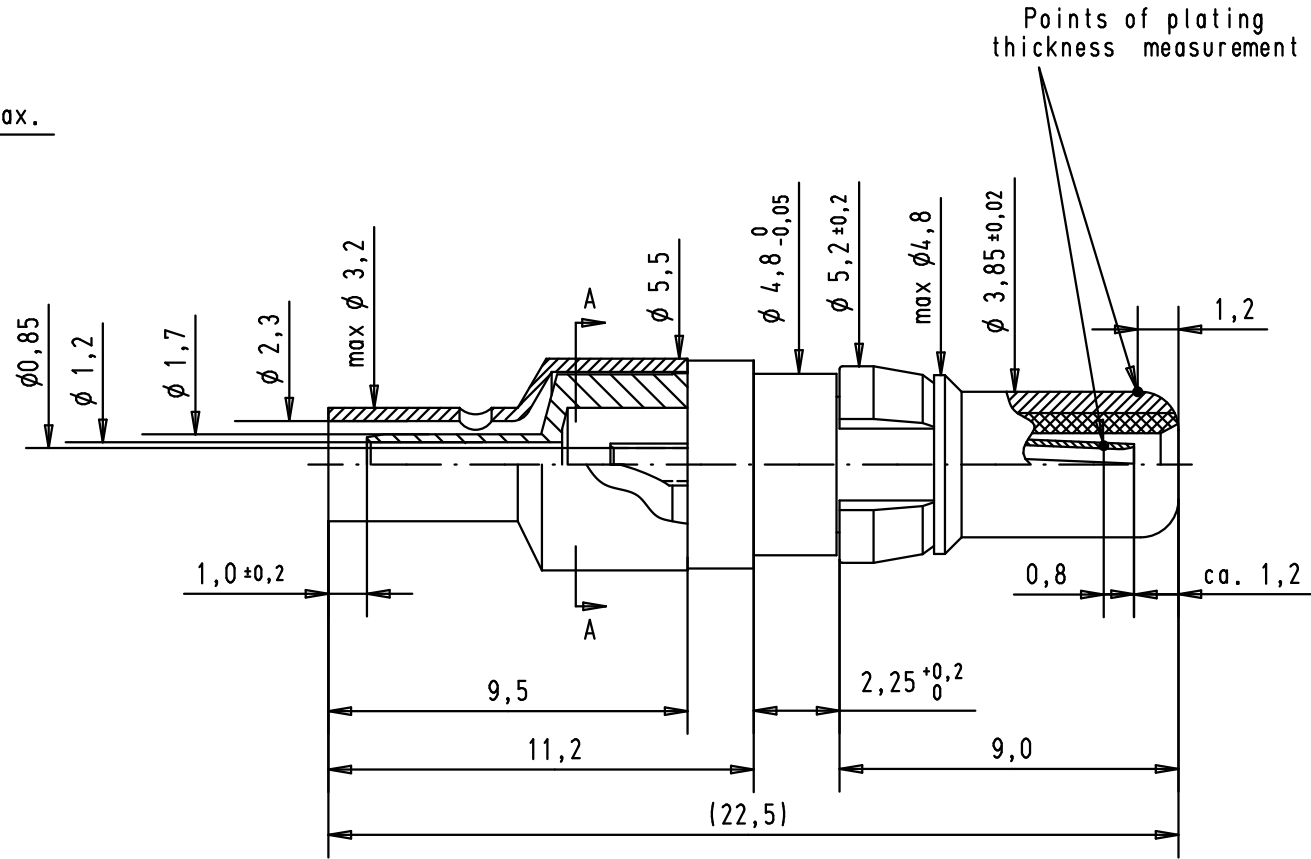
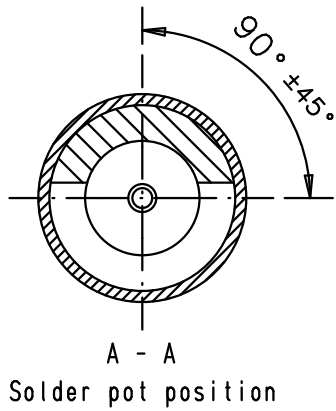
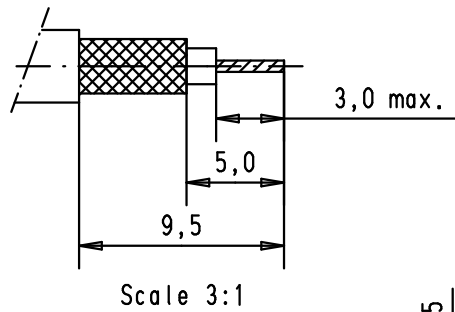
4

3

2



1

Harnessing dimensions for cables: RG178BU BU, RG196AU, RG404U



Crimping tool of outer conductor:
hand tool: 09 99 000 0503 00
die: 09 99 000 0508 00

A

								Dat.		Name		 All Dim. in mm Orig. Size DIN A 4	Male coaxial contact, 50 Ohms, straight cable terminaison inner conductor for solder termination, outer conductor for solder or crimp termination	Maßstab/ Scale 5:1		
								Detail.		21-JUN-02					CV	
								Insp.								
09692817141	Mating area	0,2 μ m Au	0,2 μ m Au													
	Termination area	5 μ m Sn	0,2 μ m Au													
09692815141	Mating area	0,8 μ m Au	1,3 μ m Au	EC01734	28-APR-10	SC										
	Termination area	0,2 μ m Au	1,3 μ m Au	31057	21-JUN-02	CV										
Part number	Plating	outer conductor	inner conductor	Mod.	Dat.	Name	HARTING EURL F-95972 Paris					TB 09 69 281 x141	Blatt/ Page 1 / 1			
													Sub.			