

1

2

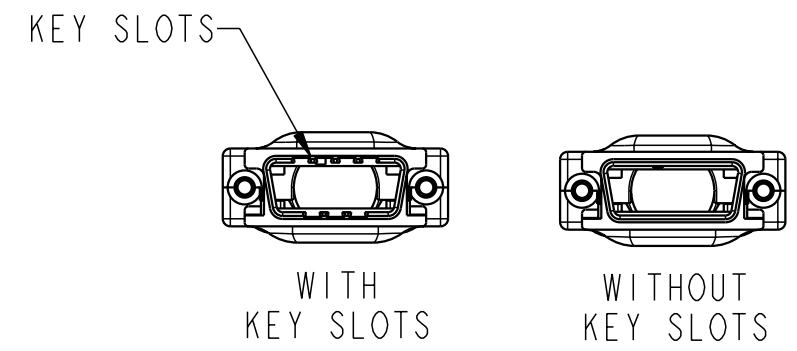
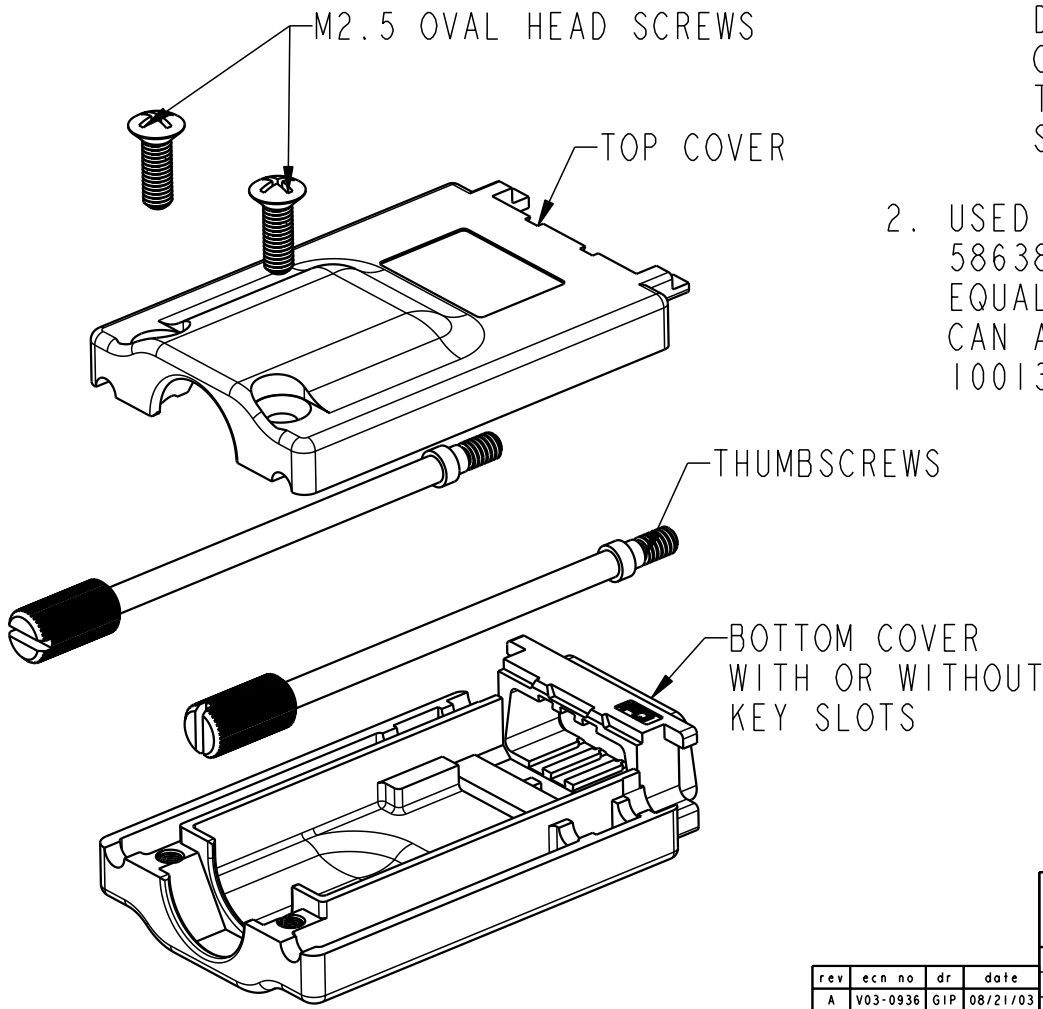
3

4

PRODUCT NUMBER	DESCRIPTION
10021736-002	COVER ASSEMBLY KIT WITH KEY SLOTS
10021736-012	COVER ASSEMBLY KIT WITHOUT KEY SLOTS

NOTES:

- MATERIALS:
 DIE CAST SHELLS: ZINC WITH Ni PLATING OVER COPPER UNDER PLATING.
 THUMBSCREWS: STAINLESS STEEL
 SCREWS: STAINLESS STEEL
- USED WITH EYEMAX® PLUG 58443 (WITHOUT PCB), 58638 (WITH UNEQUALIZED PCB) OR 10026692 (WITH EQUALIZED PCB). COVER ASSEMBLY AND CONNECTOR CAN ALSO BE PURCHASED TOGETHER IN KIT 10013923.



Tous droits strictement reserves. Reproduction ou communication a des tiers interdite sous quelque forme que ce soit sans autorisation écrite du propriétaire. Propriete de c fci. Droits de reproduction FCI.



All rights strictly reserved. Reproduction or issue to third parties in any form whatever is not permitted without written authority from the proprietor. Property of FCI. Copyright FCI.

TOLERANCES UNLESS OTHERWISE SPECIFIED				rev	ecn no	dr	date
LINEAR	0.X	±.3	-	A	V03-0936	GIP	08/21/03
	0.XX	±.10	-	B	V03-1084	DAI	11/14/03
	0.XXX	±.050	-	C	V04-0484	DAI	06/16/04
ANGULAR	0°	±2°	-	D	V05-0505	LP	6/2/05

FCI		www.fciconnect.com		surface 3.2 ASME Y14.5	tolerance ASME Y14.5	projection ASME Y14.5	MM
Dr	G.PETERS	08/21/03	Product family	EyeMax (TM)	size	A4	Scale 3:2
Eng	D.BRANN	08/21/03	Spec ref	-	ECN	V05-0505	
Chr	D.BRANN	08/21/03	Material	SEE NOTES			
Appr	D.BRANN	08/21/03					
title	4X COVER ASSEMBLY KIT			dwg no	10021736		Rev. D
catalog no	-			CUSTOMER	sheet 1 of 1		