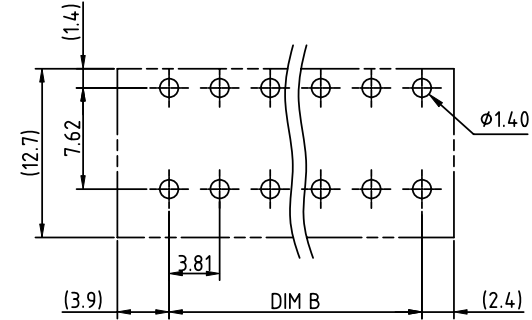
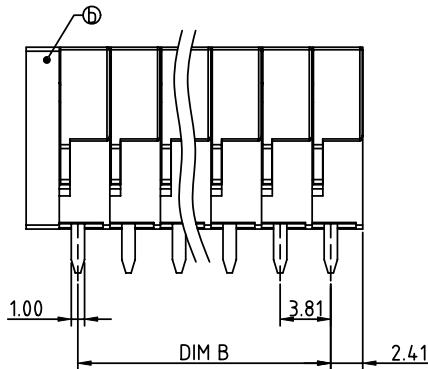
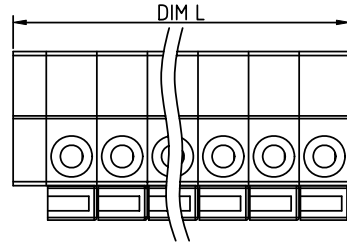
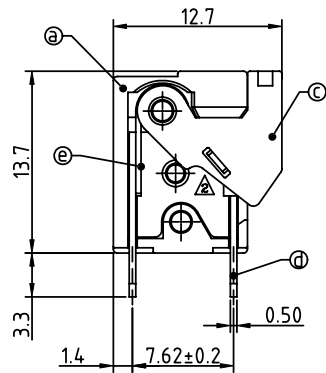


PRODUCT NUMBER	PITCH
HAxx70x000J0G	3.81 mm



RECOMMENDED P.C.B LAYOUT
TOP VIEW

Material:

- Item a Terminal body Thermoplastic (UL94V-0)
- Item b Terminal cover Thermoplastic (UL94V-0)
- Item c Terminal lever Thermoplastic (UL94V-0) Orange(RAL2011/P)
- Item d Solder pin Brass, Tin plated
- Item e Spring clamp Stainless steel

Electrical cULus

- Voltage rating: 300VAC
- Current rating: 6A
- Solid wire(AWG): 16-26
- Stranded wire(AWG): 16-26
- Wire strip length: 9-10 mm
- Withstanding Voltage: 1.6KV
- Operating temperature: -40°C to +115°C
- Soldering temperature: 260°C±5°C/5 Sec
- Safety Approval: cULus

N=Number of poles
Dim L=Nx3.81+2.5
Dim B=(N-1)x3.81

POLES	Tolerance
2-5p	±0.10
6-10p	±0.15
11-15p	±0.20
16-20p	±0.25
21-24p	±0.30

PART NO.: HA xx 70 x 0 00J0 G

	Color	RoHS compliant
End stackable 0	Black (RAL9005)	(lead<4%)
No. of poles 2	Red (RAL3001/D)	In copper Alloy
02 2 poles 3	Orange(RAL2011/P)	
03 3 poles 4	Yellow(RAL1018/A)	
... .. 5	Green(RAL6018/T)	
24 24 poles 6	Blue (RAL5015/A)	
	8 Grey(RAL7004/P)	
	9 White(RAL1102)	
	C Multiple colors	

mat'l. code		surface ASME Y14.5	tolerance ASME Y14.5	projection	product family TERMINAL BLOCK
ltr	ecn no	dr	date	 MM	title TERMINAL BLOCK SPRING CLAMP,90D WIRE INLET
tolerances unless otherwise specified					
angles		X.±0.5			dwg no HAXX70x000J0G sheet 1 of 1 size A4
X'±1"		X.XX±0.1			
dr	EVIN ZHONG	052314			
enr	EVIN ZHONG	052314			
chr	HANKE FENG	052314		type CUSTOMER Drawing	
appd	SHI JUN	052314			
sheet index	revision sheet	A	1		