

## Cover - BC 35,6 DKL S TRANS - 2896115


Please be informed that the data shown in this PDF Document is generated from our Online Catalog. Please find the complete data in the user's documentation. Our General Terms of Use for Downloads are valid (<http://download.phoenixcontact.com>)



Transparent cover for installation housing BC 35,6...



### Key commercial data

Packing unit	1 PCE
GTIN	 4 046356 096522
Custom tariff number	85389099
Country of origin	GERMANY

### Technical data

#### General

Housing type	Housing cover
Housing material	Polyamide
Color	transparent

#### Dimensions

Width	35.6 mm
-------	---------

#### Technical data

Inflammability class according to UL 94	V0
-----------------------------------------	----

### Classifications

#### ETIM

ETIM 2.0	EC001031
ETIM 3.0	EC001031

# Cover - BC 35,6 DKL S TRANS - 2896115

## Classifications

### ETIM

ETIM 4.0	EC001031
ETIM 5.0	EC002498

### UNSPSC

UNSPSC 11	31261501
UNSPSC 12.01	31261501
UNSPSC 13.2	31261501
UNSPSC 6.01	31261501
UNSPSC 7.0901	31261501

### eCl@ss

eCl@ss 4.0	27180401
eCl@ss 4.1	27180401
eCl@ss 5.0	27180506
eCl@ss 5.1	27180506
eCl@ss 6.0	27180802
eCl@ss 7.0	27182702

## Approvals

### Approvals

---

#### Approvals

UL Recognized / GOST / GOST

---


#### Ex Approvals

---

#### Approvals submitted

---

### Approval details

UL Recognized 
---------------------------------------------------------------------------------------------------

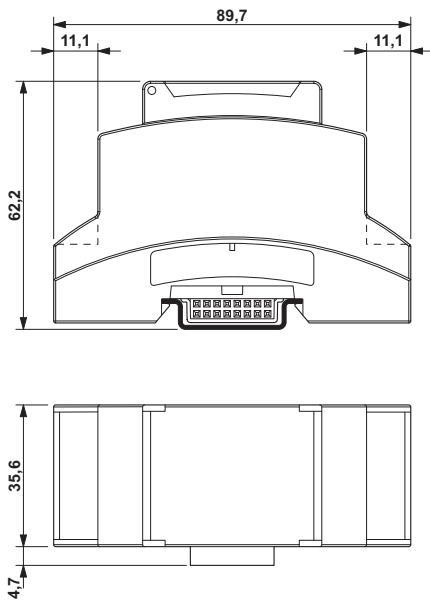
# Cover - BC 35,6 DKL S TRANS - 2896115

## Approvals



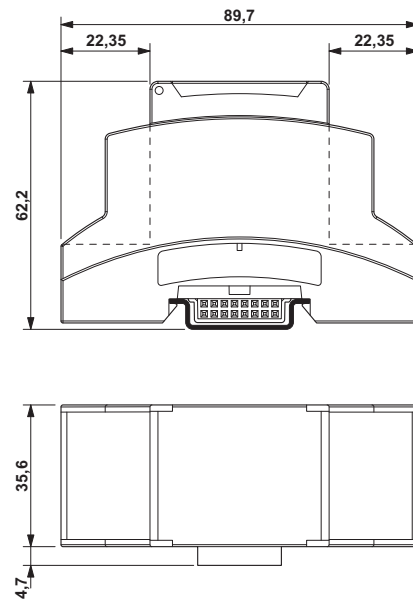
## Drawings

Dimensioned drawing



The dimensional drawing shows the item with the upper and lower parts of the housing

Dimensioned drawing



The dimensional drawing shows the item with the upper and lower parts of the housing