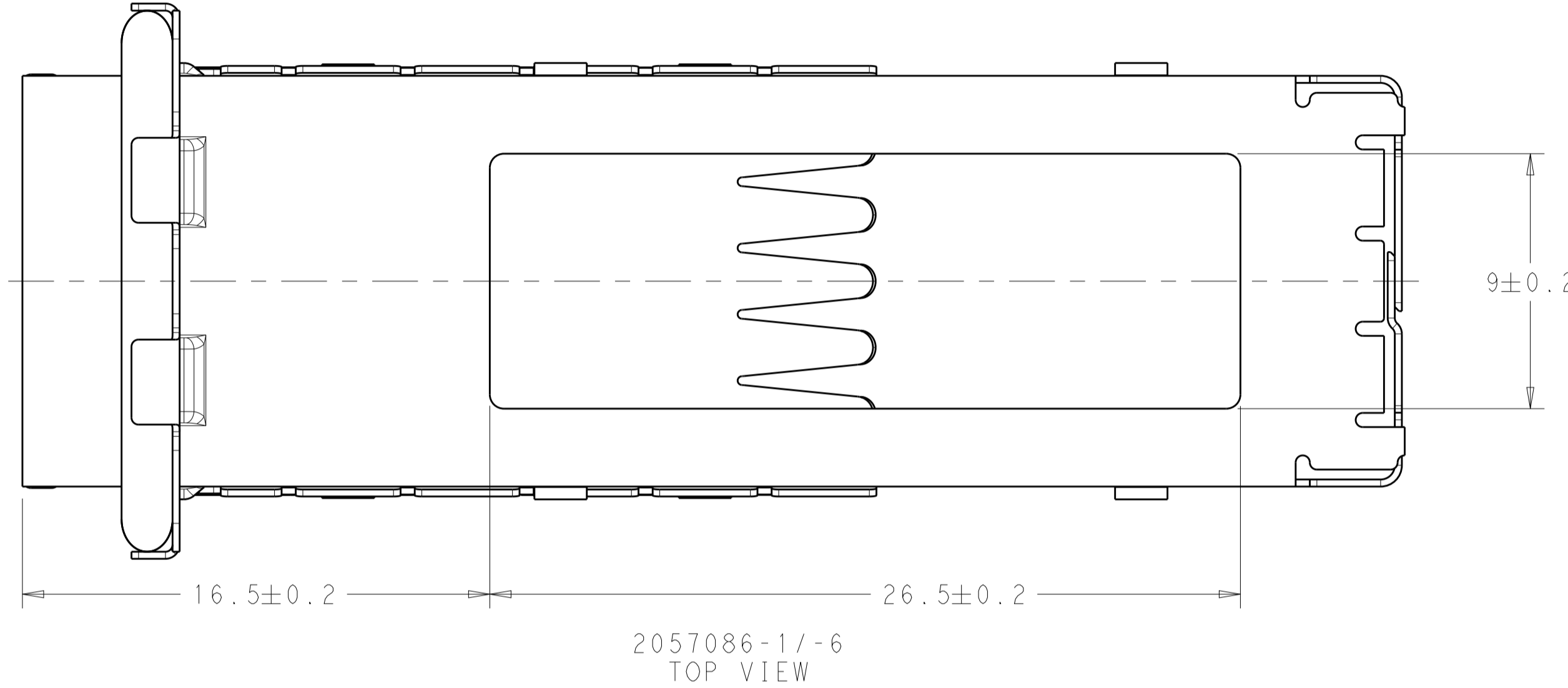
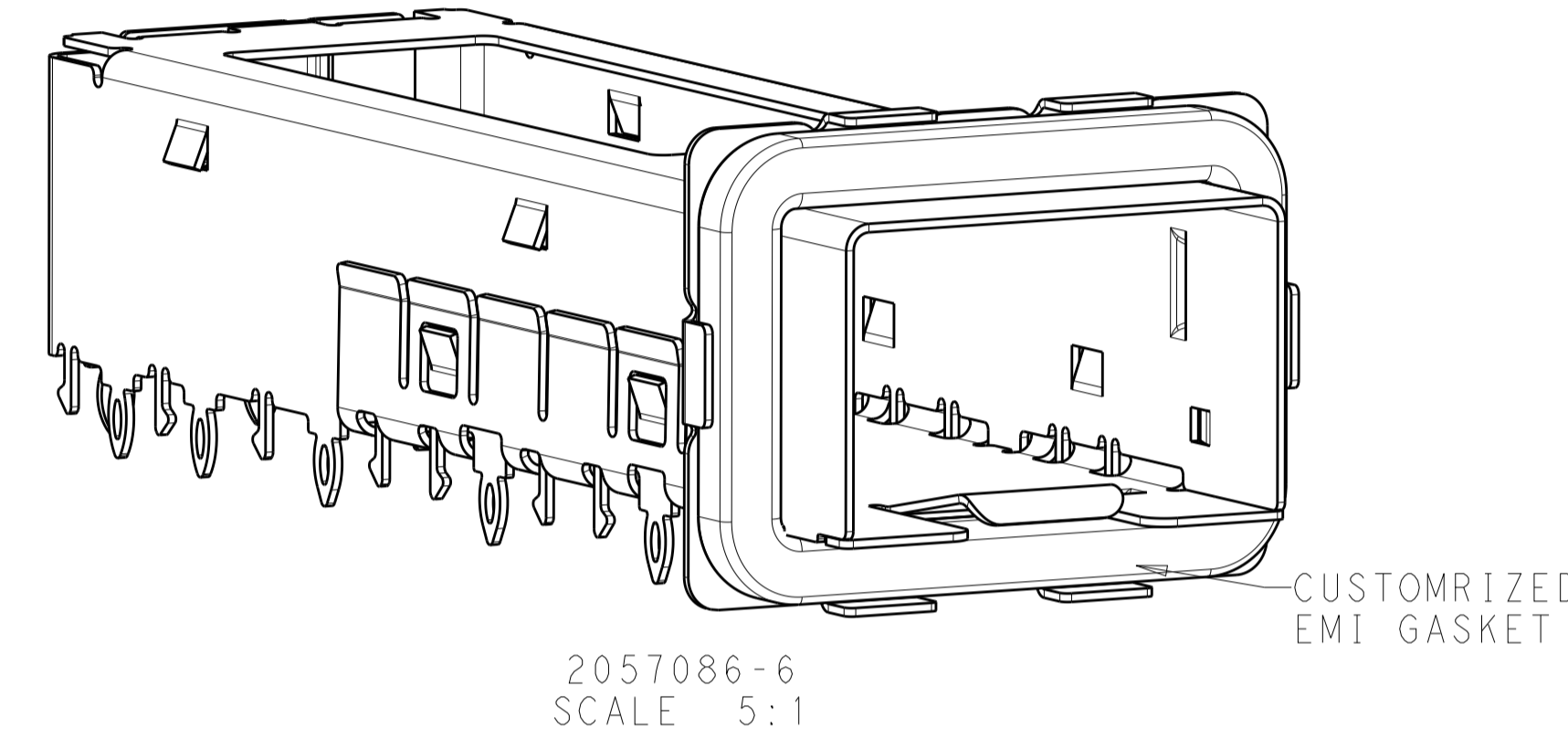
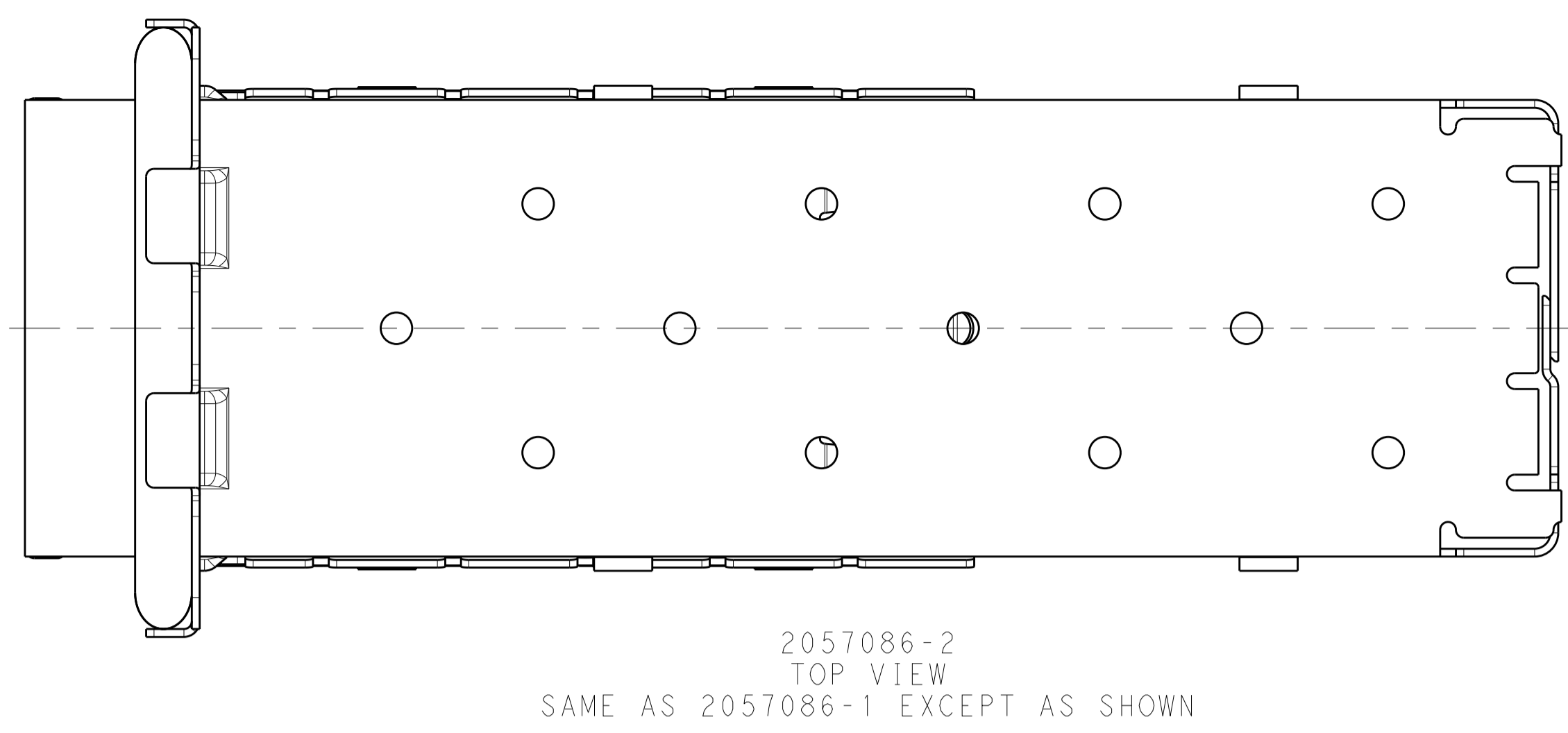
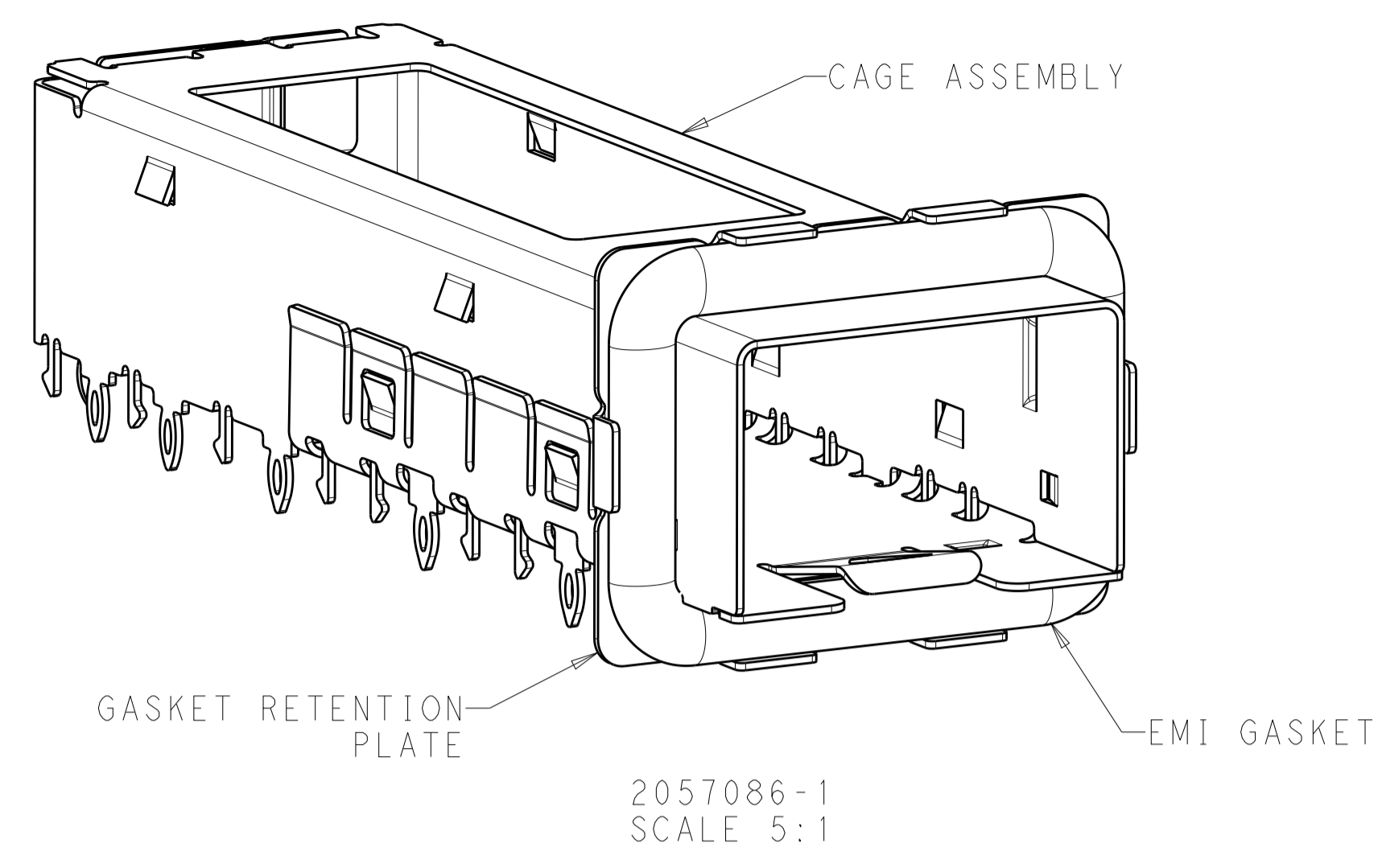
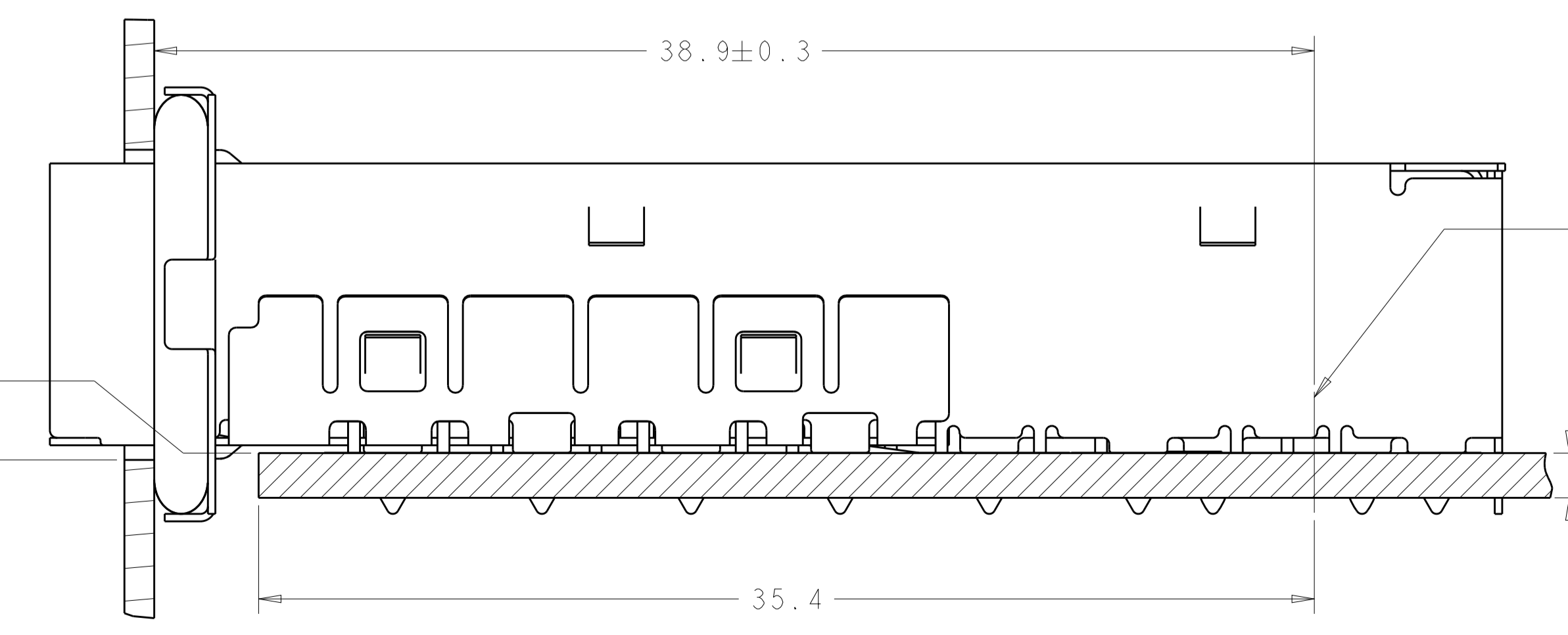
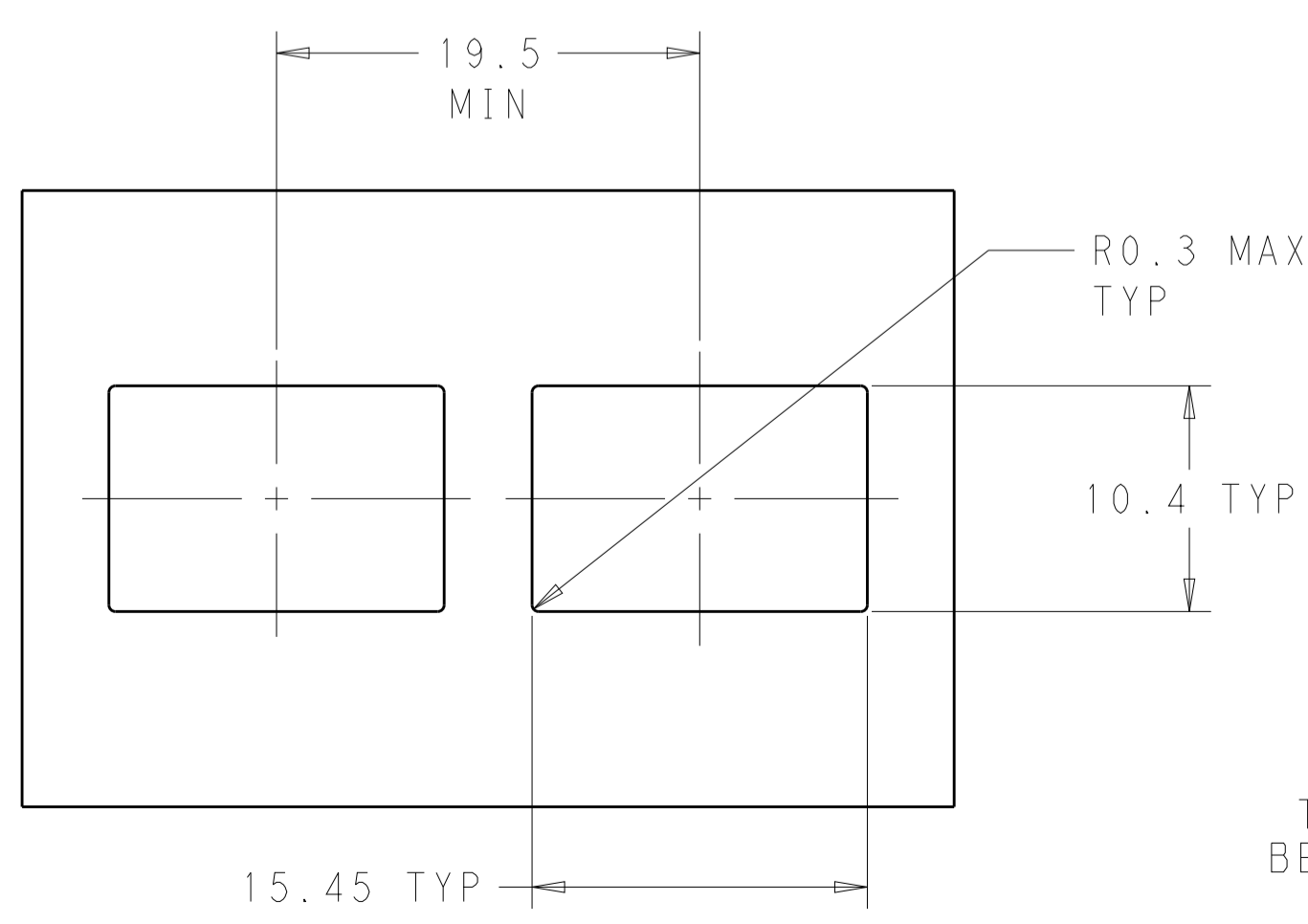
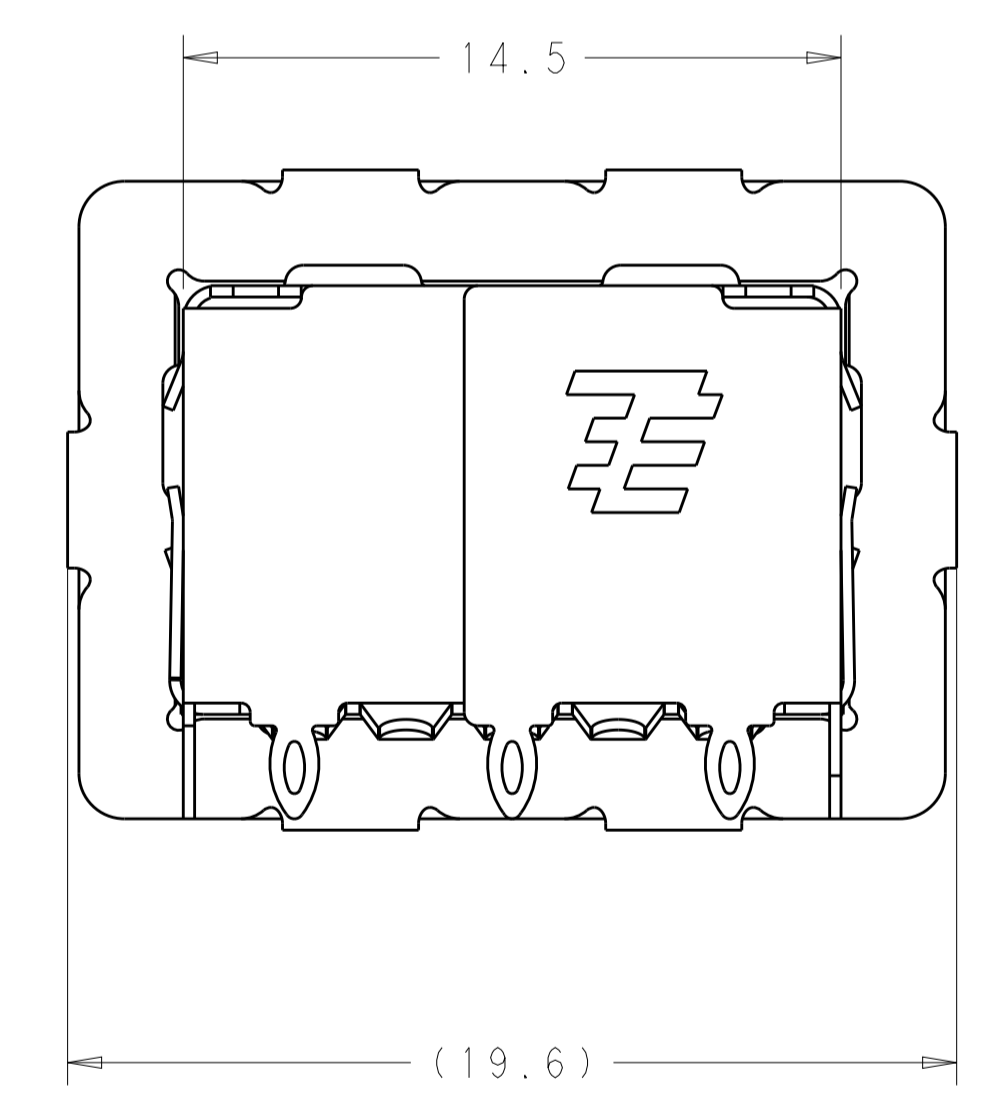
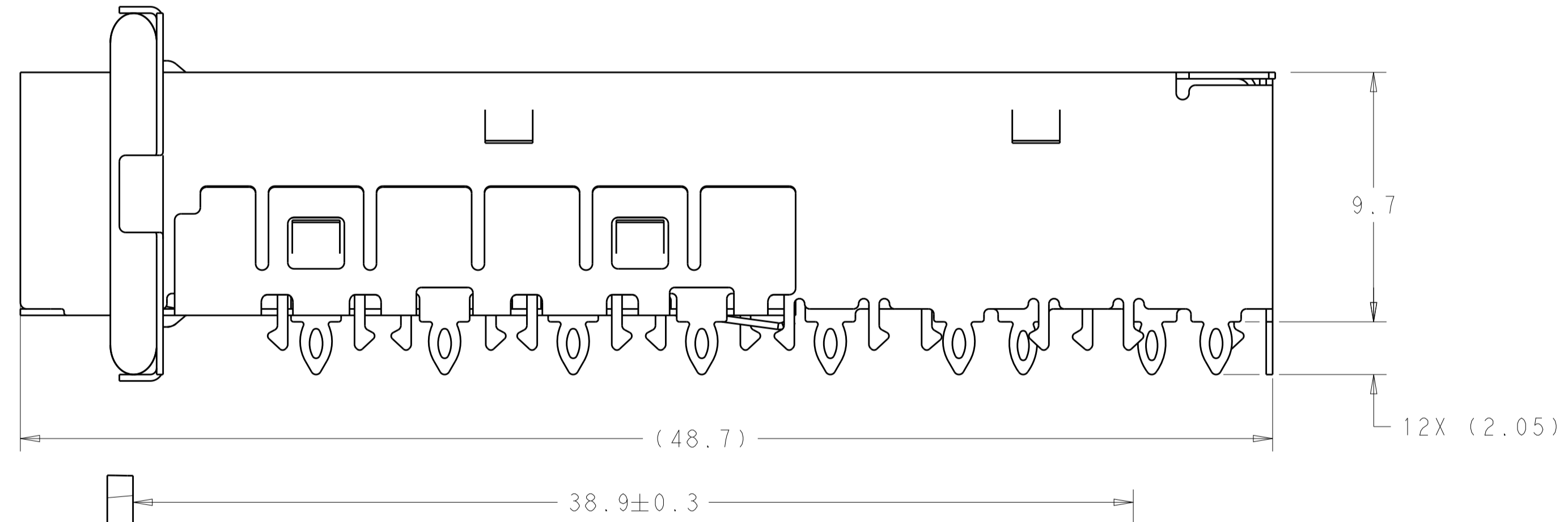
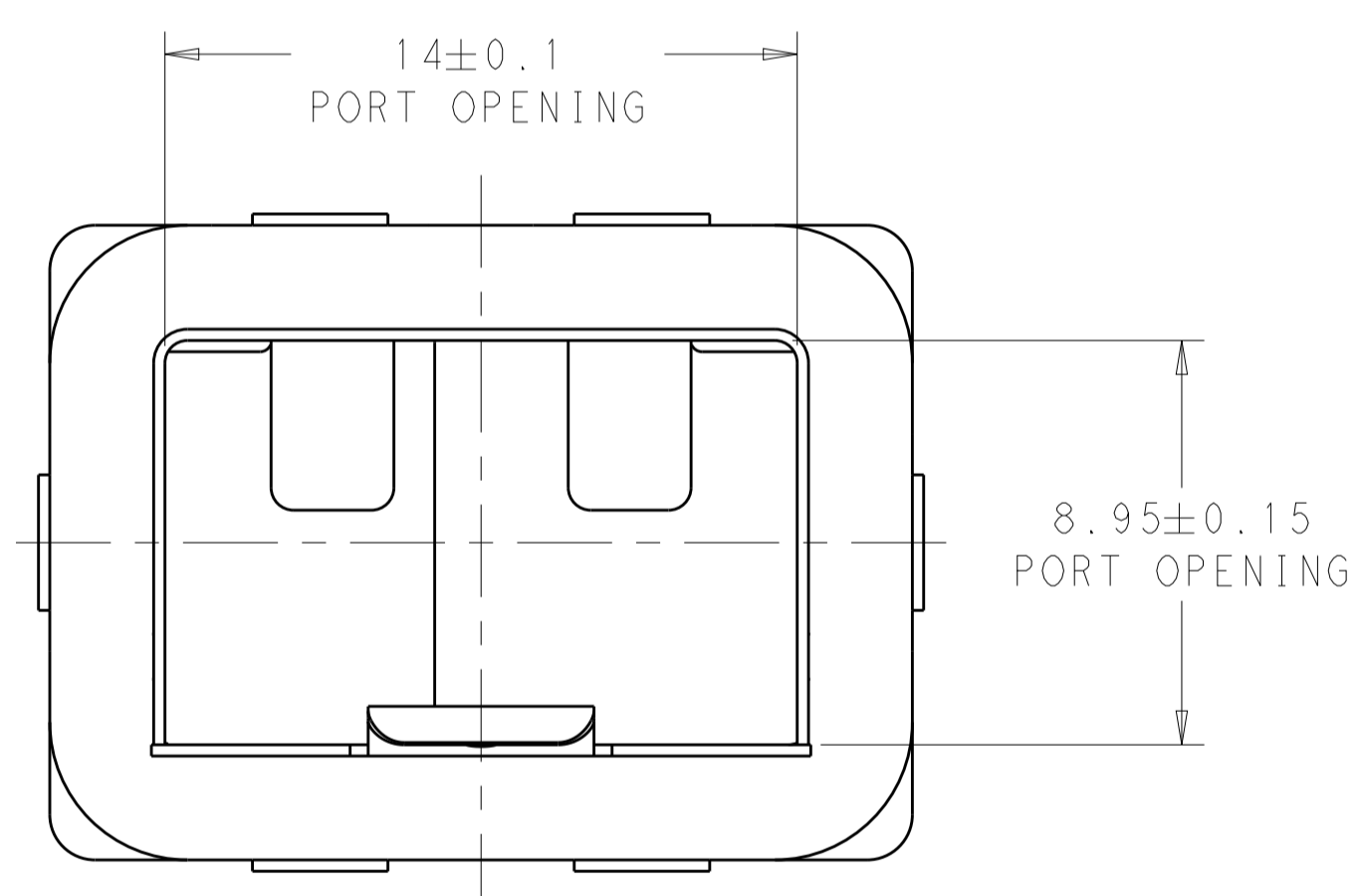


REVISIONS				
P.	LTN	DESCRIPTION	DATE	APP'D
A		RELEASE PER ECO-10-025263	10FEB2011	CJV JTL
B		RELEASE PER ECO-16-009259	17JUN2016	PP SH



- 1 MATERIAL:  
CAGE ASSEMBLY: NICKEL SILVER ALLOY, 0.25mm THK.  
GASKET RETENTION PLATE: STAINLESS STEEL  
EMI GASKET: PLATED FILLED SILICONE
- 2 MINIMUM PC BOARD THICKNESS:  
SINGLE SIDED = 1.45mm
- 3 PADS AND VIAS CHASSIS GROUND.
- 4 DATUM AND BASIC DIMENSION ESTABLISHED BY CUSTOMER.
- 5. MATES WITH SFP MSA COMPLIANT TRANSCEIVERS.
- 6. INTERPRETATION OF DATUM REFERENCE FRAME IN ACCORDANCE WITH SECT 4.4.1.1 OF ASME Y14.5M-1994.
- 7 REFERENCE APPLICATION SPEC. 114-13120, HOLE A, FOR RECOMMENDED DRILL HOLE DIAMETER AND PLATING THICKNESS.
- 8 REFERENCE APPLICATION SPEC. 114-13120, HOLE B, FOR RECOMMENDED DRILL HOLE DIAMETER AND PLATING THICKNESS.



0.23<sup>+0.10</sup><sub>-0.14</sub>  
TOP TO PCB  
TO INSIDE OF  
BEZEL CUT-OUT

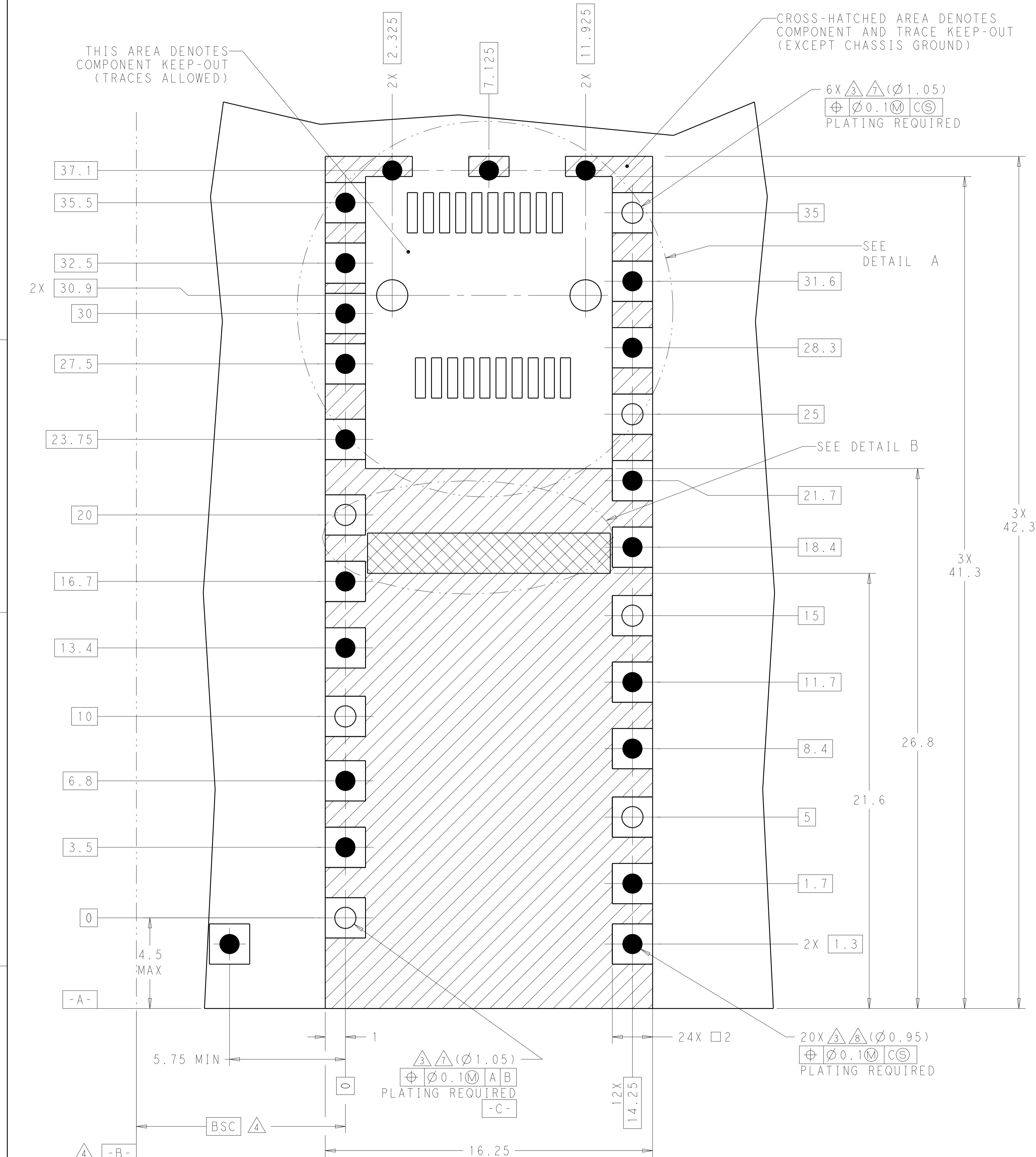
RECOMMENDED BEZEL CUT-OUT  
SCALE 3:1

2057086-1/-6  
MOUNTED ON PCB  
SHOWN THRU RECOMMENDED BEZEL  
SCALE 4:1

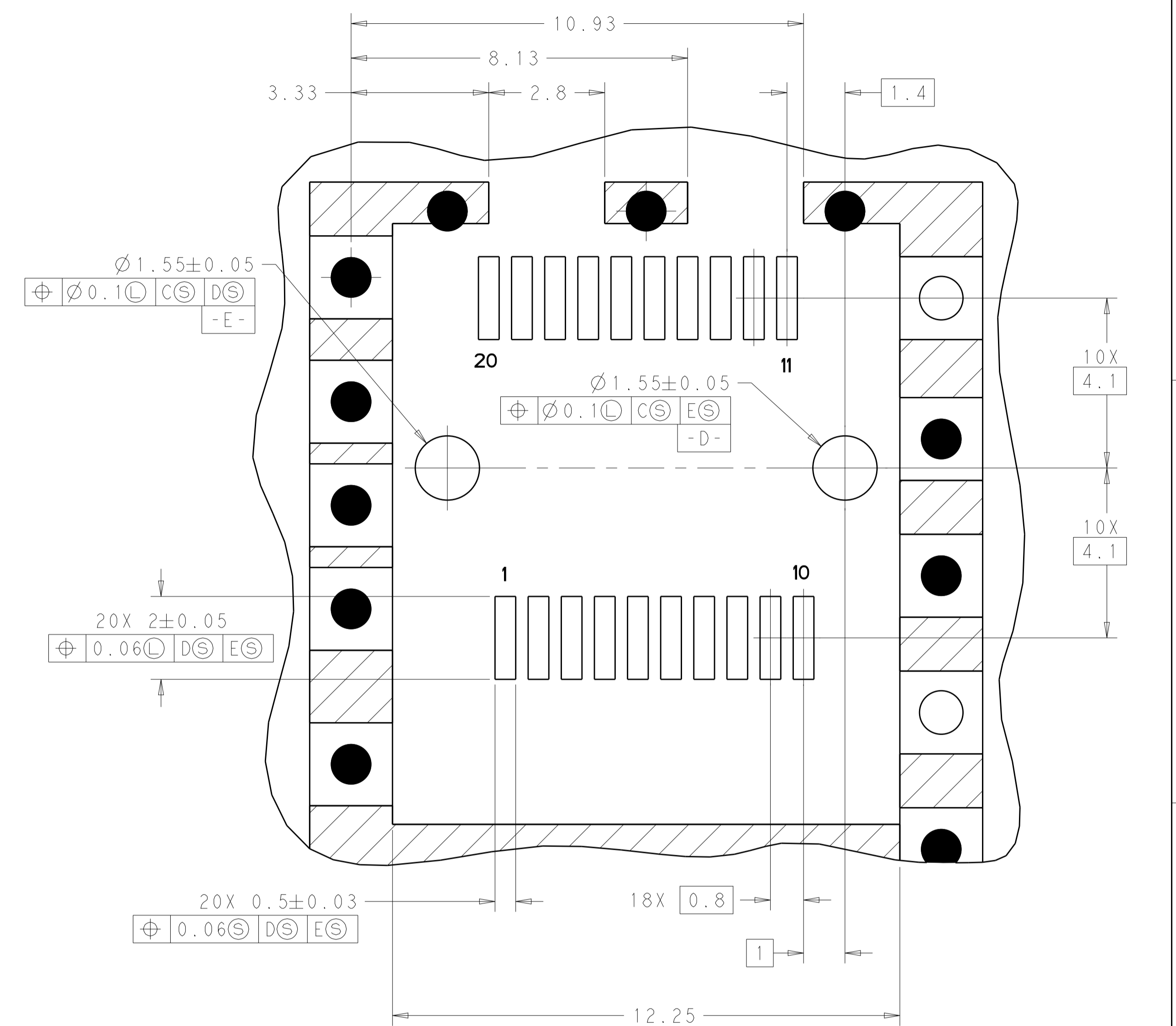
GASKET	DESCRIPTION	PART NUMBER
CUSTOMIZED TYPE	W/ HEATSINK OPENING	2057086-6
GENERAL TYPE	W/O HEATSINK OPENING	2057086-2
GENERAL TYPE	W/ HEATSINK OPENING	2057086-1

THIS DRAWING IS A CONTROLLED DOCUMENT.		OWN: Z.M.BEAM 18MAR2008	TE Connectivity
DIMENSIONS: mm		CHK: M.R.SCHMITT 18MAR2008	
TOLERANCES UNLESS OTHERWISE SPECIFIED:		APP'D: R.H.WERTZ 18MAR2008	
0 PLC ±0.1 1 PLC ±0.1 2 PLC ±0.1 3 PLC ±0.05 4 PLC ±0.05 ANGLES ±0.05		NAME: SFP+ ENHANCED 1X1 CAGE ASSEMBLY, PRESS-FIT. PRODUCT SPEC: 108-2364 APPLICATION SPEC: 114-13120 SIZE: CAGE CODE DRAWING NO: A100779 WEIGHT: - CUSTOMER DRAWING	
MATERIAL: -		FINISH: -	RESTRICTED TO: -
SCALE: 6:1		SHEET: 1 OF 2	REV: B

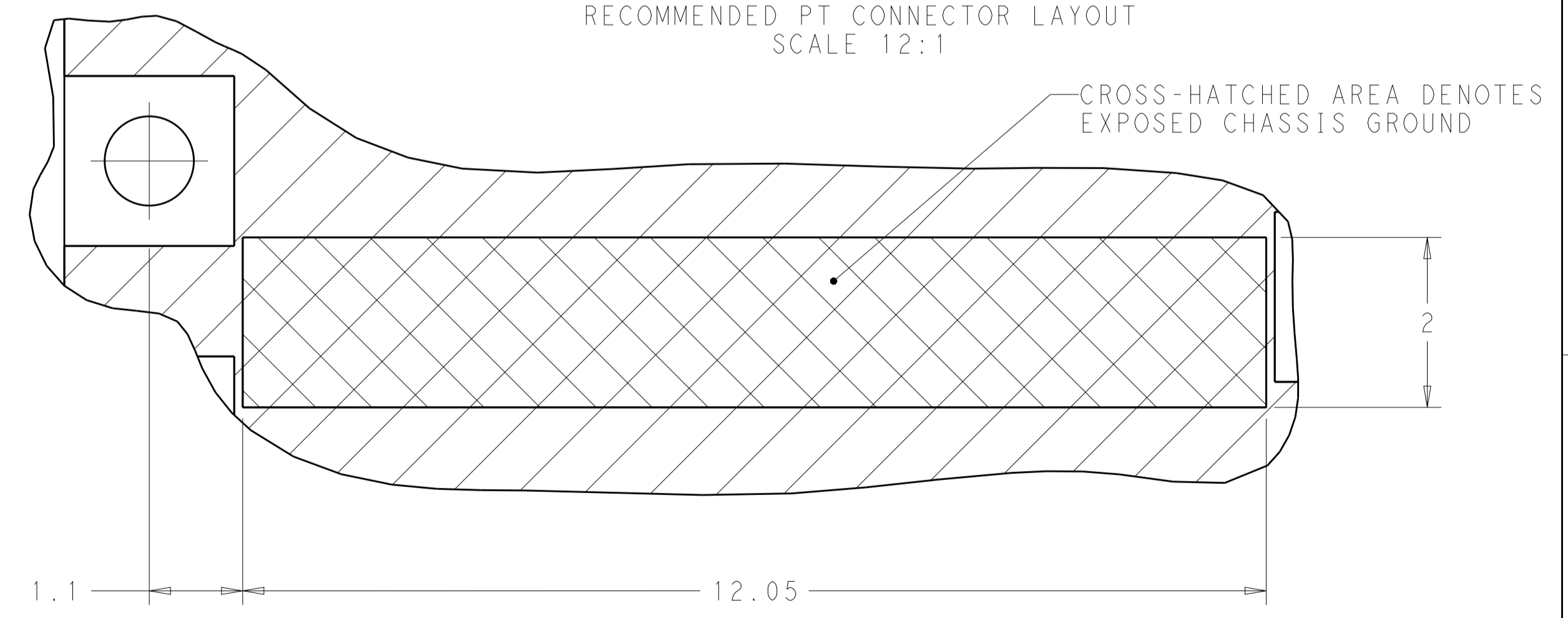
REVISIONS				
P.	LTN.	DESCRIPTION	DATE	APP'D.
-	-	SEE SHEET 1	-	-



RECOMMENDED PC BOARD CONFIGURATION WITH KEEP-OUT AREAS SCALE 9:1



DETAIL A  
 RECOMMENDED PT CONNECTOR LAYOUT  
 SCALE 12:1



DETAIL B  
 SCALE 18:1

THIS DRAWING IS A CONTROLLED DOCUMENT.		OWN: Z.M. REAM 18MAR2008	TE Connectivity
DIMENSIONS: mm		CHK: M.B. SCHMITT 18MAR2008	
TOLERANCES UNLESS OTHERWISE SPECIFIED:		APP'D: B.H. WERTZ 18MAR2008	NAME: SFP+ ENHANCED 1X1 CAGE ASSEMBLY, PRESS-FIT,
0 PLC $\pm 0.1$	1 PLC $\pm 0.1$	PRODUCT SPEC: 108-2364	SIZE: CAGE CODE: DRAWING NO: A100779
2 PLC $\pm 0.1$	3 PLC $\pm 0.1$	APPLICATION SPEC: 114-13120	RESTRICTED TO: -
4 PLC $\pm 0.05$	ANGLES $\pm 0.05$	WEIGHT: -	SCALE: 6:1 SHEET 2 OF 2 REV B
MATERIAL: -	FINISH: -	CUSTOMER DRAWING	