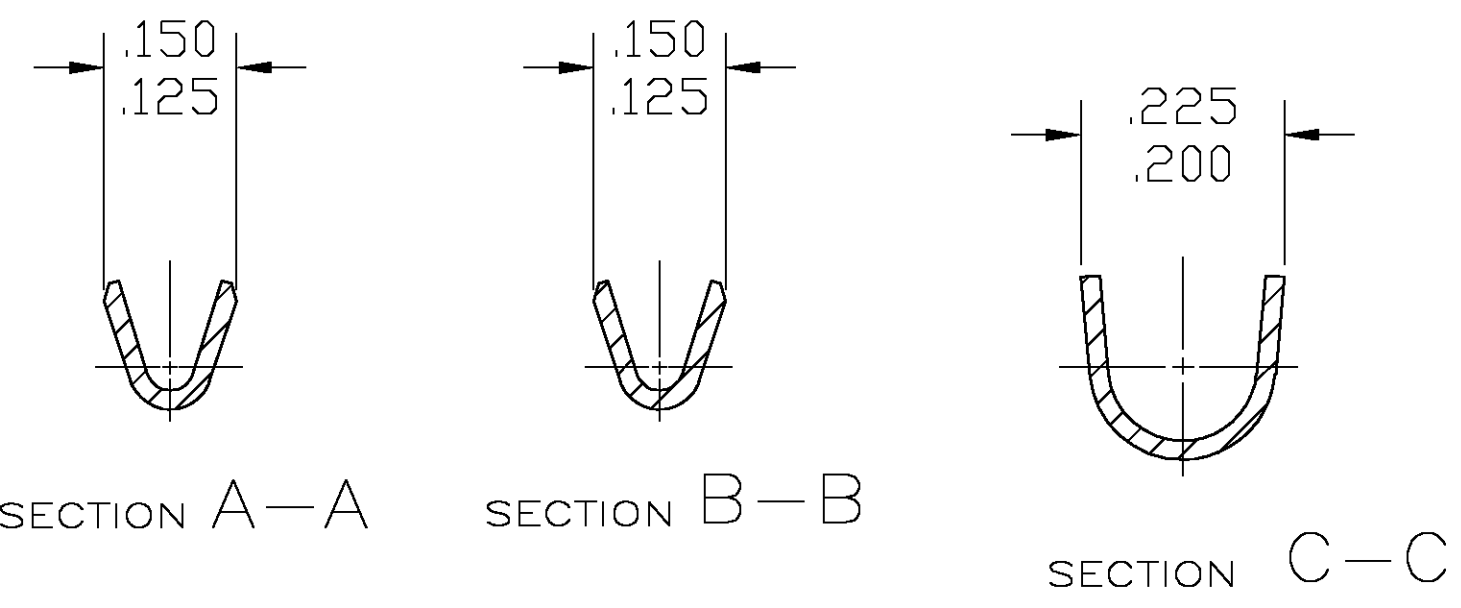
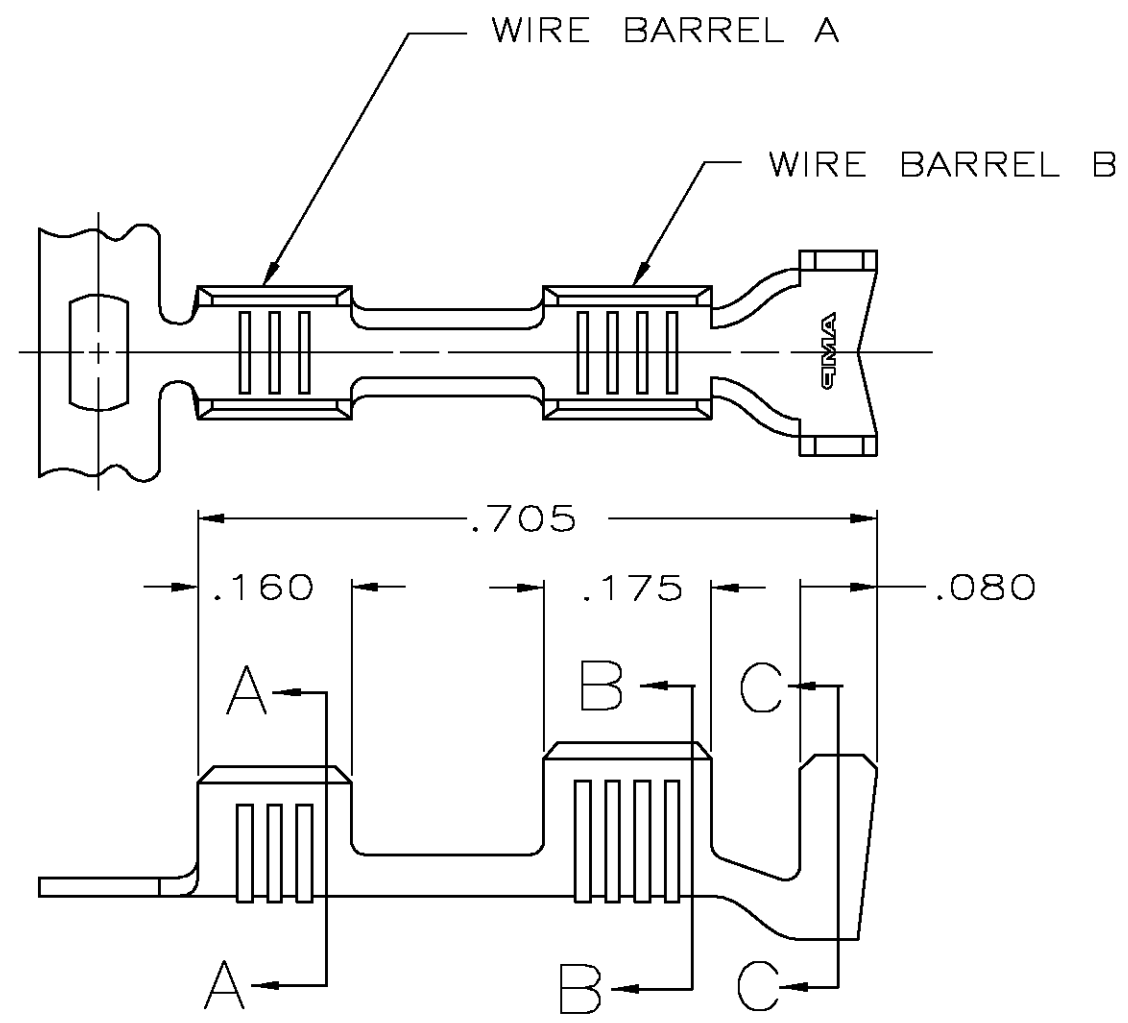


THIS DRAWING IS UNPUBLISHED. RELEASED FOR PUBLICATION
 © COPYRIGHT BY TYCO ELECTRONICS CORPORATION. ALL RIGHTS RESERVED.

LOC	DIST	REVISIONS				
P	LTR	DESCRIPTION	DATE	DWN	APVD	
AF	50	L	REV PER 0G3A-0148-05	28FEB05	JR GP	

1 CONTINUOUS STRIP ON REELS WITH TERMINALS LOCATED ON .535 CENTERS.



.135-.170 DIA	#18-#16 AWG	#18-#14 AWG	NICKEL	TEMP 3 STEEL	62419-3
			NONE	082 BRASS	62419-2
			TIN	082 BRASS	62419-1
INSULATION RANGE	BARREL A WIRE RANGE		FINISH	MATERIAL	PART NO.
THIS DRAWING IS A CONTROLLED DOCUMENT.			DWN JR RUTH 28FEB05	Tyco Electronics Corporation Harrisburg, Pa 17105-3608	
DIMENSIONS: INCHES			CHK G PORTA 28FEB05		
TOLERANCES UNLESS OTHERWISE SPECIFIED:			APVD G PORTA 28FEB05	NAME SPLICE, BUTT	
0 PLC ± - 1 PLC ± - 2 PLC ± - 3 PLC ± .015 4 PLC ± - ANGLES ± -			PRODUCT SPEC	-	
MATERIAL SEE TABLE			APPLICATION SPEC	-	
FINISH SEE TABLE			WEIGHT -	SIZE A3	CAGE CODE 00779
			DRAWING NO C-62419		RESTRICTED TO -
CUSTOMER DRAWING			SCALE 5:1	SHEET 1 OF 1	REV L