
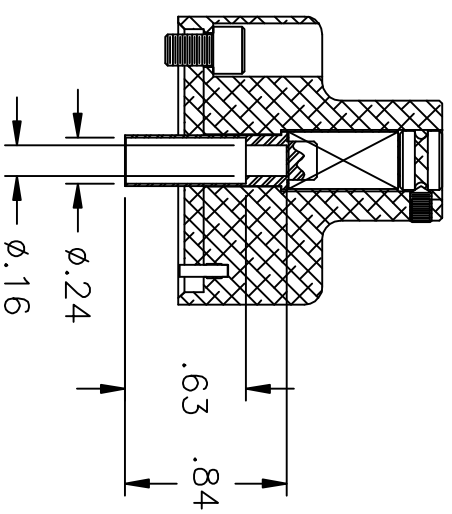
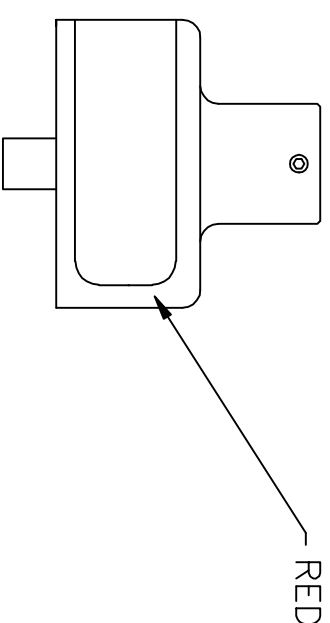
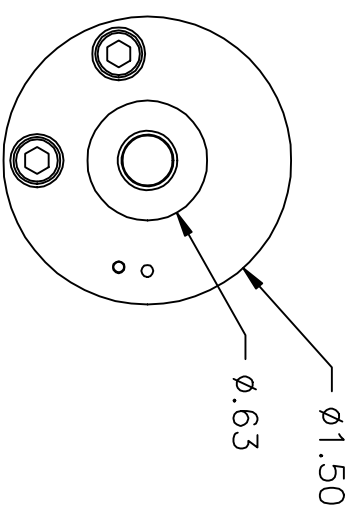



TGV410-1-ENV

 ASTRO TOOL CORP. CAGE 58164 BEAVERTON, OREGON USA		HARTING		WIRE SIZE mm ²	
TGV410-1 USE WITH TGV101 CRIMP TOOL		09 32 000 6104	1.5	2.5	SELECTOR SETTING
		09 32 000 6204	8		
		09 32 000 6105	7		
		09 32 000 6205			

**UNCONTROLLED DOCUMENT
WILL NOT BE UPDATED**

NAME PLATE (REF.)
(SCALE 2-1)



THESE DRAWINGS, SPECIFICATIONS OR OTHER DATA ARE AND REMAIN THE PROPERTY OF ASTRO TOOL CORP. AND MUST BE RETURNED UPON REQUEST. THEY CONTAIN INFORMATION OWNED AND/OR DEVELOPED BY ASTRO AT ITS OWN PRIVATE EXPENSE AND MAY NOT BE USED, DUPLICATED OR DISCLOSED TO OTHERS, IN WHOLE OR IN PART FOR DESIGN, MANUFACTURE OR PRODUCTION WITHOUT THE WRITTEN PERMISSION OF ASTRO TOOL CORP. EACH AND EVERY TIME.		SCALE: N.T.S.	UNLESS OTHERWISE SPECIFIED: DECIMALS: .XXX ± .005 XX ± .010 X ± .030 ANGLES: ± 1°	 ASTRO TOOL CORP. 21615 S.W. TUALATIN VALLEY HWY., BEAVERTON OR 97006	CAGE 58164
REV.	DESCRIPTION	BY	DATE	APR.	
A	NEW RELEASE	DY0	08-27-09	MMK	

2. USE WITH TGV101 TOOL
 NOTES: 1. THIS IS AN AUTOCAD DRAWING DO NOT CHANGE MANUALLY.

DESCRIPTION: ENVELOPE DRAWING: TGV410-1
 POSITIONER
 PART NO. B TGV410-1-ENV