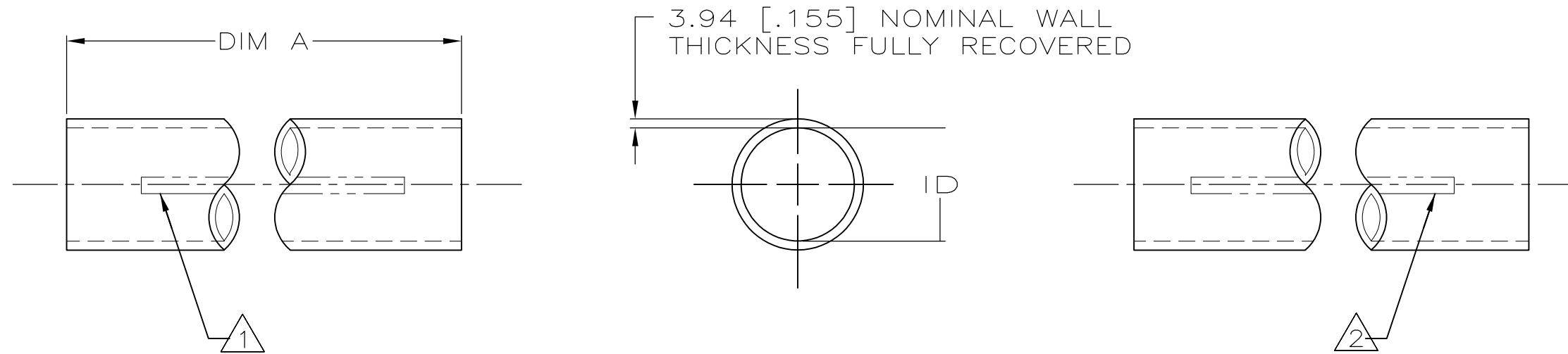


THIS DRAWING IS UNPUBLISHED. RELEASED FOR PUBLICATION, 19  
 © COPYRIGHT 19 BY AMP INCORPORATED. ALL INTERNATIONAL RIGHTS RESERVED.

LOC	DIST	P	F	ZONE	LTR	DESCRIPTION	DATE	APPD
FI	25				S	REV; EC 0N20-0057-97	16SEP97	DS EH
					S1	REVISED PER ECO-09-020774	25AUG09	KK AEG



50.80 [2.000] MINIMUM EXPANDED  
 19.05 [.750] MAXIMUM RECOVERED

1 PRODUCT MARKED WITH AMP, AND DATE CODE WITH 6.35 [.25] HIGH CHARACTERS USING WHITE INK LOCATED ALONG THIS SURFACE. REPEAT EVERY 203.2 [8.0] INCHES.

2 PRODUCT MARKED 2.000 - .750/ 50.8mm - 19mm WITH 6.35 [.25] HIGH CHARACTERS USING WHITE INK LOCATED ALONG THIS SURFACE. REPEATED EVERY 203.2 [8.0] INCHES.

3 WEIGHT PER LINEAR FOOT: 131.5 GRAMS/ .29 POUNDS.

4 OBSOLETE PARTS: OBSOLETE CIS STREAMLINING PER D.RENAUD/D.SINISI

	DIM A	PART NO
4 OBSOLETE	304.8 ±4.8 [12.00 ±.19]	53704-4
	7696.20 - 7620.00 [303.00 - 300.00]	53704-2
	1244.6 - 1219.2 [49.00 - 48.00]	53704-1

DO NOT SCALE PRINT. UNLESS SPECIFIED DIMENSIONS IN mm [INCHES] TOLERANCES ON: 2 PLC DEC ± - 3 PLC DEC ± - ANGLES ± -	DR 1-21-94 W CHANDLER	AMP Incorporated Harrisburg, PA 17105-3608
	CHK 2-14-94 D KAAT	
	APPD -	
	APPD -	
MATERIAL BLACK POLYOLEFIN	PRODUCT SPEC -	NAME AMPSULATION HWP31, HST WITHOUT SEALANT 2.000 INCHES DIAMETER
FINISH -	APPLICATION SPEC -	SIZE B CAGE CODE 00779 DRAWING NO C-53704
	WEIGHT 3	SCALE - SHEET 1 OF 1

THIS DRAWING IS A CONTROLLED DOCUMENT FOR AMP INCORPORATED. IT IS SUBJECT TO CHANGE AND THE CONTROLLING ENGINEERING ORGANIZATION SHOULD BE CONTACTED FOR THE LATEST REVISION.