

HL-G1 SERIES

Related Information

- General terms and conditions..... F-7
- Sensor selection guide P.1055~
- Glossary of terms / General precautions P.1493 / P.1501
- About laser beam..... P.1499~



panasonic.net/id/pidsx/global



Warning: This product is classified as a Class 2 (specular reflection type: Class 1) Laser Product in IEC / JIS standards and in FDA* regulations. Do not look at the laser beam directly or through optical system such as a lens.

*This product complies with 21 CFR 1040.10 and 1040.11 Laser Notice No. 50, dated June 24, 2007, issued by CDRH (Center for Devices and Radiological Health) under the FDA (Food and Drug Administration).

Introducing the new standard in CMOS laser displacement sensors

This single instrument delivers both high-precision measurement and computer-driven data analysis.

High resolution of 0.5 μm 0.02 mil

Thanks to high-precision measurement at a resolution of 0.5 μm 0.02 mil and an LED digital display that provides exceptional ease of use, the HL-G1 series will see use in a variety of applications on production lines worldwide.



<p>Diffuse reflection type HL-G103 □</p> <p>Measurement range: 30 ±4 mm 1.181 ±0.157 in</p> <p>Resolution: 0.5 μm 0.020 mil</p> <p>Linearity: ±0.1 % F.S.</p> <p>Beam diameter: 0.1 × 0.1 mm 0.004 × 0.004 in</p>	<p>Specular reflection type HL-G103A □ NEW</p> <p>Measurement range: 26.3 ±2 mm 1.035 ±0.079 in</p> <p>Resolution: 0.5 μm 0.020 mil</p> <p>Linearity: ±0.2 % F.S.</p> <p>Beam diameter: 0.1 × 0.1 mm 0.004 × 0.004 in</p>
--	---

<p>Diffuse reflection type HL-G105 □</p> <p>Measurement range: 50 ±10mm 1.969 ±0.394 in</p> <p>Resolution: 1.5 μm 0.059 mil</p> <p>Linearity: ±0.1 % F.S.</p> <p>Beam diameter: 0.5 × 1.0 mm 0.020 × 0.039 in</p>	<p>Specular reflection type HL-G105A □ NEW</p> <p>Measurement range: 47.3 ±5 mm 1.864 ±0.197 in</p> <p>Resolution: 1.5 μm 0.059 mil</p> <p>Linearity: ±0.2 % F.S.</p> <p>Beam diameter: 0.1 × 0.1 mm 0.004 × 0.004 in</p>
--	---

<p>Diffuse reflection type HL-G108 □</p> <p>Measurement range: 85 ±20 mm 3.346 ±0.787 in</p> <p>Resolution: 2.5 μm 0.098 mil</p> <p>Linearity: ±0.1 % F.S.</p> <p>Beam diameter: 0.75 × 1.25 mm 0.030 × 0.049 in</p>	<p>Specular reflection type HL-G108A □ NEW</p> <p>Measurement range: 82.9 ±10 mm 3.264 ±0.394 in</p> <p>Resolution: 2.5 μm 0.098 mil</p> <p>Linearity: ±0.2 % F.S.</p> <p>Beam diameter: 0.2 × 0.2 mm 0.008 × 0.008 in</p>
---	--

<p>Diffuse reflection type HL-G112 □</p> <p>Measurement range: 120 ±60 mm 4.724 ±2.362 in</p> <p>Resolution: 8 μm 0.315 mil</p> <p>Linearity: ±0.1 % F.S.</p> <p>Beam diameter: 1.0 × 1.5 mm 0.039 × 0.059 in</p>
--

<p>Diffuse reflection type HL-G125 □ NEW</p> <p>Measurement range: 250 ±150 mm 9.843 ±5.906 in</p> <p>Resolution: 20 μm 0.787 mil</p> <p>Linearity: ±0.3 % F.S.</p> <p>Beam diameter: 1.75 × 3.5 mm 0.069 × 0.138 in</p>
--

- FIBER SENSORS
- LASER SENSORS
- PHOTOELECTRIC SENSORS
- MICRO PHOTOELECTRIC SENSORS
- AREA SENSORS
- LIGHT CURTAINS / SAFETY COMPONENTS
- PRESSURE / FLOW SENSORS
- INDUCTIVE PROXIMITY SENSORS
- PARTICULAR USE SENSORS
- SENSOR OPTIONS
- SIMPLE WIRE-SAVING UNITS
- WIRE-SAVING SYSTEMS
- MEASUREMENT SENSORS
- STATIC ELECTRICITY PREVENTION DEVICES
- LASER MARKERS
- PLC
- HUMAN MACHINE INTERFACES
- ENERGY CONSUMPTION VISUALIZATION COMPONENTS
- FA COMPONENTS
- MACHINE VISION SYSTEMS
- UV CURING SYSTEMS

- Selection Guide
- Laser Displacement
- Magnetic Displacement
- Collimated Beam
- Digital Panel Controller
- Metal-sheet
- Double-feed Detection

- HL-G1
- HL-C2
- HL-C1

APPLICATIONS

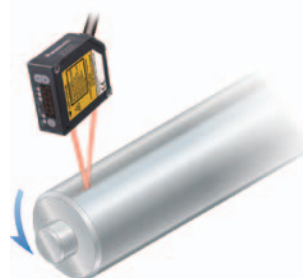
Controlling the height of a dispenser nozzle



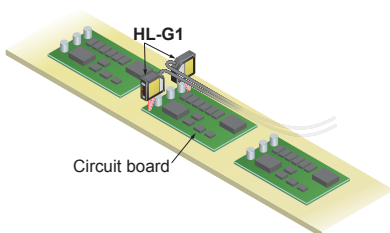
Positioning of wafer



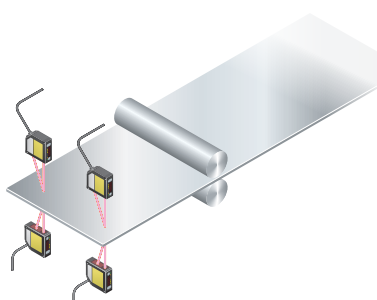
Measuring the eccentricity of a metal shaft



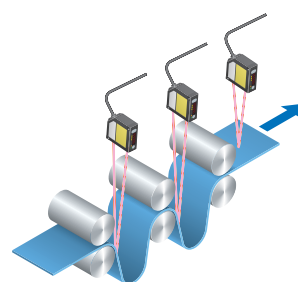
Detection of circuit board warpage



Measurement of sheet thickness



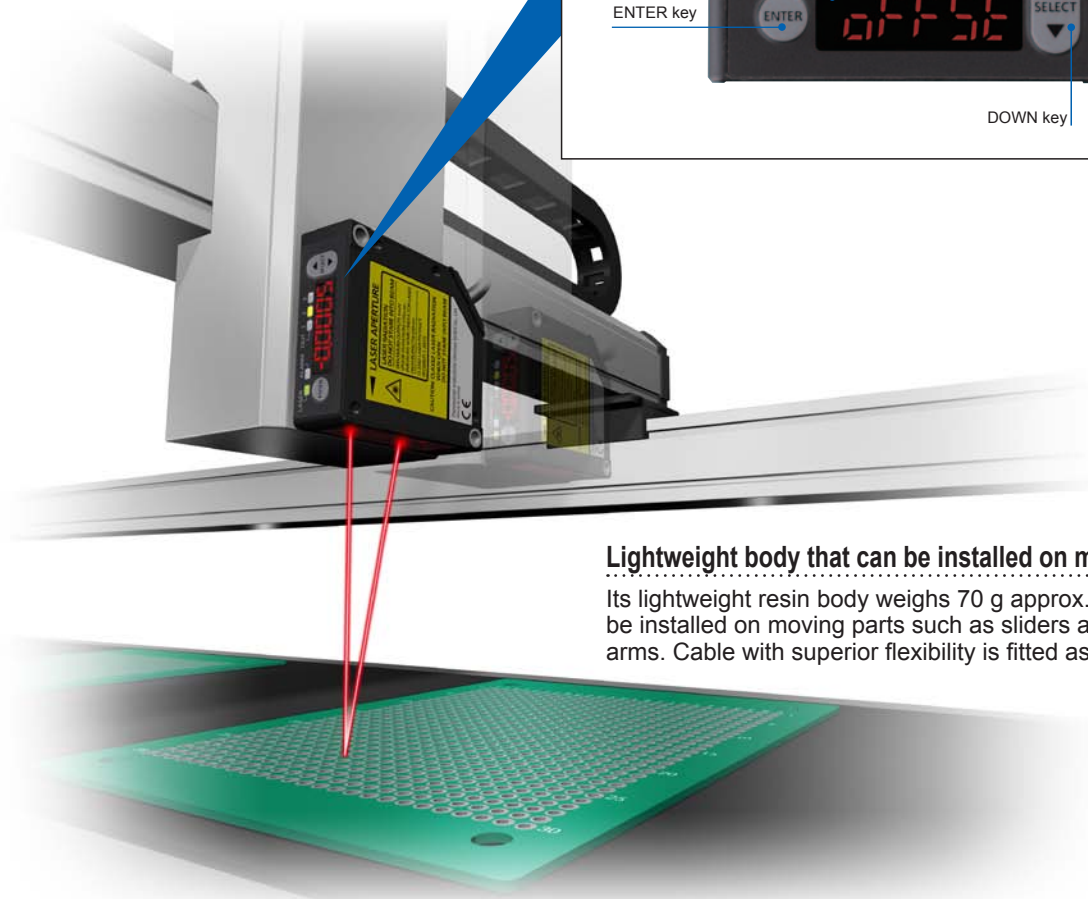
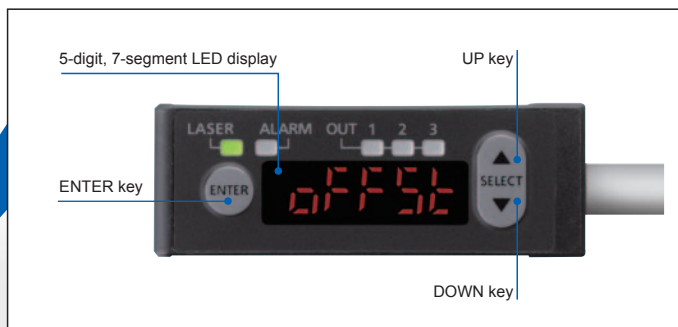
Testing sheet slack



BASIC PERFORMANCE

Easy input settings while looking at digital display

The built-in digital display makes it easy to perform sensor setting while checking displacement values.



Lightweight body that can be installed on movable parts

Its lightweight resin body weighs 70 g approx., which can be installed on moving parts such as sliders and robot arms. Cable with superior flexibility is fitted as standard.

FIBER SENSORS

LASER SENSORS

PHOTOELECTRIC SENSORS

MICRO PHOTOELECTRIC SENSORS

AREA SENSORS

LIGHT CURTAINS / SAFETY COMPONENTS

PRESSURE / FLOW SENSORS

INDUCTIVE PROXIMITY SENSORS

PARTICULAR USE SENSORS

SENSOR OPTIONS

SIMPLE WIRE-SAVING UNITS

WIRE-SAVING SYSTEMS

MEASUREMENT SENSORS

STATIC ELECTRICITY PREVENTION DEVICES

LASER MARKERS

PLC

HUMAN MACHINE INTERFACES

ENERGY CONSUMPTION VISUALIZATION COMPONENTS

FA COMPONENTS

MACHINE VISION SYSTEMS

UV CURING SYSTEMS

Selection Guide

Laser Displacement

Magnetic Displacement

Collimated Beam

Digital Panel Controller

Metal-sheet Double-feed Detection

HL-G1

HL-C2

HL-C1

- FIBER SENSORS
- LASER SENSORS
- PHOTOELECTRIC SENSORS
- MICRO PHOTOELECTRIC SENSORS
- AREA SENSORS
- LIGHT CURTAINS / SAFETY COMPONENTS
- PRESSURE / FLOW SENSORS
- INDUCTIVE PROXIMITY SENSORS
- PARTICULAR USE SENSORS
- SENSOR OPTIONS
- SIMPLE WIRE-SAVING UNITS
- WIRE-SAVING SYSTEMS
- MEASUREMENT SENSORS
- STATIC ELECTRICITY PREVENTION DEVICES
- LASER MARKERS
- PLC
- HUMAN MACHINE INTERFACES
- ENERGY CONSUMPTION VISUALIZATION COMPONENTS
- FA COMPONENTS
- MACHINE VISION SYSTEMS
- UV CURING SYSTEMS

- Selection Guide
- Laser Displacement
- Magnetic Displacement
- Collimated Beam
- Digital Panel Controller
- Metal-sheet Double-feed Detection

- HL-G1
- HL-C2
- HL-C1

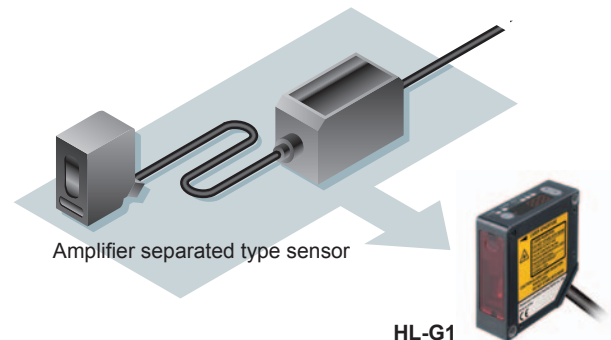
Compact

Compact size despite the built-in controller and digital read out.



Easy to embed in machines and production lines

Controller installation and mounting space is not required because controller function is included in sensor unit.



IP67 protective enclosure protects from water and dust

Thanks to its IP67 protective enclosure, the HL-G1 can be used in the presence of water and dust. Mounting holes are lined with metal sleeves, allowing the instrument to be tightened securely in place with up to 0.8 N·m of torque.



FUNCTIONS

Timing input and multi input

In addition to timing input select the desired input according to your application:

- Zero set on/off
- Laser control
- Reset
- Teaching
- Memory switching
- Saving

Featuring 3 outputs and an analog 2 outputs

With three outputs, the HL-G1 can be used to generate HI / GO / LOW judgment output or alarm output. The analog output can be used in both current and voltage modes.

Support for both NPN and PNP polarity GLOBAL SUPPORT

A single model number accommodates both NPN and PNP wiring polarity, reducing the number of model numbers that must be registered for maintenance purposes.

Memory switching function

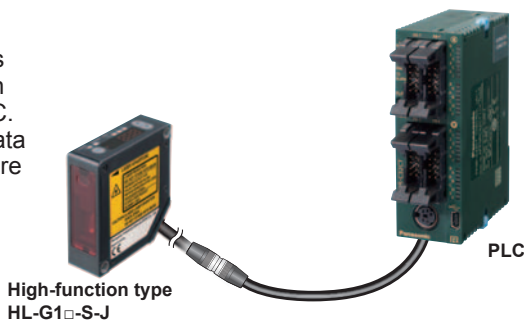
Up to four groups of sensor settings can be stored for fast recall. Easy switching among setting groups allows smooth setup changes.

HIGH FUNCTION TYPE

The integrated communications interface lets the sensor communicate with upstream devices such as PLCs.

Sensors and other devices can be connected in a 1:1 manner using RS-422, or up to 16 HL-G1 series sensors can be connected using RS-485, enabling them to return measured values in response to messages from the PLC. When using one of our PLCs*, you can use the PLC's data write/read instructions (F145 and F146) to easily configure HL-G1 series settings and acquire measurement output.

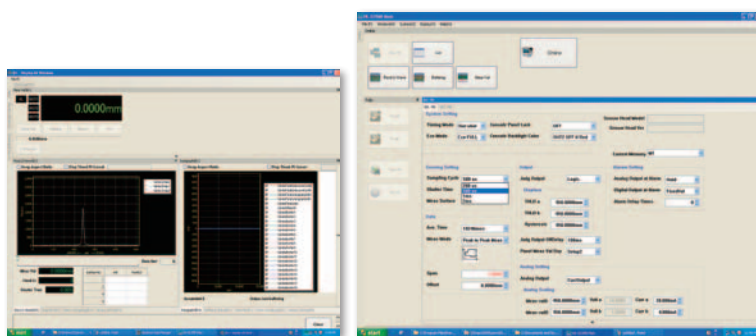
*Supported PLCs from Panasonic Industrial Devices SUNX: FP0R, FPΣ, FP-X



HIGH FUNCTION TYPE**Software tool for sensor configuration and evaluation (Free download available)**

In addition to configuring up to 16 sensors at once, this free tool makes it easy to gather data needed for analysis, such as received light waveform monitoring and data buffering. The interface language can be selected at the time of installation.

- **Data buffering**
Stores and displays measurement data, which can be superimposed on previously recorded data for easy comparison and analysis.
- **Received light waveform display**
Displays the amount of light received by cell from light-receiving element.
- **Measured value display**
Displays measured values as well as the output state for each terminal.

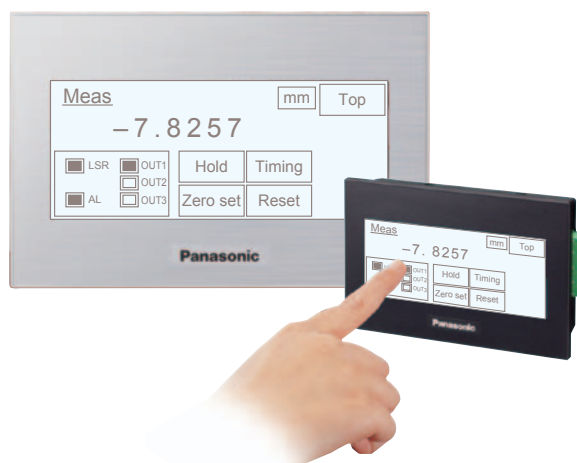
**HMI screen (Free download available)**

The **GT02 / GT12** series HMI can be used in combination with the **HL-G1** to allow easy confirmation of sensor status and configuration of sensor settings from a remote location. Japanese, English, Chinese, and Korean are supported. For more information about the **GT** series, visit our website or refer to our catalog.

Select from the following HMI operator panels:

Power supply: 24 V
Communication port: RS422 (RS485)

- AIG02GQ14D
- AIG02MQ15D
- AIG12GQ14D / AIG12GQ15D
- AIG12MQ14D / AIG12MQ15D



Refer to the programmable display **GT** series pages.

Multilingualization**GLOBAL SUPPORT**

Software tool and HMI screen data support not only Japanese and English, but also Chinese and Korean, providing a new level of support for devices and equipment in use worldwide.

Terms of use

Panasonic Industrial Devices SUNX offers no warranty for this software and is not liable for any loss or damage suffered as a result of its use or operation, whether direct, indirect, incidental, consequential, or unforeseen.

FIBER SENSORS

LASER SENSORS

PHOTOELECTRIC SENSORS

MICRO PHOTOELECTRIC SENSORS

AREA SENSORS

LIGHT CURTAINS / SAFETY COMPONENTS

PRESSURE / FLOW SENSORS

INDUCTIVE PROXIMITY SENSORS

PARTICULAR USE SENSORS

SENSOR OPTIONS

SIMPLE WIRE-SAVING UNITS

WIRE-SAVING SYSTEMS

MEASUREMENT SENSORS

STATIC ELECTRICITY PREVENTION DEVICES

LASER MARKERS

PLC

HUMAN MACHINE INTERFACES

ENERGY CONSUMPTION VISUALIZATION COMPONENTS

FA COMPONENTS

MACHINE VISION SYSTEMS

UV CURING SYSTEMS

Selection Guide

Laser Displacement

Magnetic Displacement

Collimated Beam



Digital Panel Controller

Metal-sheet Double-feed Detection

HL-G1**HL-C2****HL-C1**


ORDER GUIDE

When using the high function type sensor, please order the extension cable separately.

Type	Appearance	Measurement center distance and measuring range	Resolution	Beam diameter	Model No.	Laser class
Diffuse reflection type	 <p>Standard type</p>	30 ±4 mm 1.181 ±0.157 in	0.5 μm 0.020 mil	0.1 × 0.1 mm 0.004 × 0.004 in	HL-G103-A-C5	FDA / IEC: Class 2
		High function type	HL-G103-S-J			
		50 ±10 mm 1.969 ±0.394 in	1.5 μm 0.059 mil	0.5 × 1 mm 0.020 × 0.039 in	HL-G105-A-C5	
		High function type	HL-G105-S-J			
		85 ±20 mm 3.346 ±0.787 in	2.5 μm 0.098 mil	0.75 × 1.25 mm 0.030 × 0.059 in	HL-G108-A-C5	
		High function type	HL-G108-S-J			
		120 ±60 mm 4.724 ±2.362 in	8 μm 0.315 mil	1.0 × 1.5 mm 0.039 × 0.059 in	HL-G112-A-C5	
		High function type	HL-G112-S-J			
		250 ±150 mm 9.843 ±5.906 in	20 μm 0.787 mil	1.75 × 3.5 mm 0.069 × 0.138 in	NEW HL-G125-A-C5	
		High function type	NEW HL-G125-S-J			
Specular reflection type	 <p>High function type</p>	26.3 ±2 mm 1.035 ±0.079 in	0.5 μm 0.020 mil	0.1 × 0.1 mm 0.004 × 0.004 in	NEW HL-G103A-RA-C5	FDA / IEC: Class 1
		High function type	NEW HL-G103A-RS-J			
		47.3 ±5 mm 1.862 ±0.197 in	1.5 μm 0.059 mil	NEW HL-G105A-RA-C5		
		High function type	NEW HL-G105A-RS-J			
		82.9 ±10 mm 3.264 ±0.394 in	2.5 μm 0.098 mil	0.2 × 0.2 mm 0.008 × 0.008 in	NEW HL-G108A-RA-C5	
		High function type	NEW HL-G108A-RS-J			

OPTIONS

When using the high function type sensor, please order the extension cable separately.

Type	Appearance	Model No.	Description
Extension cable (for High function type)		HL-G1CCJ2	Length: 2 m 6.562 ft, Weight: 130 g approx.
		HL-G1CCJ5	Length: 5 m 16.404 ft, Weight: 320 g approx.
		HL-G1CCJ10	Length: 10 m 32.808 ft, Weight: 630 g approx.
		HL-G1CCJ20	Length: 20 m 65.617 ft, Weight: 1,300 g approx.
			14-core cabtyre cable with connector on both ends

- FIBER SENSORS
- LASER SENSORS
- PHOTO-ELECTRIC SENSORS
- MICRO PHOTO-ELECTRIC SENSORS
- AREA SENSORS
- LIGHT CURTAINS / SAFETY COMPONENTS
- PRESSURE / FLOW SENSORS
- INDUCTIVE PROXIMITY SENSORS
- PARTICULAR USE SENSORS
- SENSOR OPTIONS
- SIMPLE WIRE-SAVING UNITS
- WIRE-SAVING SYSTEMS
- MEASURE-MENT SENSORS
- STATIC ELECTRICITY PREVENTION DEVICES
- LASER MARKERS
- PLC
- HUMAN MACHINE INTERFACES
- ENERGY CONSUMPTION VISUALIZATION COMPONENTS
- FA COMPONENTS
- MACHINE VISION SYSTEMS
- UV CURING SYSTEMS
- Selection Guide
- Laser Displacement
- Magnetic Displacement
- Collimated Beam
- Digital Panel Controller
- Metal-sheet Double-feed Detection

- HL-G1
- HL-C2
- HL-C1

OPERATING ENVIRONMENT OF SOFTWARE TOOL

Operating environment				
PC environment	PC / AT compatible			
OS	OS	32 bits / 64 bits	Edition	Service Pack
	Windows® XP	32 bits	Professional	SP2 or later
	Windows® Vista		Business	
	Windows® 7	32 bits / 64 bits	Professional	—
CPU	Intel Pentium® 4 2 GHz or more, either equaling or surpassing			
Graphics	XGA (1,024 × 768 256 colors) or more			
Memory	1 GB or more			
Hard disk	Free space 100 MB or more			
USB interface	USB 2.0 full speed (USB 1.1 compatible)			

Notes: 1) This software accommodates below language. You can select the language when installing.

Japanese, English, Korean, Chinese

2) Windows® 7 Professional, Vista Business, and XP Professional are trademarks or registered trademarks of Microsoft Corporation in the United States and other countries.

INFORMATION OF INTERFACE CONVERTER

The communications interface converter of **HL-G1** series is RS-422 or RS-485. Use the HMI operator panel **GT02** or **GT12** (through mode) or the following interface converter when using the tool software **HL-G1SMI** and connecting to PC by USB.

<p>LINEEYE CO., LTD. Interface converter (USB to RS-422/485) SI-35USB Website: http://www.lineeye.com</p>
--

FIBER
SENSORSLASER
SENSORSPHOTO-
ELECTRIC
SENSORSMICRO
PHOTO-
ELECTRIC
SENSORSAREA
SENSORSLIGHT
CURTAINS /
SAFETY
COMPONENTSPRESSURE /
FLOW
SENSORSINDUCTIVE
PROXIMITY
SENSORSPARTICULAR
USE
SENSORSSENSOR
OPTIONSSIMPLE
WIRE-SAVING
UNITSWIRE-SAVING
SYSTEMSMEASURE-
MENT
SENSORSSTATIC
ELECTRICITY
PREVENTION
DEVICESLASER
MARKERS

PLC

HUMAN
MACHINE
INTERFACESENERGY
CONSUMPTION
VISUALIZATION
COMPONENTSFA
COMPONENTSMACHINE
VISION
SYSTEMSUV
CURING
SYSTEMSSelection
GuideLaser
DisplacementMagnetic
DisplacementCollimated
BeamDigital Panel
ControllerMetal-sheet
Double-feed
Detection**HL-G1****HL-C2****HL-C1**

SPECIFICATIONS

Item	Model No.	Type	Diffuse reflection type					Specular reflection type		
		Standard type	HL-G103-A-C5	HL-G105-A-C5	HL-G108-A-C5	HL-G112-A-C5	HL-G125-A-C5	HL-G103A-RA-C5	HL-G105A-RA-C5	HL-G108A-RA-C5
		High function type	HL-G103-S-J	HL-G105-S-J	HL-G108-S-J	HL-G112-S-J	HL-G125-S-J	HL-G103A-RS-J	HL-G105A-RS-J	HL-G108A-RS-J
Measurement center distance			30 mm 1.181 in	50 mm 1.969 in	85 mm 3.346 in	120 mm 4.724 in	250 mm 9.843 in	26.3 mm 1.035 in	47.3 mm 1.862 in	82.9 mm 3.264 in
Measuring range			±4 mm ±0.157 in	±10 mm ±0.394 in	±20 mm ±0.787 in	±60 mm ±2.362 in	±150 mm ±5.906 in	±2 mm ±0.079 in	±5 mm ±0.197 in	±10 mm ±0.394 in
Resolution			0.5 μm 0.020 mil	1.5 μm 0.059 mil	2.5 μm 0.098 mil	8 μm 0.315 mil	20 μm 0.787 mil	0.5 μm 0.020 mil	1.5 μm 0.059 mil	2.5 μm 0.098 mil
Linearity			±0.1 % F.S.				±0.3 % F.S.	±0.2 % F.S.		
Temperature characteristics			±0.08 % F.S./°C							
Light source			Red semiconductor laser, Class 2 (Class 1 for specular reflection type) (IEC / JIS / FDA, Laser Notice No. 50) Max. output: 1 mW (0.39mW for specular reflection type) Peak emission wavelength: 655 nm 0.026 mil							
Beam diameter (Note 2)			0.1 × 0.1 mm 0.004 × 0.004 in	0.5 × 1.0 mm 0.020 × 0.039 in	0.75 × 1.25 mm 0.030 × 0.049 in	1.0 × 1.5 mm 0.039 × 0.059 in	1.75 × 3.5 mm 0.069 × 0.138 in	0.1 × 0.1 mm 0.004 × 0.004 in	0.2 × 0.2 mm 0.008 × 0.008 in	
Receiving element			CMOS image sensor							
Supply voltage			24 V DC ±10 % including ripple 0.5 V (P-P)							
Current consumption			100 mA max.							
Sampling rate			200 μs, 500 μs, 1 ms, 2 ms							
Analog output	Voltage		Output range: 0 to 10.5 V (normal) / 11 V (at alarm), Output impedance: 100 Ω							
	Current		Output range: 3.2 to 20.8 mA (normal) / 21.6 mA (at alarm), Load impedance: 300 Ω max.							
Output (OUT 1, OUT 2, OUT 3)			Judgment output or alarm output (setting selectable) NPN transistor, open-collector / PNP transistor, open-collector (selectable)							
			<In case of using NPN output> • Maximum sink current : 50 mA • Applied voltage : 3 to 24 V DC (between output and 0 V) • Residual voltage : 2 V or less (at 50 mA of sink current)			<In case of using PNP output> • Maximum source current : 50 mA • Residual voltage : 2.8 V or less (at 50 mA of source current)				
Output operation			Open when the output is ON.							
Short circuit protection			Incorporated (automatic restoration)							
Output polarity setting input			NPN open collector output operates when 0 V is connected. PNP open collector output operates when 24 V DC is connected.							
Timing input			NPN output operates when 0 V is connected and NPN is set (depending on settings). PNP output operates when external power + is connected and PNP is set (depending on settings).							
Multi input			Zero set, zero set off, reset, memory switching, teaching, saving, and laser control according to the input time. In case NPN output is selected, function varies according to the time 0 V is connected NPN. In case PNP output is selected, function varies according to the time external power + is connected.							
Communications interface (high-function type only)			RS-422 or RS-485 (selectable) Baud rate: 9,600 / 19,200 / 38,400 / 115,200 / 230,400 / 460,800 / 921,600 bps Data length 8 bits, stop bit length 1 bit, without parity check, BCC check, termination code: CR							
Indicator	Laser emission		Green LED (lights up during laser emission)							
	Alarm		Orange LED (lights up when this product cannot measure because of insufficient or excessive light intensity)							
	Output		Yellow LED × 3							
Digital display			Red LED 5.5 digit display							
Environmental resistance	Protection		IP67 (IEC)							
	Ambient temperature		-10 to +45 °C +14 to +113 °F (No dew condensation), Storage: -20 to +60 °C -4 to +140 °F (No dew condensation)							
	Ambient humidity		35 to 85 % RH, Storage: 35 to 85 % RH							
	Ambient illuminance		Incandescent light: 3,000 lx or less at the light-receiving face (Note 3)							
	Ambient altitude		2,000 m 6,561 ft or less							
	Pollution degree		2							
	Insulation resistance		20 MΩ, or more, with 250 V DC megger between all supply terminals connected together and enclosure							
	Voltage withstandability		1,000 V AC one min. between all supply terminals connected together and enclosure							
	Vibration resistance		10 to 55 Hz (period: 1 min.) frequency, 1.5 mm 0.059 in amplitude in X,Y and Z directions for two hours each							
Shock resistance		500 m/s ² acceleration (50 G approx.) in X,Y and Z directions for three times each								
Material			Enclosure: PBT, front cover: acrylic, cable: PVC							
Cable			Standard type: 0.1 mm ² 10-core cabtyre cable, 5 m 16.404 ft long, high function type: 14-core cabtyre cable with connector, 0.5 m 1.640 ft long							
Cable extension			Extension up to total 20 m 65.617 ft is possible with optional cable (Cable for standard type cannot be extended).							
Weight	Standard type		Net weight: 70 g approx. (not including cable), 320 g approx. (including cable), gross weight: 380 g approx.							
	High function type		Net weight: 70 g approx. (not including cable), 110 g approx. (including cable), gross weight: 160 g approx.							
Accessory			Warning label: 1 set							

Notes: 1) Where measurement conditions have not been specified precisely, the conditions used were as follows: supply voltage 24 V DC, ambient temperature +20 °C +68 °F, sampling rate 500 μs, average number of samples: 1024, measurement center distance, object measured is made of white ceramic (specular reflection type: an aluminum vapor deposition surface reflection mirror) and analog measurement values.

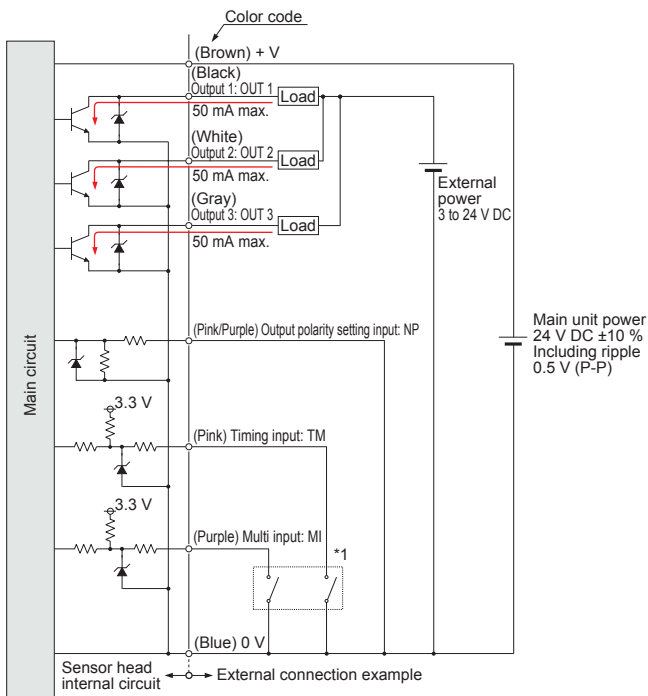
2) This beam diameter is the size at the measurement center distance. These values were defined by using 1/e² (13.5 %) of the center light intensity. The results may be affected if there is a slight leakage of light outside the normal spot diameter and if the periphery surrounding the sensing point has a higher reflectivity than the sensing point itself.

3) The fluctuation by ambient illuminance is ±0.1 % F.S. or less.

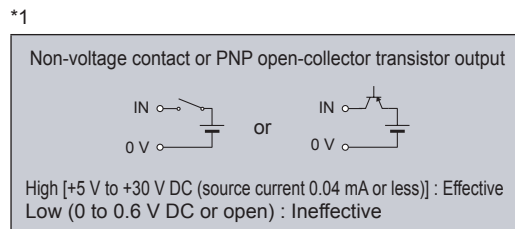
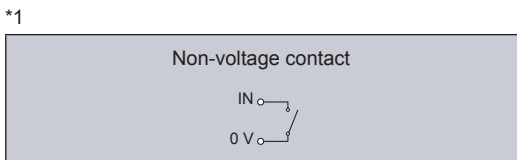
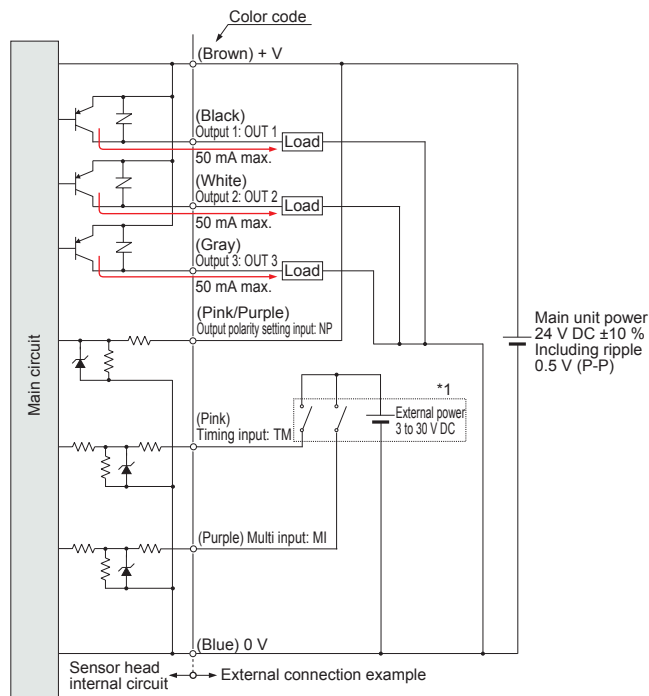
I/O CIRCUIT AND WIRING DIAGRAMS

I/O circuit diagrams

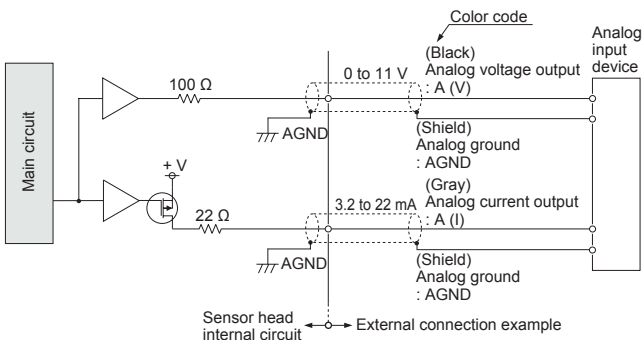
When selecting NPN output



When selecting PNP output



Analog output (common in NPN output type and PNP output type)



Notes: 1) Analog output is not equipped with the short-circuit protection. Do not short-circuit or apply voltage to them.
 2) Use shielded wires for analog outputs.

FIBER SENSORS

LASER SENSORS

PHOTO-ELECTRIC SENSORS

MICRO PHOTO-ELECTRIC SENSORS

AREA SENSORS

LIGHT CURTAINS / SAFETY COMPONENTS

PRESSURE / FLOW SENSORS

INDUCTIVE PROXIMITY SENSORS

PARTICULAR USE SENSORS

SENSOR OPTIONS

SIMPLE WIRE-SAVING UNITS

WIRE-SAVING SYSTEMS

MEASURE-MENT SENSORS

STATIC ELECTRICITY PREVENTION DEVICES

LASER MARKERS

PLC

HUMAN MACHINE INTERFACES

ENERGY CONSUMPTION VISUALIZATION COMPONENTS

FA COMPONENTS

MACHINE VISION SYSTEMS

UV CURING SYSTEMS

Selection Guide

Laser Displacement

Magnetic Displacement

Collimated Beam

Digital Panel Controller

Metal-sheet Double-feed Detection

HL-G1

HL-C2

HL-C1

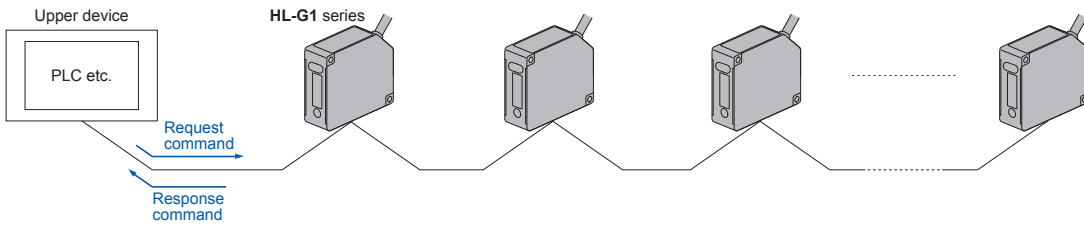
- FIBER SENSORS
- LASER SENSORS
- PHOTO-ELECTRIC SENSORS
- MICRO PHOTO-ELECTRIC SENSORS
- AREA SENSORS
- LIGHT CURTAINS/SAFETY COMPONENTS
- PRESSURE / FLOW SENSORS
- INDUCTIVE PROXIMITY SENSORS
- PARTICULAR USE SENSORS
- SENSOR OPTIONS
- SIMPLE WIRE-SAVING UNITS
- WIRE-SAVING SYSTEMS
- MEASURE-NEXT SENSORS
- STATIC ELECTRICITY PREVENTION DEVICES
- LASER MARKERS
- PLC
- HUMAN MACHINE INTERFACES
- ENERGY CONSUMPTION VISUALIZATION COMPONENTS
- FA COMPONENTS
- MACHINE VISION SYSTEMS
- UV CURING SYSTEMS
- Selection Guide
- Laser Displacement
- Magnetic Displacement
- Collimated Beam
- Digital Panel Controller
- Metal-sheet Double-feed Detection
- HL-G1**
- HL-C2
- HL-C1

I/O CIRCUIT AND WIRING DIAGRAMS

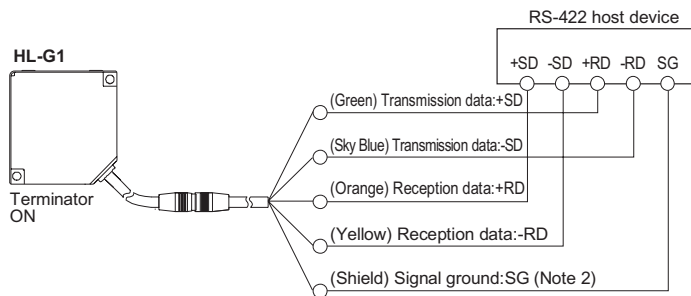
Communication specifications (High function type)

Communication method	RS-422	RS-485
		Full duplex
Synchronization method	Asynchronous communication method	
Transmission code	ASC II	
Baud rate	9,600/19,200/38,400/115,200/230,400/460,800/921,600 bps	
Data length	8 bit	
Stop bit length	1 bit	
Parity check	None	
BCC	Yes	
Termination code	CR	

The **HL-G1** can be connected to upper devices of RS-422/485.
When upper device sends the request command, the **HL-G1** series send the response command.



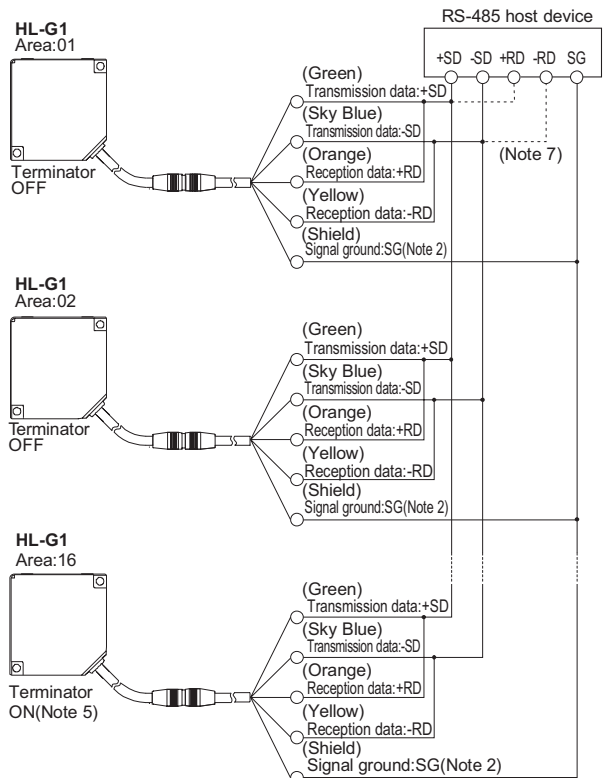
RS-422 1-to-1 connection



- Notes:
- 1) The transmission data cable and reception data cable are both twisted-pair cables.
 - 2) The shield is connected to the 0-V side of the power supply line inside the sensor.
 - 3) Be sure to connect the signal ground.
 - 4) The sensor is of non-isolated type. Make sure that the potential difference between the sensor and RS-422 connecting device does not exceed 4V. A difference in potential in excess may cause the connecting device or the sensor to malfunction.

RS-485 1-to-N connection

- Connectable up to 16 units.
- Please set the prefix with no duplication.



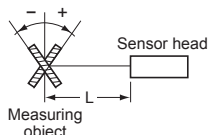
- Notes:
- 1) The transmission data cable and reception data cable are both twisted-pair cables.
 - 2) The shield is connected to the 0-V side of the power supply line inside the sensor.
 - 3) Be sure to connect the signal ground.
 - 4) The sensor is of non-isolated type. Make sure that the potential difference between the sensor and RS-485 connecting device does not exceed 4V. A difference in potential in excess may cause the connecting device or the sensor to malfunction.
 - 5) The sensor has a built-in terminating resistor. Be sure to turn ON the terminating resistor of the terminating sensor.
 - 6) Perform transition wiring for the transmission path.
 - 7) Connect the wires according to the specification of the equipment.

SENSING CHARACTERISTICS (TYPICAL)

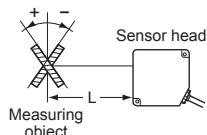
Correlation between measuring distance and error characteristics

Diffuse reflection type

White ceramic
Vertical orientation

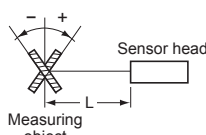


White ceramic
Horizontal orientation

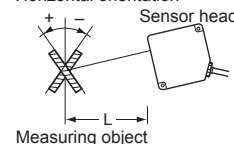


Specular reflection type

Aluminum vapor deposition
surface reflection mirror
Vertical orientation



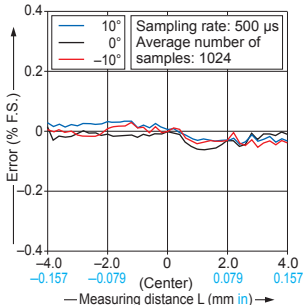
Aluminum vapor deposition
surface reflection mirror
Horizontal orientation



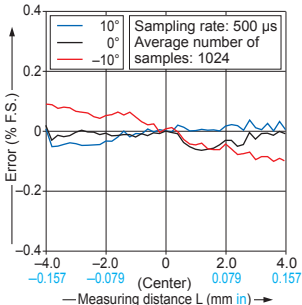
HL-G103

Diffuse reflection type

Vertical positioning



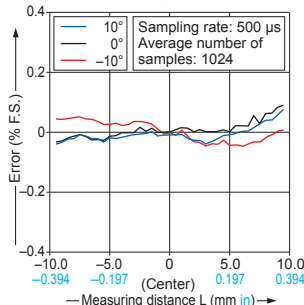
Horizontal positioning



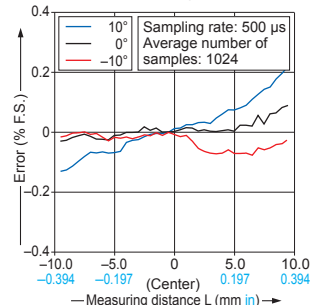
HL-G105

Diffuse reflection type

Vertical positioning



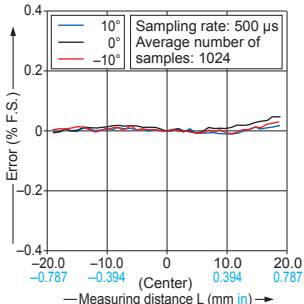
Horizontal positioning



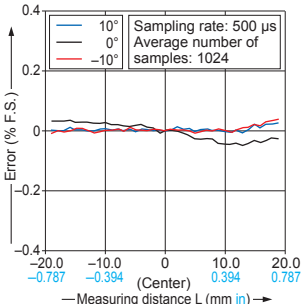
HL-G108

Diffuse reflection type

Vertical positioning



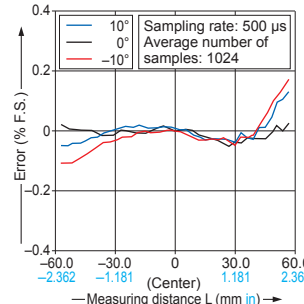
Horizontal positioning



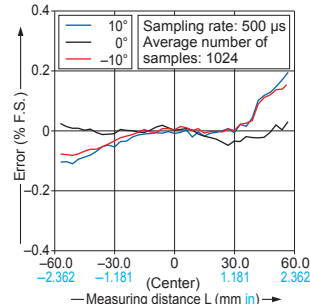
HL-G112

Diffuse reflection type

Vertical positioning



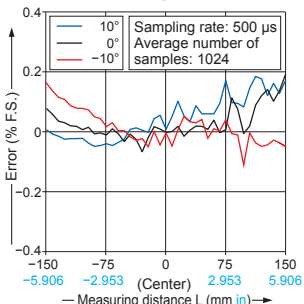
Horizontal positioning



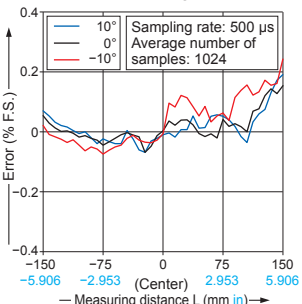
HL-G125

Diffuse reflection type

Vertical positioning



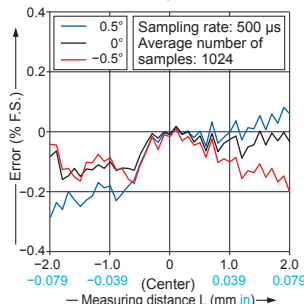
Horizontal positioning



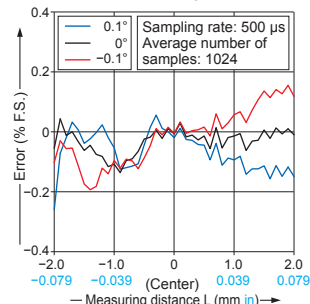
HL-G103A-R

Specular reflection type

Vertical positioning



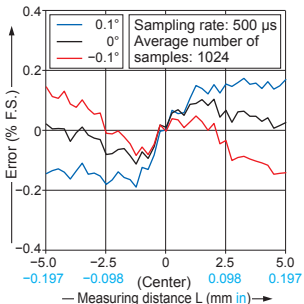
Horizontal positioning



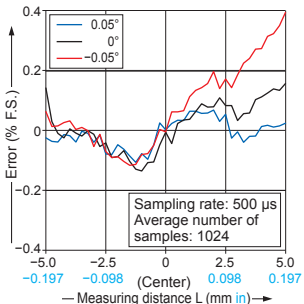
HL-G105A-R

Specular reflection type

Vertical positioning



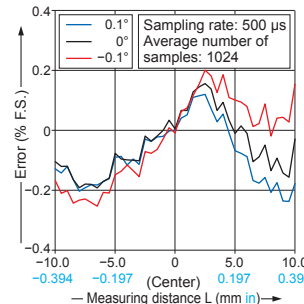
Horizontal positioning



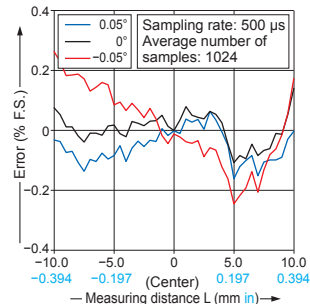
HL-G108A-R

Specular reflection type

Vertical positioning



Horizontal positioning



FIBER SENSORS

LASER SENSORS

PHOTO-ELECTRIC SENSORS

MICRO PHOTO-ELECTRIC SENSORS

AREA SENSORS

LIGHT CURTAINS / SAFETY COMPONENTS

PRESSURE / FLOW SENSORS

INDUCTIVE PROXIMITY SENSORS

PARTICULAR USE SENSORS

SENSOR OPTIONS

SIMPLE WIRE-SAVING UNITS

WIRE-SAVING SYSTEMS

MEASURE-MENT SENSORS

STATIC ELECTRICITY PREVENTION DEVICES

LASER MARKERS

PLC

HUMAN MACHINE INTERFACES

ENERGY CONSUMPTION VISUALIZATION COMPONENTS

FA COMPONENTS

MACHINE VISION SYSTEMS

UV CURING SYSTEMS

Selection Guide

Laser Displacement

Magnetic Displacement

Collimated Beam

Digital Panel Controller

Metal-sheet Double-feed Detection

HL-G1


HL-C2

HL-C1


- FIBER SENSORS
- LASER SENSORS
- PHOTO-ELECTRIC SENSORS
- MICRO PHOTO-ELECTRIC SENSORS
- AREA SENSORS
- LIGHT CURTAINS / SAFETY COMPONENTS
- PRESSURE / FLOW SENSORS
- INDUCTIVE PROXIMITY SENSORS
- PARTICULAR USE SENSORS
- SENSOR OPTIONS
- SIMPLE WIRE-SAVING UNITS
- WIRE-SAVING SYSTEMS
- MEASURE-MENT SENSORS
- STATIC ELECTRICITY PREVENTION DEVICES
- LASER MARKERS
- PLC
- HUMAN MACHINE INTERFACES
- ENERGY CONSUMPTION VISUALIZATION COMPONENTS
- FA COMPONENTS
- MACHINE VISION SYSTEMS
- UV CURRING SYSTEMS

PRECAUTIONS FOR PROPER USE


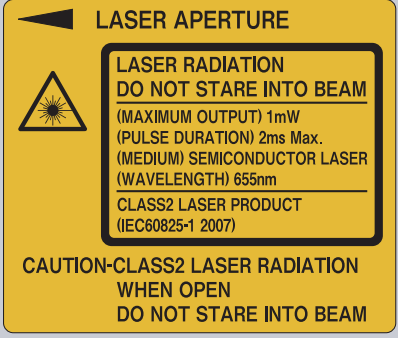
Refer to p.1501 for general precautions and p.1499~ for information about laser beam.



- Never use this product as a sensing device for personnel protection.
- In case of using sensing devices for personnel protection, use products which meet laws and standards, such as OSHA, ANSI or IEC etc., for personnel protection applicable in each region or country.
- This product has been developed / produced for industrial use.



- Do not operate products using methods other than the ones described in the instruction manual included with each product. Control or adjustment through procedures other than the ones specified may cause hazardous laser radiation exposure.
- The following label is attached to the product. Handle the product according to the instruction given on the warning label. (The Japanese, English, Chinese, Korean warning label is packed with the sensor.)

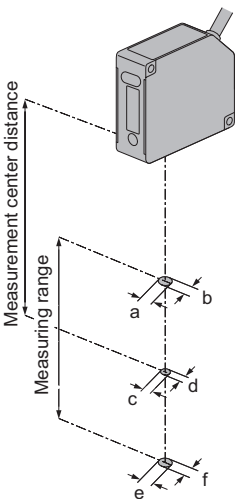



- This product is classified as a Class 2 (specular reflection type: Class 1) Laser Product in IEC / JIS standards and FDA* regulations. Do not look at the laser beam directly or through optical system such as a lens.

*This product complies with 21 CFR 1040.10 and 1040.11 Laser Notice No. 50, dated June 24, 2007, issued by CDRH (Center for Devices and Radiological Health) under the FDA (Food and Drug Administration).

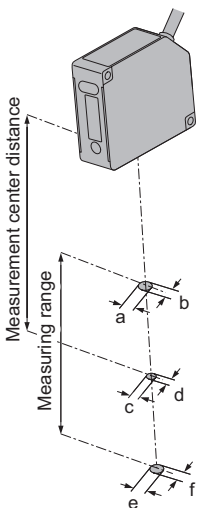
Beam diameter (Unit: mm in)

Diffuse reflection type



Model No.	Beam diameter					
	a	b	c	d	e	f
HL-G103-S-J	0.15	0.15	0.1	0.1	0.15	0.15
HL-G103-A-C5	0.006	0.006	0.004	0.004	0.006	0.006
HL-G105-S-J	1.2	0.6	1.0	0.5	0.9	0.4
HL-G105-A-C5	0.047	0.024	0.039	0.020	0.035	0.016
HL-G108-S-J	1.5	0.9	1.25	0.75	1.0	0.6
HL-G108-A-C5	0.059	0.030	0.049	0.030	0.039	0.024
HL-G112-S-J	1.8	1.2	1.5	1.0	0.8	0.5
HL-G112-A-C5	0.071	0.047	0.059	0.039	0.031	0.020
HL-G125-S-J	2.5	1.5	3.5	1.75	4.5	2.0
HL-G125-A-C5	0.098	0.059	0.138	0.069	0.177	0.079

Specular reflection type



Model No.	Beam diameter					
	a	b	c	d	e	f
HL-G103-RS-J	0.15	0.15	0.1	0.1	0.15	0.15
HL-G103-RA-C5	0.006	0.006	0.004	0.004	0.006	0.006
HL-G105-RS-J	0.15	0.15	0.1	0.1	0.15	0.15
HL-G105-RA-C5	0.006	0.006	0.004	0.004	0.006	0.006
HL-G108-RS-J	0.2	0.2	0.2	0.2	0.2	0.2
HL-G108-RA-C5	0.008	0.008	0.008	0.008	0.008	0.008

- Selection Guide
- Laser Displacement
- Magnetic Displacement
- Collimated Beam
- Digital Panel Controller
- Metal-sheet Double-feed Detection

- HL-G1
- HL-C2
- HL-C1

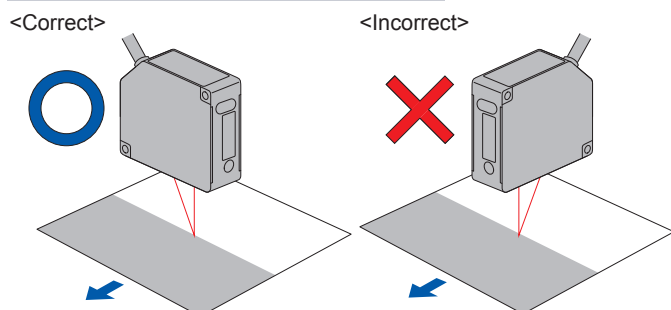
PRECAUTIONS FOR PROPER USE

Refer to p.1501 for general precautions and p.1499~ for information about laser beam.

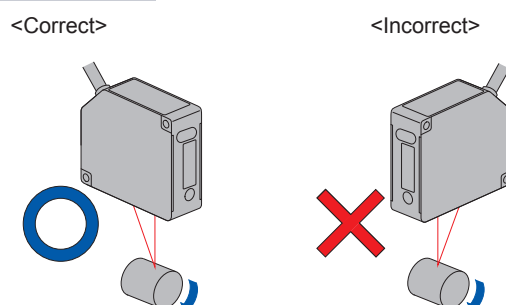
Sensor head mounting direction

- To obtain the greatest precision, the sensor head should be oriented facing the direction of movement of the object's surface, as shown in the figure below.

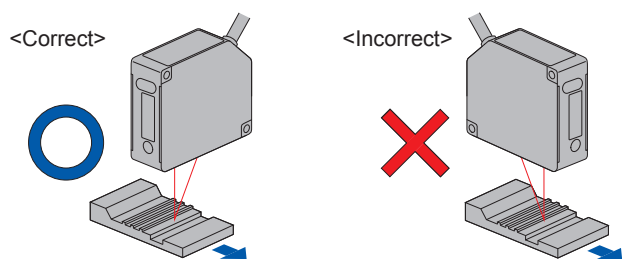
Object with variations in material or color



Rotating object



Object that has large differences in gaps, grooves and colors



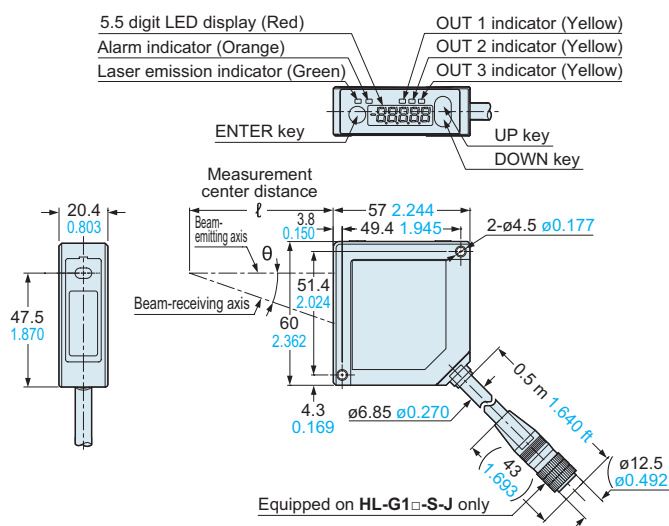
DIMENSIONS (Unit: mm in)

The CAD data in the dimensions can be downloaded from our website.

HL-G1□-A-C5 HL-G1□-S-J

Sensor head

Model No.	Measurement center distance (ℓ)	θ
HL-G103-A-C5 HL-G103-S-J	30 mm 1.181 in	30°
HL-G105-A-C5 HL-G105-S-J	50 mm 1.969 in	21°
HL-G108-A-C5 HL-G108-S-J	85 mm 3.346 in	15°
HL-G112-A-C5 HL-G112-S-J	120 mm 4.724 in	11°
HL-G125-A-C5 HL-G125-S-J	250 mm 9.843 in	6.2°



FIBER SENSORS

LASER SENSORS

PHOTO-ELECTRIC SENSORS

MICRO PHOTO-ELECTRIC SENSORS

AREA SENSORS

LIGHT CURTAINS / SAFETY COMPONENTS

PRESSURE / FLOW SENSORS

INDUCTIVE PROXIMITY SENSORS

PARTICULAR USE SENSORS

SENSOR OPTIONS

SIMPLE WIRE-SAVING UNITS

WIRE-SAVING SYSTEMS

MEASUREMENT SENSORS

STATIC ELECTRICITY PREVENTION DEVICES

LASER MARKERS

PLC

HUMAN MACHINE INTERFACES

ENERGY CONSUMPTION VISUALIZATION COMPONENTS

FA COMPONENTS

MACHINE VISION SYSTEMS

UV CURING SYSTEMS

Selection Guide

Laser Displacement

Magnetic Displacement

Collimated Beam

Digital Panel Controller

Metal-sheet Double-feed Detection

HL-G1

HL-C2

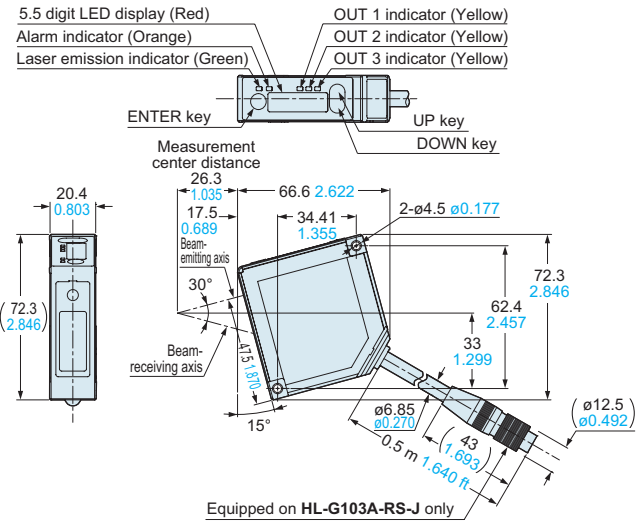
HL-C1

DIMENSIONS (Unit: mm in)

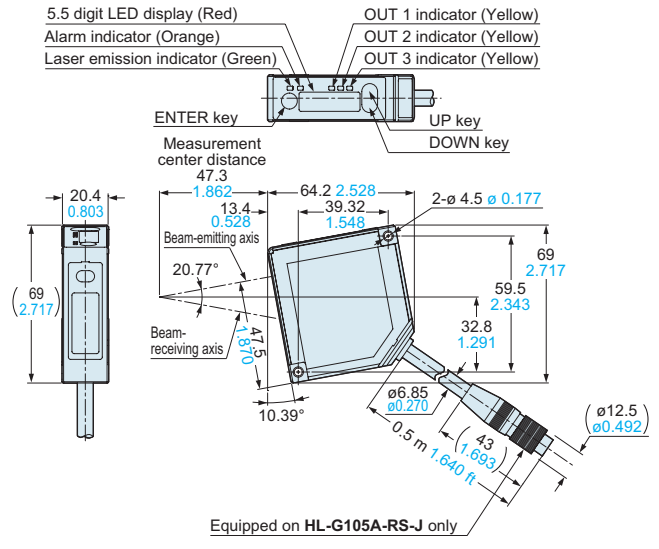
The CAD data in the dimensions can be downloaded from our website.

- FIBER SENSORS
- LASER SENSORS
- PHOTO-ELECTRIC SENSORS
- MICRO PHOTO-ELECTRIC SENSORS
- AREA SENSORS
- LIGHT CURTAINS/ SAFETY COMPONENTS
- PRESSURE / FLOW SENSORS
- INDUCTIVE PROXIMITY SENSORS
- PARTICULAR USE SENSORS
- SENSOR OPTIONS
- SIMPLE WIRE-SAVING UNITS
- WIRE-SAVING SYSTEMS
- MEASURE-MENT SENSORS
- STATIC ELECTRICITY PREVENTION DEVICES
- LASER MARKERS
- PLC
- HUMAN MACHINE INTERFACES
- ENERGY CONSUMPTION VISUALIZATION COMPONENTS
- FA COMPONENTS
- MACHINE VISION SYSTEMS
- UV CURING SYSTEMS
- Selection Guide
- Laser Displacement
- Magnetic Displacement
- Collimated Beam
- Digital Panel Controller
- Metal-sheet Double-feed Detection
- HL-G1**
- HL-C2
- HL-C1

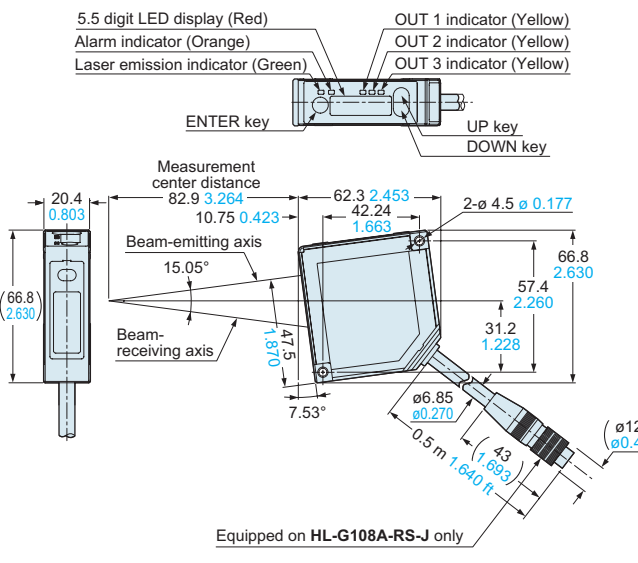
HL-G103A-RA-C5 HL-G103A-RS-J Sensor head



HL-G105A-RA-C5 HL-G105A-RS-J Sensor head



HL-G108A-RA-C5 HL-G108A-RS-J Sensor head



HL-G1CCJ Extension cable (Optional)

Model No.	L
HL-G1CCJ2	2,000 ⁺²⁰⁰ ₀ 78.740 ^{+7.874} ₀
HL-G1CCJ5	5,000 ⁺⁵⁰⁰ ₀ 196.850 ^{+19.685} ₀
HL-G1CCJ10	10,000 ^{+1,000} ₀ 393.701 ^{+39.370} ₀
HL-G1CCJ20	20,000 ^{+2,000} ₀ 787.402 ^{+78.740} ₀

