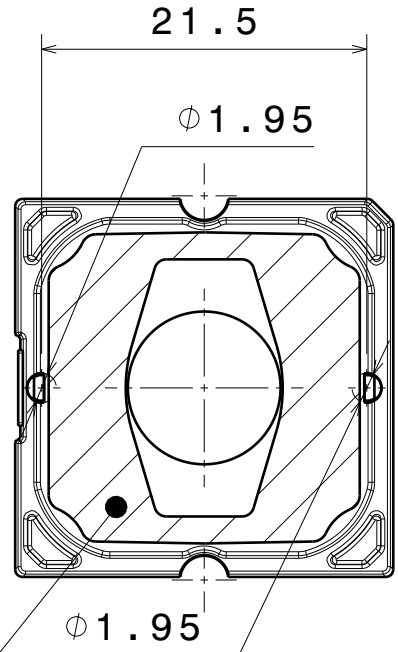
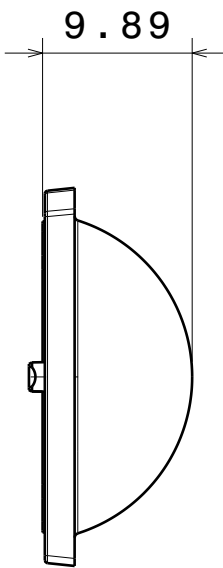
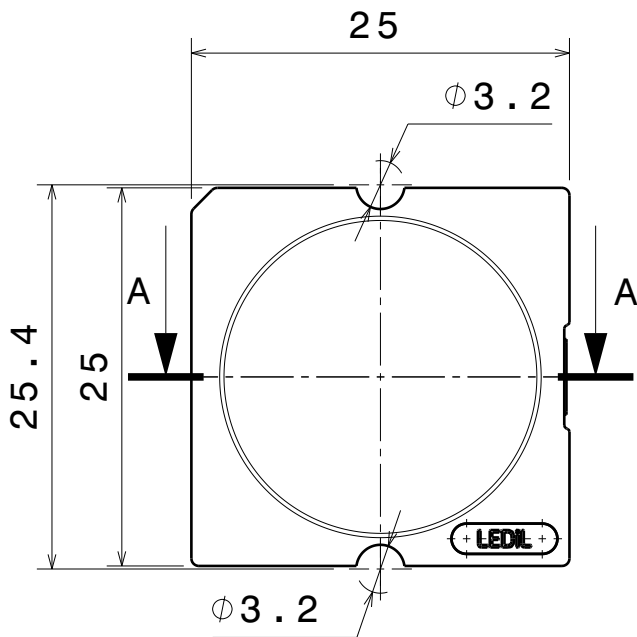


4

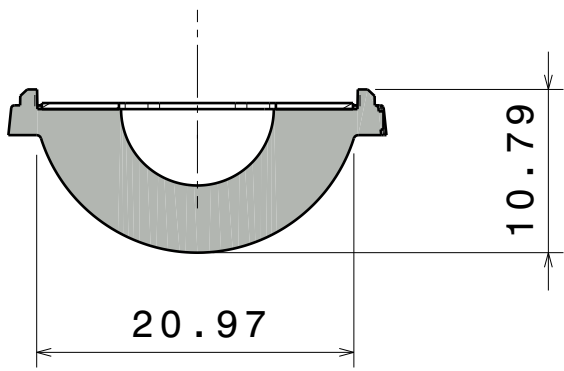
4



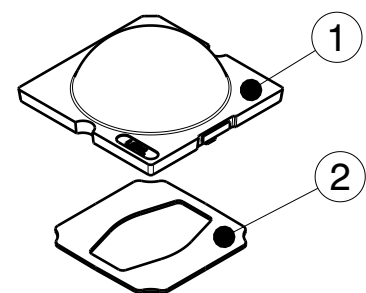
Adhesive
hatched area

3

3



Section view A-A
Scale: 2:1



Exploded view
Scale: 1:1

2

2

| INDEX | PART NO | DESCRIPTION | MATERIAL | COLOUR |
|-------|---------|-----------------------|----------------------|----------|
| 1 | C16029 | STRADA-SQ-C_MechModel | PMMA | clear |
| 2 | C14564 | ROSE-TAPE | PU 2-sided foam tape | adhesive |

Tolerances if not otherwise shown
According to DIN ISO 2768-1
Linear measures:
Up to 30mm class M, otherwise class C.
According to DIN ISO 2768-2
Form and position: class L

LEDiL Ledil Oy
Salorankatu 10
FIN 24240 SALO
Finland

FIRST ANGLE PROJECTION:

DRAWING TITLE
CA16031_STRADA-SQ-C_Datasheet

This drawing is the property of LEDiL Oy. It may not be reproduced, copied or communicated without a written agreement with LEDiL Oy.

| | |
|-----------|----------------|
| SIZE | PART NUMBER |
| A4 | CA16031 |

| | | | | | |
|-------|-----|--------|--------|-------|-----|
| SCALE | 2:1 | WEIGHT | 2,91 g | SHEET | 1/1 |
|-------|-----|--------|--------|-------|-----|

1

1

D

A