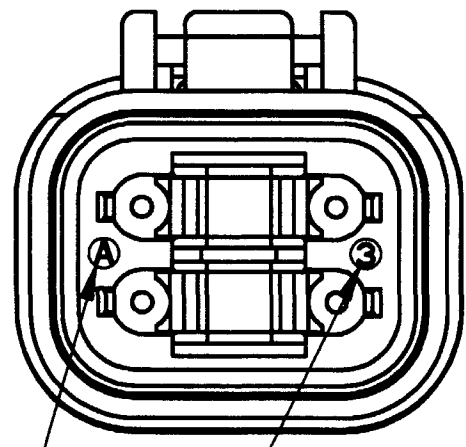
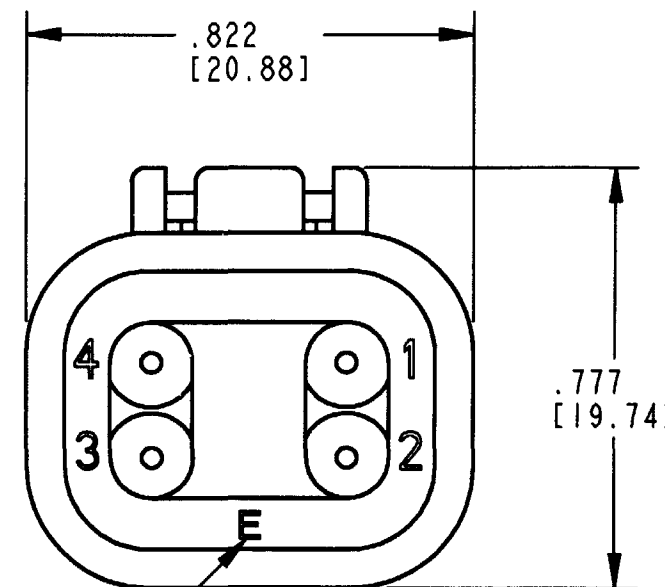
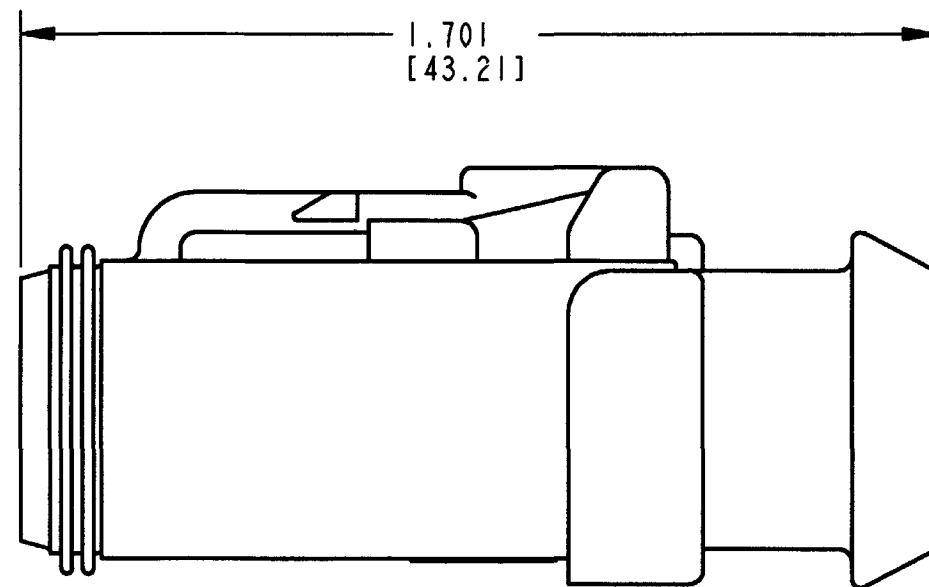


REV
NC DT06-4S-CE13

| REVISIONS | | | |
|-----------|-----------------------------|--------|----------|
| SYM | DESCRIPTION | DATE | APPROVED |
| NC | NEW RELEASE PER E.O. P18226 | 8-6-03 | RDR |
| | | | |
| | | | |



DATE CODE: YEAR TO BE REPRESENTED BY LAST NUMERICAL DIGIT. EX: 3 = 2003. MONTH USES SEQUENTIAL ALPHA CHARACTERS. EX: A = JANUARY.



-E- SYMBOL DESIGNATES REDUCED WIRE SEAL

| CONTACT SIZE | MIN. INSUL. O.D. | MAX. INSUL. O.D. | WIRE RANGE [mm ²] REF ONLY ³ |
|--------------|------------------|------------------|---|
| 16 | .053 [1.35] | .120 [3.05] | 14-20 AWG [2.0-0.5] |

- 5. MATERIAL: SHELL: PLASTIC; SEAL: RUBBER
- 4. THIS PLUG MATES WITH THE DT04-4P-**** RECEPTACLE. (**** = ALL MODIFICATIONS) CONSULT FACTORY FOR MODIFICATIONS.

³ FOR CONTACTS AND WIRE PERFORMANCE AND CHARACTERISTICS, SEE ENVELOPE DRAWINGS 0425-015-0000 AND 0425-017-0000.

- 2. ALL DIMENSIONS ARE ±.025[.64] UNLESS OTHERWISE SPECIFIED.

NOTES: 1. ALL DIMENSIONS ARE IN INCHES [MILLIMETERS].

| SIGNATURE & DATE | |
|------------------|----------------------------|
| DR | X. SANCHEZ 20 JUN 03 |
| CHK | <i>[Signature]</i> 8/5/03 |
| PE | <i>[Signature]</i> 8/10/03 |
| APPD | <i>[Signature]</i> 8-6-03 |
| SCALE | NONE |
| WT | |

4 WAY PLUG
-CE13 MOD.
COLOR: BLACK
DT SERIES

ENVELOPE

| | |
|---|-----------------------|
| CP | MATL. CODE |
| The Deutsch Company DEUTSCH I.P.D. 3850 INDUSTRIAL AVE. HENET, CALIF. 92545 | |
| B | DT06-4S-CE13 |
| DWG SIZE | CODE 11130 SHEET OF |