

TABLE 3

# POSITIONS	"D"	"E"
-05	N/A	N/A
-08	N/A	N/A
-20	.276 [7.00]	N/A
-30	.394 [10.00]	N/A
-40	.591 [15.00]	N/A
-50	.787 [20.00]	N/A
-60	.591 [15.00]	.630 [16.00]
-70	1.024 [26.00]	1.222 [31.04]

UNLESS OTHERWISE SPECIFIED
TOLERANCES ARE:

DECIMALS

.X: $\pm .010 [0.25]$
.XX: $\pm .005 [0.12]$
.XXX: $\pm .002 [0.51]$

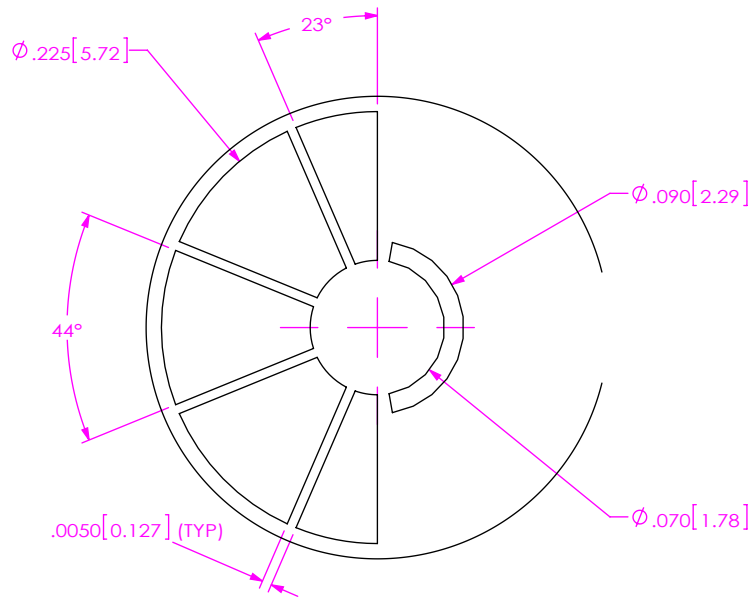
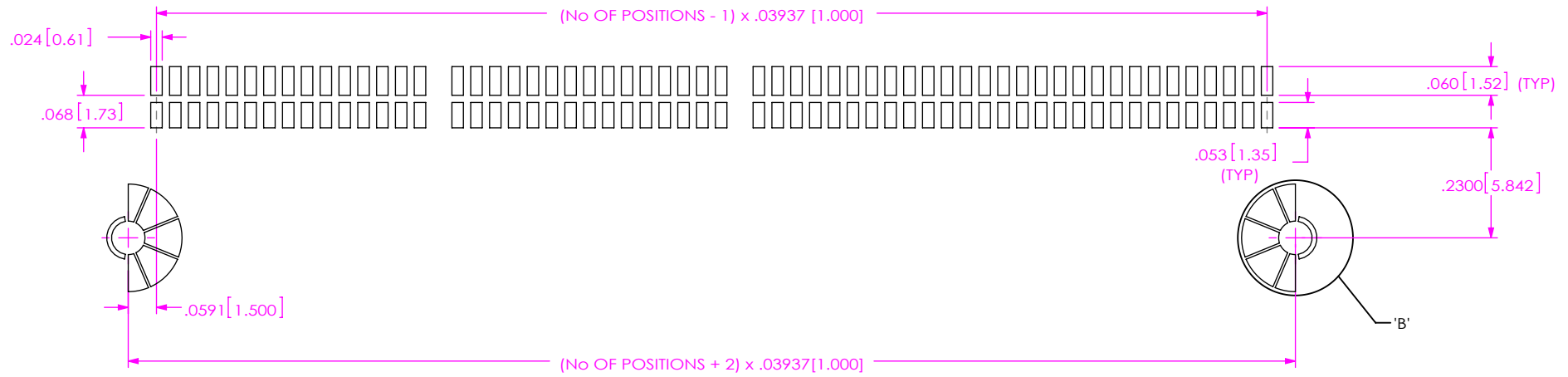


PROPRIETARY NOTE
THIS DOCUMENT CONTAINS CONFIDENTIAL AND PROPRIETARY INFORMATION AND ALL DESIGN, MANUFACTURING, REPRODUCTION, USE, PATENT RIGHTS AND SALES RIGHTS ARE EXPRESSLY RESERVED BY SAMTEC, INC. THIS DOCUMENT SHALL NOT BE DISCLOSED, IN WHOLE OR PART, TO ANY UNAUTHORIZED PERSON OR ENTITY NOR REPRODUCED, TRANSFERRED OR INCORPORATED IN ANY OTHER PROJECT IN ANY MANNER WITHOUT THE EXPRESS WRITTEN CONSENT OF SAMTEC, INC.

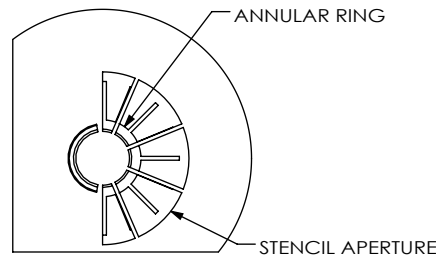


520 PARK EAST BLVD, NEW ALBANY, IN 47150
PHONE: 812-944-6733 FAX: 812-948-5047
e-Mail info@SAMTEC.com code 55322

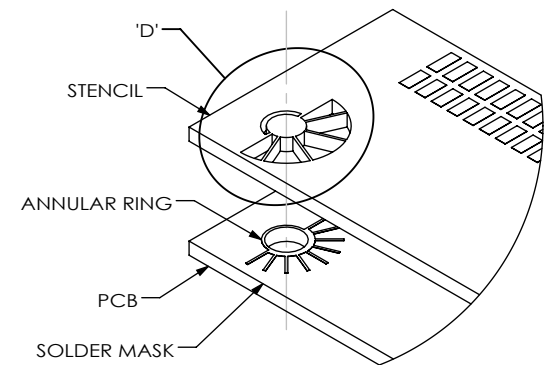
NOTE:
STENCIL TO BE .0060[.152] THICK.



DETAIL 'B'
SCALE 10 : 1



DETAIL 'D'
SCALE 4 : 1



• PROPRIETARY NOTE •
THIS DOCUMENT CONTAINS CONFIDENTIAL AND PROPRIETARY INFORMATION AND ALL DESIGN, MANUFACTURING, REPRODUCTION, USE, PATENT RIGHTS AND SALES RIGHTS ARE EXPRESSLY RESERVED BY SAMTEC, INC. THIS DOCUMENT SHALL NOT BE DISCLOSED, IN WHOLE OR PART, TO ANY UNAUTHORIZED PERSON OR ENTITY NOR REPRODUCED, TRANSFERRED OR INCORPORATED IN ANY OTHER PROJECT IN ANY MANNER WITHOUT THE EXPRESS WRITTEN CONSENT OF SAMTEC, INC.



520 PARK EAST BLVD, NEW ALBANY, IN 47150
PHONE: 812-944-6733 FAX: 812-948-5047
e-Mail info@SAMTEC.com code 55322

TABLE 1

POSITION	"A" (CARD SLOT 1)	"B" (CARD SLOT 2)	"F"	"G"
-05	.094 [2.39]	N/A	0.266 [6.75]	0.1576 [4.003]
-08	.133 [3.38]	N/A	0.384 [9.75]	0.2758 [7.005]
-20	.330 [8.38]	N/A	0.857 [21.76]	0.7486 [19.014]
-30	.448 [11.38]	N/A	1.251 [31.77]	1.1426 [29.022]
-40	.645 [16.38]	N/A	1.645 [41.78]	1.5366 [39.030]
-50	.842 [21.39]	N/A	2.039 [51.79]	1.9306 [49.037]
-60	.645 [16.38]	1.275 [32.37]	2.433 [61.79]	2.3246 [59.045]
-70	1.078 [27.38]	2.298 [58.37]	2.827 [71.80]	2.7186 [69.052]

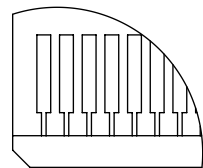
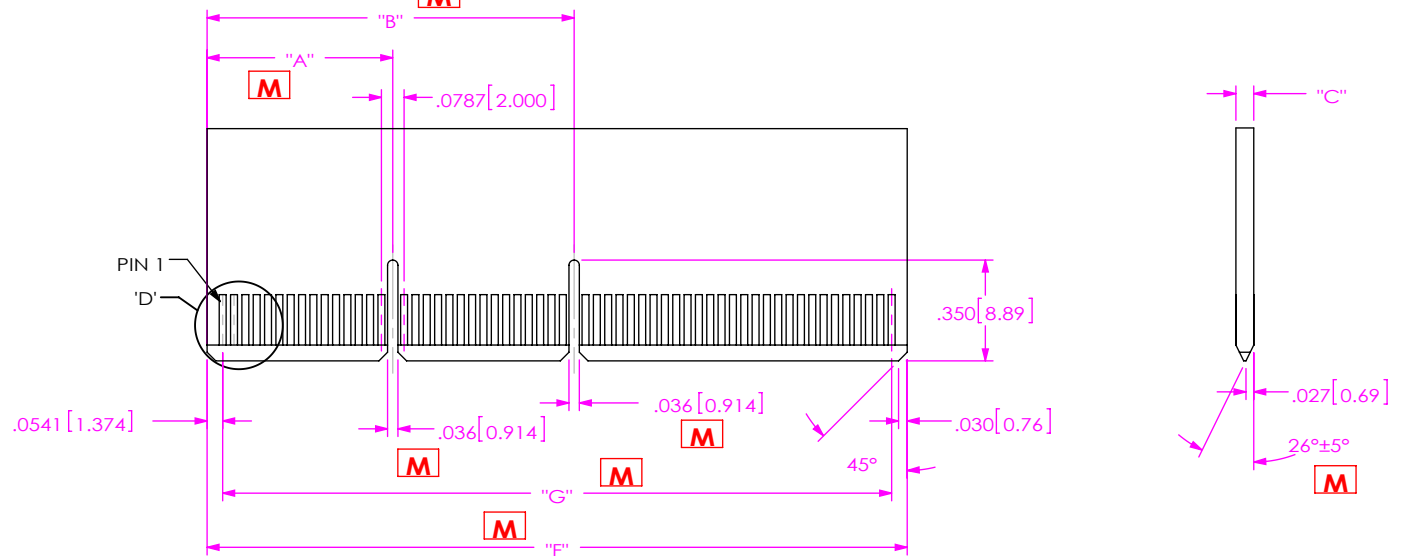
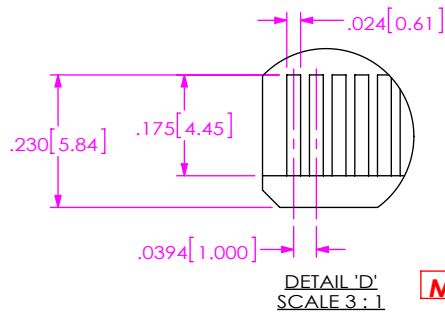
NOTES:

1. -60 AND -70 ARE THE ONLY TWO CARDS THAT HAVE TWO SLOTS.
2. MIRROR IMAGE FOOTPRINT ON THE OTHER SIDE OF PCB.
3. FOR NON-POLARIZED OPTION, REPLACE SLOTS WITH TRACES.
4. ALL DIMENSIONS ARE SYMMETRIC ABOUT CENTERLINE.
5. PLATING TO BE .000030 INCHES GOLD WITH HARDNESS 130-200 KNOOP PER ASTM B488 TYPE 2, GRADE C.
6. POSITIONS -05, -08, -20 & -30 ARE POLARIZED UNLESS OTHERWISE NOTED WITH OPTION -NP.
7. FOR PROPER CONTACT REGISTRATION, PLATING BUS TIES TO BE WIDTH OF THE EDGE FINGER.

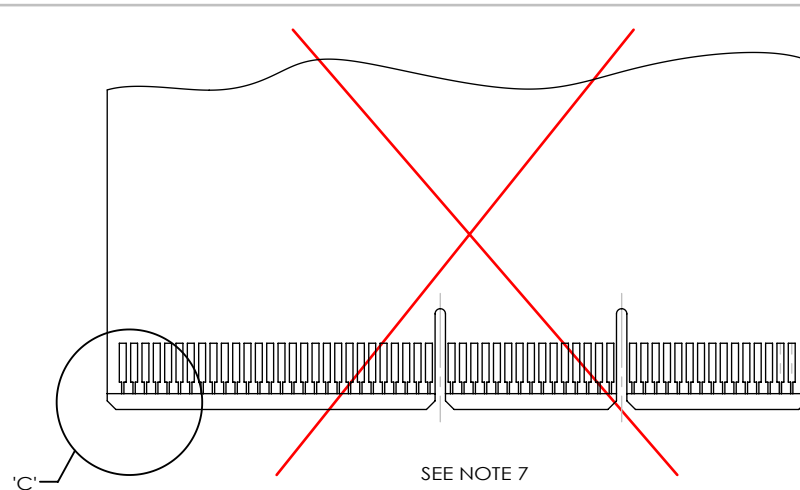


MEC1-160-02-X-D
(POLARIZED OPTION SHOWN)

TABLE 2	
CARD THICKNESS	"C"
-01	.0310±.0031 [0.787±0.078]
-02	.0620±.0047 [1.575±0.119]



DETAIL 'C'
SCALE 3:1



PROPRIETARY NOTE
THIS DOCUMENT CONTAINS CONFIDENTIAL AND PROPRIETARY INFORMATION AND ALL DESIGN, MANUFACTURING, REPRODUCTION, USE, PATENT RIGHTS AND SALES RIGHTS ARE EXPRESSLY RESERVED BY SAMTEC, INC. THIS DOCUMENT SHALL NOT BE DISCLOSED, IN WHOLE OR PART, TO ANY UNAUTHORIZED PERSON OR ENTITY NOR REPRODUCED, TRANSFERRED OR INCORPORATED IN ANY OTHER PRODUCT IN ANY MANNER WITHOUT THE EXPRESS WRITTEN CONSENT OF SAMTEC, INC.



520 PARK EAST BLVD, NEW ALBANY, IN 47150
PHONE: 812-944-6733 FAX: 812-948-5047
e-Mail info@SAMTEC.com code 55322