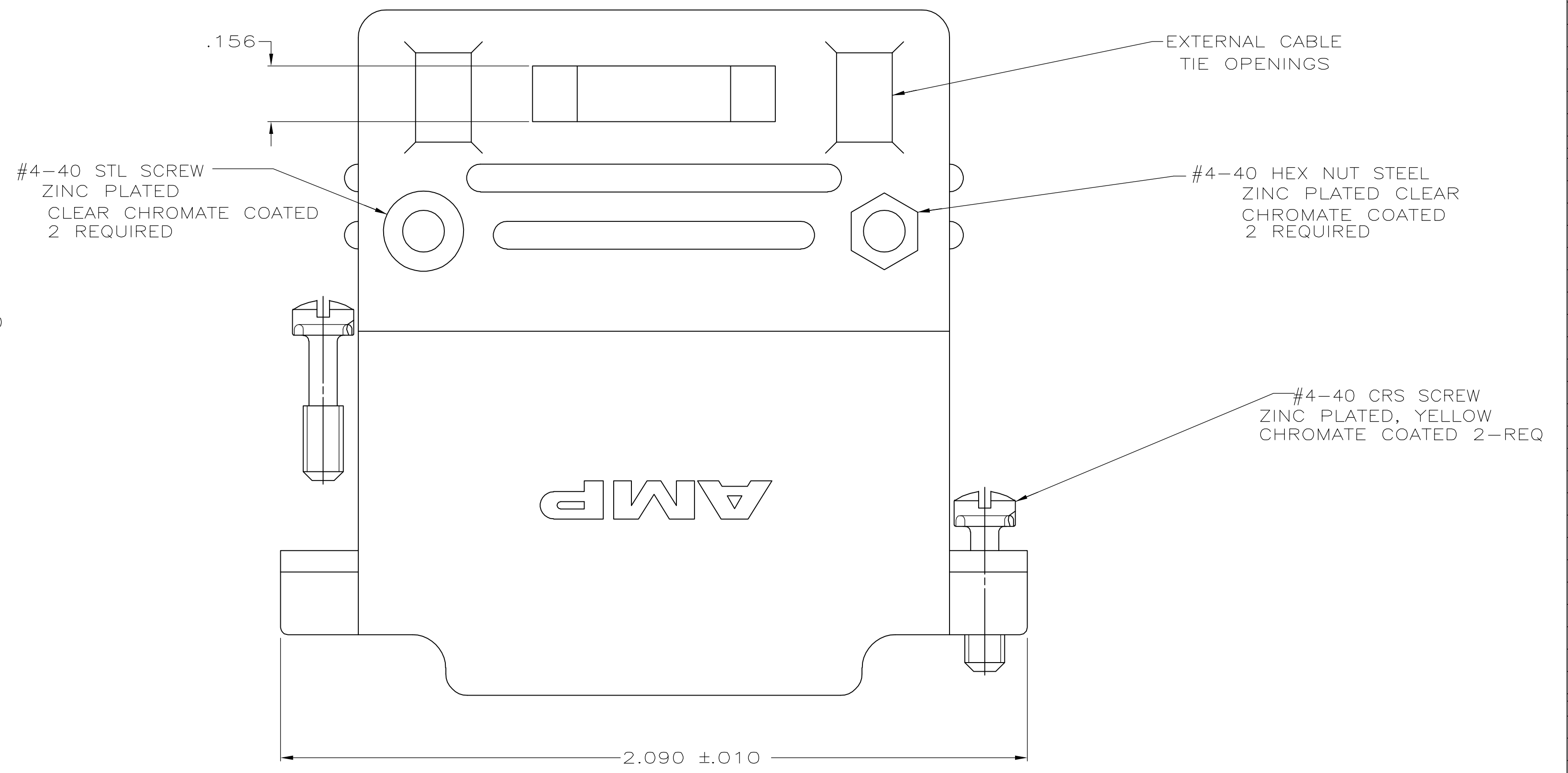
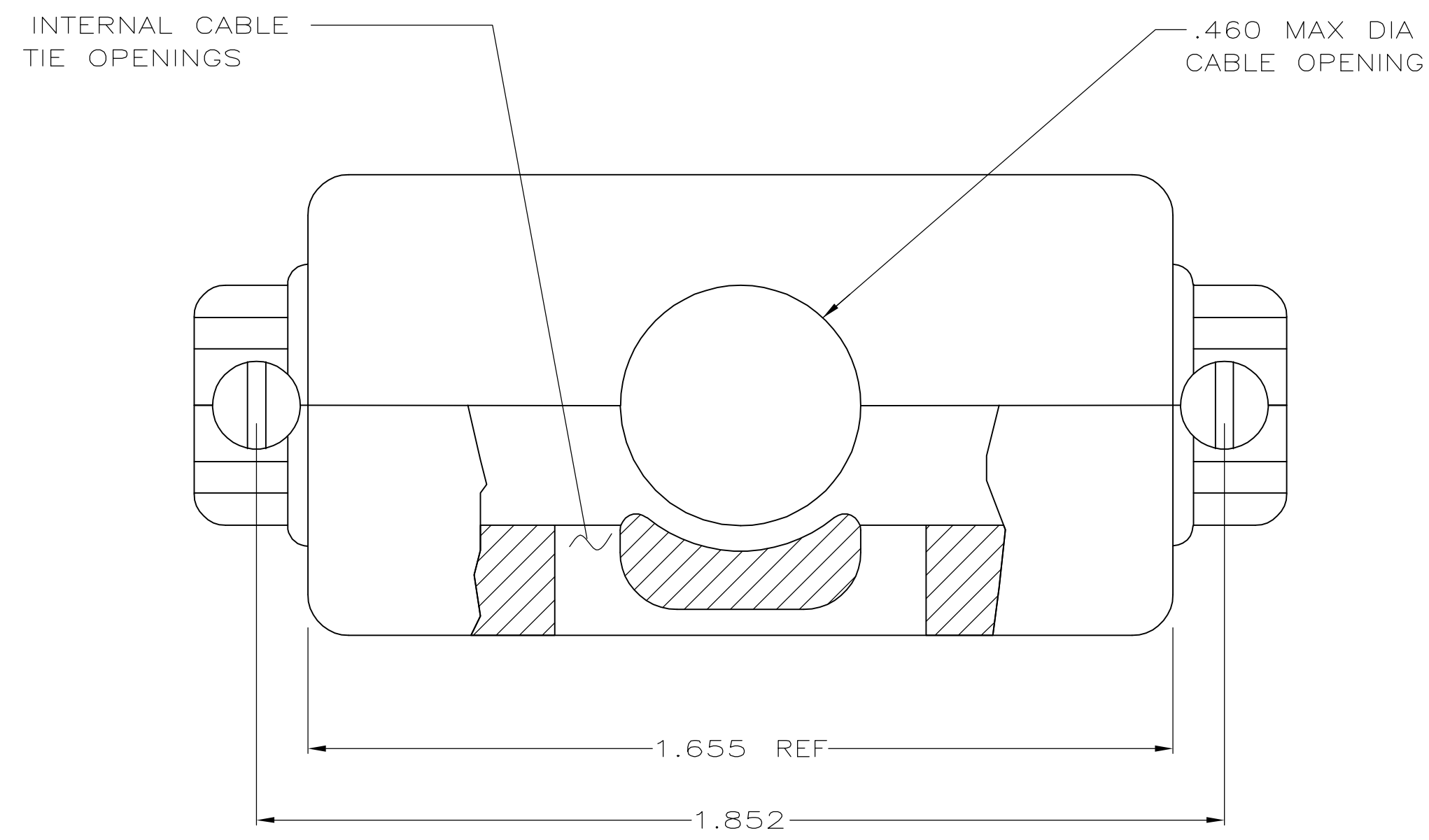
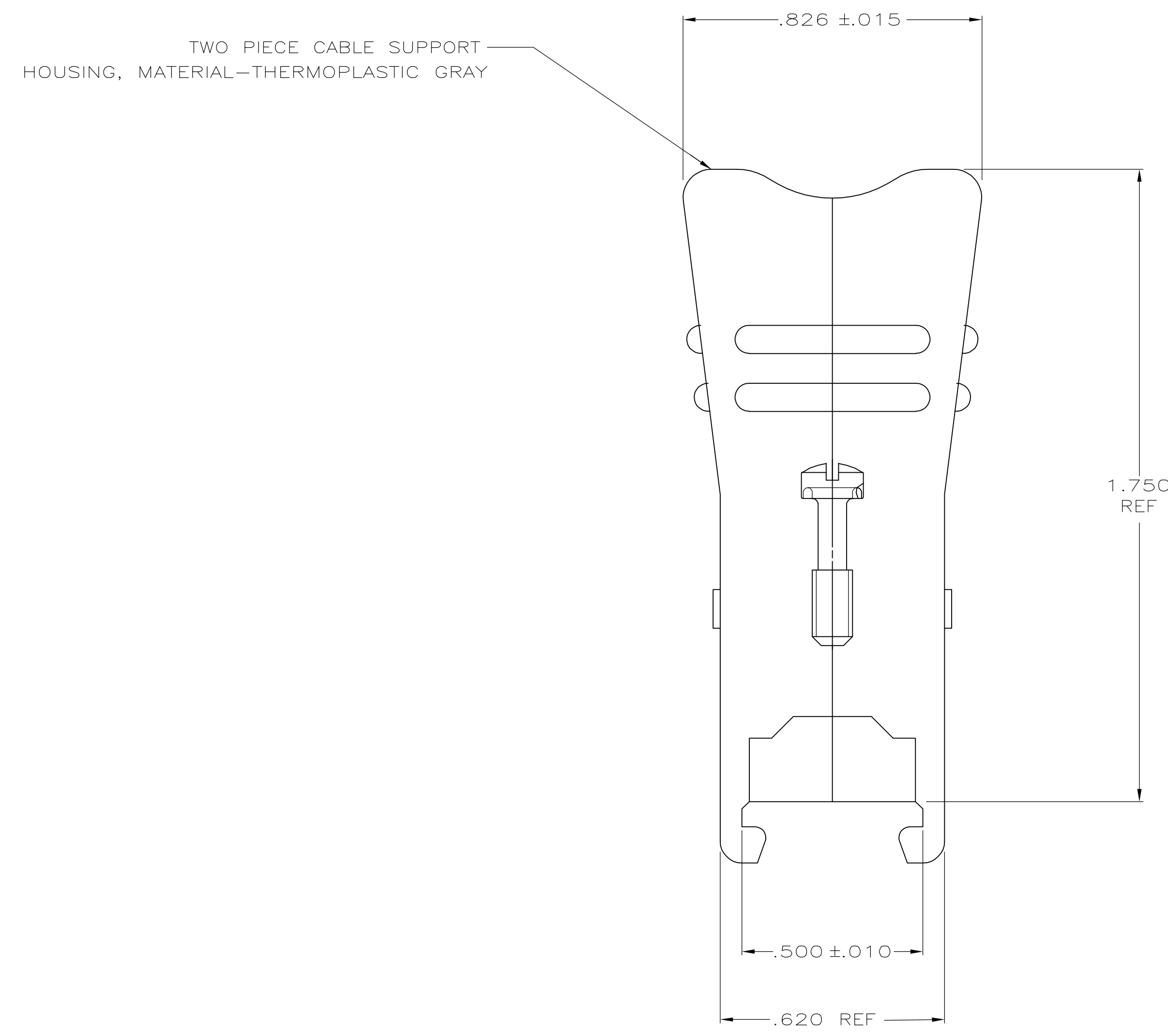


- 1 THIS PART WILL FIT ANY SIZE 3 PLUG OR RECEPTACLE IN THE AMPLIMITE SERIES .
- 2 ALL PARTS ARE PACKAGED UNASSEMBLED.
- ③ ONE KIT PER POLY BAG.



③	5745134-1
PACKAGING	PART NUMBER

THIS DRAWING IS A CONTROLLED DOCUMENT.		DWN R. RICHARDSON 15SEP05	<p>Tyco Electronics Corporation Harrisburg, PA 17105-3608</p>
DIMENSIONS: INCHES		CHK C. ROHDFE 15SEP05	
TOLERANCES UNLESS OTHERWISE SPECIFIED:		APPD M. WALMSLEY 15SEP05	NAME
0 PLC ± -	1 PLC ± -	PRODUCT SPEC	CABLE SUPPORT ASSEMBLY, SIZE 3, 25 POSITION, AMPLIMITE HD-20
2 PLC ± -	3 PLC ± .005	APPLICATION SPEC	
4 PLC ± -	ANGLES ± -	SIZE	A1
MATERIAL SEE CALLOUTS	FINISH SEE CALLOUTS	WEIGHT	000779 C=5745134
		CUSTOMER DRAWING	SCALE 4:1 SHEET 1 OF 1 REV 0