

PART NAME: HANDLE

SCALE: 1:1

DATE: 4/4/05

DR. BY DD



DESIGNERS & MANUFACTURERS OF KNOBS, HANDLES, CASES & CUSTOM PLASTIC COMPONENTS

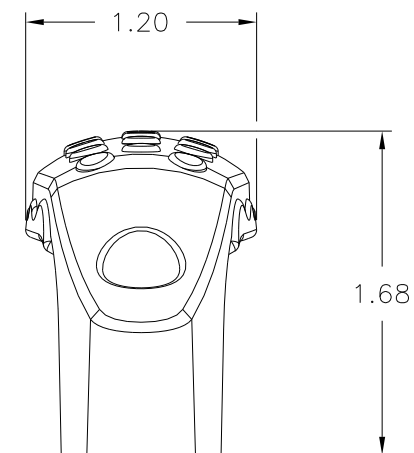
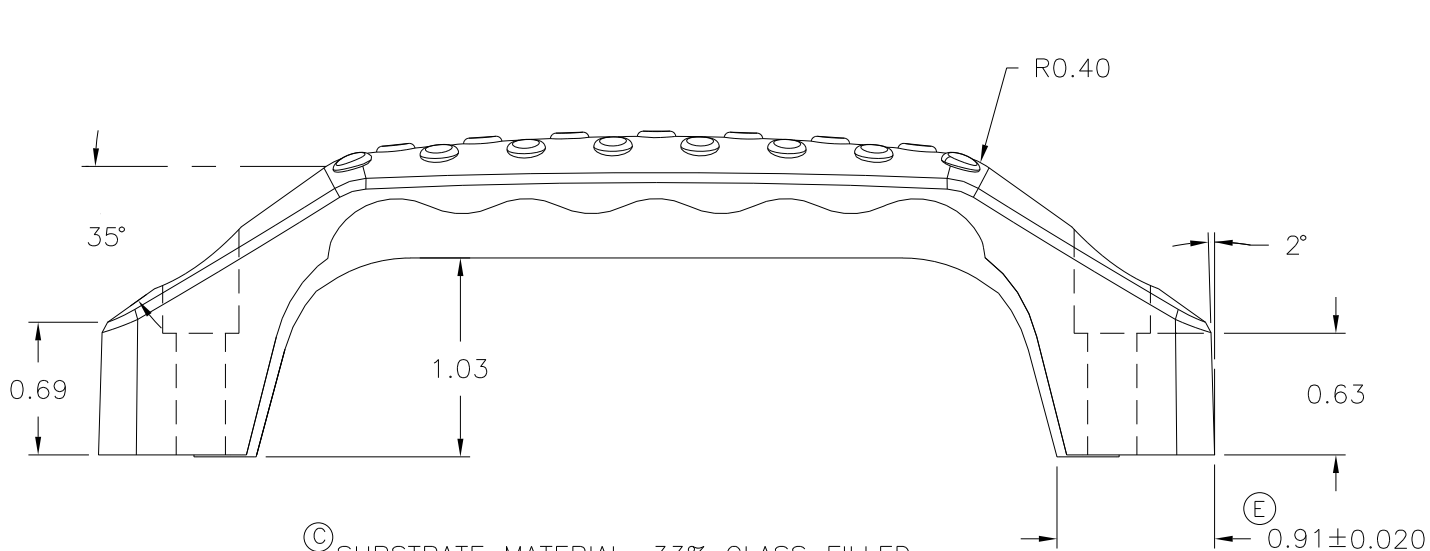
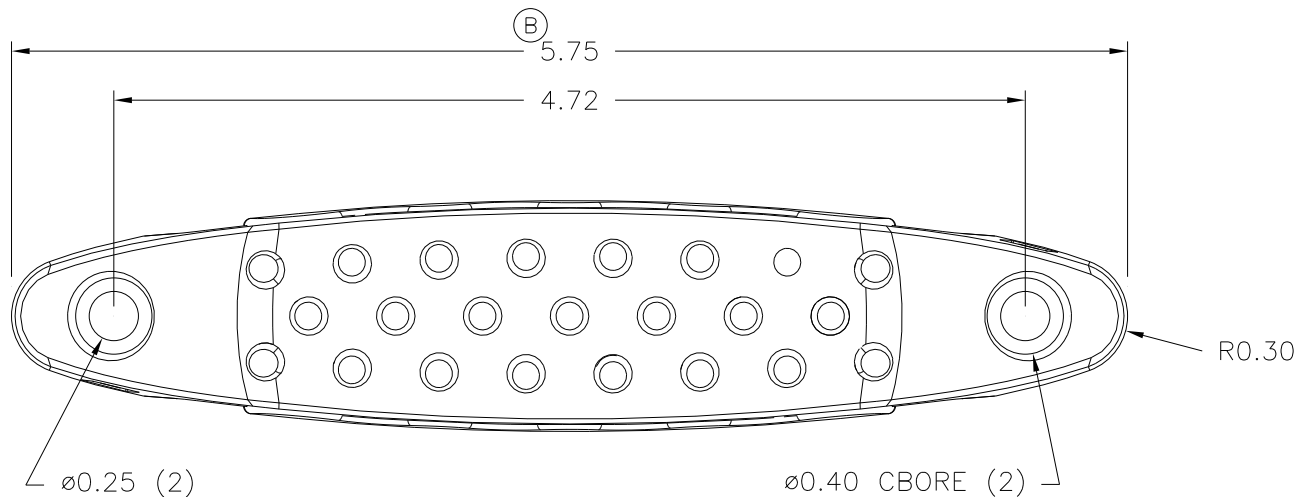
P/N 4570B0

M NO. 4570

PIN 4570

INSERT NONE

THIS DRAWING IS THE PROPERTY OF DAVIES MOLDING COMPANY, IS SUBMITTED SOLELY AS A DESIGN OR ENGINEERING PROJECT. WE ACCEPT NO RESPONSIBILITY WHATSOEVER FOR THE PRACTICAL APPLICATION OF THE PIECES MADE TO THIS DESIGN.



© SUBSTRATE MATERIAL: 33% GLASS FILLED
 NYLON (CL5) (A) (D)
 COLOR: BLACK (PC-301) (D)

OVERMOLD MATERIAL: TPE (TPE1)
 COLOR: ORANGE (MC38471-A)

TOLERANCES:
 UNLESS OTHERWISE SPECIFIED

DO NOT SCALE
 DRAWING

DECIMALS: X.XXX ± .005
 X.XX ± .015

MM: X.XX ± 0.15MM
 X.X ± 0.4MM

FRACTIONS ± 1/64

ANG. ± 1°

E	WAS 0.82	JAM	8/7/14
D	WAS (BD1), ADDED COLOR #	JAM	10/12/09
C	ADDED COLOR CODE UPDATED MATERIALS	DS	10/4/06
B	WAS 5.78	JAM	5/25/05
A	WAS SANTOPRENE	JAM	5/19/05

CHANGES