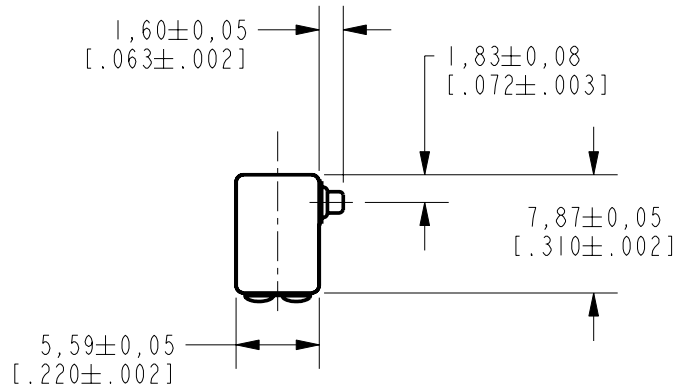
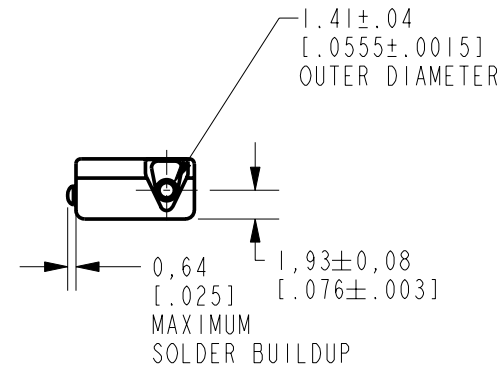
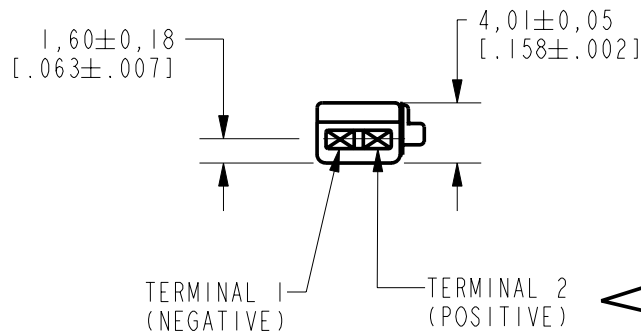


EF-26692-116  
SHT 1.1



NOTES:

A POSITIVE GOING VOLTAGE AT TERMINAL 2, RELATIVE TO TERMINAL 1, CAUSES A DECREASE IN PRESSURE AT THE SOUND OUTLET.



NOMINAL WEIGHT  
.66 GRAM

DIMENSIONS IN MILLIMETERS [INCHES]

Revision	C.O. #	Implementation Date	RELEASE LEVEL	REVISION
			Released	A
A	CI0103438	8-24-06		

**KNOWLES ELECTRONICS**  
ITASCA, ILLINOIS U.S.A.

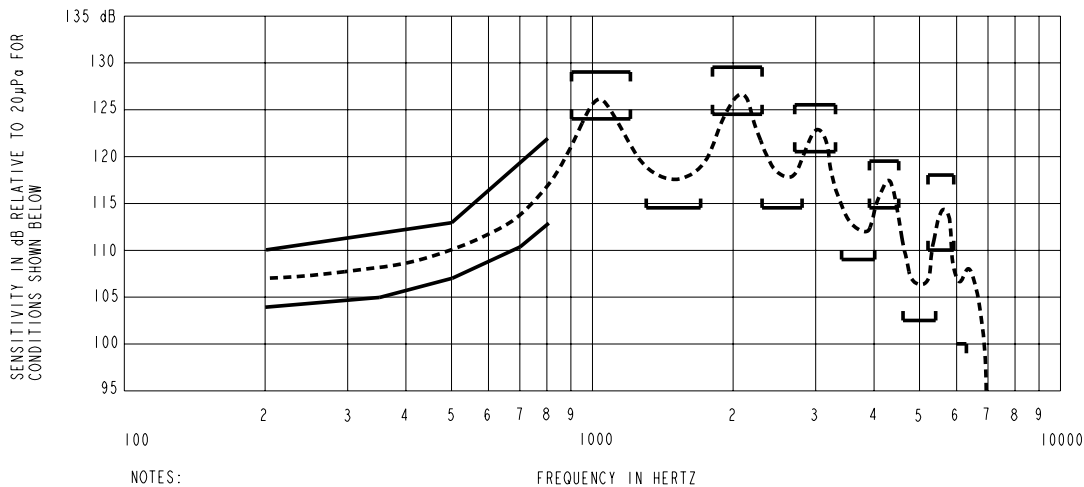
SCALE:	2:1	DR. BY	DATE
DO NOT SCALE DRAWING		LSY	8-24-06
TITLE:	RECEIVER	CK. BY	DATE
	OUTLINE DRAWING	GJP	9-2-06
		APP. BY	DATE
		GJP	9-2-06

EF-26692-116

SHT 1.1

NO DAMPING

EF-26692-116  
SHEET 2.1



NOTES:

FREQUENCY IN HERTZ

1. MEASUREMENTS MADE USING 8mm (.315") X 1mm (.039") ID + 28mm (1.10") X 1.5mm (.059") ID EAR HOOK SIMULATOR INTO 25mm (.984") OF 2mm (.079") ID TUBE + 18mm (.709") OF 3mm (.118") ID TUBE + 2cm<sup>3</sup> CAVITY (AS IEC126). (T-2607 AND B & K DB0138).

2. SENSITIVITY

FREQUENCY	MIN.	MAX.
200	104.0	110.0
350	105.0	---
500	107.0	113.0
700	110.5	---
800	113.0	122.0
900-1200	124.0	129.0
1300-1700	114.5	---
1800-2300	124.5	129.5
2300-2800	114.5	---
2700-3300	120.5	125.5
3400-4000	109.0	---
3900-4500	114.5	119.5
4600-5400	102.5	---
5200-5900	110.0	118.0
<6300	100.0	---

- RESPONSE, IMPEDANCE, AND DISTORTION MEASUREMENTS MADE USING THE ELECTRICAL TEST CONDITIONS SHOWN BELOW.
- ELECTRICAL SOURCE IMPEDANCE MUST BE GREATER THAN 20 TIMES 1KHz IMPEDANCE FOR TEST CONDITIONS SHOWN BELOW.
- INDIVIDUAL SPECIFICATIONS.

PORT LOCATION	IMPEDANCE OHMS ±15%		DCR @20°C OHMS ±10%	DISTORTION		ELECTRICAL TEST CONDITIONS	
	1KHz	500Hz		MAX. %	FREQ Hz	AC mA RMS	DC mA
2S	555	300	290	10	500	1.45	0.0

6. SUFFIX DESCRIPTION  
CHECK FOR MAGNETIC RADIATION AS FOLLOWS  
DRIVE MODULE WD261  
FIXTURE: TK-2340  
ORIENTATION: COVER DOWN  
DRIVE: 1.27mA AC, 0 mA DC  
METER RANGE 50 µV  
MAX LIMIT: 80 ON METER (40 µV)

Revision	C.O. #	Implementation Date	RELEASE LEVEL	REVISION
A	C10103438	8-24-06	Released	A

WHEN TEST LIMITS ARE USED TO ESTABLISH INCOMING INSPECTION ACCEPTANCE/REJECTION CRITERIA, CORRELATION OF TEST EQUIPMENT WITH KNOWLES IS ALSO REQUIRED FOR ELIMINATION OF EQUIPMENT AND TEST METHOD VARIATION		DR. BY	DATE
		LSY	8-24-06
TITLE: RECEIVER		CK. BY	DATE
PERFORMANCE SPECIFICATION		GJP	9-2-06
EF-26692-116		APP. BY	DATE
SHT 2.1		GJP	9-2-06

**KNOWLES ELECTRONICS**  
ITASCA, ILLINOIS U.S.A.