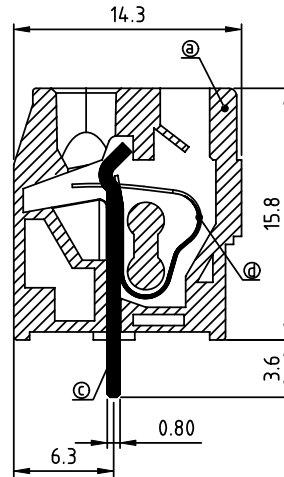
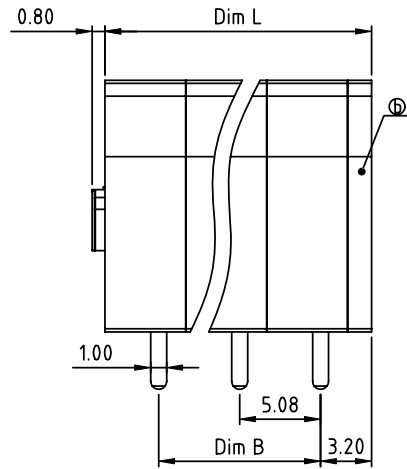
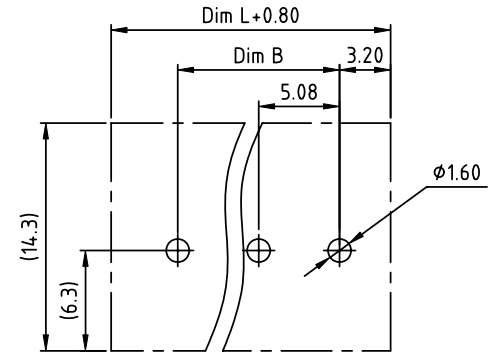
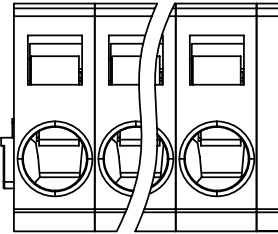


PRODUCT NUMBER	PITCH
HMxx50x000JOG	5.08mm



RECOMMENDED P.C.B LAYOUT
TOP VIEW

Material:

- Item① Insulator body: Thermoplastic (UL94V-0)
- Item② Insulating cover :Thermoplastic (UL94V-0)
- Item③ Solder pin: Brass.Tin plated
- Item④ Wire guard: Stainless steel

Electrical:

- Voltage rating: 250V
- Current rating: 8A
- Wire range:
- Solid wire(AWG): 12-28
- Stranded wire(AWG): 12-28
- Wire strip length: 8-9mm
- Withstanding Voltage: 1.5KV
- Operating temperature: -40°C to +115°C
- Soldering temperature: 260°C±5°C/5 Sec
- Safety Approval:

N=Number of poles
Dim L=N×5.08+1.5
Dim B=(N-1)×5.08

PART NO.: HM xx 50 x 000JO G

Poles	Dim L	Dim B
1p	±0.15	—
2-6p	±0.20	±0.15
7-12p	±0.30	±0.25
13-18p	±0.40	±0.35
19-24p	±0.45	±0.40

No. of poles	Color	RoHS compliant
0	Black (RAL9005)	(lead<4%)
End Stackable	2 Red (RAL3001/D)	In copper Alloy
01 1 poles	3 Orange(RAL2011/P)	
02 2 poles	4 Yellow(RAL1018/A)	
...	5 Green(RAL6018/T)	
24 24 poles	6 Blue (RAL5015/A)	
	8 Grey(RAL7004/P)	
	9 White(RAL1102)	
	C Multiple colors	

mat'l. code		surface ASME Y14.5	tolerance ASME Y14.5	projection 	product family TERMINAL BLOCK
ltr	ecn no	dr	date	tolerances unless otherwise specified	title TERMINAL BLOCK
				angles X°±1°	scale MM
				dr	dwg no
				enr	sheet 1 of 1
				chr	size A4
				appd	type CUSTOMER Drawing
sheet index	revision sheet	A	1		