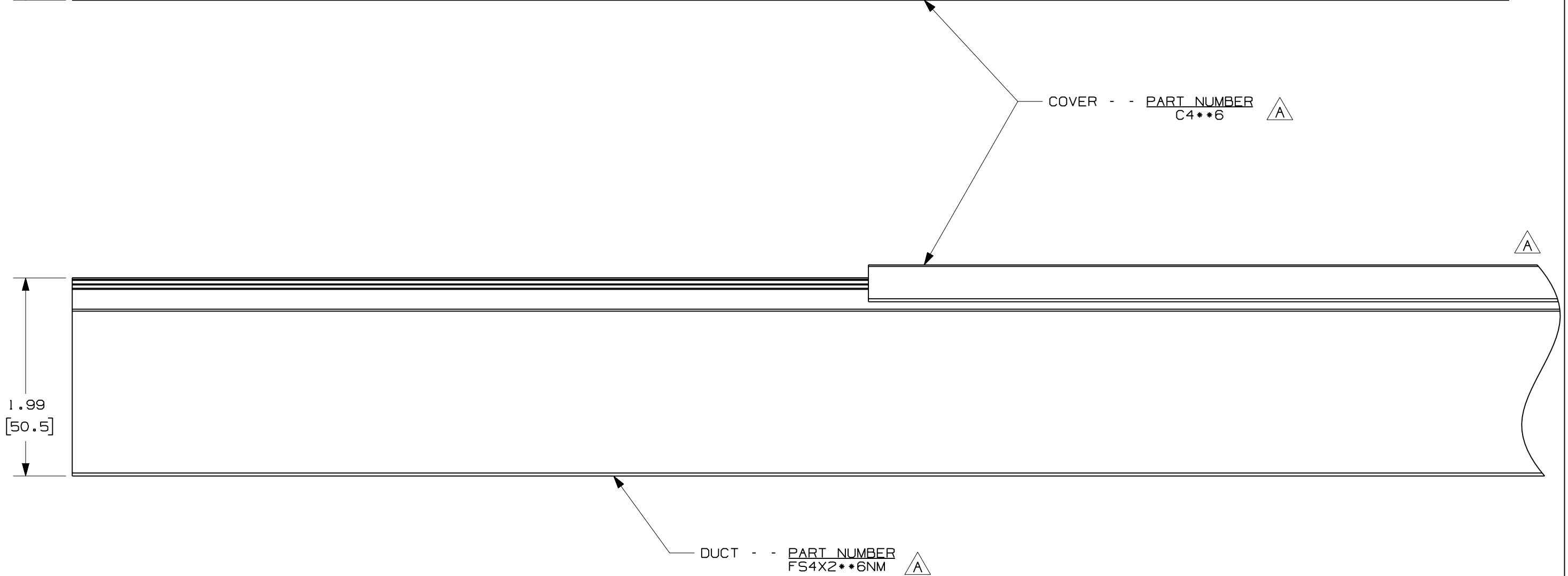
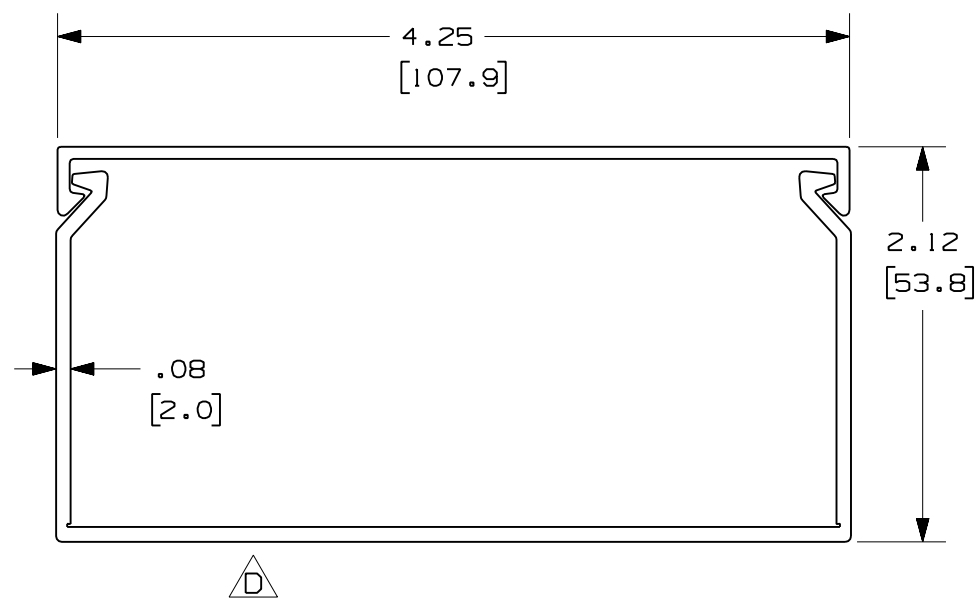
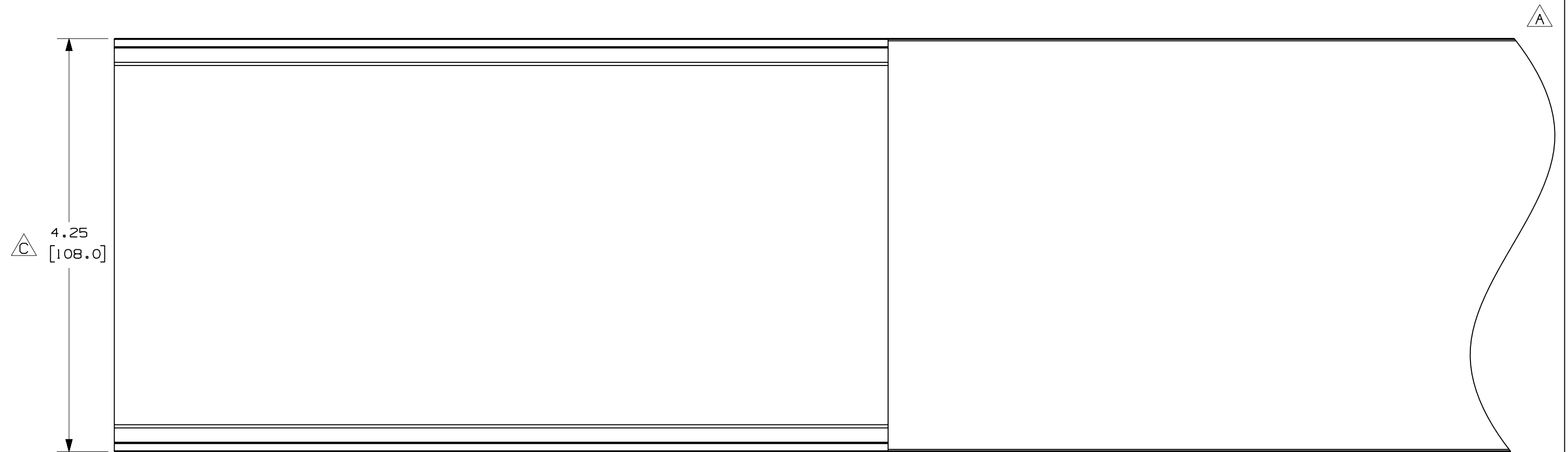


THIS COPY IS PROVIDED ON A RESTRICTED BASIS AND IS NOT TO BE USED IN ANY WAY DETRIMENTAL TO THE INTERESTS OF PANDUIT CORP.



A/E

NOTES:

1. ALL DIMENSIONS ARE REFERENCE ONLY.
2. DIMENSIONS IN PARENTHESIS ARE METRIC.
3. THE \*\* DENOTE COLOR.
4. DUCT AND COVER ARE AVAILABLE IN 6 FT [1828.8] LENGTHS.

REV	DATE	BY	CHK	DESCRIPTION
--	-----	---	---	E. ADDED LENGTH NOTE
2	8-6-07	JCSTMKBE		D. DELETED DIMENSION C. ADDED DIMENSION
1	10-6-05	JCSTMKBE		B. CHANGED DRAWING SIZE A. ADDED SIDE & TOP VIEWS, NOTES, AND LABELS
R	10-2-03	JHNL JGG		DRAWING RELEASED

CAD FILENAME/LAYERS		D11000FQ_DC_02B	
<b>PANDUIT</b>			
CORP. TINLEY PARK, ILLINOIS			
WIRING DUCT - TYPE FS DUCT WITH COVER 4 X 2			
MARKETING DRAWING			
DRAWN BY	MAT'L:	SCALE	
JHNU	PVC	FULL	
DATE		DRAWING NO.	DWG
10-2-03		36897-907	C
CHECKED BY		SIZE	
JGG			