

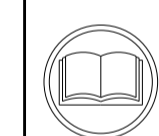
ATLANTIC VERSION TERMINATOR INTERFACE ADAPTER	PART NUMBER	REVISION	DESCRIPTION	FEED TYPE	APPLICATOR STYLE CONVERSION CHART						
					CONVERT TO	PART NUMBERS REQUIRED					
	2151947-1	A	FINE CRIMP HEIGHT ADJUST	MECHANICAL	PNEUMATIC FEED	2119950-1	1338685-1	5-18022-5	2119641-1	2119799-1	2063440-1
	2151947-2	A	FINE CRIMP HEIGHT ADJUST	PNEUMATIC	SERVO LATCH PLATE	2119951-1	-	8-2151947-5	1901094-3	1-1752354-6	2168400-6 (QUANTITY 2)
					SMART APPLICATOR	2161326-1	-	8-2151947-4	-	-	
					MECHANICAL FEED	2119949-1	1338685-1	5-18022-5	2119653-1	-	-
	2151947-5	A	FINE CRIMP HEIGHT ADJUST	SERVO LATCH PLATE	SERVO LATCH PLATE	2119951-1	-	8-2151947-5	1901094-3	1-1752354-6	2168400-6 (QUANTITY 2)
					SMART APPLICATOR	2161326-1	-	8-2151947-4	-	-	
					MECHANICAL FEED	2119949-1	1338685-1	5-18022-5	2119653-1	-	-
2151947-6	A	NON-CRIMP HEIGHT ADJUST	SERVO LATCH PLATE	PNEUMATIC FEED	2119950-1	1338685-1	5-18022-5	2119641-1	2119799-1	2063440-1	
				-	-	-	-	-	-	-	
2151947-7	A	FINE CRIMP HEIGHT ADJUST	NONE	-	-	-	-	-	-	-	
7-2151947-7	A	CRIMP TOOLING KIT	-	-	-	-	-	-	-	-	

APPLICATOR DATA		
CRIMP WIRE	SIZE	TYPE
WIRE	2.03 mm [.080]	F
INSUL	2.80 mm [.110]	F

APPLICATOR INSTRUCTIONS
408-10389

TERMINAL DATA: TE TERMINAL		TE CRIMP SPECIFICATION	
TERMINAL NAME: GROUND TML FOR T20 BULB ASSY			
WIRE STRIP LENGTH	INSULATION DIAMETER RANGE		
3.50-4.50 mm [.138-.177 IN]	Ø2.00-2.30 mm [.079-.091 IN]		
TERMINAL APPLICATION SPECIFICATION	114-61039		
TERMINALS APPLIED			
TE TERMINAL	TE TERMINAL	TE TERMINAL	TE TERMINAL
2005164-1			

WIRE SIZE	CRIMP HEIGHT mm [INCH]	CRIMP HEIGHT REFERENCE SETTING
0.85mm2	1.41 +/- 0.05 [.056 +/- .002]	8.5
0.85mm2	1.40 +/- 0.05 [.055 +/- .002]	8.5
0.50mm2	1.30 +/- 0.05 [.051 +/- .002]	9.8
0.50mm2	1.27 +/- 0.05 [.050 +/- .002]	10.0



- 1 RECOMMENDED SPARE PARTS
- 2 GREASE BEARING SURFACES LIGHTLY
- 3. LUBRICATE DAILY PER THE APPLICATOR INSTRUCTION SHEET SUPPLIED WITH THE APPLICATOR.
- 4 APPLICATOR SPECIFIC DATA TO BE ENTERED INTO BLANK MEMORY CHIP AT ASSEMBLY. SEE BELOW FOR PART NUMBER:
 MECHANICAL FEED WITH "SMART APPLICATOR" CONVERSION: 8-2151947-4
 PNEUMATIC FEED WITH "SMART APPLICATOR" CONVERSION: 8-2151947-4
 SERVO FEED WITH "FINE CRIMP HEIGHT ADJUST": 8-2151947-5
 SERVO FEED WITH "NON-CRIMP HEIGHT ADJUST": 8-2151947-6
- 5. ADJUSTMENT OF THE STRIPPER MAY BE REQUIRED WHEN MOVING THE APPLICATOR BETWEEN BENCH AND LEADMAKER APPLICATIONS.
- 6 APPLY PART NUMBER 1-23419-5 LOCTITE TO THREADS OF ITEMS 62 & 242. FOR -6 ONLY APPLY PART NUMBER 1-23419-5 LOCTITE TO THREADS OF ITEMS 37 & 242.
- 7 GREASE THREADS, GROOVE AND O-RING ON ITEMS 35 & 252.
- 8 MAGNET, ITEM 166 MUST BE ORIENTED CORRECTLY IN ORDER TO PROPERLY ACTUATE THE COUNTER.
- 9 CRIMP HEIGHT REFERENCE SETTING WAS THE SETTING USED WHEN THE APPLICATOR WAS QUALIFIED AT THE FACTORY. ADJUSTMENT MAY BE NECESSARY WHEN RUNNING APPLICATOR IN THE FIELD.
- 10 SPARE FEED CAM STORAGE LOCATION REFER TO INSTRUCTION SHEET FOR ADDITIONAL INFORMATION.
- 11 TO CONVERT THE APPLICATOR TO A NON-CARRIER CUTTING STYLE, REMOVE ITEM 13 AND ATTACH TO THE LOCATION ON THE BACK SIDE OF THE HOUSING. REFER TO INSTRUCTION SHEET FOR ADDITIONAL INFORMATION.
- 12 WHEN ASSEMBLING A NON CRIMP HEIGHT ADJUST APPLICATOR (-6) USE SHIMS FROM ITEM 260 TO ACHIEVE A NOMINAL SHIM HEIGHT OF 4.39.
- 13 RUNS AVS WIRE.
- 14 RUNS AXF WIRE.

***WARNING**
 ON INSTALLATION, SET WIRE DISC, ITEM 40 TO LARGEST WIRE SIZE SETTING. USE OF SETTINGS BELOW MINIMUM REQUIRED CRIMP HEIGHT SETTING WILL CAUSE DAMAGE TO CRIMP TOOLING.

ATLANTIC VERSION
 Shown on sheets 1 of 4 & 2 of 4
 (Pacific version shown on sheets 3 of 4 & 4 of 4)

SET UP GAUGE		LOC	DIST	REVISIONS					
2119599-1		A	66	P	LTN	DESCRIPTION	DATE	OWN	APVD
				1		ORIGINAL	29APR2013	GH	TE
				A		RELEASED	21MAY2013	GH	TE

-	-	1	-	-	-	2119957-2	APPLICATOR SHIM PACK		260
-	1	-	1	1	1	8-21084-0	O-RING, .676 ID, .070 DIA. MAT.		252
-	-	-	-	1	-	2119640-1	PUSH ROD, AIR FEED		250
-	-	-	-	1	-	2079988-1	BUSHING, LCH5-12, MISUMI		249
-	-	-	-	1	-	2119641-1	FEED CAM, AIR FEED		248
-	1	-	1	1	1	2119798-1	DETENT PIN		247
-	1	-	1	1	1	1-22279-3	SPRING, COMPRESSION		246
-	-	1	-	-	-	2119758-1	RAM, AMP STYLE, SIDE FEED, NON-ADJ.		245
-	1	1	1	1	1	2119082-9	CAM, SNAIL, INSULATION ADJUSTMENT		244
-	1	1	1	1	1	2079764-1	WASHER, WAVE SPRING, CREST-TO-CREST		243
-	1	1	1	1	1	2119083-1	RETAINER, INSULATION DIAL		242
-	1	1	1	1	1	7-18023-7	SCR, SKT HD CAP M3 X 4.0		241
-	-	2	2	-	-	2168400-6	SHCS, LOW HEAD, RoHS, M5 X 16		240
-	-	-	-	-	1	2119580-1	MECHANICAL FEED ASSEMBLY		239
-	-	-	-	1	-	2063440-1	AIR FEED MODULE		238
-	-	1	1	-	-	2119740-2	TAG, IDENTIFICATION		213
-	-	1	1	-	-	1901094-3	SPACER, FEEDER		198
-	-	-	-	2	-	21045-3	RING, RETAIN, EXTERN, 3/16 CRESCENT		172
-	1	1	1	1	1	994969-1	MAGNET, RARE EARTH HIGH ENERGY		166
-	REF	REF	REF	REF	REF	994970-2	COUNTER, MAGNETIC		164
-	-	-	-	1	-	240638-1	SPRING, FEED FINGER		163
-	-	-	-	1	-	3-23627-7	PIN, RETAIN, GRVD, 3/16 X .854		137
-	-	-	-	1	-	2119799-1	HOLDER, FEED FINGER, AF		136
-	-	REF	REF	-	-	SEE NOTE 4	MEMORY CHIP, PROGRAMMED		135
-	-	1	1	-	-	1633743-1	SERVO FEED LATCH ASM		133
-	1	1	1	1	1	1-18028-2	WASHER, FLAT, REG M4		119
-	-	REF	REF	-	-	2119944-1	FEED FINGER ASSEMBLY, SF		117
-	1	1	1	1	1	455888-4	SPACER, CRIMPER		82
-	1	1	1	1	1	2119956-1	DOCUMENTATION PACKAGE		71
-	1	-	-	1	1	2119740-1	TAG, IDENTIFICATION		67
-	2	2	2	2	2	2168078-1	SCREW, DRIVE, RH, RoHS, 2 x .188		66
-	1	-	1	1	1	2119793-1	LIMITER, ADJUSTMENT BOLT		63
-	3	-	3	3	3	992763-5	SCR, SET, SOC, CONE POINT, M3 x 4.0		62
-	1	1	1	1	1	2079383-4	SCR, BHSC, RoHS (M4 X 8)		60
-	-	-	-	1	1	5-18022-5	SCR, HEX HD CAP, M4 X 6.0		59
-	-	-	-	1	1	1338685-1	PAWL, FEED		56
-	4	4	4	4	4	2168400-1	SHCS, LOW HEAD, RoHS, M4 X 12		54
-	2	2	2	2	2	2168083-5	SCR, SKT HD CAP, RoHS, M4 X 6.0		53
-	-	-	-	1	2	18023-9	SCR, SKT HD CAP M4 X 6.0		49
-	-	-	-	-	1	2119652-1	FEED CAM, PRE FEED		48
-	-	-	-	-	1	2119653-1	FEED CAM, POST FEED		47
-	1	1	1	1	1	2119656-9	APPLICATOR BASIC ASSEMBLY, SF		46
-	1	-	1	1	1	2119370-1	RAM, AMP STYLE, SIDE FEED		44
-	1	1	1	1	1	2079383-7	SCR, BHSC, RoHS (M8 X 25)		41
-	1	-	1	1	1	2119645-1	DISC, NUMBERED FA WIRE ADJUSTMENT		40
-	1	-	1	1	1	2119957-1	APPLICATOR SHIM PACK		39
-	1	1	1	1	1	1-2119644-2	RAM WASHER, PRECISION		38
-	1	1	1	1	1	2119085-1	FA HEAD, ATLANTIC STYLE		37
-	1	-	1	1	1	2119092-1	BOLT, ADJUSTMENT		35
-	1	1	1	1	1	1752356-1	SUPPORT, TERMINAL		34
-	2	2	2	2	2	2079383-5	SCR, BHSC, RoHS (M4 X 20)		33
-	1	1	1	1	1	2161328-1	HEX HEAD, FLANGED, M5 x 8mm LONG		32
-	1	1	1	1	1	1320908-3	SPACER, STRIP GUIDE		30
-	1	1	1	1	1	2119959-1	ASSEMBLY, STRIP GUIDE		29
-	1	1	1	1	1	1-455888-0	SPACER, CRIMPER		28
-	1	1	1	1	1	1320928-2	STRIP GUIDE		24
-	1	1	1	1	1	2168083-2	SCR, SKT HD CAP, RoHS, M4 X 8.0		21
-	3	3	3	3	3	1-18028-2	WASHER, FLAT, REG M4		20
-	1	1	1	1	1	2119533-1	STRIPPER, SIDE FEED		19
-	1	1	1	1	1	3-690518-3	HOLD DOWN, TERMINAL		18
-	1	1	1	1	1	2119806-1	INSERT, SHEAR		13
-	1	1	1	1	1	3-22280-3	SPRING, COMPRESSION		12
-	1	1	1	1	1	1-356885-4	STOP, SHEAR		11
-	1	1	1	1	1	2119805-1	SHEAR HOLDER, FRONT		10
-	1	1	1	1	1	462006-6	FLOATING SHEAR, FRONT		9
-	1	1	1	1	1	1-1633920-2	ANVIL, COMBINATION		8
-	1	1	1	1	1	1-240641-9	SPACER		7
-	-	-	-	-	-	-	-		6
-	1	1	1	1	1	2119757-8	DEPRESSOR, SHEAR		5
-	1	1	1	1	1	2-238011-2	BLOCK, CRIMPER SPACER		4
-	1	1	1	1	1	2-2119582-1	CRIMPER, INSULATION F PREMIUM		3
-	1	1	1	1	1	455888-9	SPACER, CRIMPER		2
-	1	1	1	1	1	1-456405-8	CRIMPER, WIRE PREMIUM		1

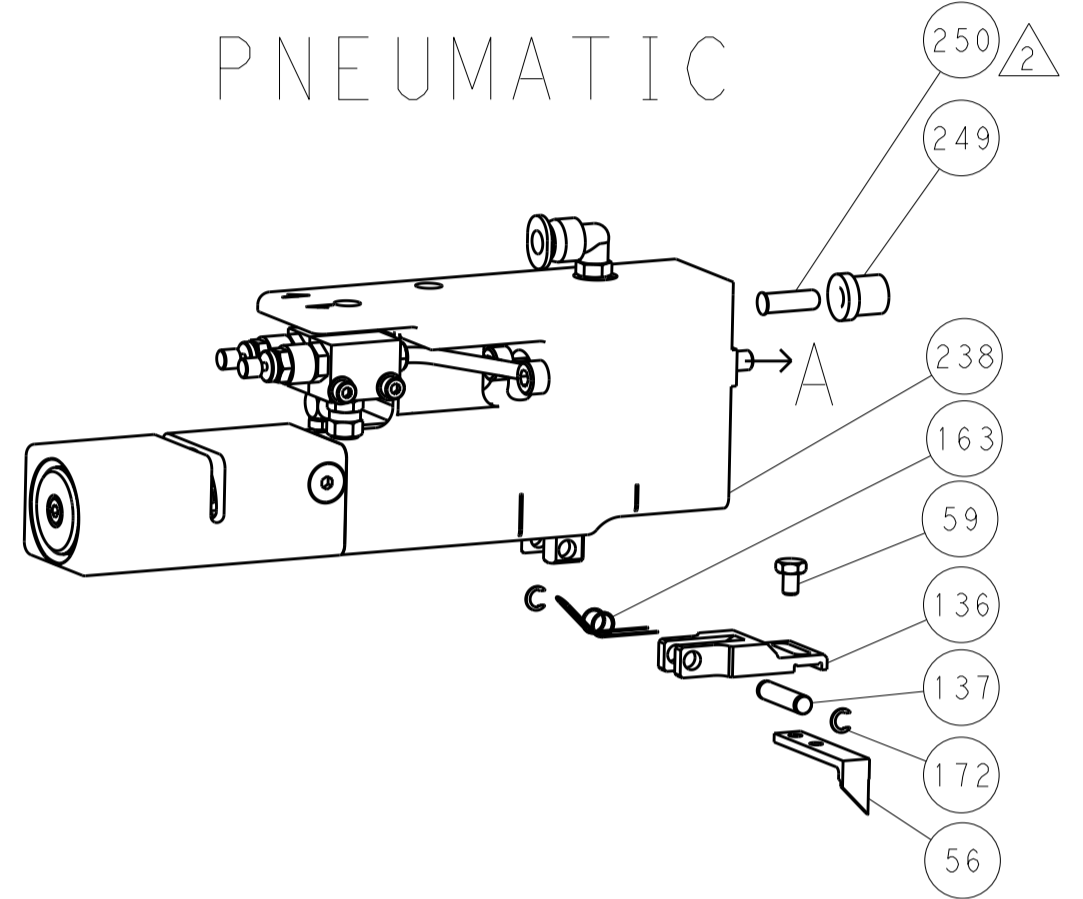
DIMENSIONS:		TOLERANCES UNLESS OTHERWISE SPECIFIED:		OWN		CHK		APVD		NAME	
mm	0 PLC ±.1	1 PLC ±.05	2 PLC ±.02	3 PLC ±.005	4 PLC ±.0005	ANGLES ±.1	FINISH	29APR2013	30APR2013	30APR2013	TE Connectivity Harrisburg, PA 17105-3608
MATERIAL		FINISH		WEIGHT		SCALE		SHEET		REV	
						A 00779		C=2151947		A	

LOC		DIST		REVISIONS			
A	66	P	LTM	DESCRIPTION	DATE	OWN	APVD
		-	-	SEE SHEET 1	-	-	-

FEED TYPE MECHANICAL



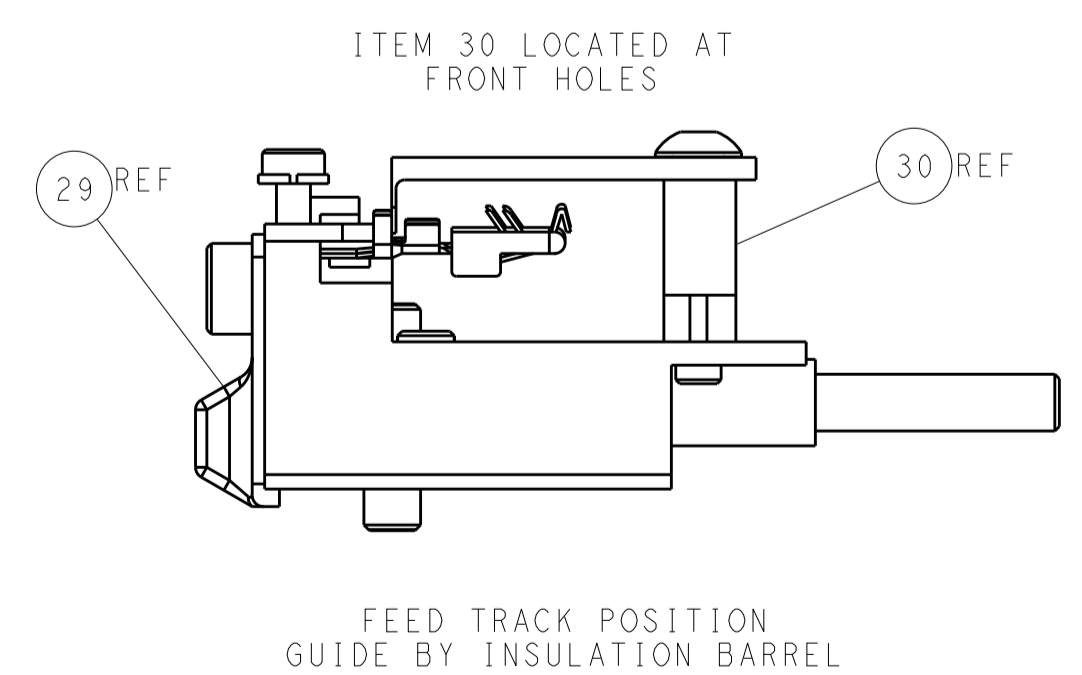
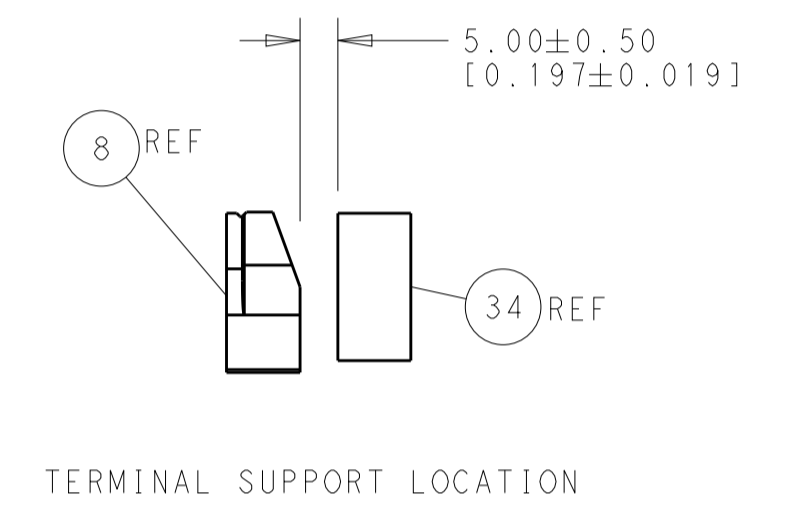
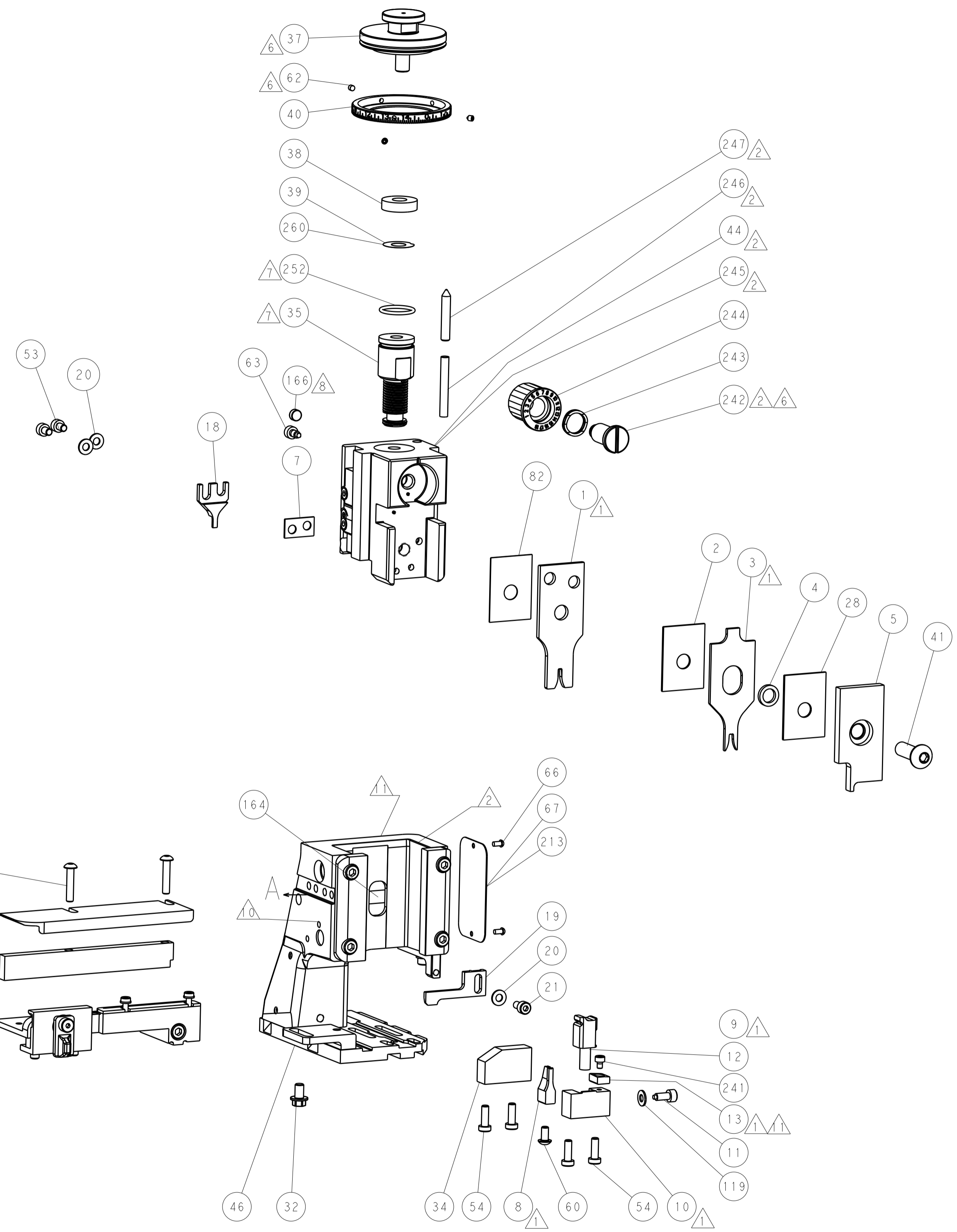
PNEUMATIC



SERVO LATCH PLATE



CAM POSITIONS



ATLANTIC VERSION
 Shown on sheets 1 of 4 & 2 of 4
 (Pacific version shown on sheets 3 of 4 & 4 of 4)

DIMENSIONS:		TOLERANCES UNLESS OTHERWISE SPECIFIED:		OWN: HOFFNER 29APR2013		TE Connectivity	
mm	0 PLC ±0.1	1 PLC ±0.1	2 PLC ±0.02	3 PLC ±0.005	4 PLC ±0.0005	5 ANGLES ±0.0005	TE Connectivity Harrisburg, PA 17105-3608
MATERIAL:				APVD: T. ELBIN 30APR2013		NAME: Ocean Side Feed Applicator	
FINISH:				WEIGHT:		SIZE: CAGE CODE: DRAWING NO: A1 00779 ©=2151947	
Customer Accessible Production Drawing				SCALE: 1:1		SHEET 2 OF 4 REV A	

PACIFIC VERSION TERMINATOR INTERFACE ADAPTER	PART NUMBER	REVISION	DESCRIPTION	FEED TYPE	APPLICATOR STYLE CONVERSION CHART						
					CONVERT TO	PART NUMBERS REQUIRED					
	2-2151947-1	A	FINE CRIMP HEIGHT ADJUST	MECHANICAL	PNEUMATIC FEED	2119950-1	1338685-1	5-18022-5	2119641-2	2119799-1	2063440-1
					SERVO LATCH PLATE	2119951-1	-	8-2151947-5	1901094-3	1-1752354-6	2168400-6 (QUANTITY 2)
					SMART APPLICATOR	2161326-1	-	8-2151947-4	-	-	-
	2-2151947-2	A	FINE CRIMP HEIGHT ADJUST	PNEUMATIC	MECHANICAL FEED	2119949-1	1338685-1	5-18022-5	2119653-2	-	-
					SERVO LATCH PLATE	2119951-1	-	8-2151947-5	1901094-3	1-1752354-6	2168400-6 (QUANTITY 2)
					SMART APPLICATOR	2161326-1	-	8-2151947-4	-	-	-
	2-2151947-5	A	FINE CRIMP HEIGHT ADJUST	SERVO LATCH PLATE	MECHANICAL FEED	2119949-1	1338685-1	5-18022-5	2119653-2	-	-
					PNEUMATIC FEED	2119950-1	1338685-1	5-18022-5	2119641-2	2119799-1	2063440-1
	2-2151947-7	A	FINE CRIMP HEIGHT ADJUST	NONE	-	-	-	-	-	-	-
	7-2151947-7	A	CRIMP TOOLING KIT	-	-	-	-	-	-	-	-

APPLICATOR DATA		
CRIMP WIRE	SIZE	TYPE
INSUL	2.03 mm [.080]	F
	2.80 mm [.110]	F
APPLICATOR INSTRUCTIONS 408-10389		

TERMINAL DATA: TE TERMINAL		TE CRIMP SPECIFICATION	
TERMINAL NAME: GROUND TML FOR T20 BULB ASSY			
WIRE STRIP LENGTH		INSULATION DIAMETER RANGE	
3.50-4.50 mm [.138-.177 IN]		Ø2.00-2.30 mm [.079-.091 IN]	
TERMINAL APPLICATION SPECIFICATION	114-61039	-	-
TERMINALS APPLIED			
TE TERMINAL	TE TERMINAL	TE TERMINAL	TE TERMINAL
2005164-1			

WIRE SIZE	CRIMP HEIGHT mm [INCH]	CRIMP HEIGHT REFERENCE SETTING
0.85mm2	1.41+/-0.05 [.056+/-0.002]	8.5
0.85mm2	1.40+/-0.05 [.055+/-0.002]	8.5
0.50mm2	1.30+/-0.05 [.051+/-0.002]	9.8
0.50mm2	1.27+/-0.05 [.050+/-0.002]	10.0

- RECOMMENDED SPARE PARTS
- GREASE BEARING SURFACES LIGHTLY
- LUBRICATE DAILY PER THE APPLICATOR INSTRUCTION SHEET SUPPLIED WITH THE APPLICATOR.
- APPLICATOR SPECIFIC DATA TO BE ENTERED INTO BLANK MEMORY CHIP AT ASSEMBLY. SEE BELOW FOR PART NUMBER:
 MECHANICAL FEED WITH "SMART APPLICATOR" CONVERSION: 8-2151947-4
 PNEUMATIC FEED WITH "SMART APPLICATOR" CONVERSION: 8-2151947-4
 SERVO FEED WITH "FINE CRIMP HEIGHT ADJUST": 8-2151947-5
- ADJUSTMENT OF THE STRIPPER MAY BE REQUIRED WHEN MOVING THE APPLICATOR BETWEEN BENCH AND LEADMAKER APPLICATIONS.
- APPLY PART NUMBER 1-23419-5 LOCTITE TO THREADS OF ITEMS 62 & 242.
- GREASE THREADS, GROOVE AND O-RING ON ITEMS 139 & 152.
- MAGNET MUST BE ORIENTED CORRECTLY IN ORDER TO PROPERLY ACTUATE THE COUNTER.
- CRIMP HEIGHT REFERENCE SETTING WAS THE SETTING USED WHEN THE APPLICATOR WAS QUALIFIED AT THE FACTORY. ADJUSTMENT MAY BE NECESSARY WHEN RUNNING APPLICATOR IN THE FIELD.
- SPARE FEED CAM STORAGE LOCATION REFER TO INSTRUCTION SHEET FOR ADDITIONAL INFORMATION.
- TO CONVERT THE APPLICATOR TO A NON-CARRIER CUTTING STYLE, REMOVE ITEM 13 AND ATTACH TO THE LOCATION ON BACK SIDE OF THE HOUSING. REFER TO INSTRUCTION SHEET FOR ADDITIONAL INFORMATION.
- RUNS AVS WIRE.
- RUNS AEXF WIRE.

***WARNING**
 ON INSTALLATION, SET WIRE DISC, ITEM 40 TO LARGEST WIRE SIZE SETTING. USE OF SETTINGS BELOW MINIMUM REQUIRED CRIMP HEIGHT SETTING WILL CAUSE DAMAGE TO CRIMP TOOLING.

PACIFIC VERSION
 Shown on sheets 3 of 4 & 4 of 4
 (Atlantic version shown on sheets 1 of 4 & 2 of 4)

SET UP GAUGE	LOC	DIST	REVISIONS			
2119599-1	A	66	REV	DATE	BY	APPD
			-	SEE SHEET 1	-	-

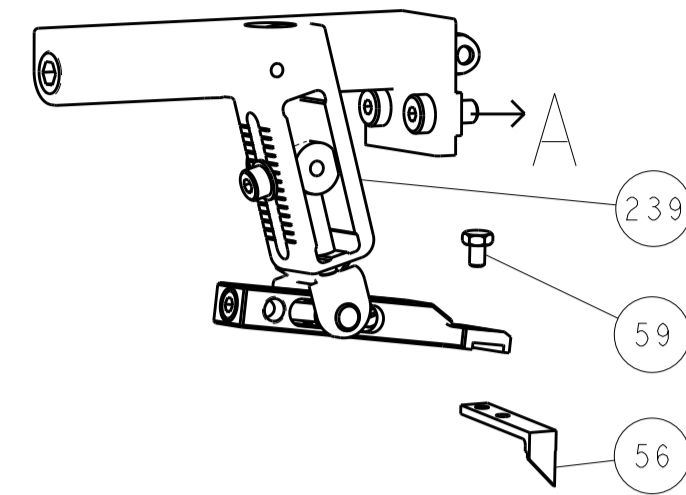
-	1	1	1	1	2119782-1	FINE ADJUST HEAD ASM, PACIFIC STYLE	251
-	-	-	1	-	2119640-1	PUSH ROD, AIR FEED	250
-	-	-	1	-	2079988-1	BUSHING, LCH5-12, MISUMI	249
-	1	1	1	1	1-22279-3	SPRING, COMPRESSION	246
-	1	1	1	1	2119082-9	CAM, SNAIL, INSULATION ADJUSTMENT	244
-	1	1	1	1	2079764-1	WASHER, WAVE SPRING, CREST-TO-CREST	243
-	1	1	1	1	2119083-1	RETAINER, INSULATION DIAL	242
-	1	1	1	1	7-18023-7	SCR, SKT HD CAP M3 X 4.0	241
-	-	2	-	-	2168400-6	SHCS, LOW HEAD, RoHS, M5 X 16	240
-	-	-	-	1	2119580-1	MECHANICAL FEED ASSEMBLY	239
-	-	-	1	-	2063440-1	AIR FEED MODULE	238
-	-	1	-	-	2119740-2	TAG, IDENTIFICATION	213
-	-	1	-	-	1901094-3	SPACER, FEEDER	198
-	-	-	2	-	21045-3	RING, RETAIN, EXTERN, 3/16 CRESCENT	172
-	1	1	1	1	994969-1	MAGNET, RARE EARTH HIGH ENERGY	166
-	REF	REF	REF	REF	994970-2	COUNTER, MAGNETIC	164
-	-	-	1	-	240638-1	SPRING, FEED FINGER	163
-	1	1	1	1	8-21084-1	O-RING, .801 ID, .070 DIA. MAT.	152
-	-	-	1	-	2119641-2	FEED CAM, AIR FEED	151
-	1	1	1	1	2119798-2	DETENT PIN	145
-	1	1	1	1	2079383-8	SCR, BHSC, RoHS (M4 X 16)	144
-	4	4	4	4	2168400-5	SHCS, LOW HEAD, RoHS, M4 X 20	143
-	-	-	-	1	2119653-2	FEED CAM, POST FEED	142
-	1	1	1	1	1-2119656-0	APPLICATOR BASIC ASSEMBLY, SF	141
-	1	1	1	1	2119650-1	RAM, ASIAN STYLE, SIDE FEED	140
-	1	1	1	1	2119092-2	BOLT, ADJUSTMENT	139
-	-	-	1	-	3-23627-7	PIN, RETAIN, GRVD, 3/16 X .854	137
-	-	-	1	-	2119799-1	HOLDER, FEED FINGER, AF	136
-	-	REF	-	-	SEE NOTE 4	MEMORY CHIP, PROGRAMMED	135
-	-	1	-	-	1633743-1	SERVO FEED LATCH ASM	133
-	1	1	1	1	1-18028-2	WASHER, FLAT, REG M4	119
-	-	REF	-	-	2119944-1	FEED FINGER ASSEMBLY, SF	117
-	1	1	1	1	455888-4	SPACER, CRIMPER	82
-	1	1	1	1	2119956-1	DOCUMENTATION PACKAGE	71
-	1	-	1	1	2119740-1	TAG, IDENTIFICATION	67
-	2	2	2	2	2168078-1	SCREW, DRIVE, RH, RoHS, 2 x .188	66
-	1	1	1	1	2119793-1	LIMITER, ADJUSTMENT BOLT	63
-	3	3	3	3	992763-5	SCR, SET, SOC, CONE POINT, M3 X 4.0	62
-	-	-	1	1	5-18022-5	SCR, HEX HD CAP, M4 X 6.0	59
-	-	-	1	1	1338685-1	PAWL, FEED	56
-	2	2	2	2	2168083-5	SCR, SKT HD CAP, RoHS, M4 X 6.0	53
-	-	-	1	2	18023-9	SCR, SKT HD CAP M4 X 6.0	49
-	-	-	-	1	2119652-1	FEED CAM, PRE FEED	48
-	1	1	1	1	2079383-7	SCR, BHSC, RoHS (M8 X 25)	41
-	1	1	1	1	2119645-1	DISC, NUMBERED FA WIRE ADJUSTMENT	40
-	1	1	1	1	2119957-1	APPLICATOR SHIM PACK	39
-	1	1	1	1	1-2119644-2	RAM WASHER, PRECISION	38
-	1	1	1	1	1752356-1	SUPPORT, TERMINAL	34
-	2	2	2	2	2079383-5	SCR, BHSC, RoHS (M4 X 20)	33
-	1	1	1	1	2161328-1	HEX HEAD, FLANGED, M5 X 8mm LONG	32
-	1	1	1	1	1320908-3	SPACER, STRIP GUIDE	30
-	1	1	1	1	2119959-1	ASSEMBLY, STRIP GUIDE	29
-	1	1	1	1	1-455888-0	SPACER, CRIMPER	28
-	1	1	1	1	1320928-2	STRIP GUIDE	24
-	1	1	1	1	2168083-2	SCR, SKT HD CAP, RoHS, M4 X 8.0	21
-	3	3	3	3	1-18028-2	WASHER, FLAT, REG M4	20
-	1	1	1	1	2119533-1	STRIPPER, SIDE FEED	19
-	1	1	1	1	3-690518-3	HOLD DOWN, TERMINAL	18
-	1	1	1	1	2119806-1	INSERT, SHEAR	13
-	1	1	1	1	3-22280-3	SPRING, COMPRESSION	12
-	1	1	1	1	1-356885-4	STOP, SHEAR	11
-	1	1	1	1	2119805-1	SHEAR HOLDER, FRONT	10
-	1	1	1	1	462006-6	FLOATING SHEAR, FRONT	9
-	1	1	1	1	1-1633920-2	ANVIL, COMBINATION	8
-	1	1	1	1	1-240641-9	SPACER	7
-	-	-	-	-	-	-	6
-	1	1	1	1	2119757-8	DEPRESSOR, SHEAR	5
-	1	1	1	1	2-238011-2	BLOCK, CRIMPER SPACER	4
-	1	1	1	1	2-2119582-1	CRIMPER, INSULATION F PREMIUM	3
-	1	1	1	1	455888-9	SPACER, CRIMPER	2
-	1	1	1	1	1-456405-8	CRIMPER, WIRE PREMIUM	1

DIMENSIONS:		TOLERANCES UNLESS OTHERWISE SPECIFIED:		OWN	CHK	APPD	DATE	TE Connectivity		
mm	0 PLC ±	1 PLC ±0.1	2 PLC ±0.02	3 PLC ±0.005	4 PLC ±0.0005	ANGLES ±	FINISH	HOFFNER	29APR2013	TE Connectivity
								T. ELBIN	30APR2013	Harrisburg, PA 17105-3608
								T. ELBIN	30APR2013	
										Ocean Side Feed Applicator
										SIZE: A1
										00779 ©=2151947
										Customer Accessible Production Drawing
										SCALE: 1:1 SHEET 3 OF 4 REV A

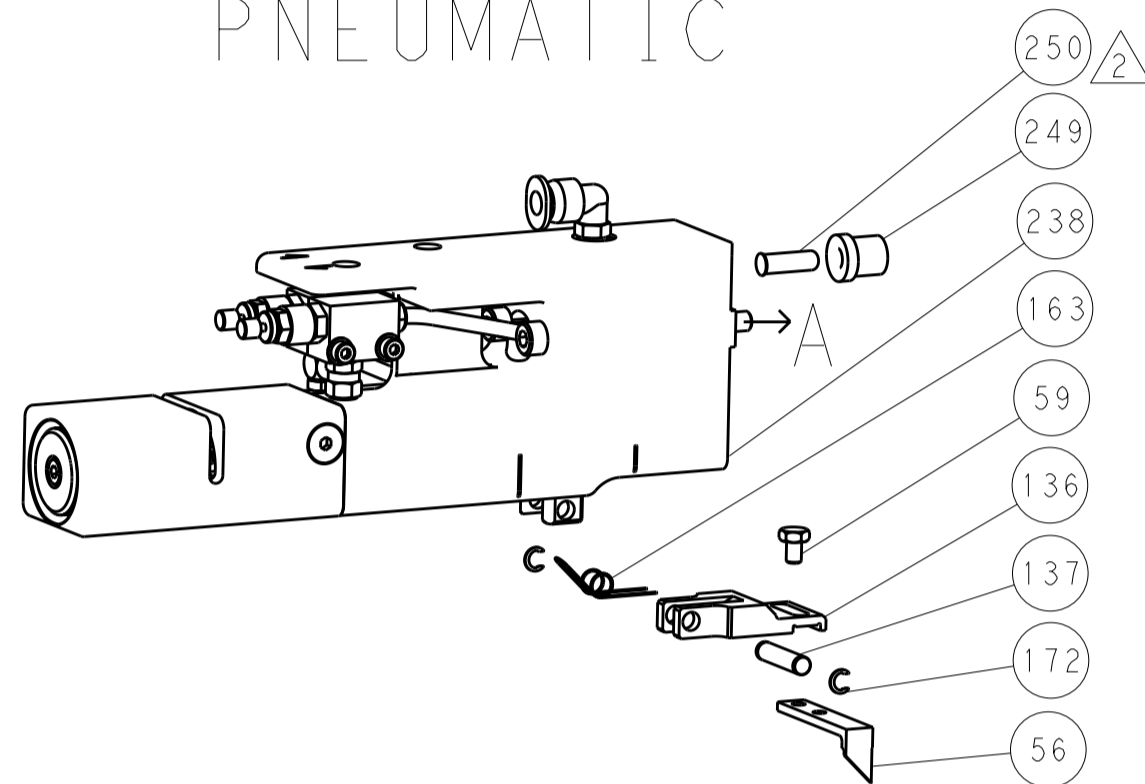
LOC		DIST		REVISIONS			
A	66	P	LTM	DESCRIPTION	DATE	OWN	APVD
		-		SEE SHEET 1			

DIMENSIONING AND TOLERANCING PER ASME Y14.5M-2003

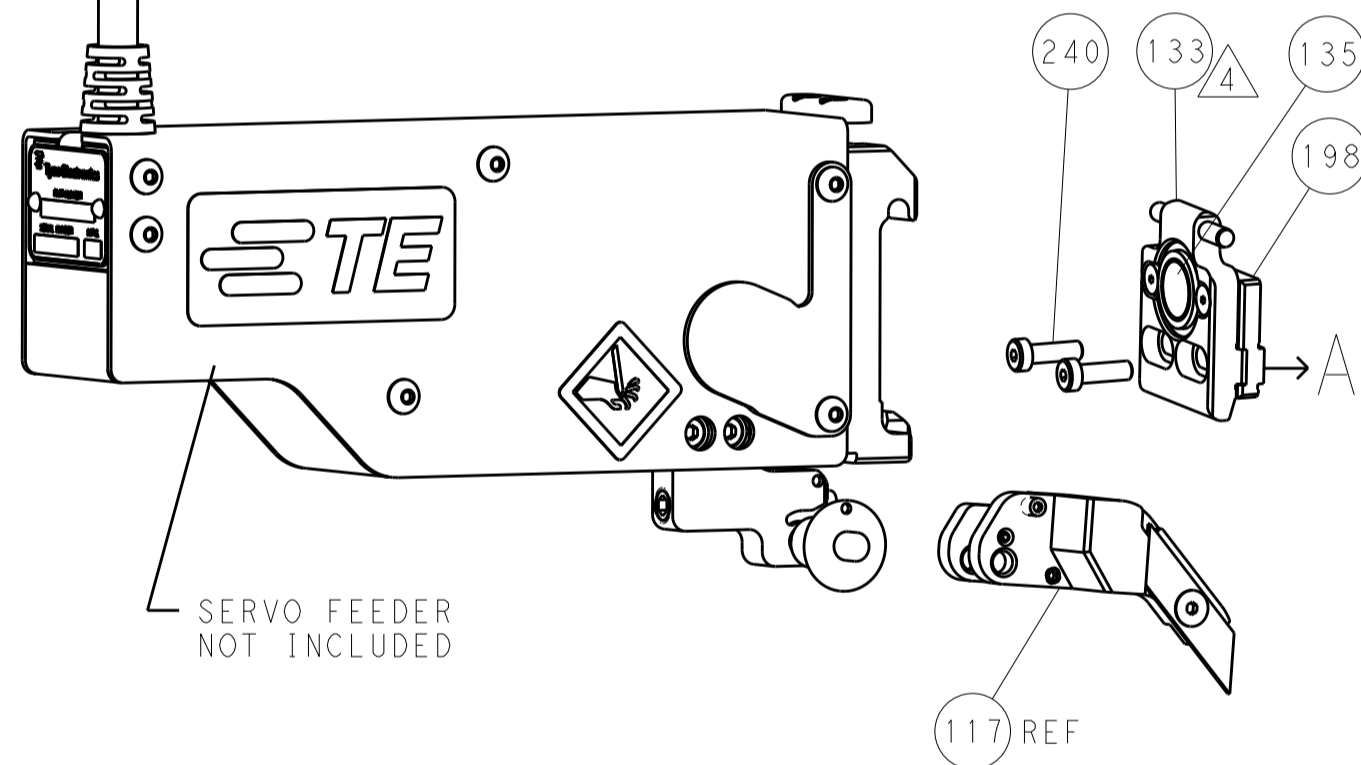
FEED TYPE MECHANICAL



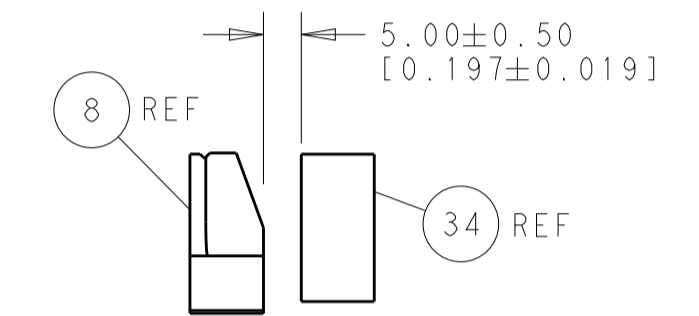
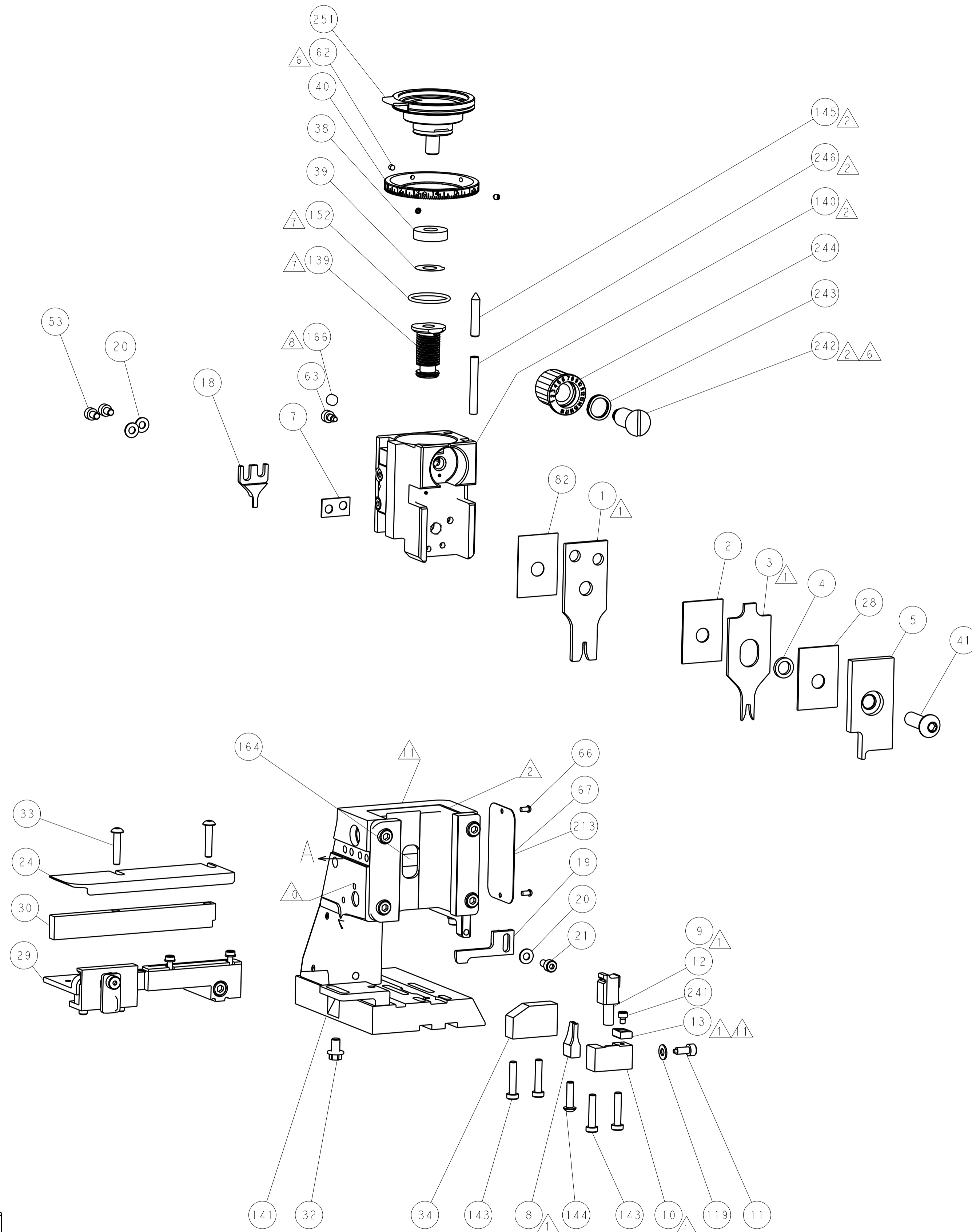
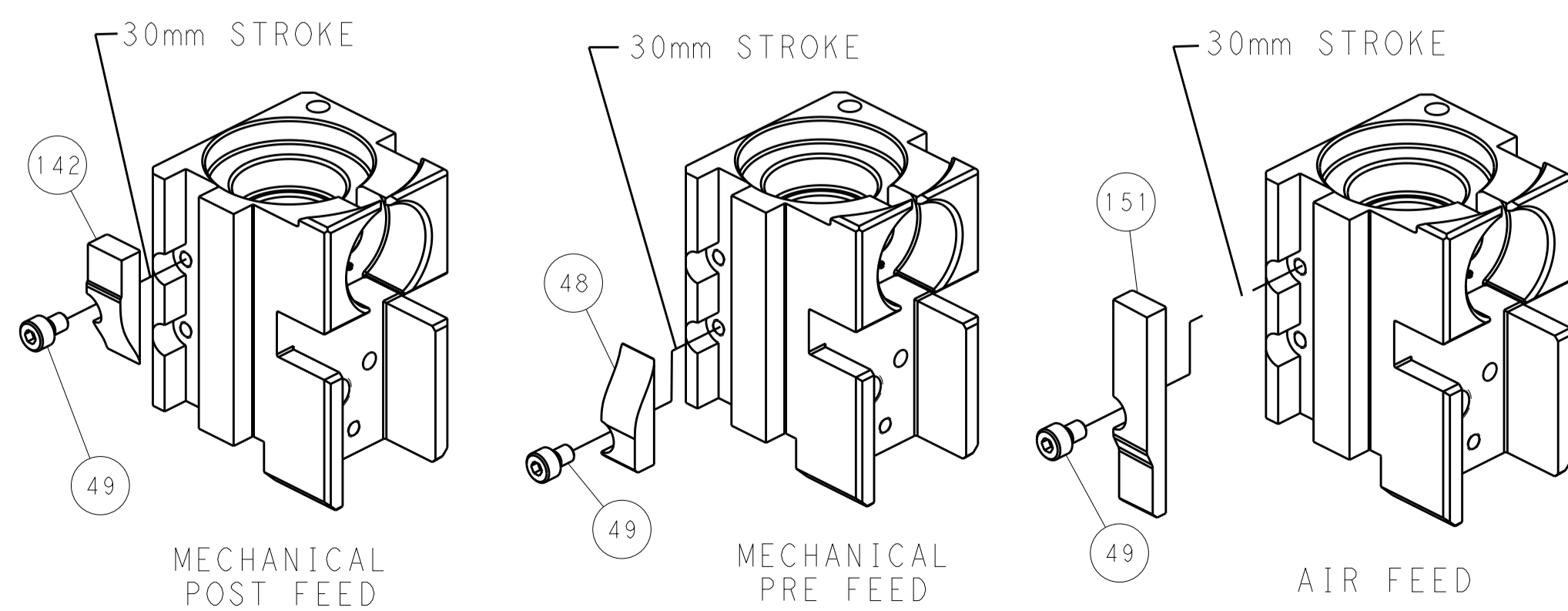
PNEUMATIC



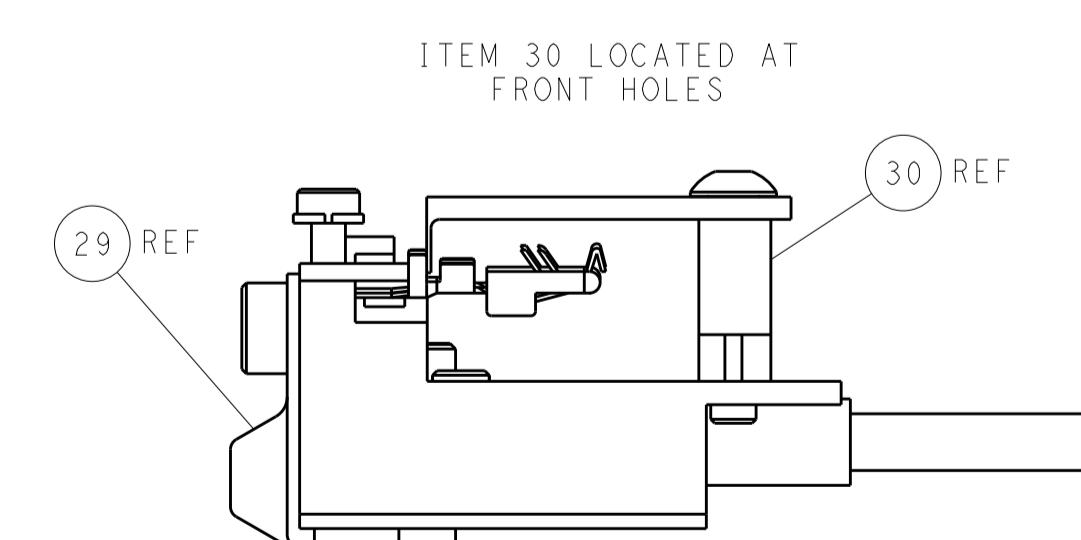
SERVO LATCH PLATE



CAM POSITIONS



TERMINAL SUPPORT LOCATION



FEED TRACK POSITION GUIDE BY INSULATION BARREL

PACIFIC VERSION
 Shown on sheets 3 of 4 & 4 of 4
 (Atlantic version shown on sheets 1 of 4 & 2 of 4)

<small>THIS DRAWING IS UNPUBLISHED. RELEASED FOR PUBLICATION. IT IS THE PROPERTY OF TYCO ELECTRONICS CORPORATION. IT IS TO BE USED TO CONTROL THE PRODUCTION AND ASSEMBLY OF THE ORGANIZATION SHOWN BY CONTACTING THE COMPANY.</small>		DWN: HOFFNER 29APR2013 CHK: TELBIN 30APR2013 APVD: TELBIN 30APR2013	TE Connectivity Harrisburg, PA 17105-3608
DIMENSIONS: mm TOLERANCES UNLESS OTHERWISE SPECIFIED: 0 PLC ±0.1 1 PLC ±0.1 2 PLC ±0.02 3 PLC ±0.005 4 PLC ±0.0005 ANGLES ±0.0005		NAME: Ocean Side Feed Applicator PRODUCT SPEC: APPLICATION SPEC: WEIGHT:	SIZE: A CAGE CODE: 00779 DRAWING NO: 2151947 SCALE: 1:1 SHEET: 4 of 4 REV: A
MATERIAL:		RESTRICTED TO:	Customer Accessible Production Drawing