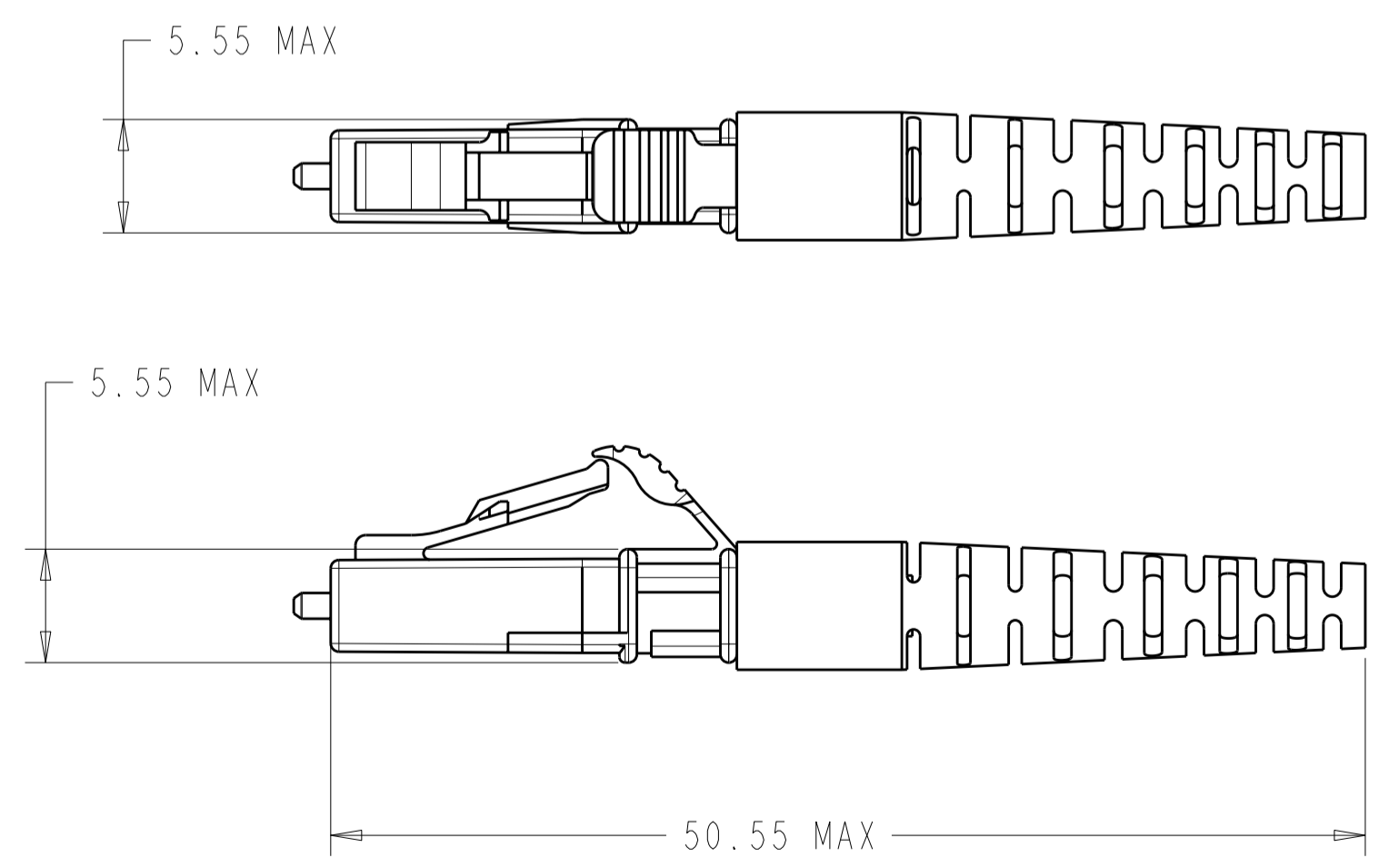
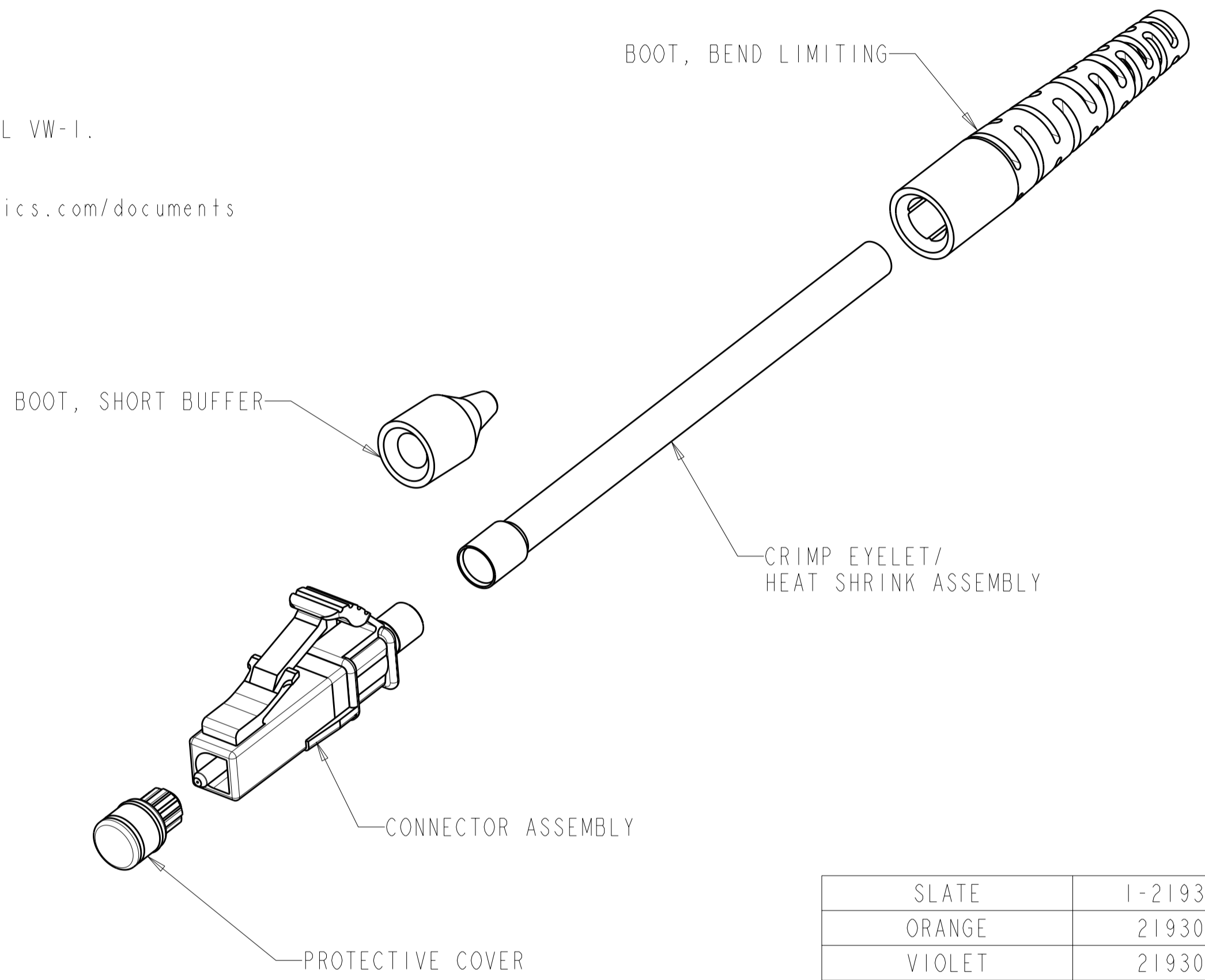


THIS DRAWING IS UNPUBLISHED. RELEASED FOR PUBLICATION 20
 © COPYRIGHT 20 BY - ALL RIGHTS RESERVED.

LOC	DIST	REVISIONS			
P	LTR	DESCRIPTION	DATE	DWN	APVD
HM	00	A	RELEASE ECO-11-010691	31MAY2011	LH DK

⚠ MATERIAL: PROTECTIVE COVER: TPE, COLOR:BLACK, UL 94 V-0 *
 FERRULE SUB ASSEMBLY: ZIRCONIA/METAL.
 COMPRESSION SPRING: STAINLESS STEEL.
 HOUSING: PPSU, COLOR:SEE DASH NO'S.
 INNER TUBING: PTFE, COLOR:CLEAR, UL VW-1.
 REAR BODY:METAL.
 BOOT: PP, COLOR:BEIGE, UL 94 V-0. *
 CRIMP EYELET/HEAT SHRINK ASSY: ALUM. ALLOY, HEAT SHRINK: POLYOLEFIN, UL VW-1.
 *RATED AT QUALIFYING THICKNESS.

2. INSTRUCTION SHEET: 408-8675 AVAILABLE FOR DOWNLOAD AT www.tycoelectronics.com/documents
 OR www.ampnetconnect.com/foguide.



SLATE	1-2193005-0
ORANGE	2193005-9
VIOLET	2193005-8
BROWN	2193005-7
AQUA	2193005-6
ROSE	2193005-5
BLUE	2193005-4
GREEN	2193005-3
YELLOW	2193005-2
RED	2193005-1
COLOR	PART NO

THIS DRAWING IS A CONTROLLED DOCUMENT.

DWN	L. HALL	27MAY2011	TE Connectivity		
CHK	D. KIRSCH	31MAY2011			
APVD	D. KIRSCH	31MAY2011			
PRODUCT SPEC					
MATERIAL			NAME	KIT, CONNECTOR, LC SECURE SIMPLEX,MM, 250um, 900um BUFFER, 1.6-2.0mm, JACKET	
DIMENSIONS:	TOLERANCES UNLESS OTHERWISE SPECIFIED:		APPLICATION SPEC	SIZE	A2
mm	0 PLC ±	1 PLC ±0.1	WEIGHT	CAGE CODE	00779
	2 PLC ±0.01	3 PLC ±	CUSTOMER DRAWING	DRAWING NO	C-2193005
	4 PLC ±	ANGLES ±	SCALE	3:1	SHEET 1 OF 1
	FINISH ±		RESTRICTED TO		REV A