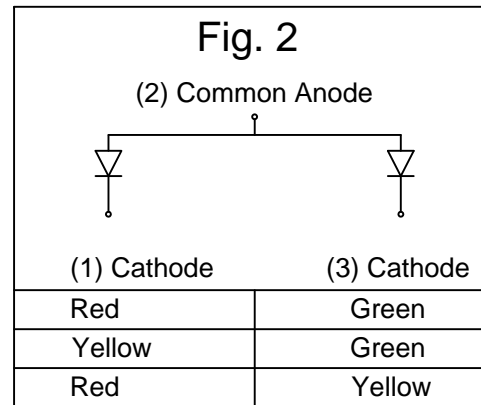
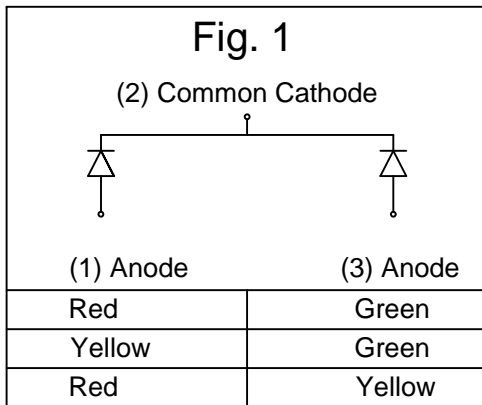
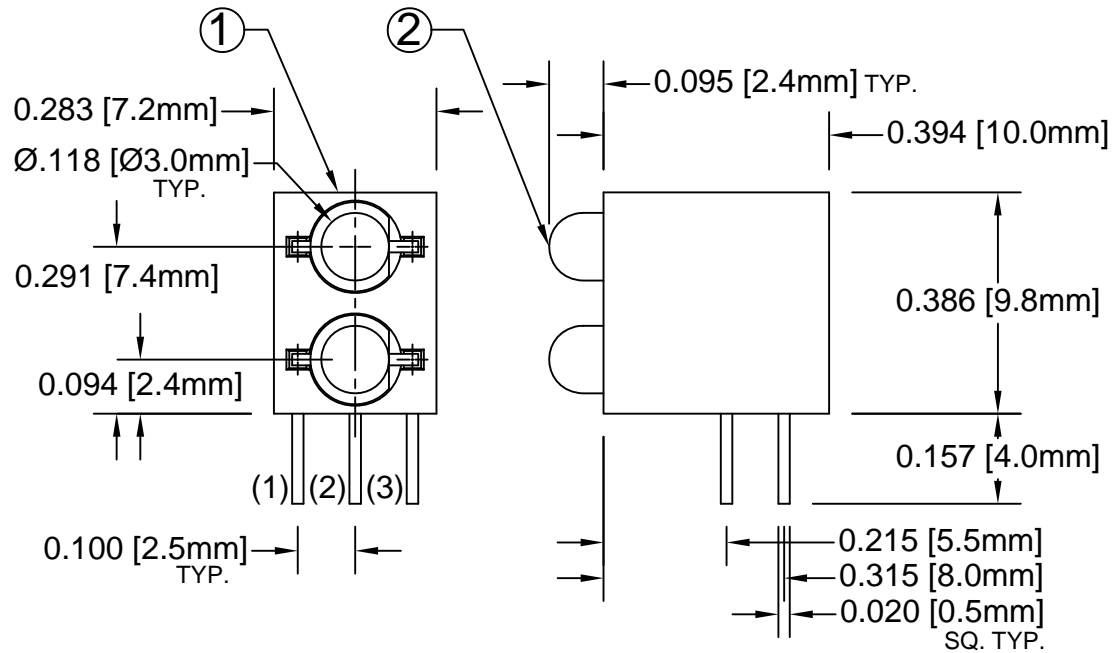
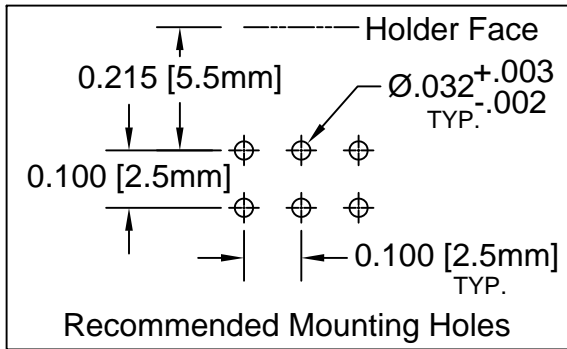


| ITEM | Q'TY | PART NUMBER | PART DESCRIPTION |
|------|------|--------------|--|
| 1 | 1 | H-280C | T-1 (3mm) Bi-Level Tri-Lead LED Holder, 90° Mount |
| 2 | 2 | 3BC-3-XXXX-F | T-1 (3mm) Bi-Color/Tri-Color Flanged LED, See Page 2 |

| REV. | DESCRIPTION | DATE | APPROVED |
|------|--------------------------------|----------|----------|
| A | Engineering Update w/o Changes | 03/05/04 | M. C. |
| B | Removed Fig. 3 | 04/05/05 | M. C. |
| C | Engineering Update w/o Changes | 06/22/16 | J. C. |





ABSOLUTE MAXIMUM RATINGS (Ta=25° C)

| | | |
|---|-------|----------------------|
| REVERSE VOLTAGE | _____ | 5V |
| REVERSE CURRENT | _____ | 100uA |
| OPERATING TEMPERATURE RANGE | _____ | -25° C - 85° C |
| STORAGE TEMPERATURE | _____ | -30° C - 100° C |
| LEAD SOLDERING TEMPERATURE(1/16" FROM BODY) | _____ | 260° C FOR 5 SECONDS |

| STANDARD TOLERANCE (UNLESS OTHERWISE SPECIFIED) | | BIVAR® | |
|--|--------------------------|---|-----------------------|
| DECIMALS | ANGULAR | 4 THOMAS, IRVINE, CA. 92618 | |
| .X ± .1 | X° ± 1° | TEL: (949) 951-8808 FAX: (949) 951-3974 | |
| .XX ± .02 | | TITLE: T-1 (3MM) BI-COLOR 3 LEAD | |
| .XXX ± .010 | | 90° BI-LEVEL LED ASSY | |
| DESIGNED: D. Green | DATE: 03/05/04 | PART NO: H280CBCXXXX | REVISION: C |
| CHECKED: M. Chen | DATE: 03/05/04 | CAGE CODE : 32559 | SHEET # 1 OF 2 |
| CAD GENERATED DOCUMENT. DO NOT MEASURE DRAWING. | | | |

| | | | |
|------|--------------|------|----------|
| REV. | DESCRIPTION | DATE | APPROVED |
| | SEE SHEET #1 | | |
| | | | |

| LED Assy. No. | Peak Wave Length λ_p (nm) | Emitted Color | Lens Appearance | Abs. Max. Rating | Electro-Optical Data @ 20m A | | | Viewing Angle $2\theta_{1/2}$ (Deg) | LED P/N |
|----------------------------|--------------------------------------|---------------|-----------------|------------------|------------------------------|-----|-------------|---|----------------|
| | | | | If (mA) | Vf (V) | | Iv (mcd) | | |
| | | | | | TYP | MAX | TYP | | |
| H280CBC (Fig. 1) | 635 | HE RED | WHITE DIFFUSED | 30 | 2.0 | 2.6 | 35.0 | 40 | 3BC-3-F |
| | 568 | GREEN | | 30 | 2.2 | 2.6 | 35.0 | | |
| H280CBC-Y/G (Fig. 1) | 585 | YELLOW | WHITE DIFFUSED | 30 | 2.1 | 2.6 | 30.0 | 40 | 3BC-3-Y/G-F |
| | 568 | GREEN | | 30 | 2.2 | 2.6 | 35.0 | | |
| H280CBC-CA (Fig. 2) | 635 | HE RED | WHITE DIFFUSED | 30 | 2.0 | 2.6 | 35.0 | 40 | 3BC-3-CA-F |
| | 568 | GREEN | | 30 | 2.2 | 2.6 | 35.0 | | |
| H280CBC-Y/G-CA (Fig. 2) | 585 | YELLOW | WHITE DIFFUSED | 30 | 2.1 | 2.6 | 30.0 | 40 | 3BC-3-Y/G-CA-F |
| | 568 | GREEN | | 30 | 2.2 | 2.6 | 35.0 | | |

| | | | |
|--|--------------------------|--|-----------------------|
| STANDARD TOLERANCE (UNLESS OTHERWISE SPECIFIED) $\pm 10\%$ ALL VALUES ANGULAR | |  4 THOMAS, IRVINE, CA. 92618 TEL: (949) 951-8808 FAX: (949) 951-3974 | |
| | |  TITLE: T-1 (3MM) BI-COLOR 3 LEAD 90° BI-LEVEL LED ASSY | |
| DESIGNED: T. Yin | DATE: 03/05/04 | PART NO: H280CBCXXXX | REVISION: C |
| CHECKED: D. Green | DATE: 03/05/04 | CAGE CODE : 32559 | SHEET # 2 OF 2 |
| CAD GENERATED DOCUMENT. DO NOT MEASURE DRAWING. | | | |