

CHART				
PART NO.	DESCRIPTION	FIGURE	DIM. "A"	DIM. "B"
PD3MRML1	FRONT MOUNT	FIG A	.867	.600
PD3MRML2	REAR MOUNT	FIG B	.965	.600
PD3MRML3	FRONT MOUNT	FIG C	.867	.600
PD3MRMS1	FRONT MOUNT	FIG A	.867	.488
PD3MRMS2	REAR MOUNT	FIG B	.965	.488
PD3MRMS3	FRONT MOUNT	FIG C	.867	.488

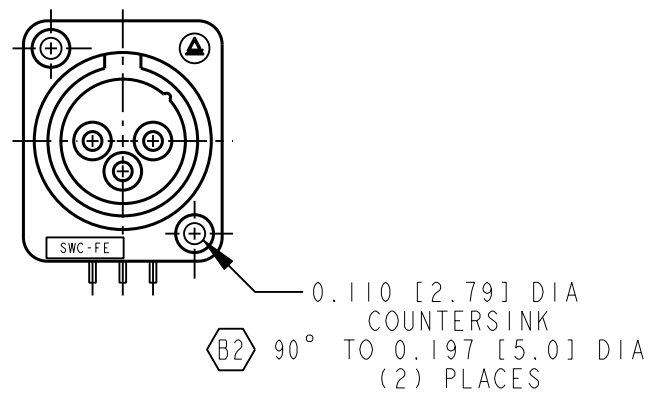


FIG A

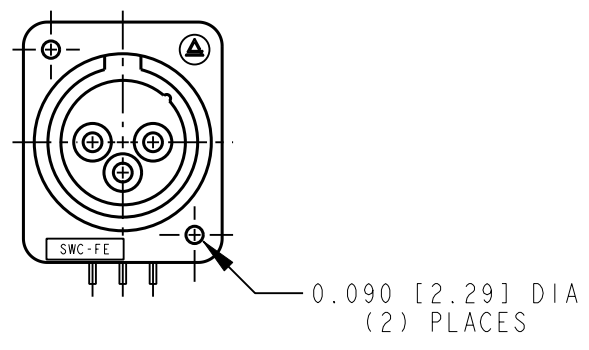


FIG B

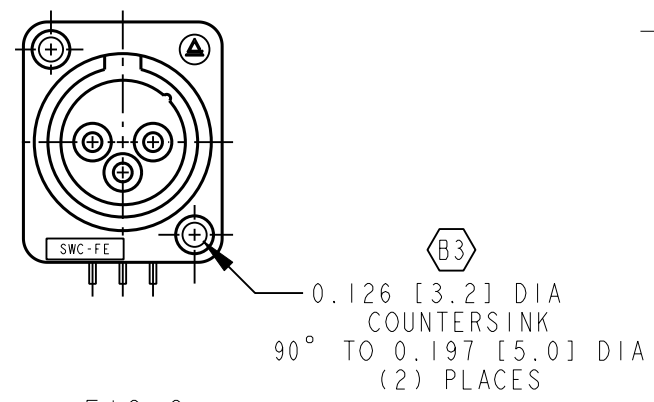
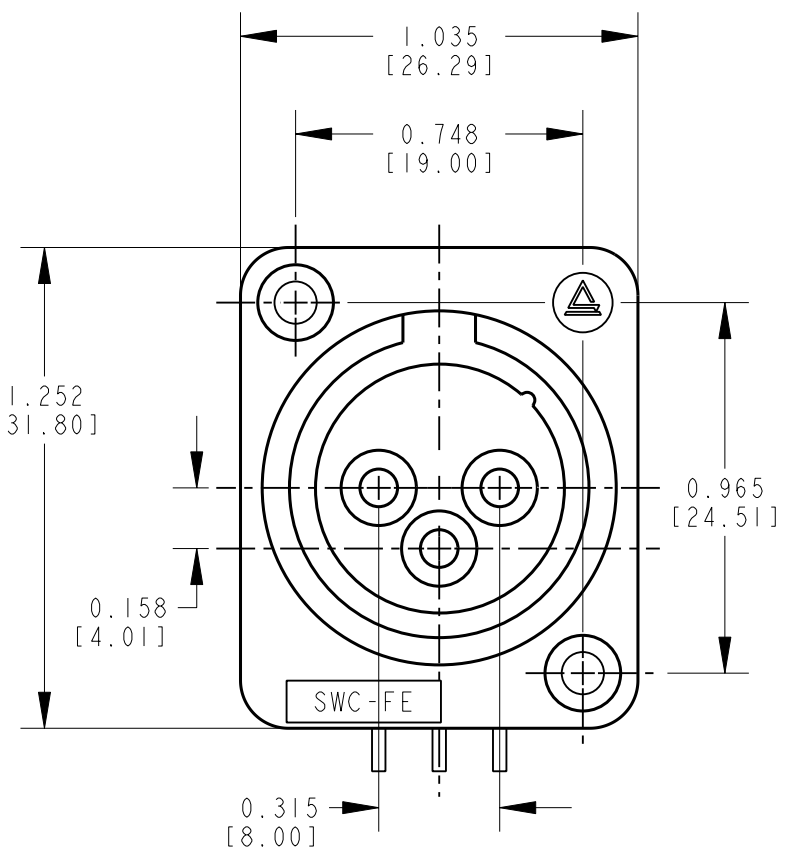
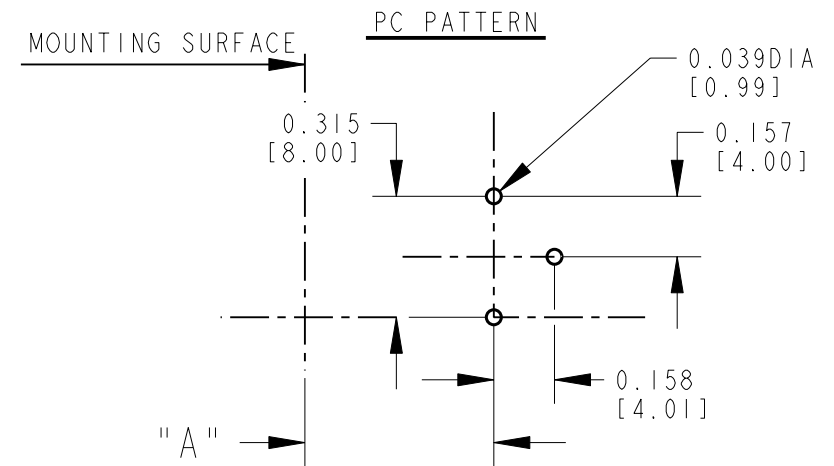
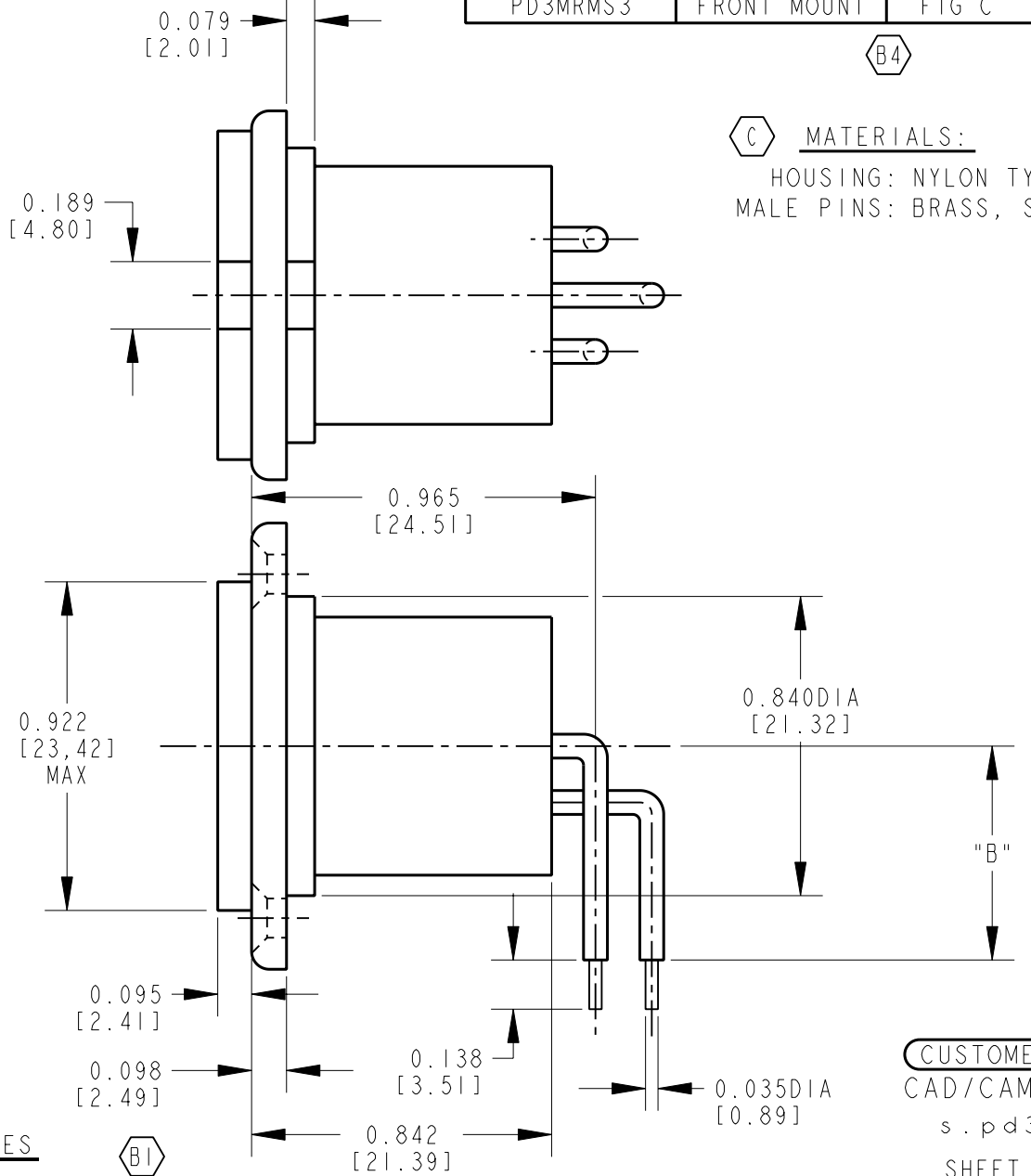


FIG C

SCALE: 1=1



DIMENSIONS TYP FOR ALL FIGURES



C MATERIALS:
HOUSING: NYLON TYPE 66
MALE PINS: BRASS, SILVER PLATED

CUSTOMER DRAWING
CAD/CAM DWG. NO.
s.pd3mrm_cd
SHEET 1 OF 1

<p>★ STAR SYMBOL DENOTES CRITICAL DIMENSION. SEE S/C ENGINEERING STANDARD ES-0001</p>				<p>THIS DRAWING DESCRIBES A DESIGN CONSIDERED PROPRIETARY IN NATURE, DEVELOPED AND MANUFACTURED BY SWITCHCRAFT INC. AND IS RELEASED ON A CONFIDENTIAL BASIS FOR IDENTIFICATION PURPOSE ONLY.</p>				
UNLESS OTHERWISE SPECIFIED				SIZE	WIDTH	MULT	LBS./M	TEMPER
<p>1. ALL DIMENSIONS IN INCHES 2. DECIMAL DIMENSIONS ±.005 3. FRACTIONAL DIMENSIONS ±.005 4. ANGLES ±1/2° 5. ALL DIA'S CONCENTRIC WITHIN .005 T.I.R. 6. REMOVE ALL BURRS 7. MAKE NO DIMENSIONAL ALLOWANCES FOR APPLIED FINISHES, I.E., PLATING, PAINTING, ETC. 8. HOLES ON THE SAME CENTERLINE MUST BE ALIGNED WITHIN ±.002</p>				FINISH		MATERIAL		<p>Switchcraft®</p>
<p>REVISIONS</p>				SPEC. NO.		SPEC. NO.		
<p>DO NOT SCALE DRAWING</p>				FIRST USED ON		SCALE		
C	ECO#17911	10-27-92	LR	GHJ	DATE DRAWN	BY	CHK'D	APP'D
B	ECO#17107	9-27-91	LR	EAF	2-25-91	LR	THS	GHJ
A	RELEASE TO PROD.	2-25-91	LR	GHJ	3-25-91		3-25-91	
ISSUE	CHANGE NO.	DATE	BY	APP'D	NAME			PART NO.
				MALE 3 CONTACTS RIGHT ANGLE OG CONNECTOR			PD3MRM SERIES	

