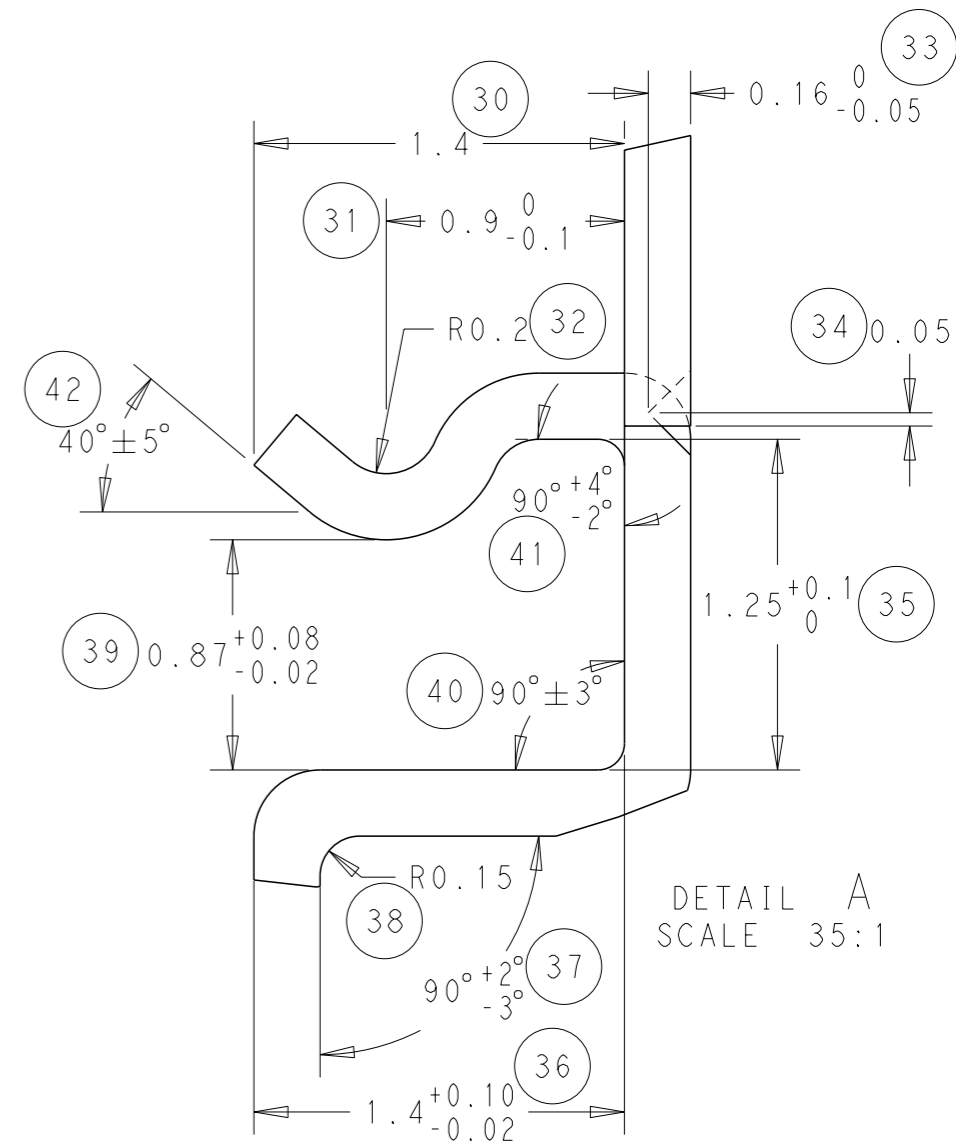
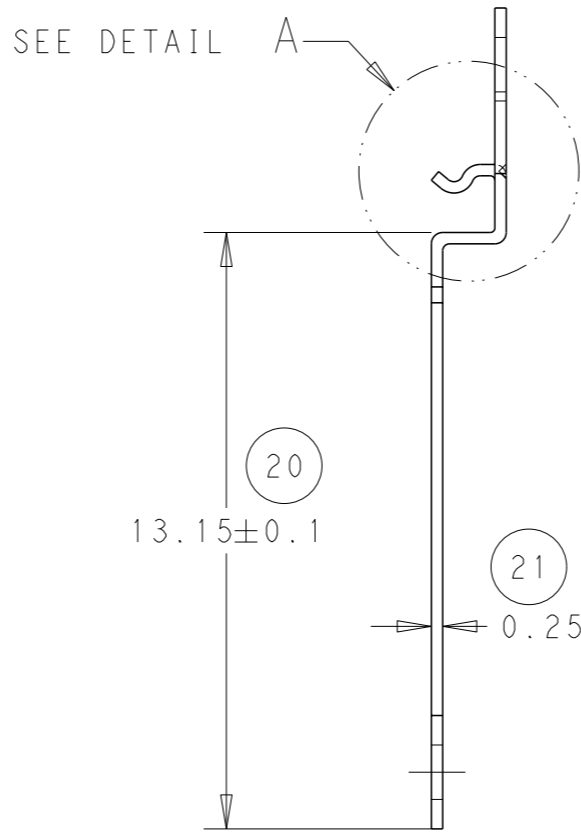
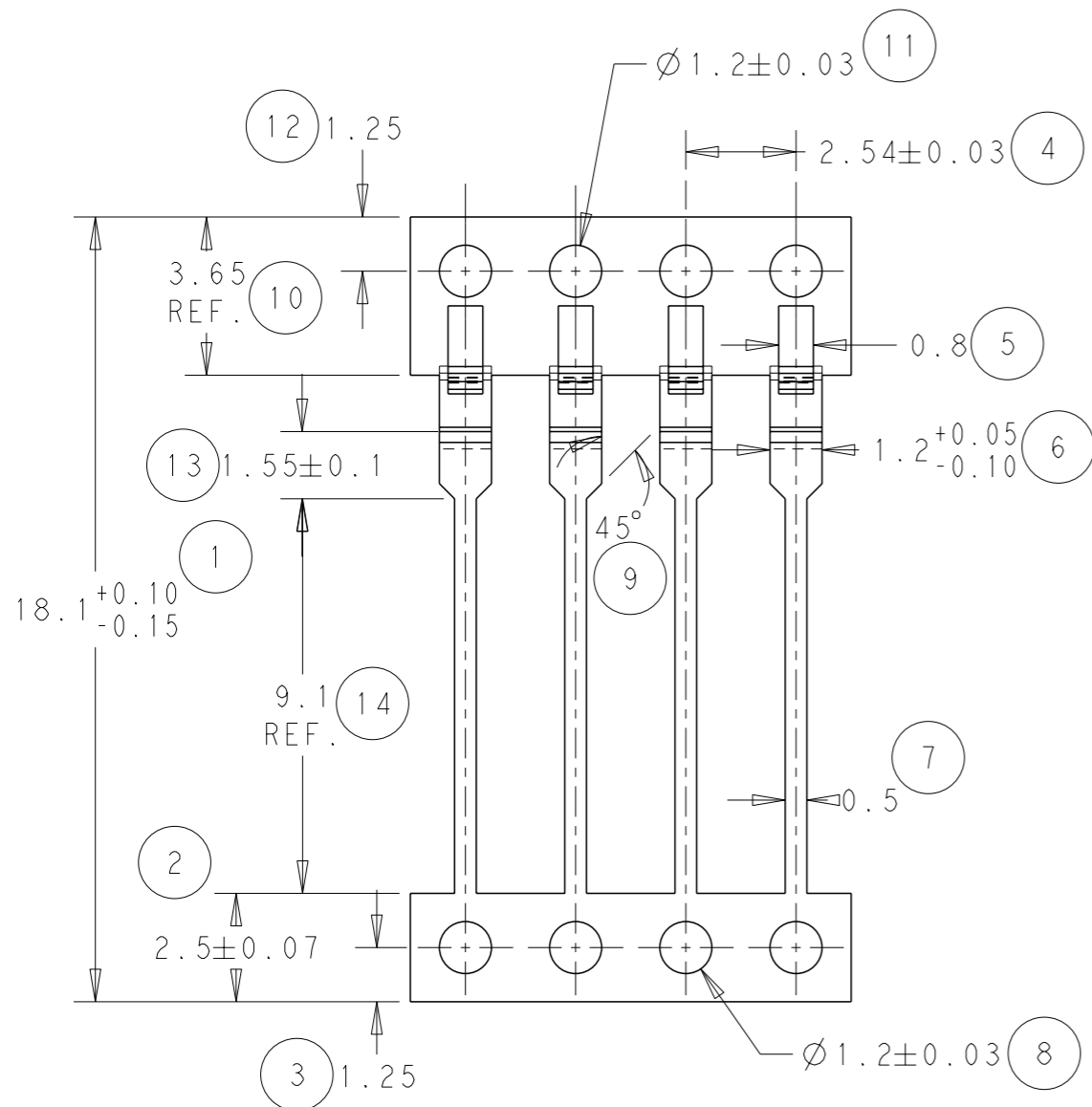
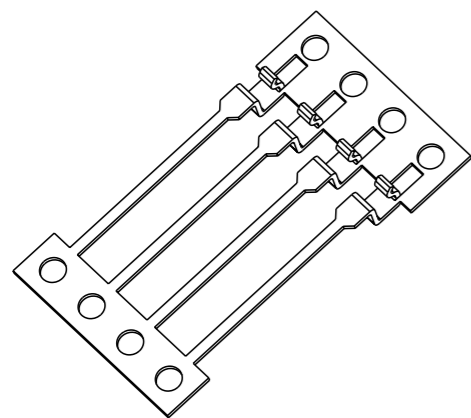


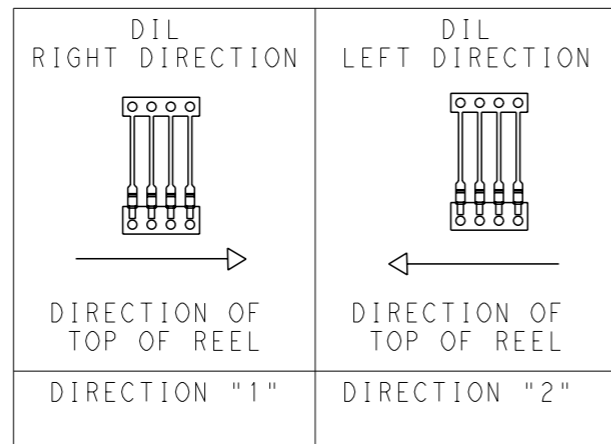
LOC	DIST	REVISIONS				
P	LTR	DESCRIPTION	DATE	DWN	APVD	
B	-	D	ECR-11-018847	13/09/11	JB	MG



NOTE
 BOWING: AFTER UPPER TIE BAR REMOVAL- 1.5mm MAX. FOR 500mm
 PITCH: AFTER UPPER TIE BAR REMOVAL- 2.54±0.127



SCALE 3:1



THIS DRAWING IS A CONTROLLED DOCUMENT.

DIMENSIONS:
mm

TOLERANCES UNLESS OTHERWISE SPECIFIED:

0 PLC	±-
1 PLC	±-
2 PLC	±0.05
3 PLC	±-
4 PLC	±-
ANGLES	±0.5
FINISH	-

MATERIAL SEE ABOVE

DWN	J. BRIGHT	12/09/11
CHK	M. GREENER	12/09/11
APVD	D. PENNINGTON	12/09/11

PRODUCT SPEC	-
APPLICATION SPEC	-
WEIGHT	-

Ni & Sn		1544443-4
Sn		1544443-3
Ni & Sn		1544443-2
Sn		1544443-1
REELING	FINISH	PART NUMBER
STE TE Connectivity		
NAME DIL CONTACT		
SIZE	CAGE CODE	DRAWING NO
A3	00779	C-1544443
CUSTOMER DRAWING		SCALE NTS SHEET 1 OF 1 REV D